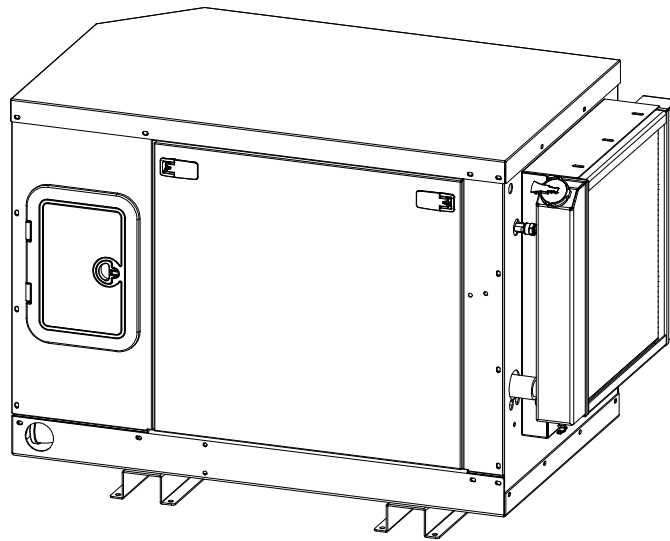




## Parts List

# PTi-20Si-T4F-3



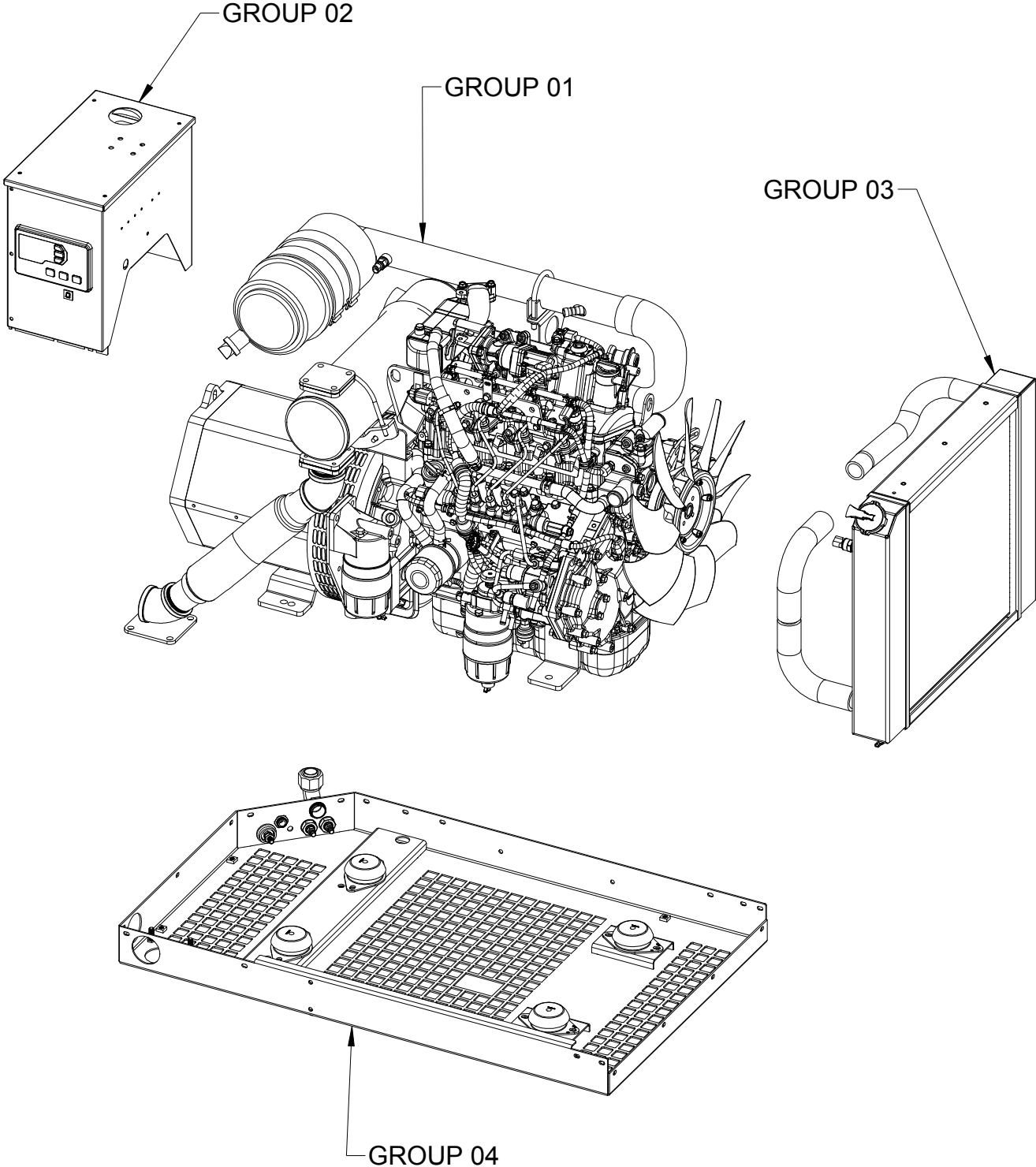
Power Technology Southeast  
634 SR 44 W  
Leesburg, FL 34748  
Phone: 800-760-0027  
Fax: 352-787-5545  
[www.powertechparts.com](http://www.powertechparts.com)

We recommend that you contact an authorized Power Technology S.E. dealer for all maintenance and repairs of the generator. If you perform any maintenance or repairs, first disconnect the battery and/or lock out the ignition to prevent unintentional start-up. Unintentional start-up can result in serious injury and/or death.

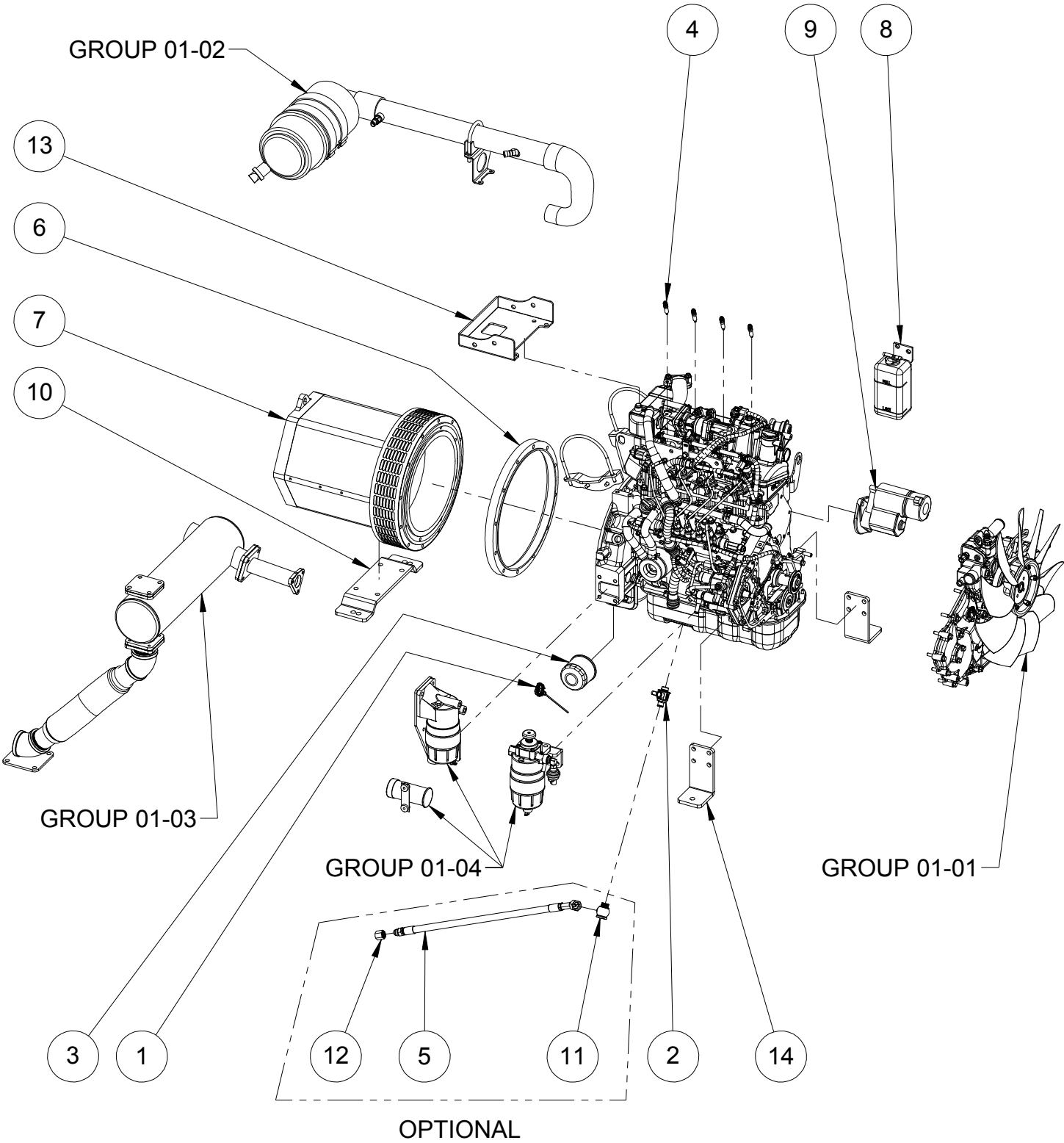
Use only Power Technology parts. Other parts may not perform as well, may damage the generator set, and may result in injury. In addition, use of other parts may void your warranty.

This parts list was current at the time of printing. Production changes and installed options may result in changes that are not covered in this parts list. Production units and associated parts are subject to change without notice. For the most up to date parts information, please contact the factory with the Power Tech model number and serial number.

# Group 00 (Complete Generator)



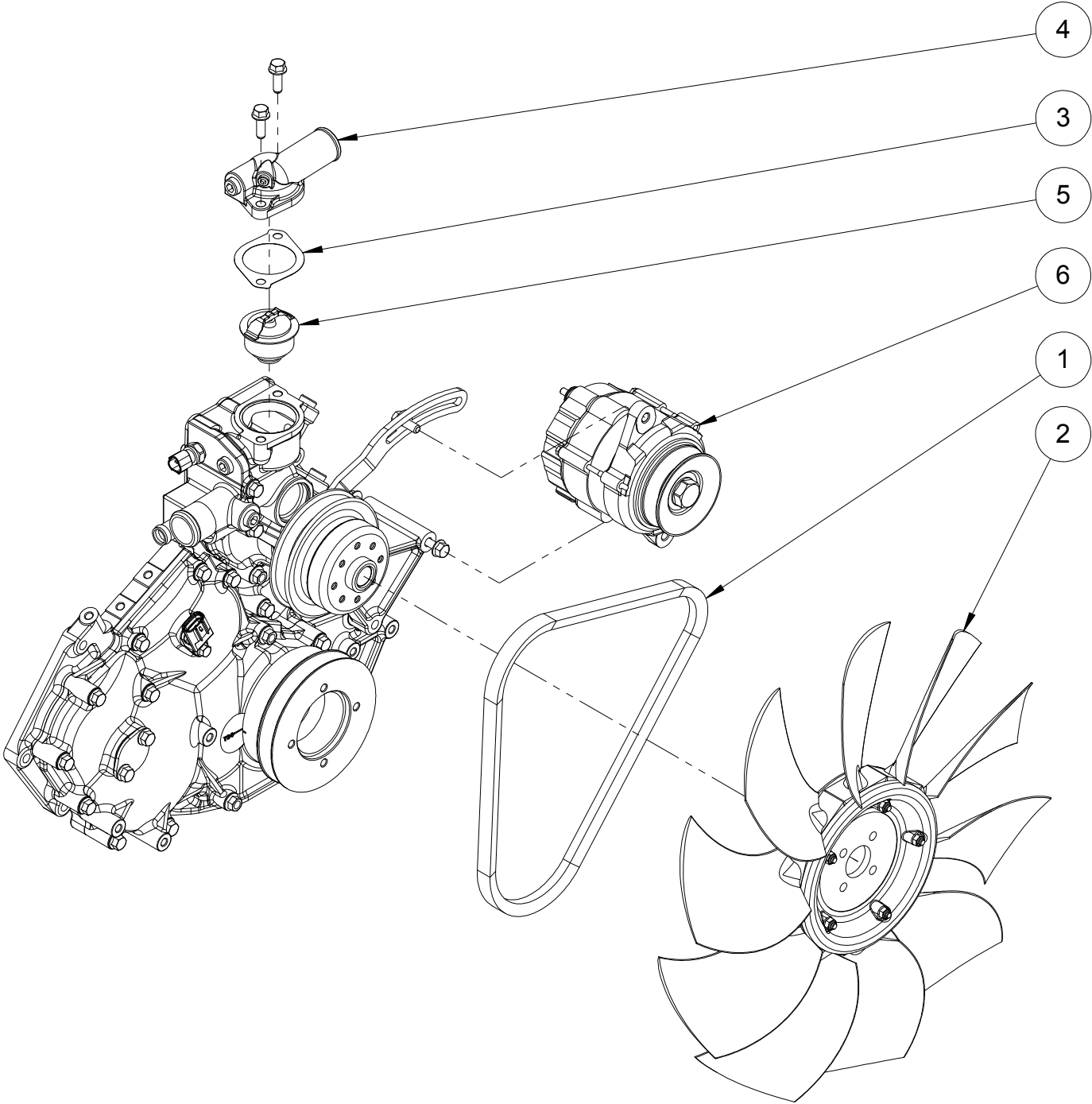
# Group 01 (Engine)



## Group 01 BOM (Engine)

ITEM	PART NUMBER	DESCRIPTION	QTY.
1	01DS4LEX	DIPSTICK, ISUZU, 4LEV05/4LE2X	1
2	01FEZ3H	VALVE, DRAIN, OIL, 20MMX1.5	1
3	01FO4LE	FILTER, OIL, ISUZU, 4LE2T	1
4	01GP4LEV05	GLOWPLUG, ISUZU, 4LEV05/4LE2X	4
5	01OD4LE2	HOSE ASSY, DRAIN, OIL, 4LE2, 24"	1
6	02GA00023	SPACER, RING, HOUSING, FLYWHEEL, SAE4 X SAE4, 1"	1
7	02GEN184E12W	GENERATOR, 22kW, SAE4, 12 WIRE	1
8	03WBKIT	KIT, BOTTLE, WATER RECOVERY, KUBOTA	1
9	05STR4LEV05	STARTER, ISUZU, 4LEV05, 12V	1
10	09PLTMS21S	PLATE, MOUNTING, GENERATOR	1
11	AB20M1.5	ADAPTOR, BANJO, 20mm X 1.5, -10 AN	1
12	C8J	CAP, JIC, 8	1
13	S-1605	BRACKET, MOUNTING, DOC	1
14	S-2197	FOOT, MOUNTING, ENGINE	2

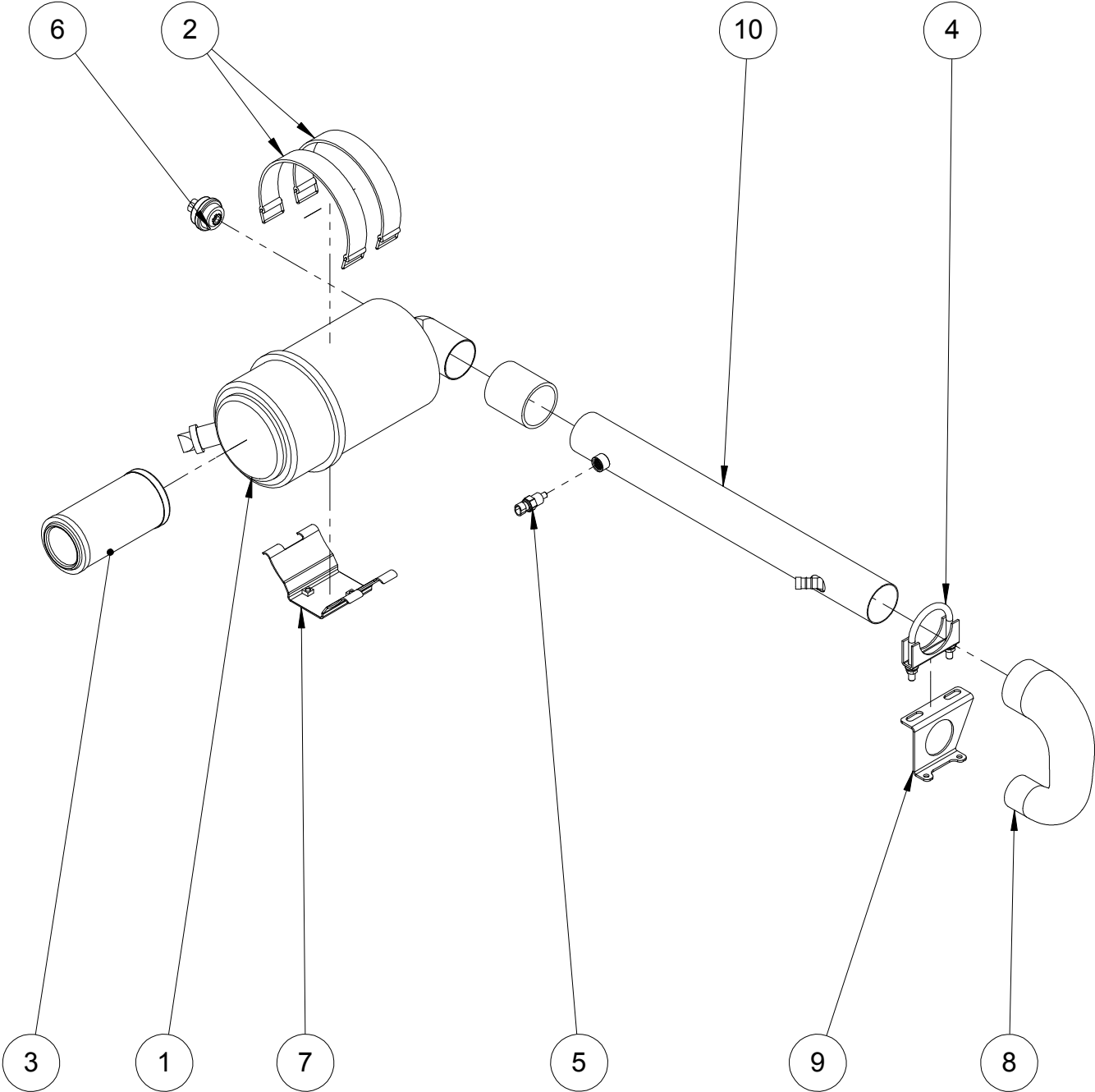
# Group 01-01 (Engine Front)



## **Group 01-01 BOM (Engine Front)**

<b>ITEM</b>	<b>PART NUMBER</b>	<b>DESCRIPTION</b>	<b>QTY.</b>
1	03BF4LEV05	BELT, DRIVE, FAN/ALT, ISUZU, 4LEV05/4LE2X	1
2	03FANPH4LE2X-30	FAN, PUSHER, ISUZU, 4LE2, 18.25" MW	1
3	03GKT4LEV05THM	GASKET, HOUSING, THERMOSTAT, ISUZU, 4LEV05/4LE2X	1
4	03H4LEV05	HOUSING, THERMOSTAT, ISUZU, 4LEV05, 90°	1
5	03THM4LEV05	THERMOSTAT, ISUZU, 4LEV05/4LE2X	1
6	05ALT4LEV05	ALTERNATOR, ISUZU, 4LEV05/4LE2X	1

# Group 01-02 (Intake)

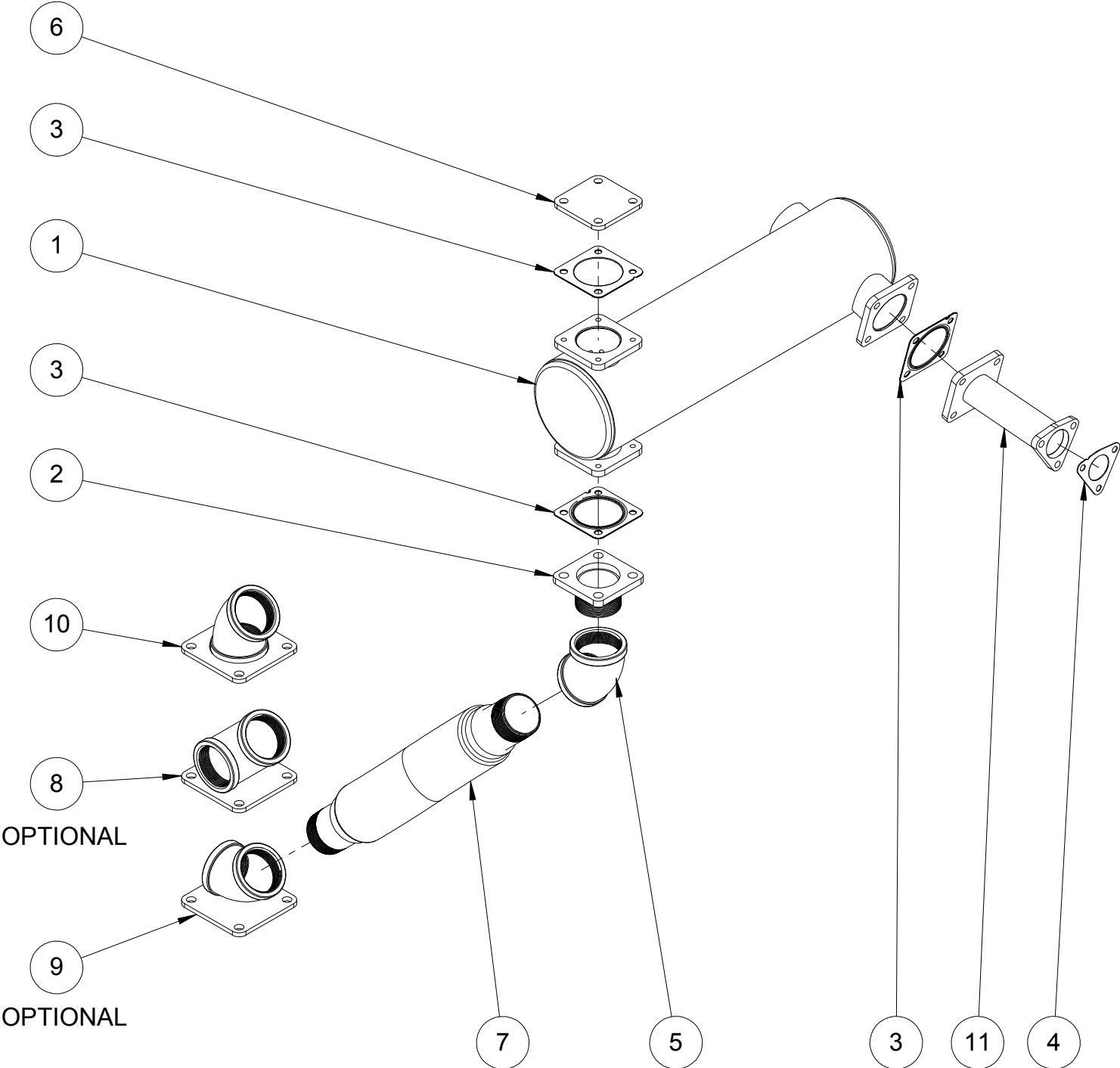




## Group 01-02 BOM (Intake)

ITEM	PART NUMBER	DESCRIPTION	QTY.
1	04AC2FW-90	HOUSING, FILTER, AIR, 2 1/2", 90°	1
2	04ACSTRAP	STRAP, FILTER, AIR	2
3	04FA2768	ELEMENT, FILTER, AIR, 04AC2FW-90	1
4	04MC212	CLAMP, MUFFLER, 2-1/2"	1
5	04SA4LEV05	SENSOR, INTAKE, 4LEV05	1
6	05SA22	SWITCH, RESTRICTION, AIR, 22"H2O	1
7	09BRKACCSAD	BRACKET, FILTER, AIR, SADDLE, KUB	1
8	S-2253	HOSE, FORMED, INTAKE, 1-1/2" TO 2-1/2", 180°	1
9	S-2610	BRACKET, PIPE, INTAKE, 4LE	1
10	SA-1243	PIPE ASSEMBLY, INTAKE, 2-1/2" X 24", 4LE2T	1
-	06PH1778-18	PIGTAIL, FILTER MINDER, 2- WIRE	1

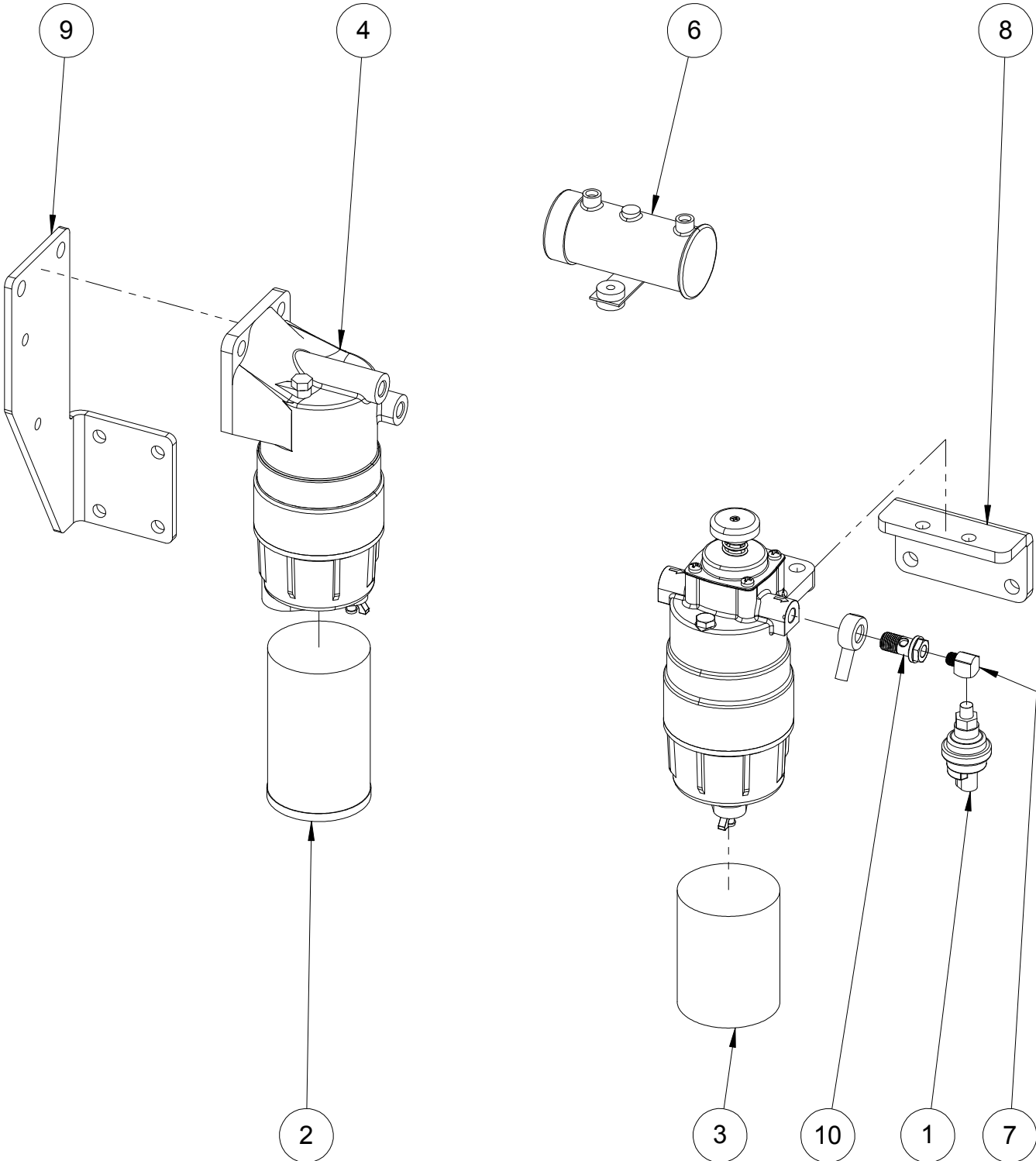
# Group 01-03 (Exhaust)



## Group 01-03 BOM (Exhaust)

ITEM	PART NUMBER	DESCRIPTION	QTY.
1	04DOC4LE-DOWN	DOC, 4LE2T/X, DOWNWARD EXIT	1
2	04EXFL3300	FLANGE ASSY, EXH, 4 BOLT, 2" NPTM	1
3	04GKT4LEDOC	GASKET, DOC, ISUZU, 4LE2	3
4	04GKT4LETURBO	GASKET, TURBO, ISUZU, 4LE2	1
5	BP2X45L	ELBOW, 45°, 2"	1
6	S-2249	PLATE, BLOCK OFF, DOC, ISUZU	1
7	SA-1260	PIPE, FLEX, BRAIDED, 2" X 16", M X M	1
8	SA-1261	FLANGE ASSY, EXHAUST, 2" NPT, SIDE OUT	1
9	SA-1262	FLANGE ASSY, EXHAUST, 2" NPT, END OUT	1
10	SA-1263	FLANGE ASSY, EXHAUST, 2" NPT, BOTTOM OUT	1
11	SA-1353	PIPE ASSEMBLY, TURBO TO DOC, 4LE2	1
-	04BLK3JU-26	BLANKET, DOC, ISUZU, 4LE2T/X , 3 PIECES	1
-	04BLKF21	BLANKET, PIPE, FLEX, 21" X 45DG X 3.375" ID	1
-	04BLKF512	BLANKET, PIPE, TURBO, 4LE2T/X, LACE-UP, 5.5"	1

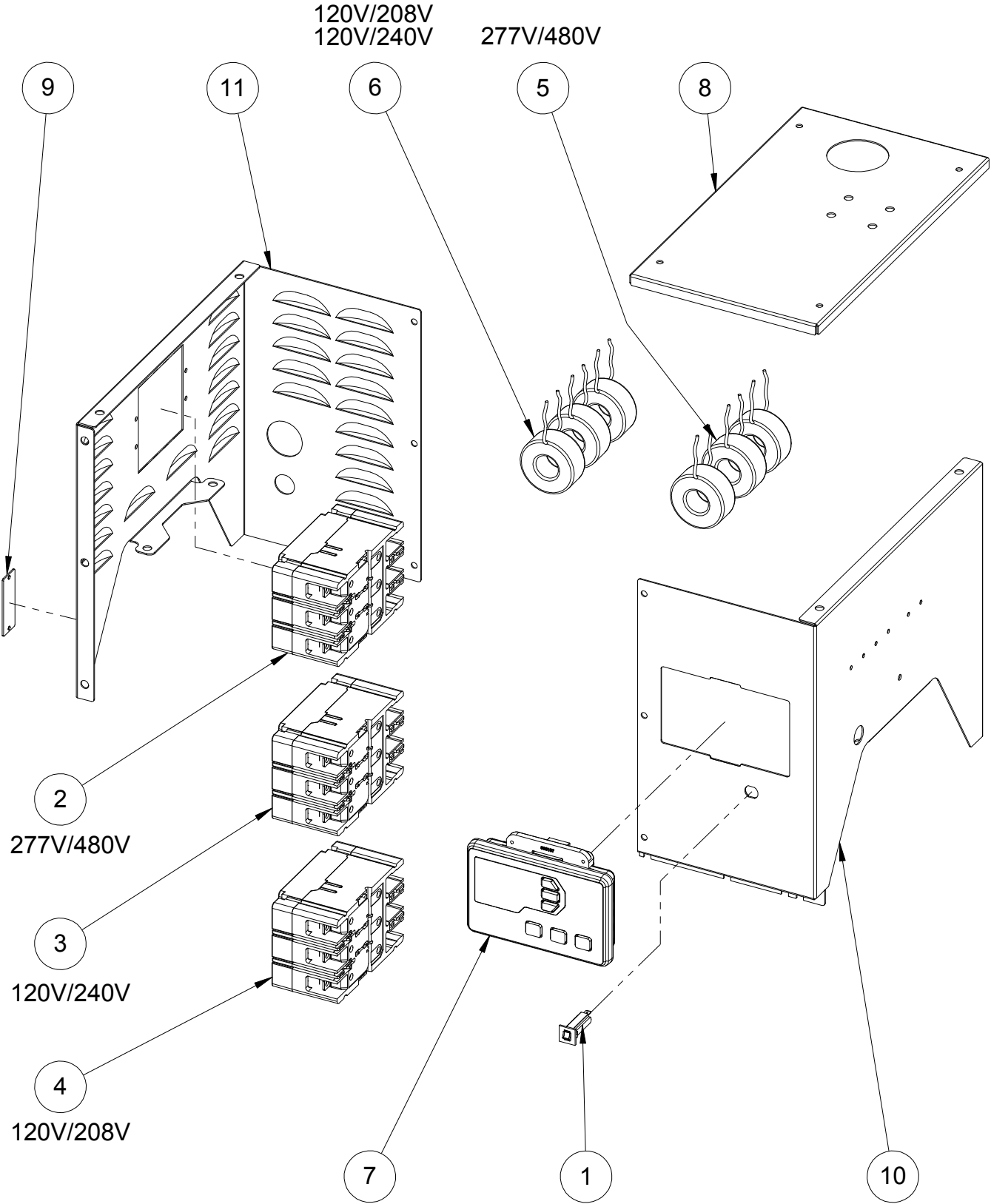
# Group 01-04 (Fuel)



## Group 01-04 BOM (Fuel)

ITEM	PART NUMBER	DESCRIPTION	QTY.
1	05SF30	SWITCH, RESTRICTION, FUEL, 30 KPA	1
2	08FF4LE-P	ELEMENT, FILTER, FUEL, PRE, 4LE2T/2X	1
3	08FF4LE-S	ELEMENT, FILTER, FUEL, SECONDARY, 4LE2T/2X	1
4	08FF4LEP	FILTER, FUEL, PRE, 4LE2T/2X	1
5	08FF4LES	FILTER, FUEL, SECONDARY, 4LE2T/2X	1
6	08PE4LE	PUMP, FUEL, ELECTRIC, 12V, 4LE	1
7	BR3400x2	ELBOW, 90°, STREET, BRASS, 1/8"	1
8	S-2192	BRACKET, FILTER, FUEL, BLOCK	1
9	S-2252	BRACKET, SEPARATOR, FUEL / WATER, ISUZU, 4LE	1
10	S-2612	FITTING, BANJO, M14, 1/8" NPT TAP	1
-	06PH1778-18	PIGTAIL, FILTER MINDER, 2- WIRE	1

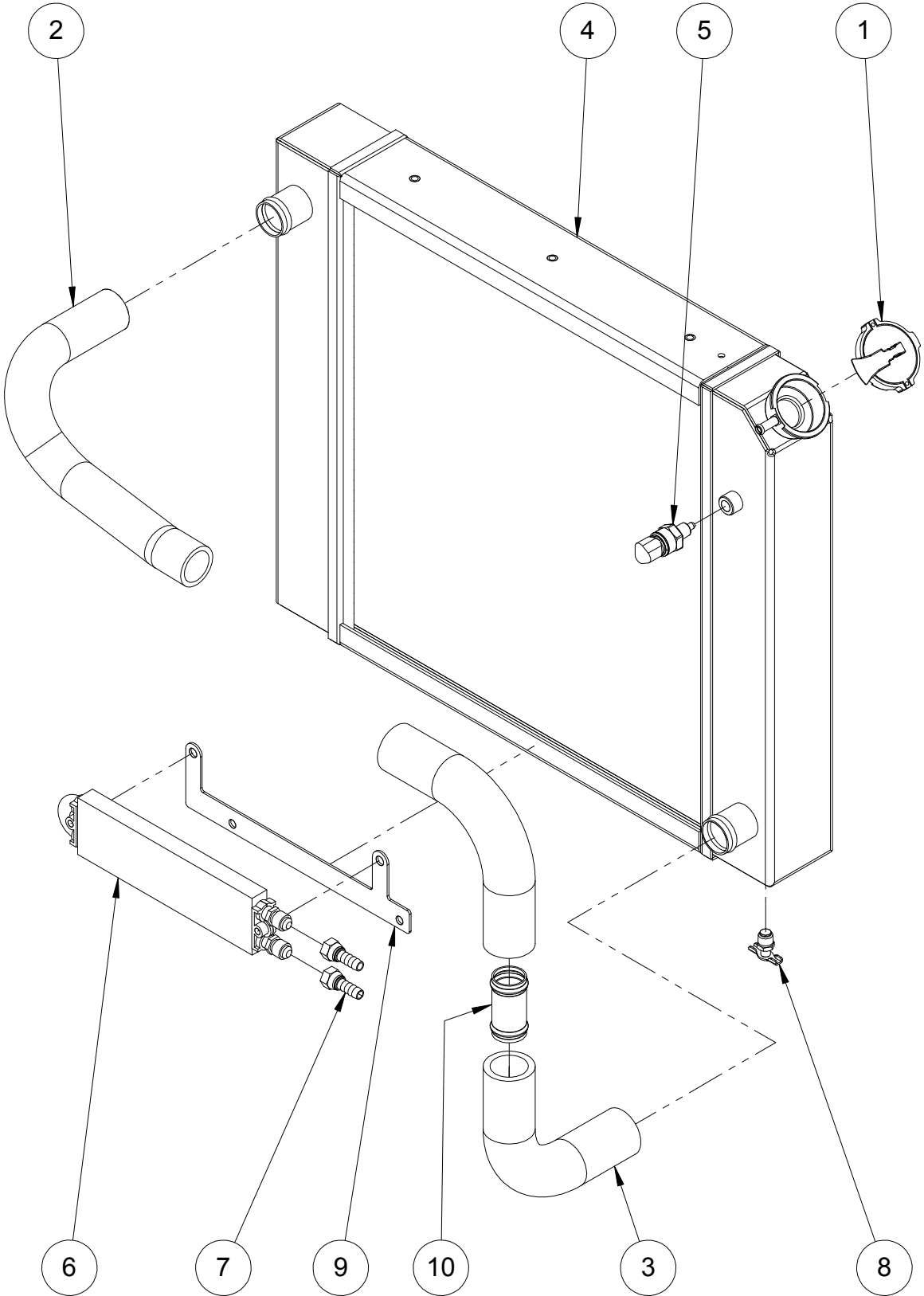
# Group 02 (Controls)



## Group 02 BOM (Controls)

ITEM	PART NUMBER	DESCRIPTION	QTY.
1	06BR5A-RESEW28	BREAKER, 5A, RESET, ROCKER	1
2	06BR30A3P	BREAKER, 30A, 3P. FG	1
3	06BR60A3P	BREAKER, 60A, 3P. FG	1
4	06BR70A3P	BREAKER, 70A, 3P. FG	1
5	06CT505	TRANSFORMER, CURRENT, 50:5	3
6	06CT1005	TRANSFORMER, CURRENT, 100:5	3
7	07TG410	CONTROLLER, ELECTRONIC, PTG410	1
8	S-2335	PANEL,CONTROL BOX,TOP	1
9	S-2880	PLATE, COVER, BREAKER, BLANK	1
10	S-2924	PANEL, FRONT, BOX, CONTROL, 184, TG, 3 POLE	1
11	S-2925	PANEL, REAR, BOX, CONTROL, 184, TG, 3 POLE	1
-	07HRN4LEC	HARNESS, CONTROL, ELECTRONIC ENGINE, 4LE	1
-	07HRNE4LE	HARNESS, ENGINE, 4LE	1
-	07LACTG	PIGTAIL, SENSING, AC, TG SERIES	1

# Group 03 (Radiator)



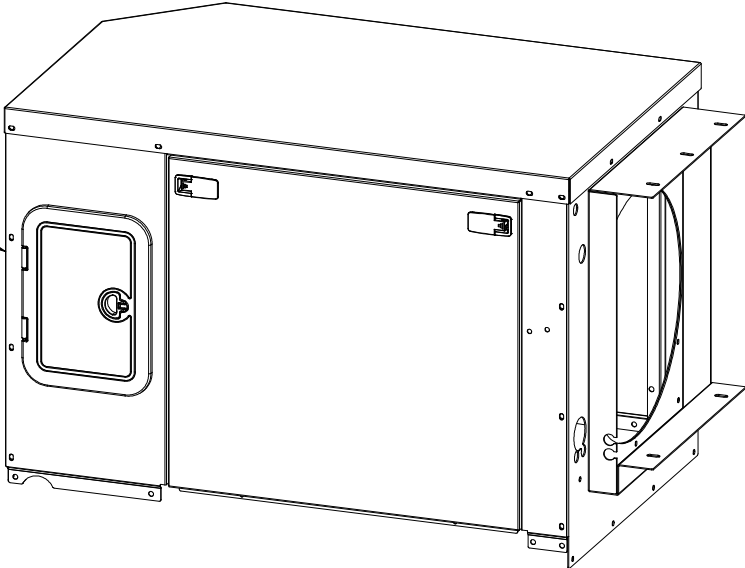


## Group 03 BOM (Radiator)

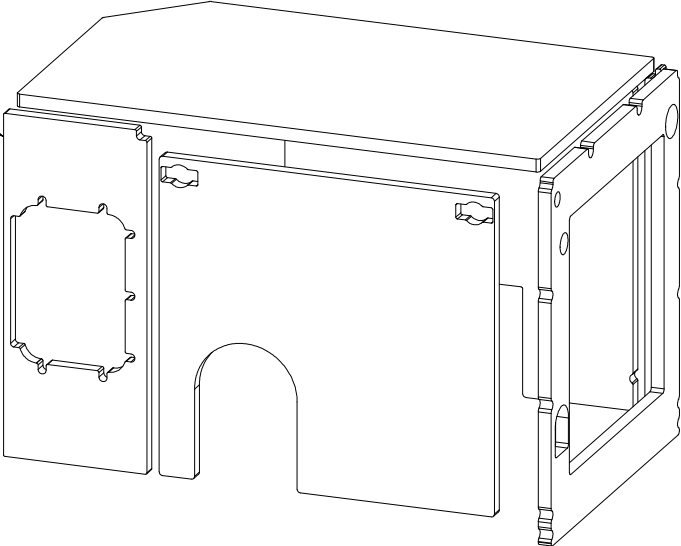
ITEM	PART NUMBER	DESCRIPTION	QTY.
1	03CSP13	CAP, RADIATOR, 13#, RELEASE	1
2	03HS0203U	HOSE, RADIATOR, UPPER	1
3	03HSU68900136	HOSE, RADIATOR, LOWER	2
4	03RAD710A13/8	RADIATOR, 710, ALUMINUM	1
5	05S240655	SENSOR, LWCO	1
6	08FC4130	COOLER, FUEL, 4LE	1
7	BR38HX6JIC	BARB, HOSE, BRASS, 3/8 X 6 JIC	2
8	BR145	DRAIN COCK, STRAIGHT, 1/4", BRASS	1
9	S-2150	BRACKET, FUEL COOLER	1
10	S-2482	PIPE, SPLICE, 1-1/4" X 2-1/2"	1
-	07HRNSLW	LEAD, SWITCH, LOW WATER	1

# Group 04 (Enclosure)

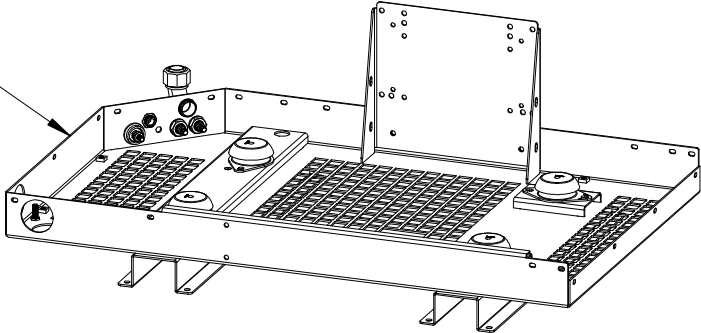
GROUP 04-02



GROUP 04-03

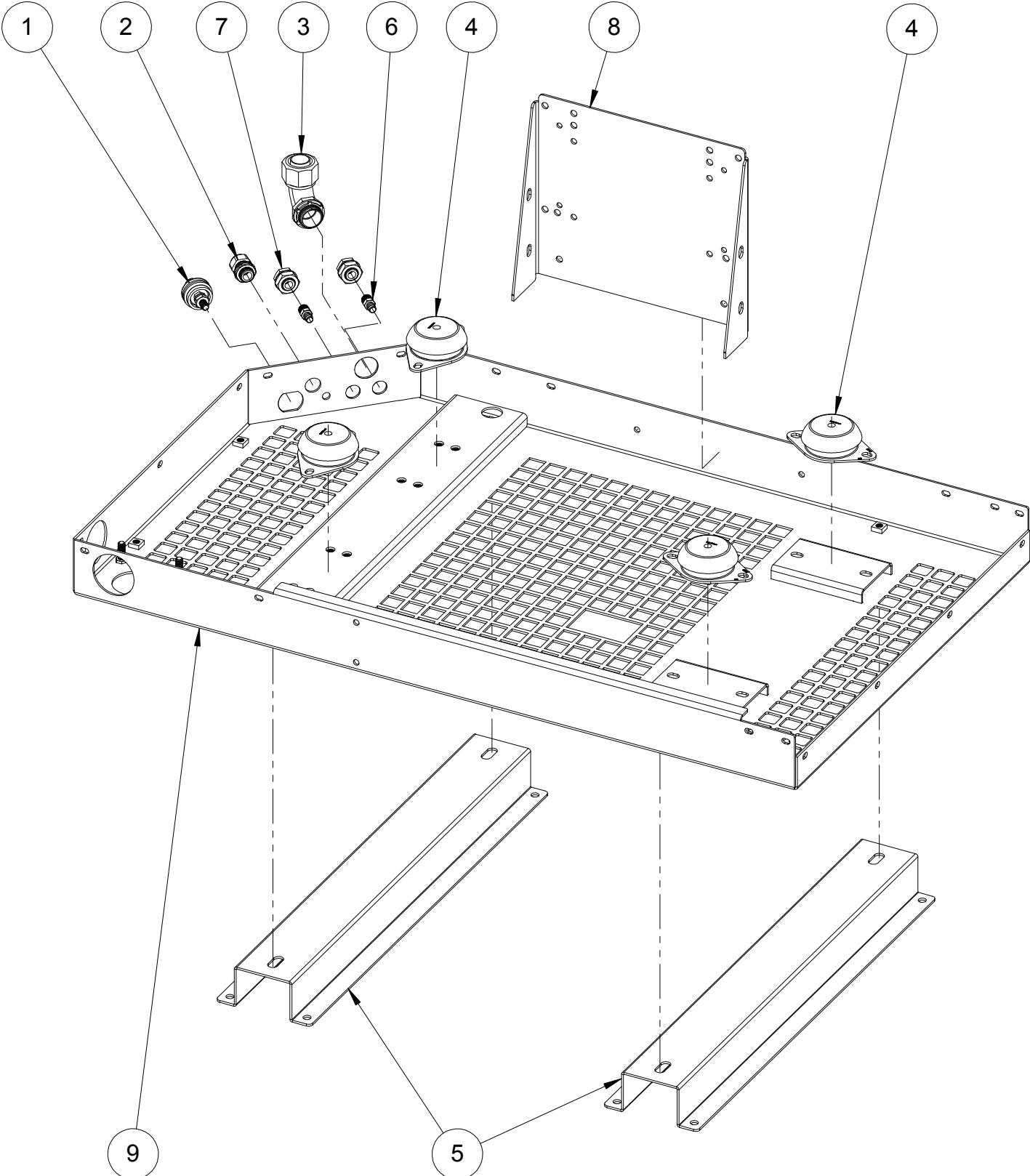


GROUP 04-01



This page intentionally left blank

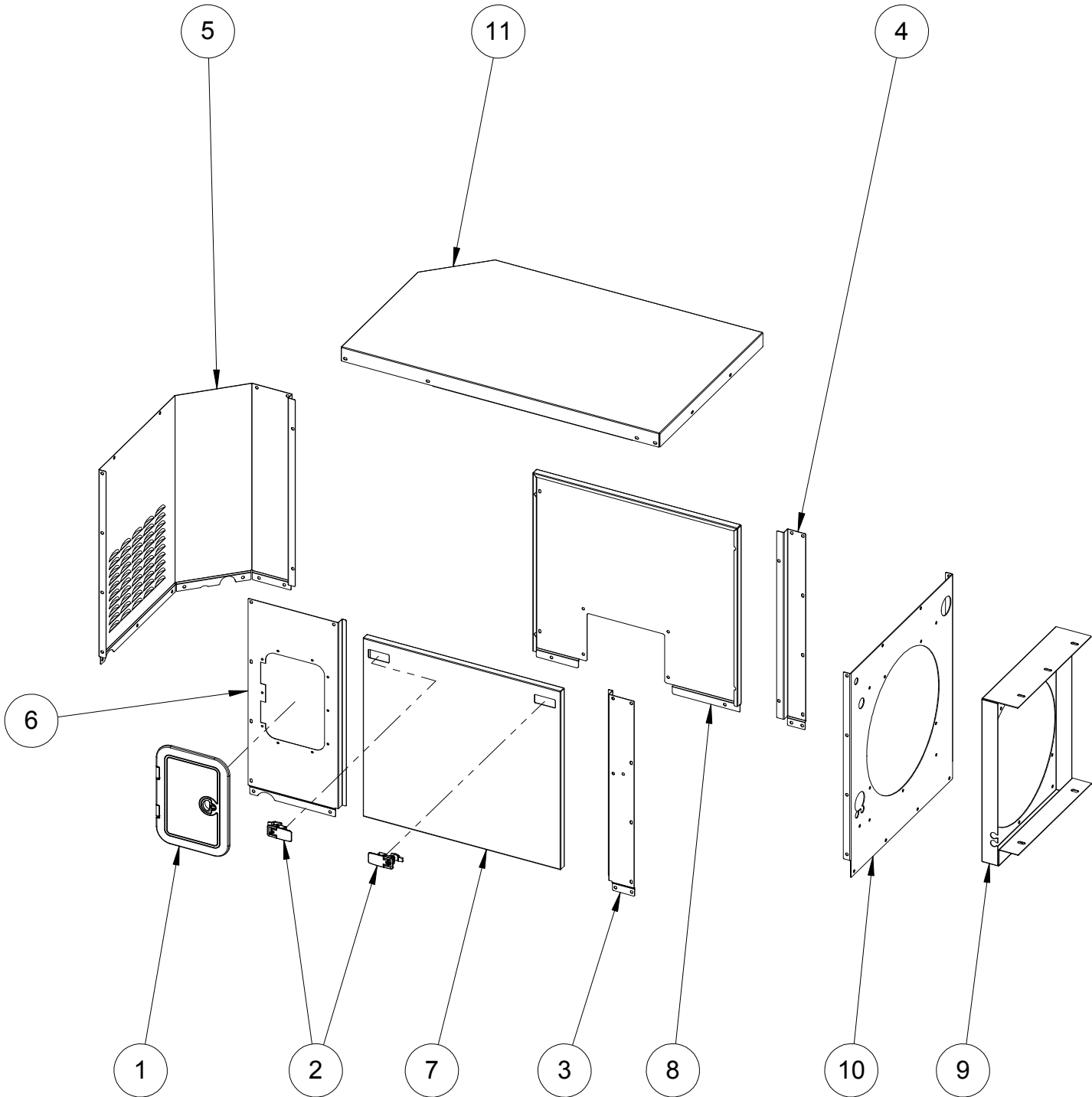
# Group 04-01 (Base Pan)



## **Group 04-01 BOM (Base Pan)**

<b>ITEM</b>	<b>PART NUMBER</b>	<b>DESCRIPTION</b>	<b>QTY.</b>
1	05BATISOL	ISOLATOR, BATTERY, POSITIVE	1
2	06CG12	GRIP, CORD, 1/2"	1
3	07CF1X90	CONNECTOR, CONDUIT, LIQUID TIGHT, 1" X 90°	1
4	09MNT50	MOUNT, ENGINE, 50	4
5	09SM40R	RISER, BASE	2
6	BR38HX14MP	BARB, HOSE, 3/8" H X 1/4" NPTM, BRASS	2
7	BRW21204	BULKHEAD,BRASS,SHORT	2
8	S-2126	BRACKET,ECU	1
9	SA-1234	BASE PAN ASSEMBLY	1

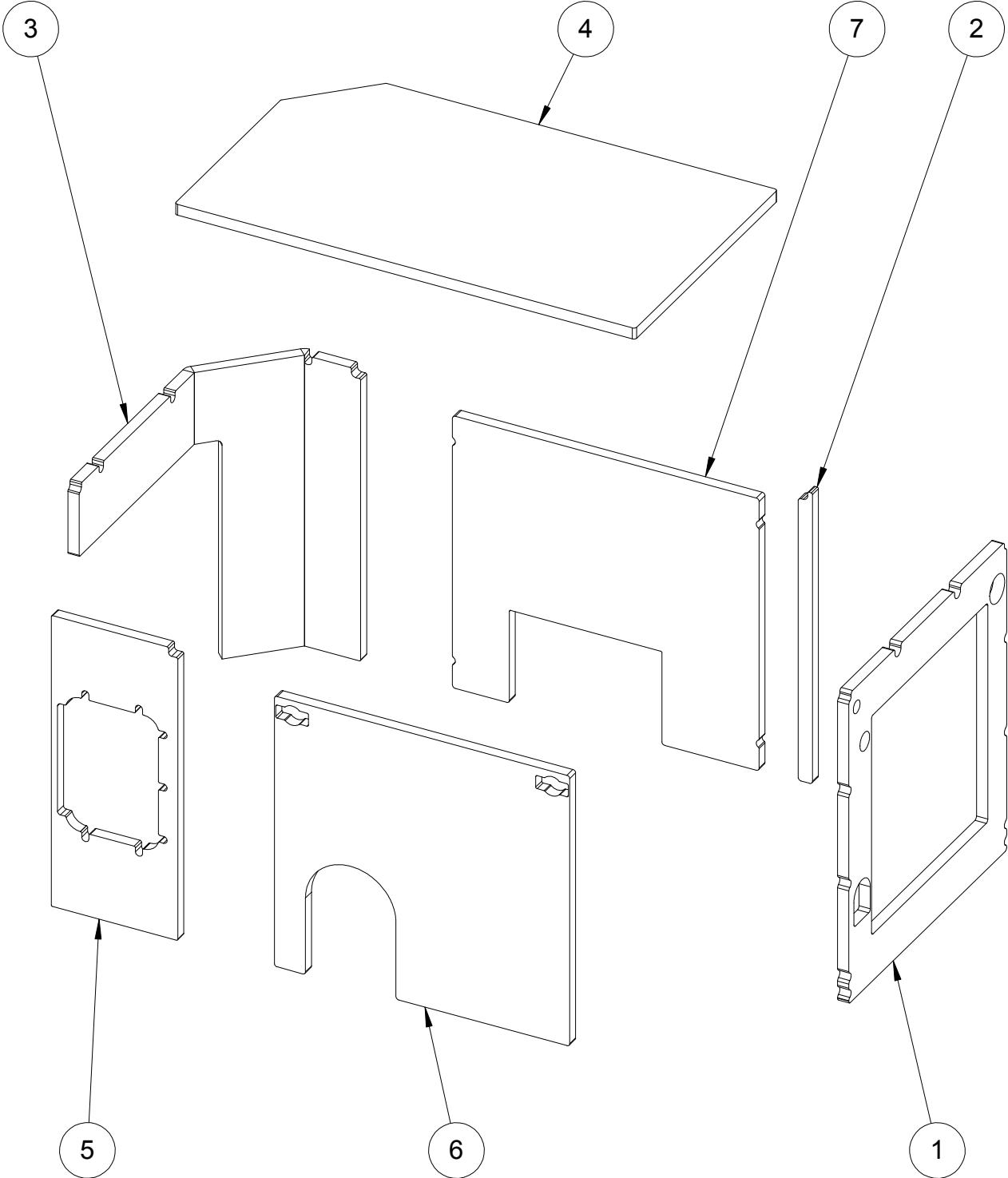
# Group 04-02 (Sheetmetal)



## **Group 04-02 BOM (Sheetmetal)**

<b>ITEM</b>	<b>PART NUMBER</b>	<b>DESCRIPTION</b>	<b>QTY.</b>
1	09ADAPU	DOOR,ACCESS,APU	1
2	09LTC10	LATCH, FLUSH MOUNT	2
3	S-2060	PANEL,FRONT,SERVICE SIDE	1
4	S-2062	PANEL,FRONT,NO SERVICE SIDE	1
5	S-2063	PANEL,GENERATOR END	1
6	S-2065	PANEL,SERVICE SIDE,REAR	1
7	S-2066	DOOR,DROP IN	1
8	S-2130	PANEL,LEFT SIDE	1
9	S-2497	SHROUD, FAN, 4LE2T	1
10	S-2498	PANEL, END, RADIATOR	1
11	S-2731	PANEL, TOP, TALL	1

# Group 04-03 (Sound Foam)





## **Group 04-03 BOM (Sound Foam)**

<b>ITEM</b>	<b>PART NUMBER</b>	<b>DESCRIPTION</b>	<b>QTY.</b>
1	S-2059-SF	FOAM, SOUND, PANEL, RAD	1
2	S-2062-SF	FOAM, SOUND, SIDE, NON-SERVICE, RAD END	1
3	S-2063-SF	FOAM, SOUND, PANEL, END, GENERATOR	1
4	S-2064-SF	FOAM, SOUND, TOP	1
5	S-2065-SF	FOAM, SOUND, SIDE, SERVICE, GEN END	1
6	S-2066-SF	FOAM, SOUND, DOOR, SERVICE, LIFT OUT	1
7	S-2130-SF	FOAM, SOUND, SIDE, NON-SERVICE	1