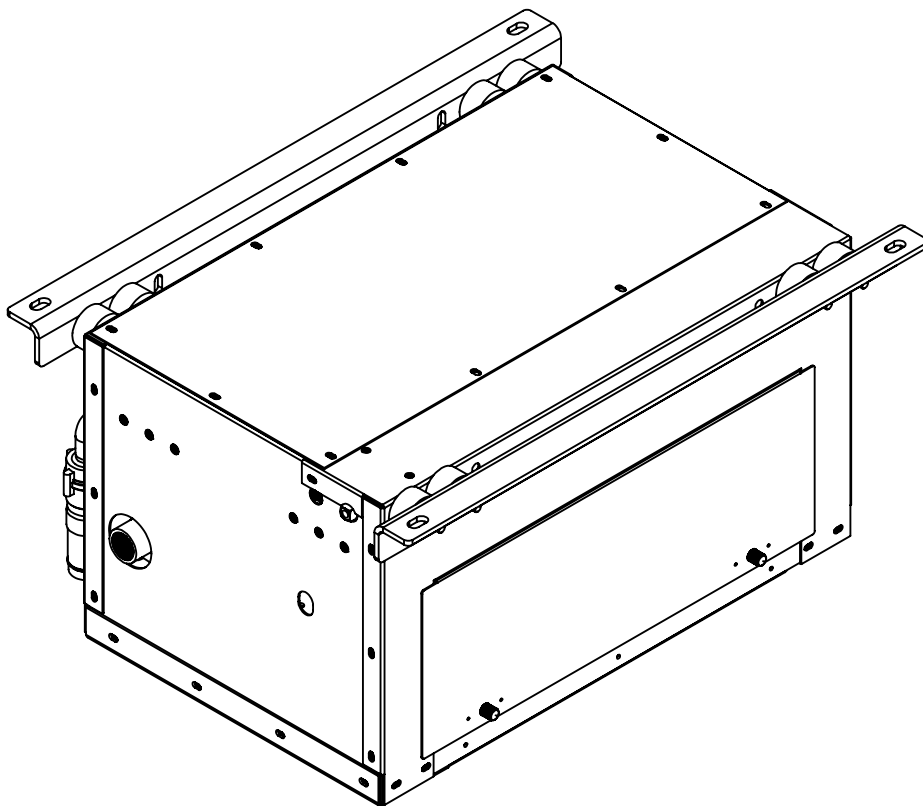




POWERTECH
GENERATORS
SOLUTIONS FOR MOBILE APPLICATIONS

PTRV3SV INSTALLATION GUIDE



634 State Road 44 | Leesburg, FL 34748

Phone: 800-760-0027 | Fax: 352-787-5545

www.powertechparts.com

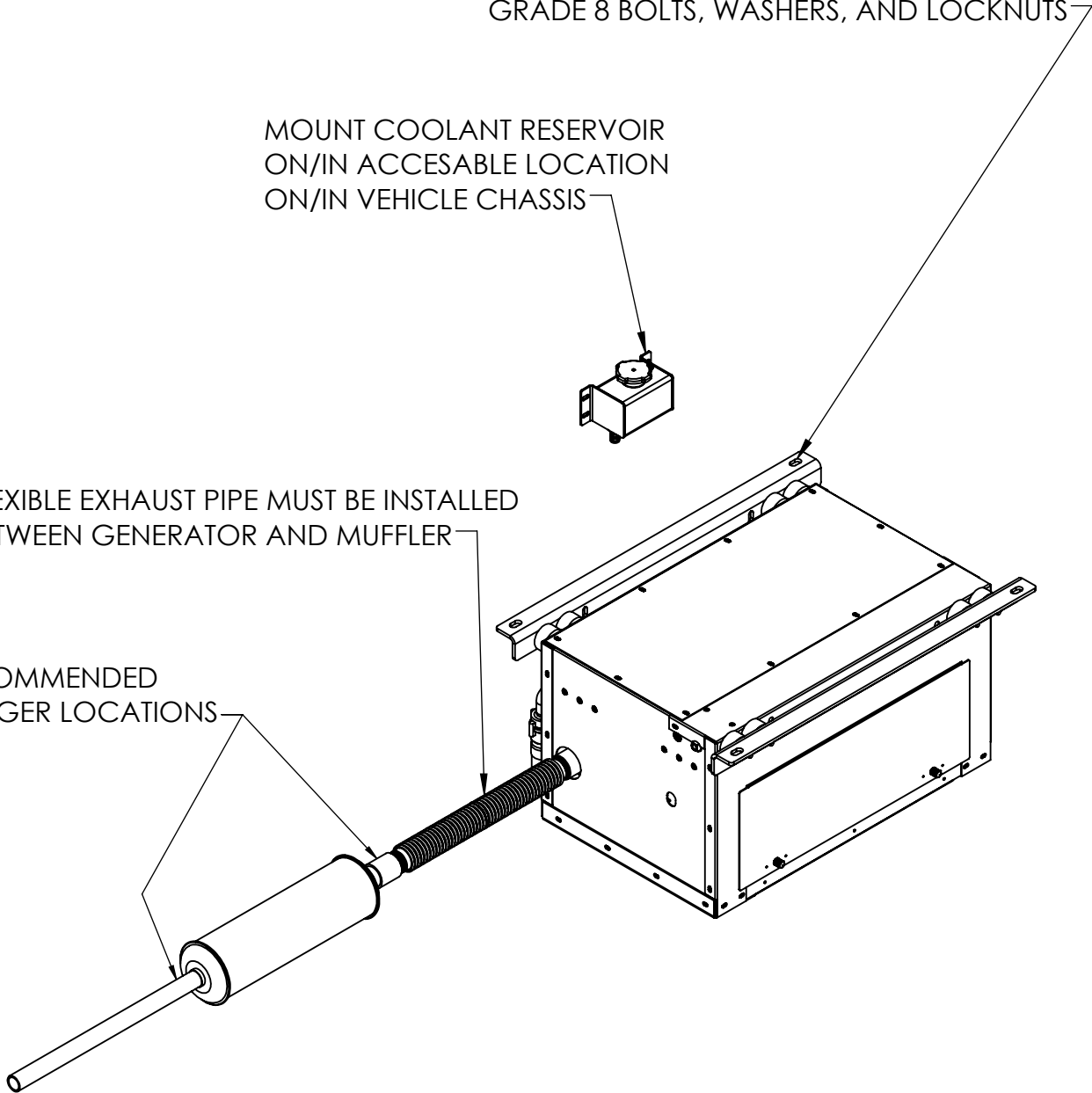
PTRV3SV-3 INSTALLATION GUIDE

MOUNT GENERATOR TO CHASSIS UTILIZING ALL 4 SLOTS IN HANGING BRACKETS, WITH GRADE 8 BOLTS, WASHERS, AND LOCKNUTS

MOUNT COOLANT RESERVOIR ON/IN ACCESABLE LOCATION ON/IN VEHICLE CHASSIS

FLEXIBLE EXHAUST PIPE MUST BE INSTALLED BETWEEN GENERATOR AND MUFFLER

RECOMMENDED HANGER LOCATIONS



MUFFLER AND FLEX PIPE MUST BE SUPPORTED IN AT LEAST 2 LOCATIONS WITH EXHAUST HANGERS MOUNTED BETWEEN THE CHASSIS AND MUFFLER. IN CERTAIN APPLICATIONS THE FLEX PIPE MUST ALSO BE SUPPORTED WITH EXHAUST HANGERS