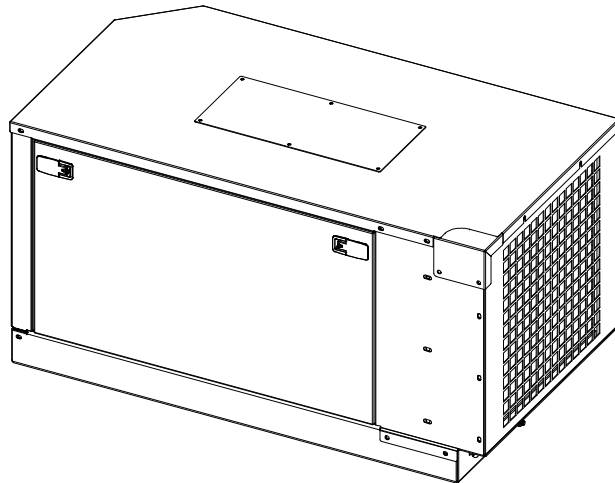




Parts List

PT-12KSiC (Rev B)

(for Generators with Serial Numbers Beginning with "K")



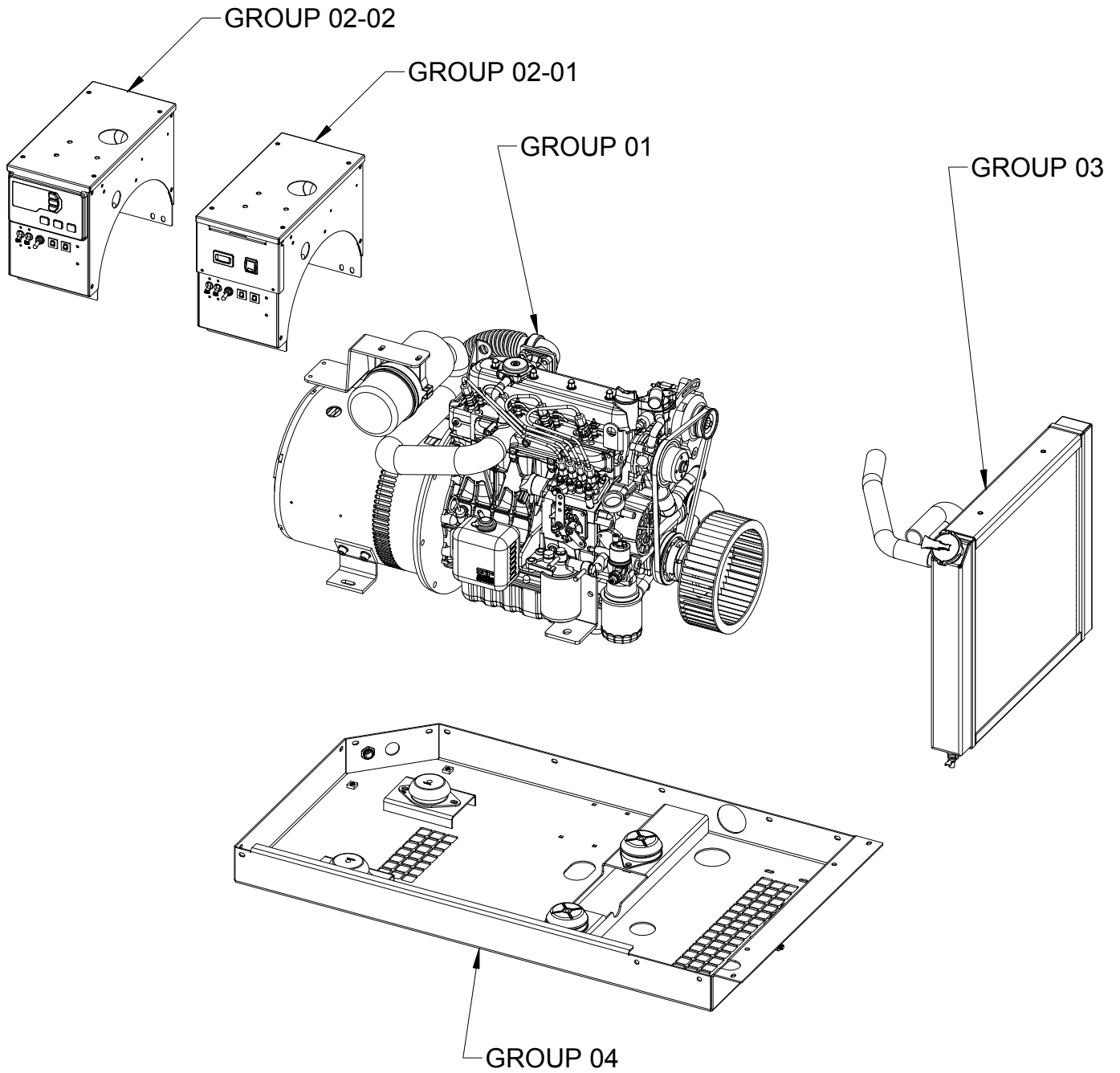
Power Technology Southeast
634 SR 44 W
Leesburg, FL 34748
Phone: 800-760-0027
Fax: 352-787-5545
www.powertechparts.com

We recommend that you contact an authorized Power Technology S.E. dealer for all maintenance and repairs of the generator. If you perform any maintenance or repairs, first disconnect the battery and/or lock out the ignition to prevent unintentional start-up. Unintentional start-up can result in serious injury and/or death.

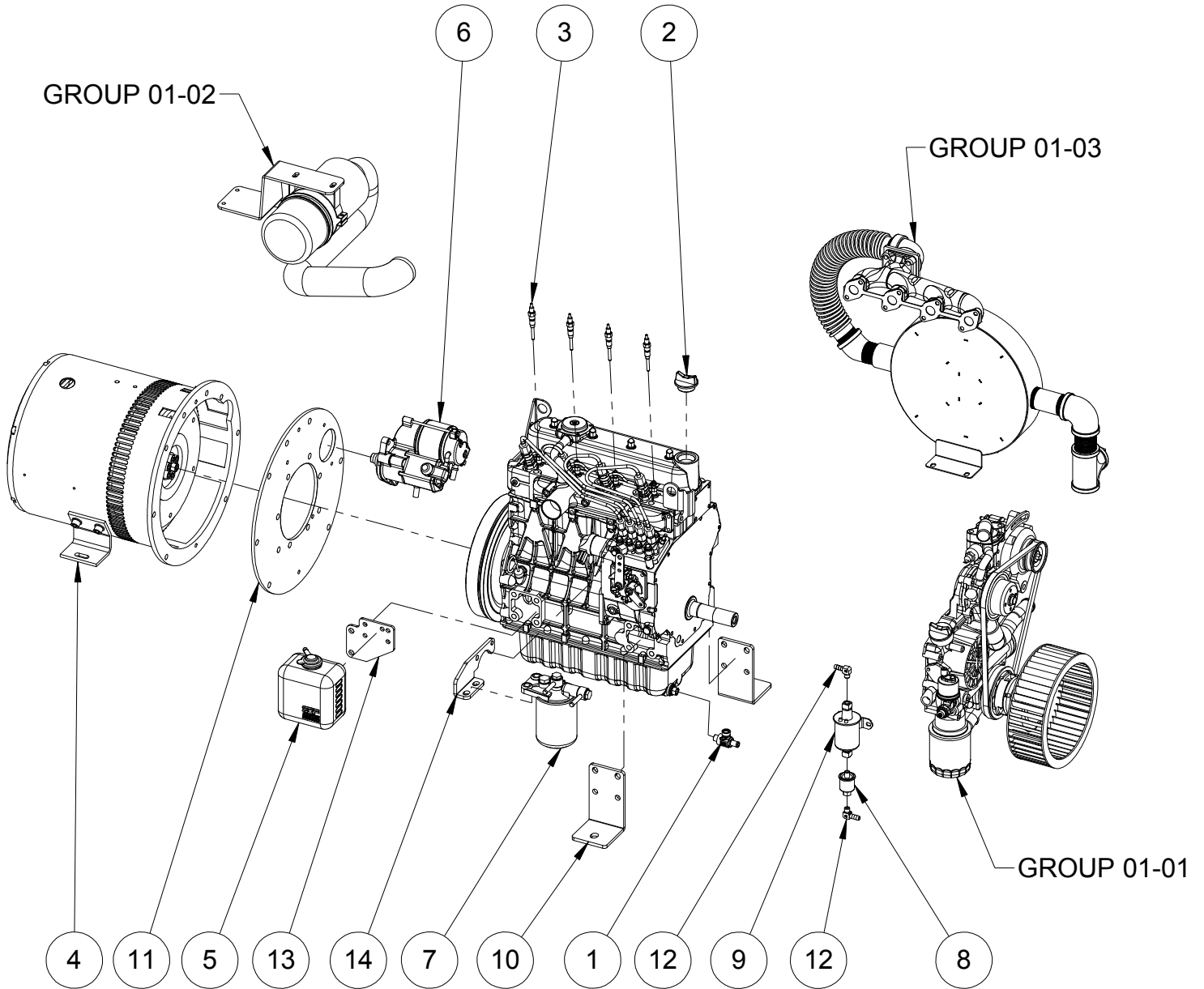
Use only Power Technology parts. Other parts may not perform as well, may damage the generator set, and may result in injury. In addition, use of other parts may void your warranty.

This parts list was current at the time of printing. Production changes and installed options may result in changes that are not covered in this parts list. Production units and associated parts are subject to change without notice. For the most up to date parts information, please contact the factory with the Power Tech model number and serial number.

Group 00 (Complete Generator)



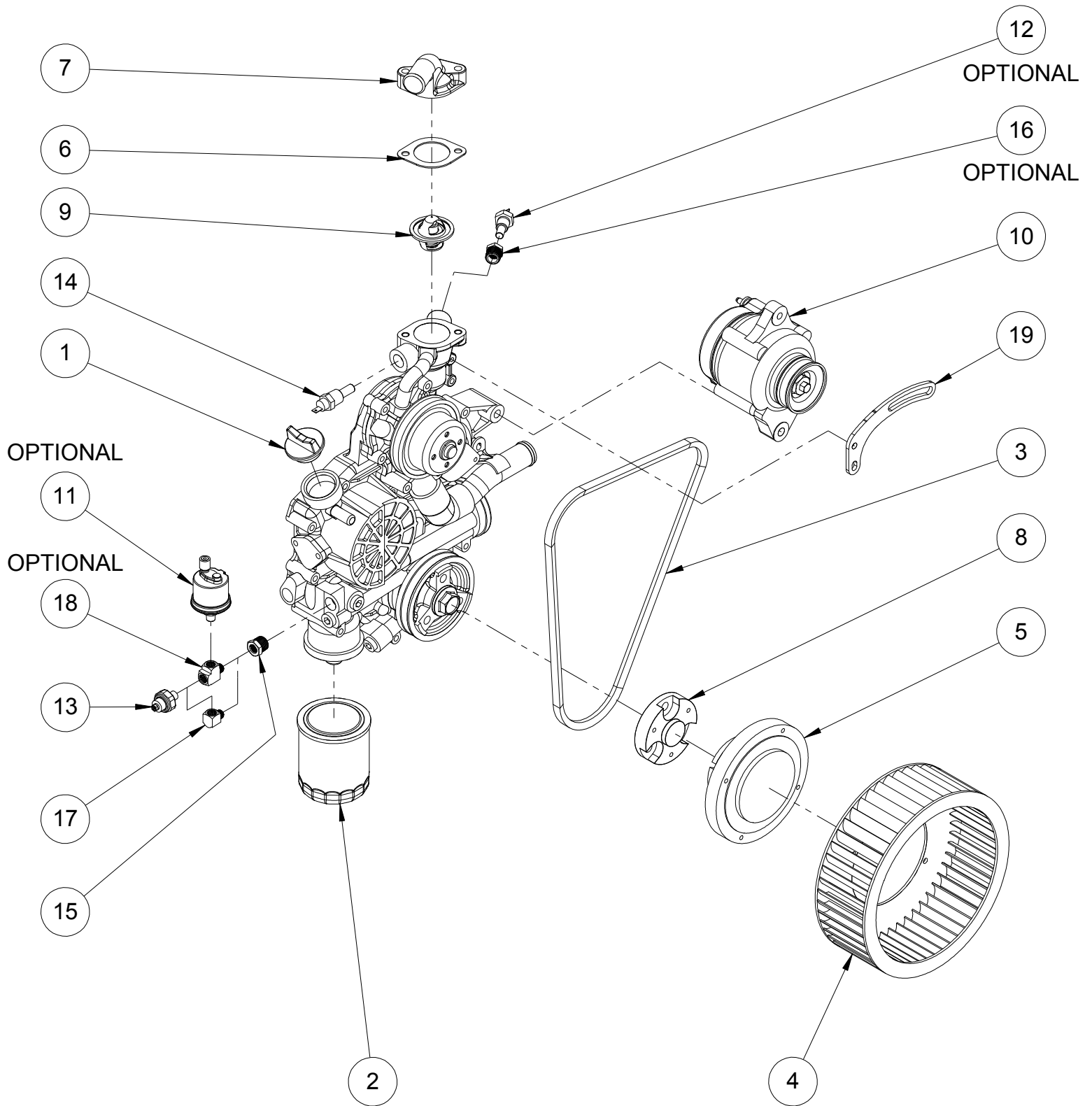
Group 01 (Engine)



Group 01 BOM (Engine)

ITEM	PART NUMBER	DESCRIPTION	QTY
1	01F103N	VALVE, DRAIN, OIL, 12MMX1.5	1
2	01FILLCAP	CAP,OIL FILL, KUBOTA	1
3	01GP2203	PLUG, GLOW, KUBOTA, 03	4
4	02GEN12CE	GENERATOR, 12kW	1
5	03WBKITU	BOTTLE, RECOVERY, COOLANT, WITH BRACKET	1
6	05STR1505	STARTER,KUBOTA,1105-1505	1
7	08FFD06	FILTER, FUEL, KUB KIT, BASE & FILTER	1
8	08FFG17B	FILTER, FUEL, INLINE, G17B	1
9	08PE7061	PUMP, FUEL, ELEC, 12V	1
10	09FTKSI-8	FOOT, 05, 5-1/4"	2
11	09PLT-C812	PLATE, GEN/ENG, KUB, CE8 & CE12	1
12	BR1556	BARB, HOSE, 90°, 5/16H X 1/8NPT, BRASS	2
13	S-1527	BRACKET, BOTTLE, WATER	1
14	S-1580	BRACKET, FILTER, FUEL, D06	1

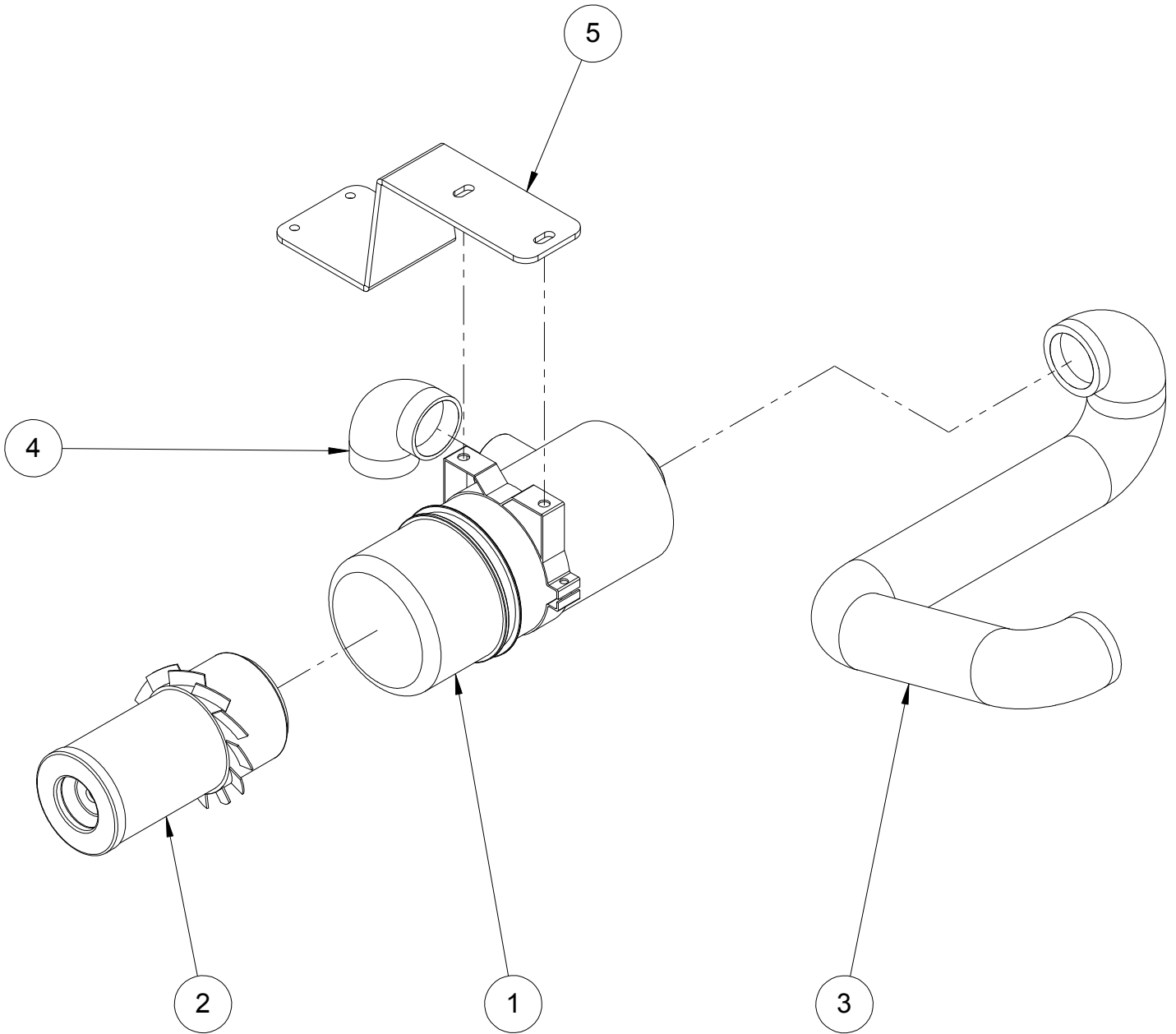
Group 01-01 (Engine Front)



Group 01-01 BOM (Engine Front)

ITEM	PART NUMBER	DESCRIPTION	QTY
1	01FILLCAP	CAP,OIL FILL, KUBOTA	1
2	01FO05S	ELEMENT,FILTER,OIL,KUBOTA,05	1
3	03BF7370	BELT, FAN, 05, ALTERNATOR	1
4	03FANBL8KSIC	FAN, BLOWER, 4-3/4" ID	1
5	03FANC	CLUTCH, FAN	1
6	03GKT0203THM	GASKET,THERMOSTAT,KUBOTA,0203	1
7	03H05THM	HOUSING,THERMOSTAT,90°,KUBOTA,05	1
8	03SPKC	SPACER, CLUTCH, FAN	1
9	03THM0305NEW	THERMOSTAT,KUBOTA,0305	1
10	05ALT05	ALTERNATOR, 30A, KUBOTA	1
11	05SNDO105	SENDER,PRESSURE,OIL,VDO	1
12	05SNDT118	SENDER,TEMPERATURE,VDO	1
13	05SOKUB1P	SWITCH,PRESSURE,OIL,1 POLE,KUBOTA	1
14	05STKUB1P	SWITCH, TEMPERATURE, 05	1
15	BR3220X6X2	BUSHING, 3/8" X 1/8", BRASS	1
16	BR3220X6X4	BUSHING, 3/8" X 1/4", BRASS	1
17	BR3400x2	ELBOW, 90°, STREET, BRASS, 1/8"	1
18	BR3750X2	TEE,RUN,BRASS,1/8	1
19	S-1644	BRACKET, ALTERNATOR	1

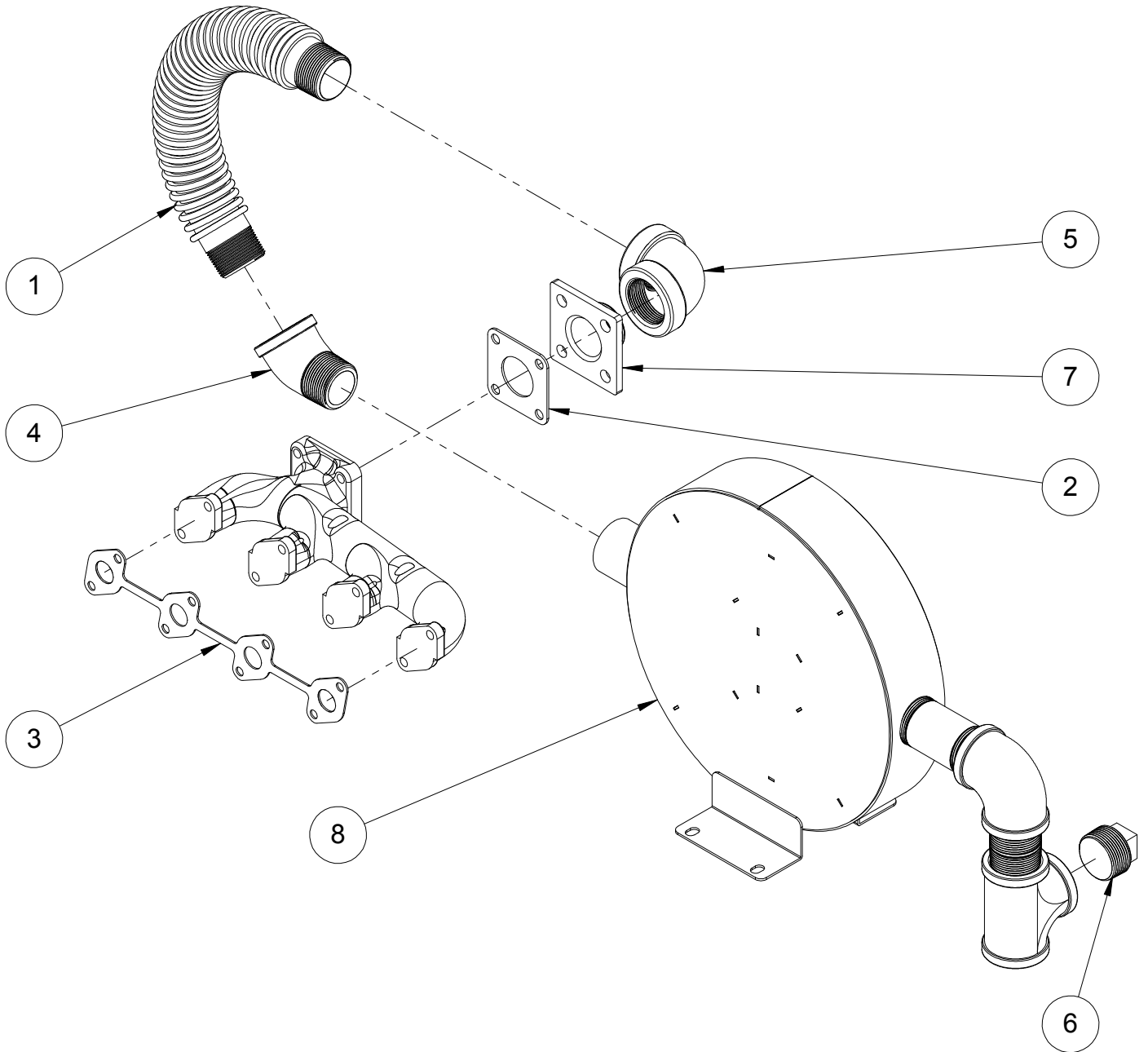
Group 01-02 (Intake)



Group 01-02 BOM (Intake)

ITEM	PART NUMBER	DESCRIPTION	QTY
1	04AC42503	HOUSING, FILTER, AIR, W/ ELEMENT	1
2	04FA221	ELEMENT, FILTER, AIR, 3.25"	1
3	04HSA1342	HOSE, INTAKE, AIR, PT 8-12 COMMERCIAL	1
4	04HSAIRL134	HOSE, INTAKE, 1-3/4", 90°	1
5	S-2794	BRACKET, FILTER, AIR, 8-12 KW	1

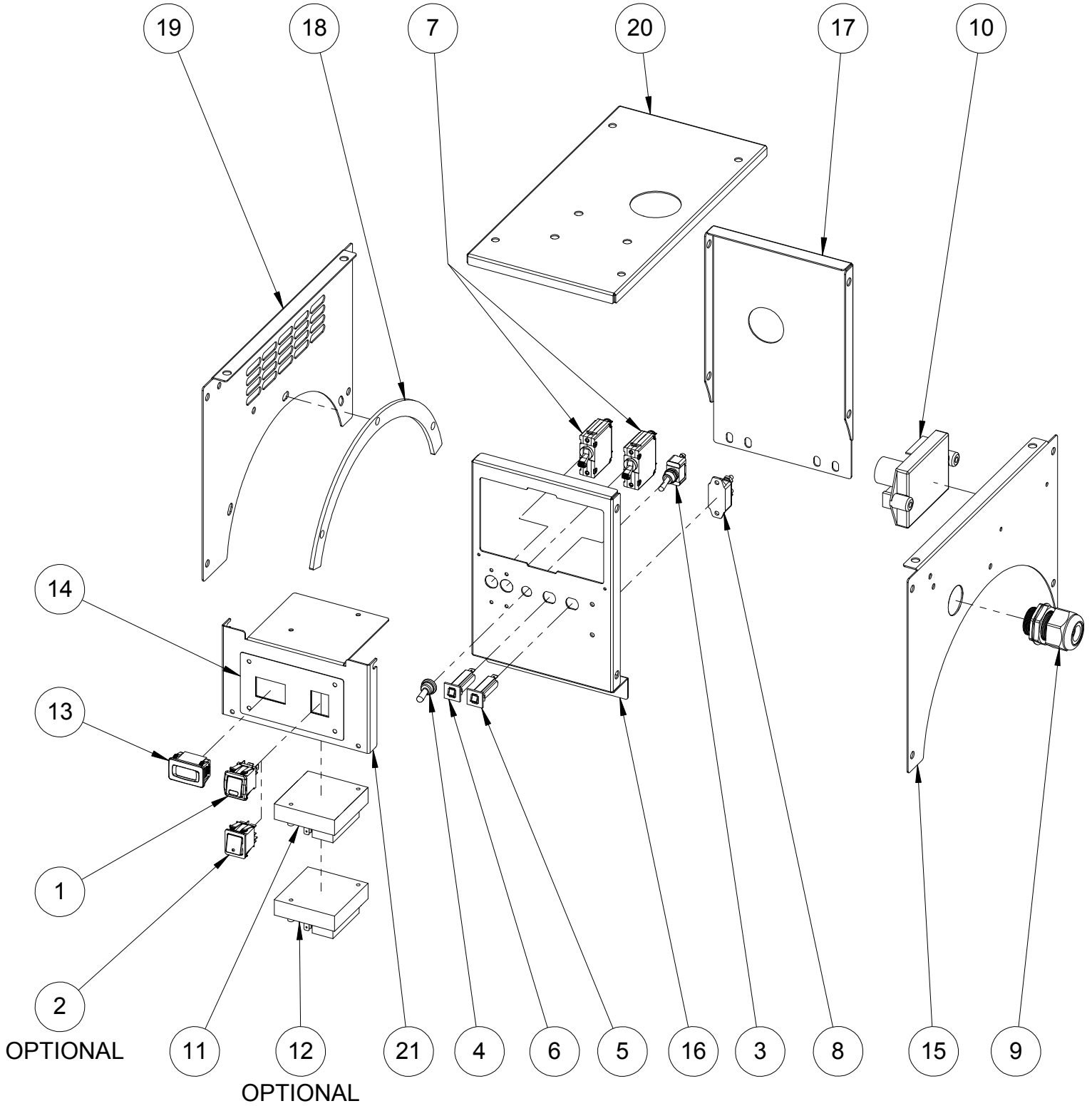
Group 01-03 (Exhaust)



Group 01-03 BOM (Exhaust)

ITEM	PART NUMBER	DESCRIPTION	QTY
1	04FLXP114X19	FLEXTUBE, 1 1/4" X 19 1/2"	1
2	04GKT0203EX	GASKET,FLANGE,EXHAUST,4 BOLT	1
3	04GKT299EX	GASKET, MANIFOLD, EXHAUST, KUBOTA, 1505	1
4	BP114X45SL	ELBOW, STREET, 45°, 1-1/4"	1
5	BP114X90L	ELBOW, 90°, 1-1/4"	1
6	BPP114	PLUG, PIPE, 1-1/4"	1
7	S-1542	FLANGE, EXHAUST, 4 BOLT, 1-1/4", SHORT	1
8	SA-1035	MUFFLER, SISO, 1-1/4"	1
-	04BLKSIC	BLANKET, MUFFLER, KSIC	1
-	04BLK90043	BLANKET, MANIFOLD, SIDE EXIT, V1505	1

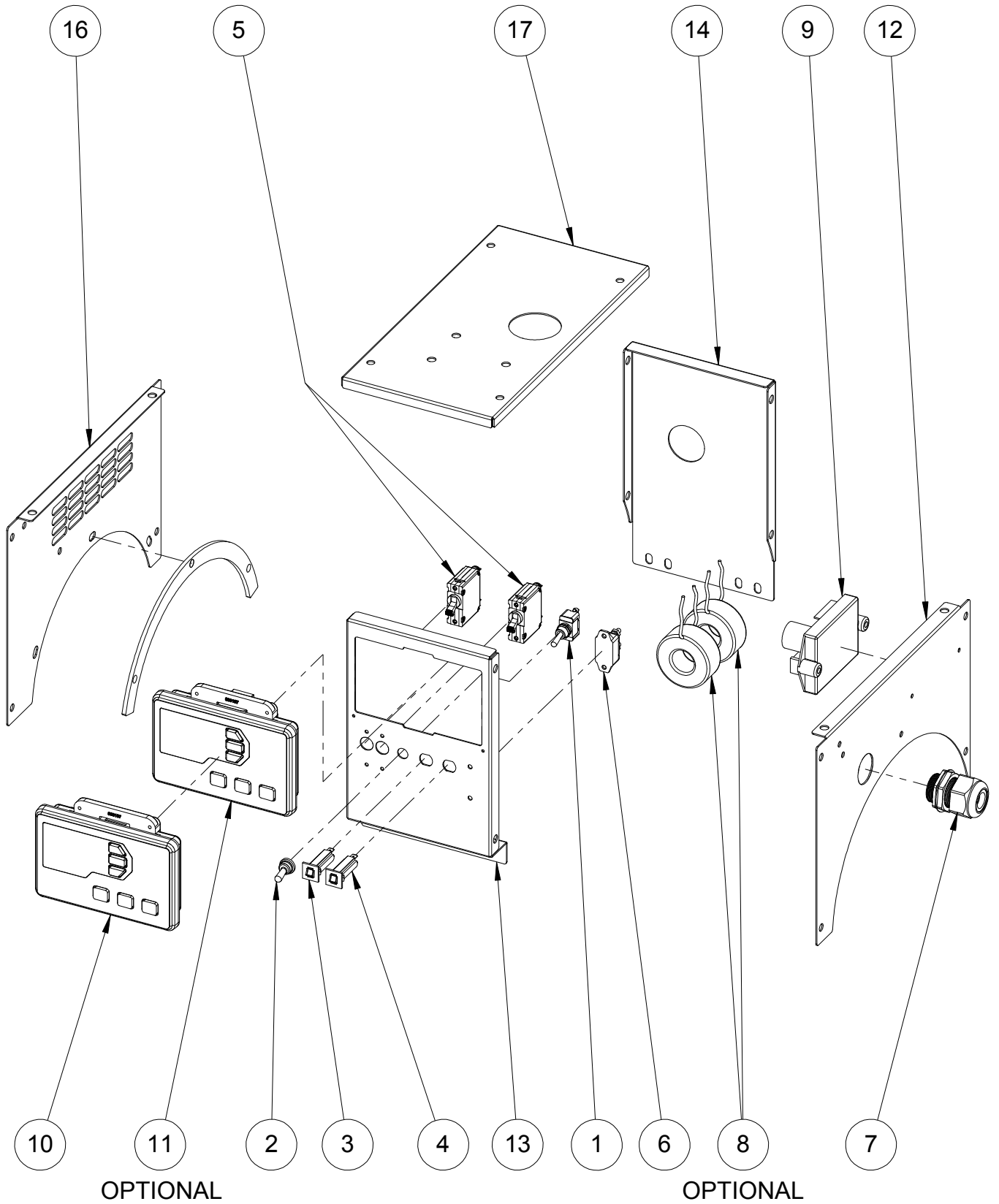
Group 02-01 (Controls)



Group 02-01 BOM (Controls)

ITEM	PART NUMBER	DESCRIPTION	QTY
1	05SR	SWITCH, ROCKER, MOM, LIGHT, START/STOP	1
2	05SRMT	SWITCH,ROCKER,MAINTAIN,LIGHT	1
3	05STOGONOFF	SWITCH, TOGGLE, ON/OFF, 2 POLE	1
4	05TOGBOOT	BOOT, SWITCH, TOGGLE	1
5	06BR1A-RESETW28	BREAKER, 1A, RESET, ROCKER	1
6	06BR5A-RESETW28	BREAKER, 5A, RESET, ROCKER	1
7	06BR50A1PAA	BREAKER, 50A, 1P	2
8	06BR401P12V	BREAKER, 40A, 12VDC	1
9	06CG1	GRIP, CORD 1"	1
10	06REG31B	REGULATOR, VOLTAGE, 3.1B, 3 PHASE	1
11	07CONECU63	CONTROLLER, ENGINE, ECU 63, MOMENTARY	1
12	07CONECU64	CONTROLLER, ENGINE, ECU 64F, MAINTAIN	1
13	07MHR-DIGITAL	METER, HOUR, DIGITAL, RECTANGLE	1
14	09DEC890	DECAL, PANEL, 890	1
15	S-1796	PANEL, FRONT, BOX, CONTROL	1
16	S-1797	PANEL, SIDE, SERVICE, BOX, CONTROL	1
17	S-1799	PANEL, SIDE, NON-SERVICE, BOX, CONTROL	1
18	S-1904	SPACER, BOX, CONTROL	1
19	S-1905	PANEL, BACK, BOX, CONTROL	1
20	S-2793	PANEL, TOP, BOX, CONTROL, CE GEN, TG SERIES, VENTED, 8-12 KW	1
21	S-2863	BRACKET, CONVERSION, TG TO ECU, 8-12	1
-	07HRNKSIC	HARNESS, ENGINE, KSIC	1

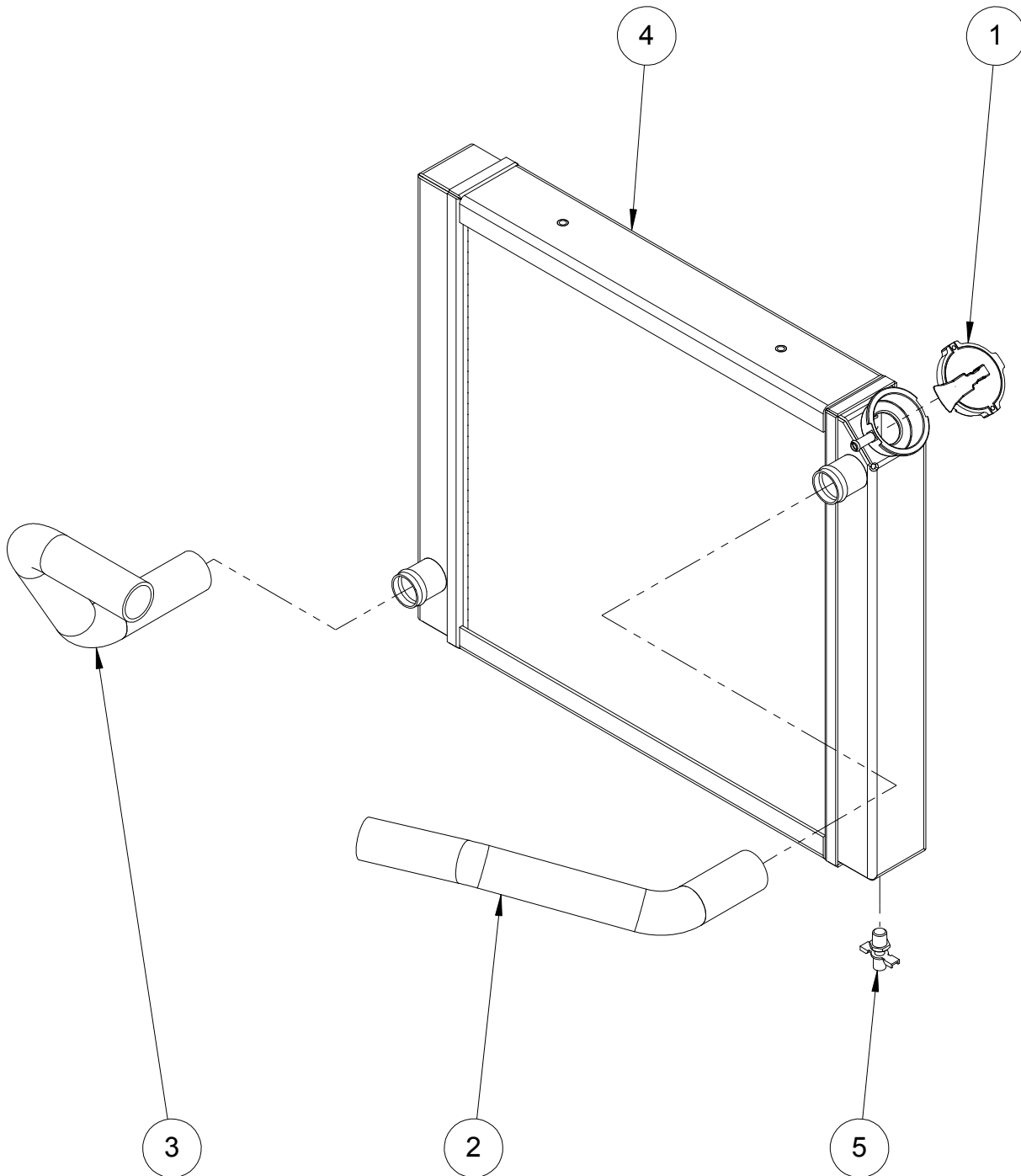
Group 02-02 (Controls)



Group 02-02 BOM (Controls)

ITEM	PART NUMBER	DESCRIPTION	QTY
1	05STOGONOFF	SWITCH, TOGGLE, ON/OFF, 2 POLE	1
2	05TOGBOOT	BOOT, SWITCH, TOGGLE	1
3	06BR4A-RESEW28	BREAKER,4A,RESET,ROCKER	1
4	06BR5A-RESEW28	BREAKER, 5A, RESET, ROCKER	1
5	06BR50A1PAA	BREAKER, 50A, 1P	2
6	06BR401P12V	BREAKER, 40A, 12VDC	1
7	06CG1	GRIP, CORD 1"	1
8	06CT1005	TRANSFORMER, CURRENT, 100:5	2
9	06REG31B	REGULATOR, VOLTAGE, 3.1B, 3 PHASE	1
10	07TG350	CONTROLLER, ELECTRONIC, PTG350	1
11	07TG410	CONTROLLER, ELECTRONIC, PTG410	1
12	S-1796	PANEL, FRONT, BOX, CONTROL	1
13	S-1797	PANEL, SIDE, SERVICE, BOX, CONTROL	1
14	S-1799	PANEL, SIDE, NON-SERVICE, BOX, CONTROL	1
15	S-1904	CONTROL BOX,SPACER	1
16	S-1905	PANEL, BACK, BOC, CONTROL, VENTED	1
17	S-2793	PANEL, TOP, BOX, CONTROL, CE GEN, TG SERIES, VENTED, 8-12 KW	1
-	07HRNKSIC	HARNESS, ENGINE, KSIC	1
-	07LACTG	PIGTAIL, SENSING, AC, TG SERIES	1

Group 03 (Radiator)

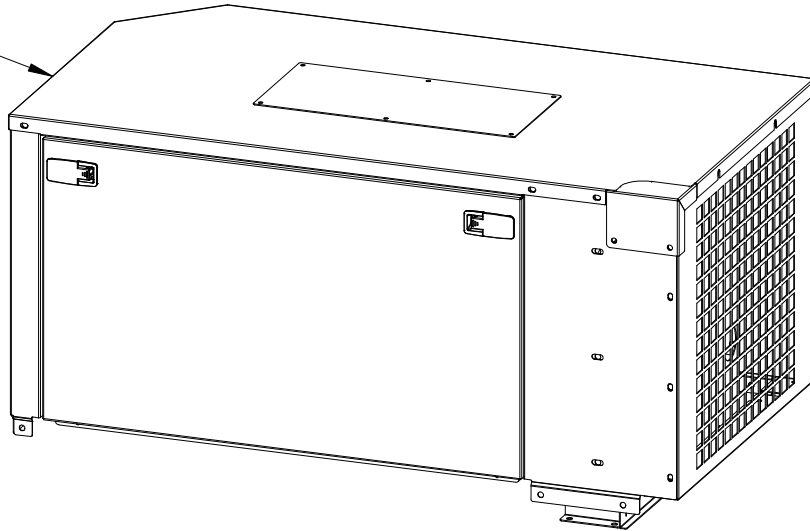


Group 03 BOM (Radiator)

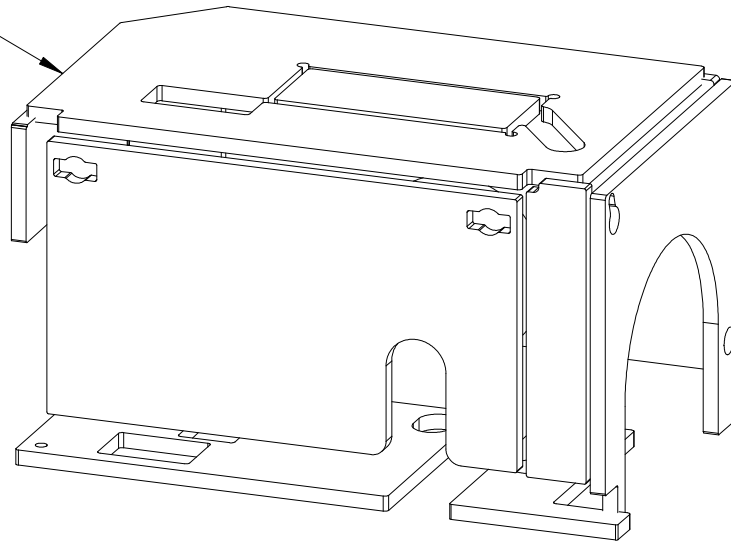
ITEM	PART NUMBER	DESCRIPTION	QTY
1	03CSP13	CAP, RADIATOR, 13#, RELEASE	1
2	03HS3013U	HOSE, RADITOR, UPPER	1
3	03HSFF227	HOSE, RADIATOR, LOWER	1
4	03RAD520-ALUM	RADIATOR, ALUMINUM, 520, 03	1
5	BR6788	DRAIN COCK, 1/4", STRAIGHT, LONG, BRASS	1

Group 04 (Enclosure)

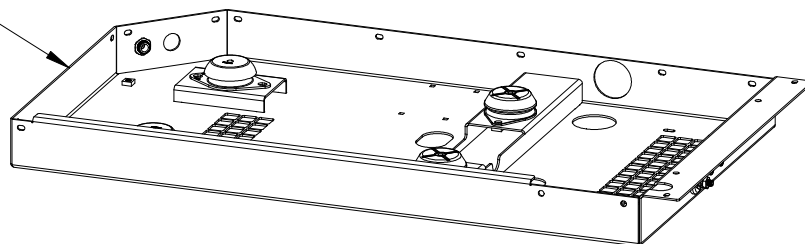
GROUP 04-02



GROUP 04-03

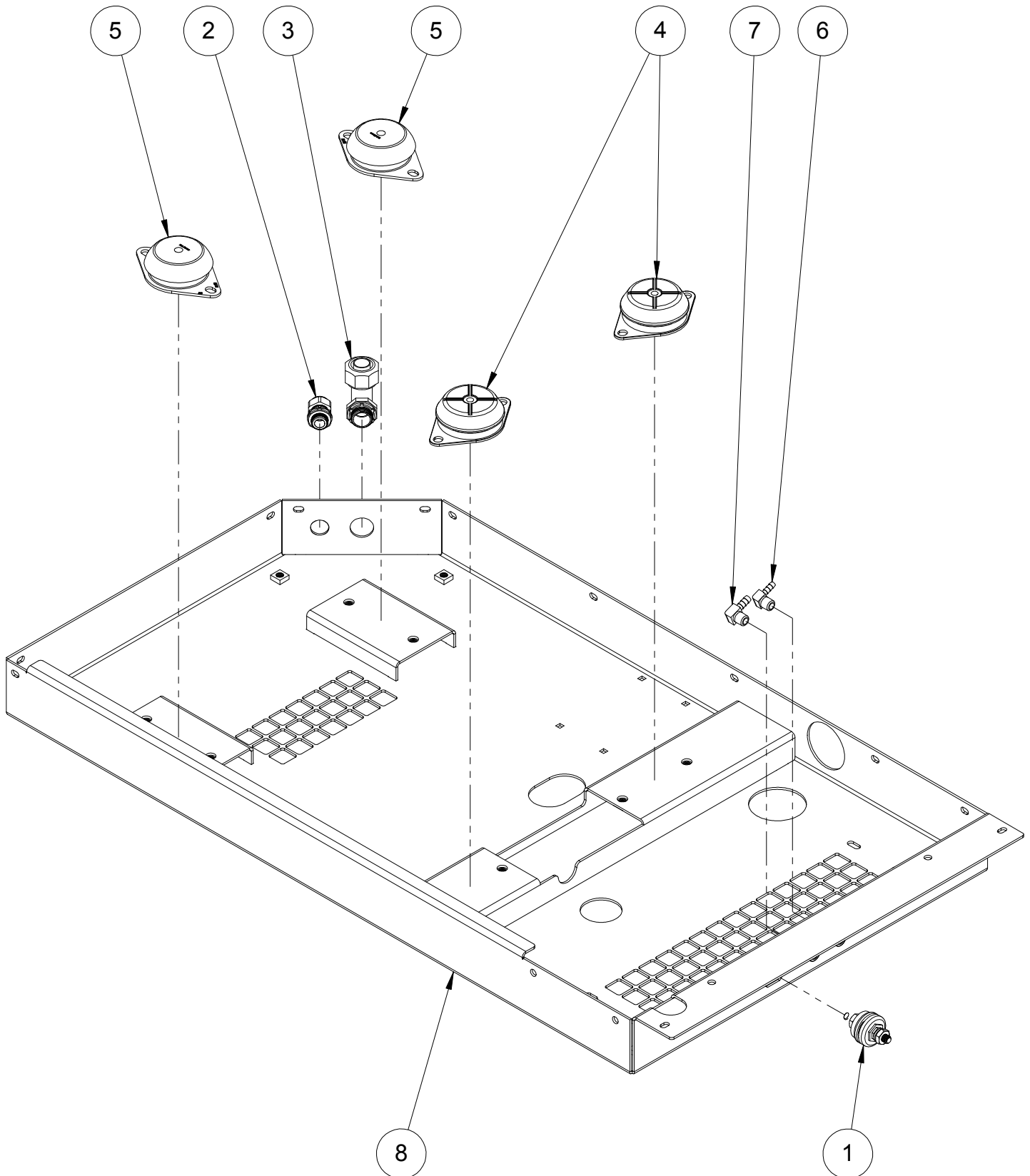


GROUP 04-01



This page intentionally left blank

Group 04-01 (Base Pan)

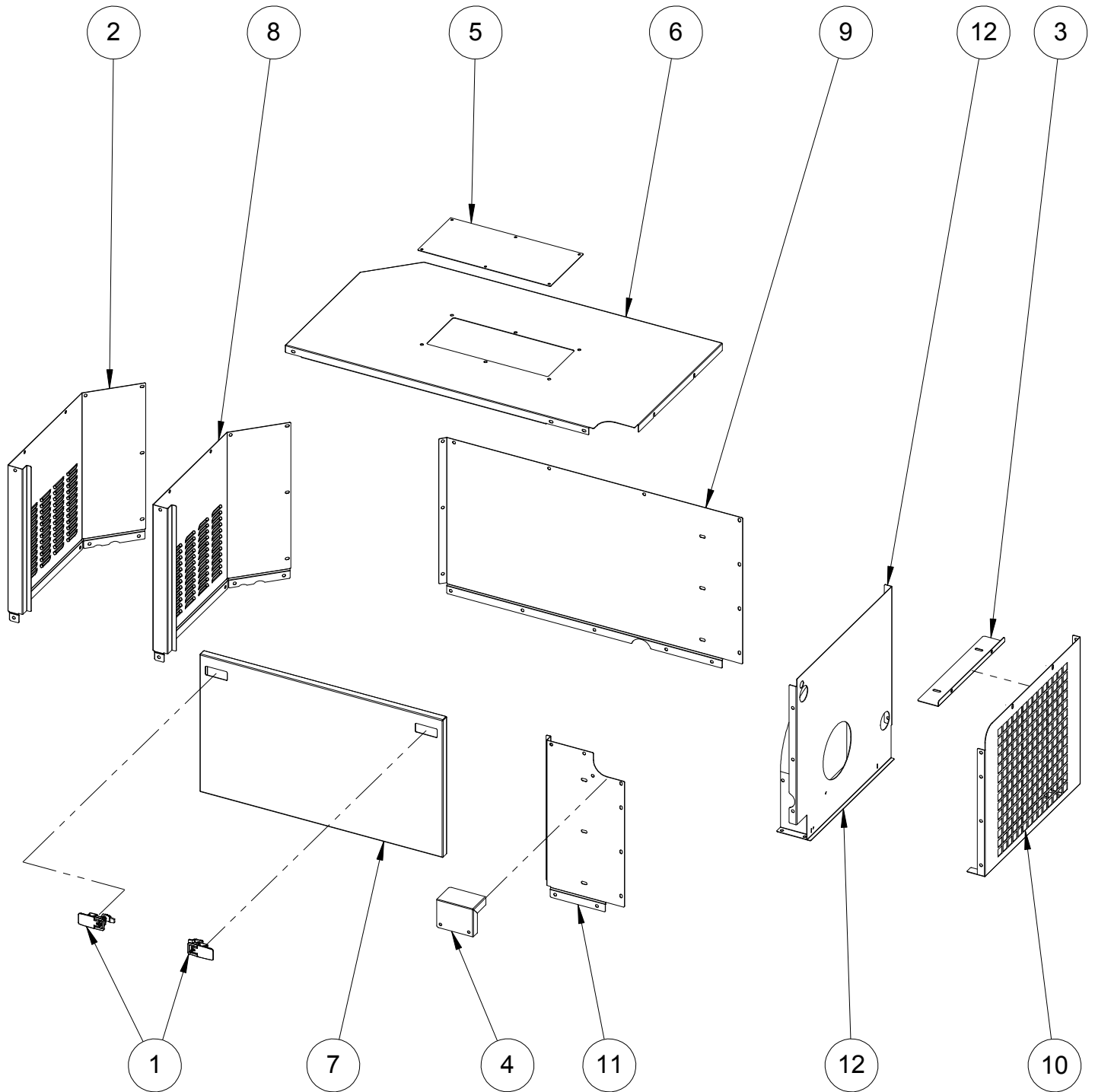


Group 04-01 BOM (Base Pan)

ITEM	PART NUMBER	DESCRIPTION	QTY
1	05BATHISOL	ISOLATOR, BATTERY, POSITIVE	1
2	06CG12	GRIP, CORD, 1/2"	1
3	07CF34X90	CONNECTOR, CONDUIT, LIQUID TIGHT, 3/4", 90°	1
4	09MNT40	MOUNT,ENGINE,OPEN POWER,8-12KW	2
5	09MNT50	MOUNT, ENGINE, 50	2
6	BR1069X4X4	BARB, HOSE, 90° ,1/4H X 1/4MP, BRASS	1
7	BR1557	BARB, HOSE, 90°, 5/16H X 1/4NPT, BRASS	1
8	SA-1398	BASE ASSY, PAN, 12KSIC, 1505, 12CE, 520A	1

Group 04-02 (Sheetmetal)

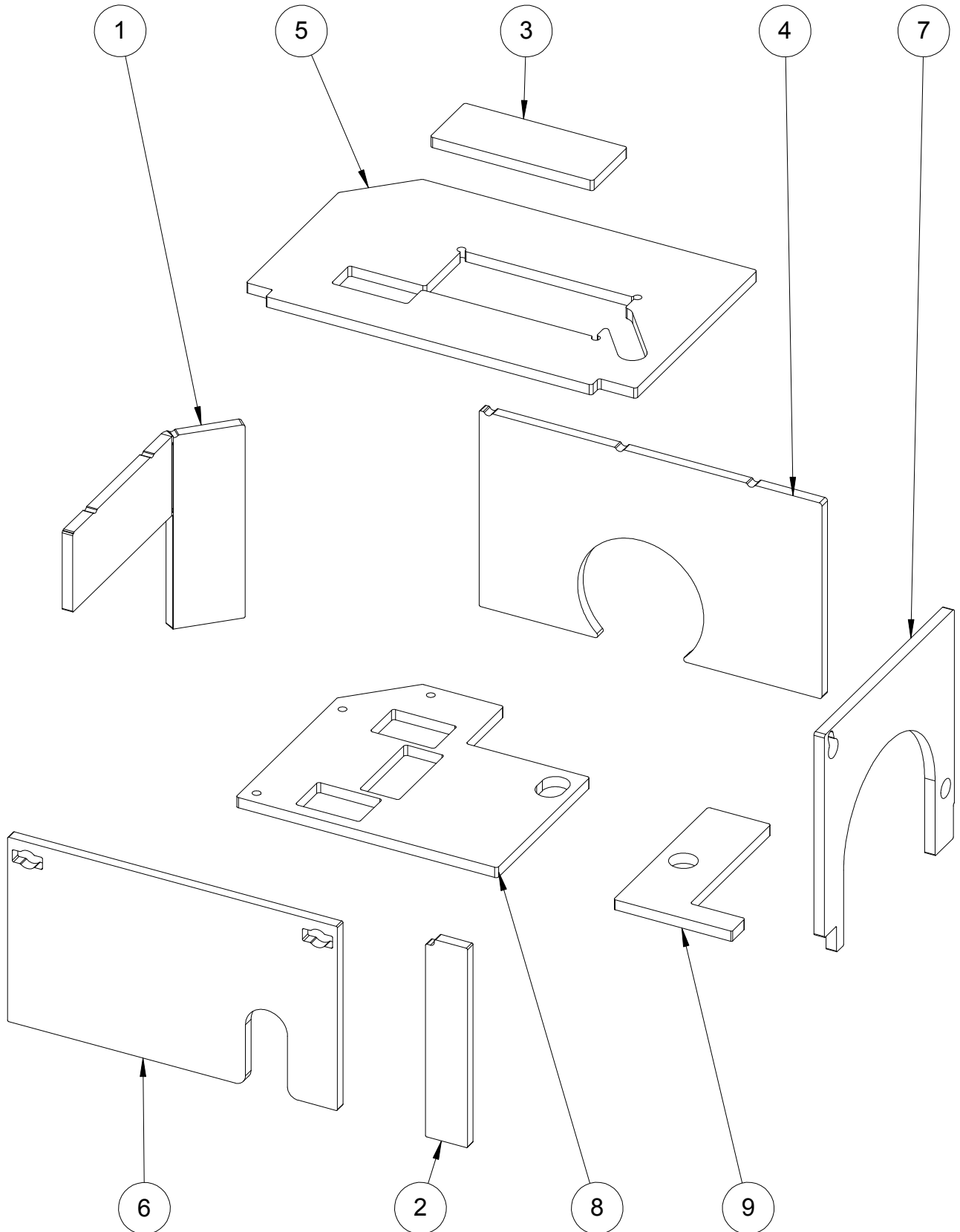
OPTIONAL



Group 04-02 BOM (Sheetmetal)

ITEM	PART NUMBER	DESCRIPTION	QTY.
1	09LTC10	LATCH, FLUSH MOUNT	2
2	S-1484	PANEL, END, GENERATOR, LOUVERED, IN	1
3	S-1494	BRACKET, RADIATOR, TOP	1
4	S-1496	DOOR, ACCESS, RADIATOR FILL	1
5	S-1498	COVER, ACCESS, TOP	1
6	S-1501	PANEL, TOP	1
7	S-1505	DOOR, DROP IN	1
8	S-1679	PANEL, END, GENERATOR, LOUVERED, OUT	1
9	S-2503	PANEL, SIDE, NON-SERVICE	1
10	S-2504	GUARD, RADIATOR	1
11	S-2505	PANEL, SIDE, SERVICE, FRONT	1
12	SA-1032	SHROUD, FAN	1

Group 04-03 (Sound Foam)



Group 04-03 BOM (Sound Foam)

ITEM	PART NUMBER	DESCRIPTION	QTY
1	S-1484-SF	FOAM, SOUND, END, GENERATOR	1
2	S-1485-SF	FOAM, SOUND, SIDE, SERVICE, FRONT	1
3	S-1498-SF	FOAM, SOUND, PANEL, ACCESS	1
4	S-1500-SF	SOUND FOAM, SIDE, NON-SERVICE	1
5	S-1501-SF	SOUND FOAM, TOP	1
6	S-1505-SF	SOUND FOAM, DOOR, DROP IN	1
7	SA-1032-SF	FOAM, SOUND, SHROUD, FAN	1
8	SA-1033-SF-1	SOUND FOAM, BASE PAN, REAR	1
9	SA-1033-SF-2	SOUND FOAM, BASE PAN, FRONT	1