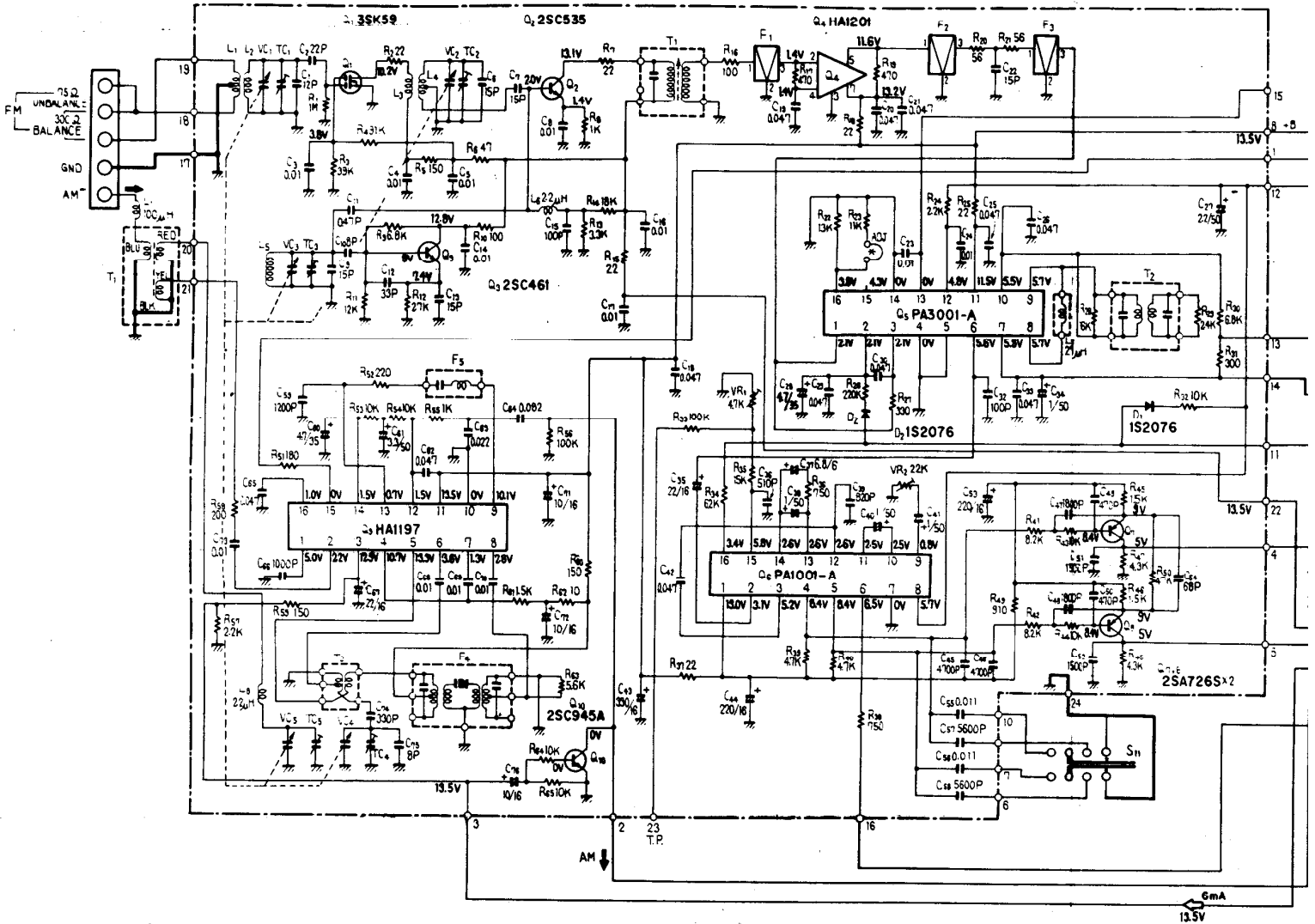


X-780

S. S/G

PIONEER SX 780
TUNER AMPLIFIER
Dia No. 138
Hi-Tone Radio Service
MT. Lavinia.

TUNER Ass'y AWE-099



SWITCHES:

- S₁ FUNCTION
- 1 AM
- 2 FM
- 3 PHONO
- 4 AUX

- S₂ TAPE MONITOR 2
- OFF — ON
- S₄ MODE
- STEREO — MONO
- S₅ LOUDNESS
- OFF — ON

- S₆ LOW FILTER
- OFF — 15Hz
- S₇ PROTECTION RELAY
- OFF — ON
- S₈ SPEAKER A
- OFF — ON

- S₉ SPEAKER B
- OFF — ON
- S₁₀ FM MUTING
- ON — OFF
- S₁₁ DE — EMPHASIS
- 75μs — 50μs — 25μs

- S₁₂ POWER
- OFF — ON
- S₁₃ LINE VOLTAGE
- SELECTOR
- 110V — 120V — 220V — 240V

RESISTORS:

IN OHM 1/4W ±5% TOLERANCE UNLESS OTHERWISE NOTED K: KΩ M: MΩ

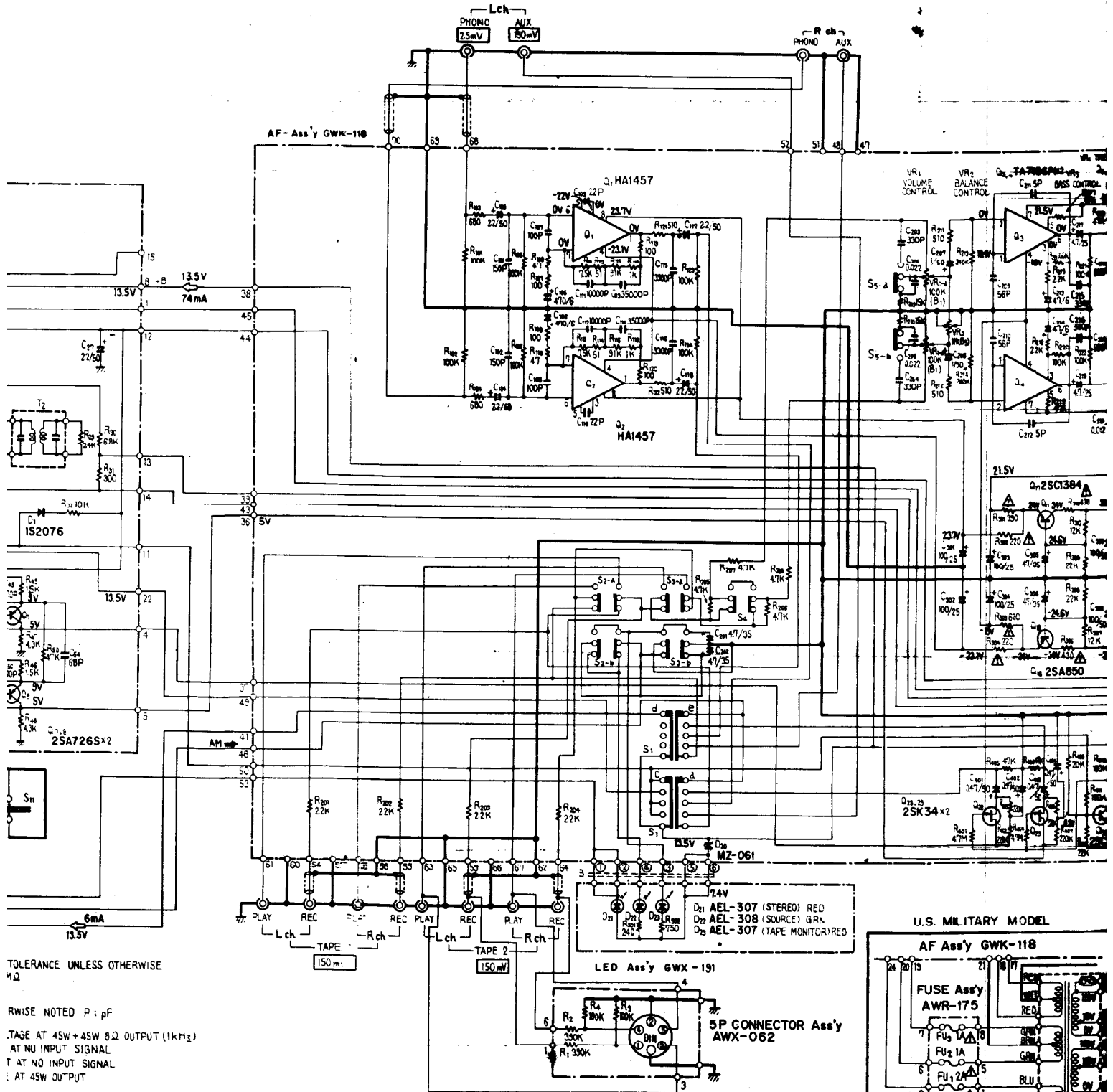
CAPACITORS:

IN μF UNLESS OTHERWISE NOTED P: pF

V: SIGNAL VOLTAGE AT 45W + 45W 8Ω OUTPUT (1K)
V: DC VOLTAGE AT NO INPUT SIGNAL
mA: DC CURRENT AT NO INPUT SIGNAL
(V): DC VOLTAGE AT 45W OUTPUT

This is the basic schematic diagram, but the actual circuit may vary due to improvements in design.

The Δ mark found on importance of the safe when replacing, be s designation.



TOLERANCE UNLESS OTHERWISE NOTED

RWISE NOTED P : pF

TAPE AT 45W + 45W 8Ω OUTPUT (1KHz)
 AT NO INPUT SIGNAL
 † AT NO INPUT SIGNAL
 ‡ AT 45W OUTPUT

The Δ mark found on some component parts indicates the importance of the safety factor of the part. Therefore, when replacing, be sure to use parts of identical designation.

