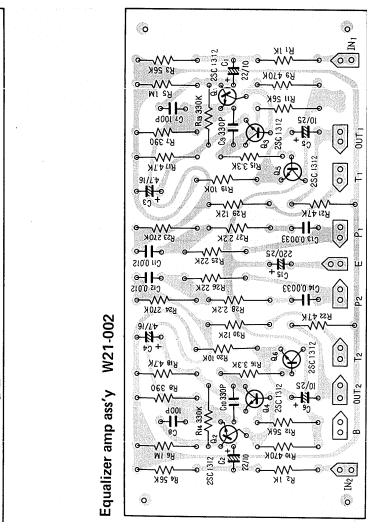
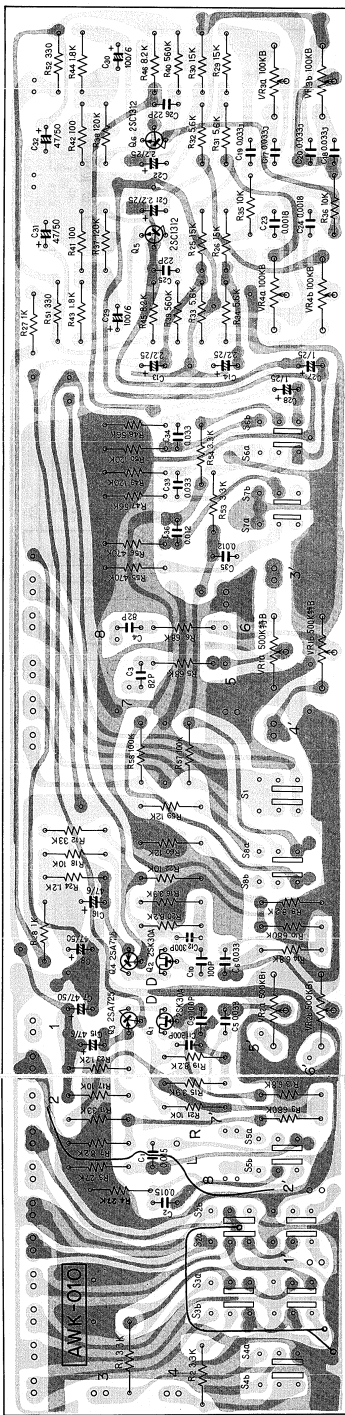
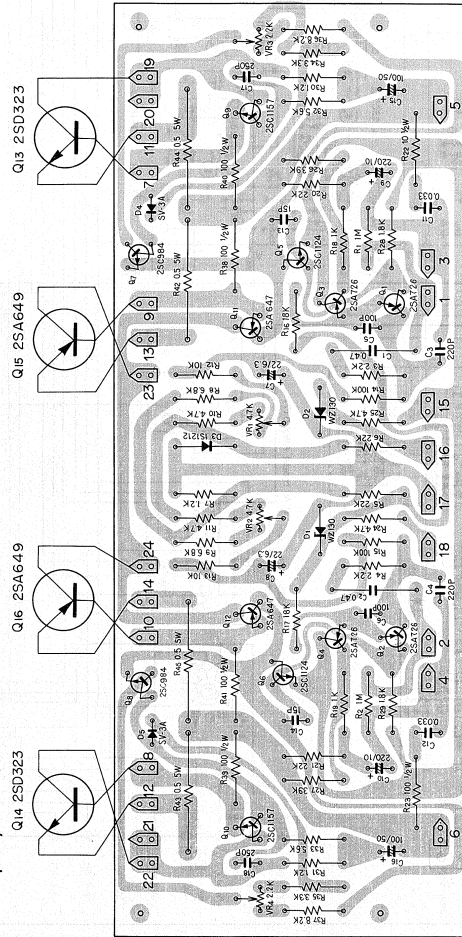


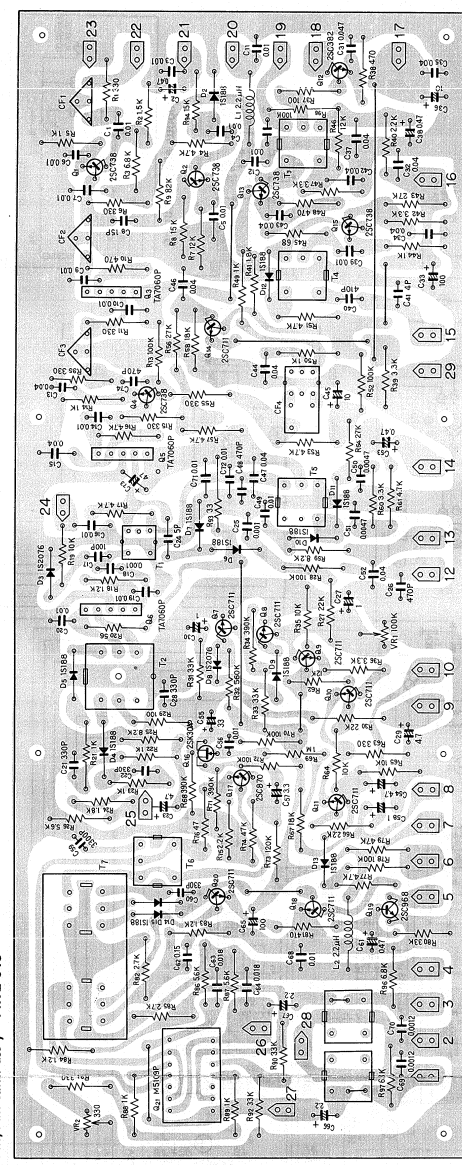
AF amp ass'y AWK-010



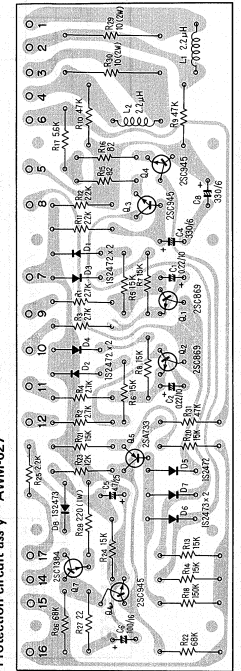
Power amp ass'y AMH-011



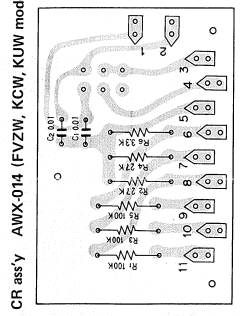
FM, AM tuner ass'y AWE-015



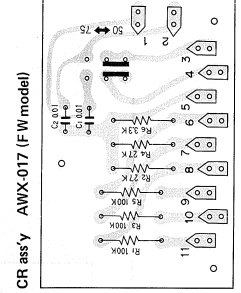
Protection circuit ass'y AWM-027



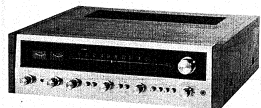
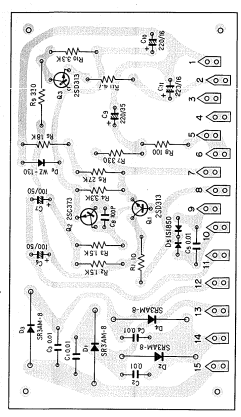
CR ass'y AWX-014 (FVZW, KCW, KUW model)



CR ass'y AWX-017 (FW model)

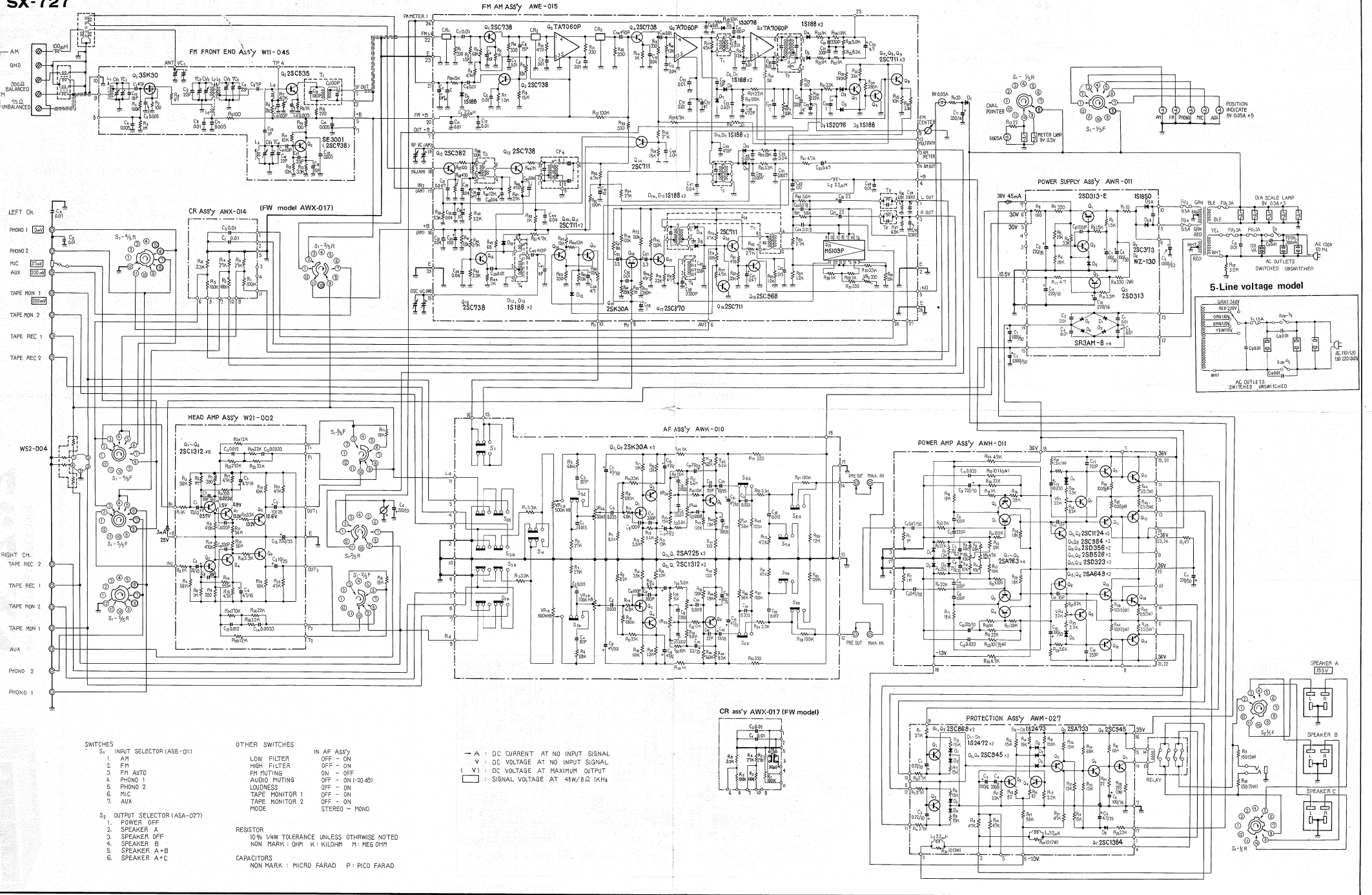


Power supply ass'y AWR-011



AM/FM STEREO RECEIVER  
**SX-727**  
 FVZW FW KCW KUW

# SX-727



- SWITCHES**
- S<sub>1</sub> INPUT SELECTOR (ASB-011)
  - 1. AM
  - 2. FM
  - 3. FM AUTO
  - 4. PHONO 1
  - 5. PHONO 2
  - 6. MIC
  - 7. AUX
- S<sub>2</sub> OUTPUT SELECTOR (ASA-027)
- 1. POWER OFF
  - 2. SPEAKER A
  - 3. SPEAKER OFF
  - 4. SPEAKER B
  - 5. SPEAKER A+B
  - 6. SPEAKER A+C

- OTHER SWITCHES**
- LOW FILTER OFF - ON
  - HIGH FILTER OFF - ON
  - FM MUTING ON - OFF
  - AUDIO MUTING OFF - ON (1-20 dB)
  - LOUDNESS OFF - ON
  - TAPE MONITOR 1 OFF - ON
  - TAPE MONITOR 2 OFF - ON
  - STEREO - MONO MODE

- IN AF Ass'y**
- A — DC CURRENT AT NO INPUT SIGNAL
  - V — DC VOLTAGE AT NO INPUT SIGNAL
  - ( V ) DC VOLTAGE AT MAXIMUM OUTPUT
  - SIGNAL VOLTAGE AT 48W/8Ω 1KHz
- RESISTOR**
- 10% 1/4W TOLERANCE UNLESS OTHERWISE NOTED
- NON MARK : OHM K: KILOHM M: MEG OHM
- CAPACITORS**
- NON MARK : MICRO FARAD P: PICO FARAD

