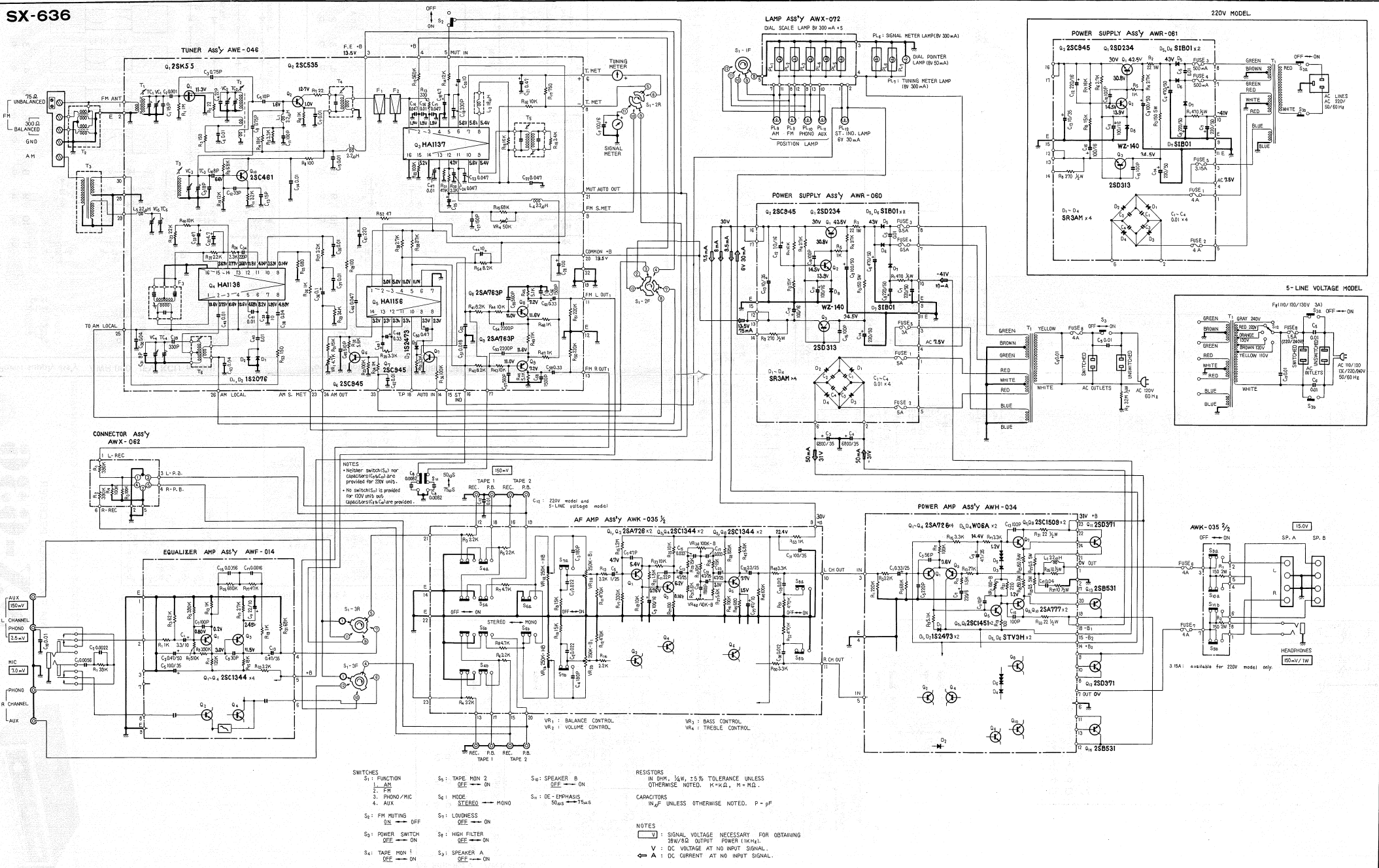


SX-636



NOTES
 * Number switch (S1) not shown in schematic area provided for 220V unit.
 * No switch (S1) is provided for 120V unit only.
 Capacitors C1 & C2 are provided.

SWITCHES
 S1: FUNCTION
 1. AM
 2. FM
 3. PHONO/MIC
 4. AUX
 S2: FM MUTING
 ON OFF
 S3: POWER SWITCH
 ON OFF
 S4: TAPE MON 1
 ON OFF
 S5: TAPE MON 2
 ON OFF
 S6: MODE
 STEREO MONO
 S7: LOUDNESS
 ON OFF
 S8: HIGH FILTER
 ON OFF
 S9: SPEAKER A
 ON OFF
 S10: TAPE MON 3
 ON OFF

RESISTORS
 IN OHM, 1/4W, 5% TOLERANCE UNLESS OTHERWISE NOTED. K=K, M=M, Ω.
CAPACITORS
 IN μF UNLESS OTHERWISE NOTED. P=μF

NOTES
 [Symbol] SIGNAL VOLTAGE NECESSARY FOR OBTAINING 200mA/D. OUTPUT POWER (144-1).
 V = DC VOLTAGE AT NO INPUT SIGNAL.
 ← A = DC CURRENT AT NO INPUT SIGNAL.