

ADDITIONAL

 **PIONEER**

Service Manual

AM/FM STEREO RECEIVER

SX-1280 S S/G

- This additional service manual provides the description of the parts applied only S, and S/G types.
- For detailed instructions on adjustments, circuit descriptions, exploded views, etc., please refer to this Service Manual (page 3 ~ page 80).

1. SPECIFICATIONS

Preamplifier Section

Input (Sensitivity/Impedance)

TAPE PLAY 2 (DIN connector) 150mV/50kilohms

Output Level/Impedance

TAPE 2 (DIN connector) 30mV/80kilohms

Miscellaneous

Power requirements 110V, 120V, 220V, 240V
 switchable, 50/60Hz

Power Consumption 1100W (max.)

Furnished Parts

Fuse 6A 1

Fuse 12A 1

2. CONTRAST OF MISCELLANEOUS PARTS

NOTE:

- Capacitors: in μF unless otherwise noted p:pF
- Resistors: in Ω , $\frac{1}{4}W$ unless otherwise noted k:k Ω , M:M Ω

P.C. BOARD ASSEMBLIES

Symbol & Description	Part No.			Remarks
	KU	S	S/G	
Fuse assembly 5P connector assembly	AWX-126	AWX-134 AWX-062	AWX-134 AWX-062	

TRANSFORMER

Symbol & Description	Part No.			Remarks
	KU	S	S/G	
T1 Power transformer	ATT-447	ATT-474	ATT-475	

SWITCHES

Symbol & Description	Part No.-			Remarks
	KU	S	S/G	
S26 Plug in selector (line voltage selector)	AKR-031	AKR-031	
S27 Slide switch (DE-EMPHASIS)	ASH-016	ASH-016	

CAPACITORS

Symbol & Description	Part No.			Remarks
	KU	S	S/G	
C5 Ceramic 0.01 125V	ACG-003	
C5 Ceramic 0.01 250V	ACG-001	ACG-001	
C14 Ceramic 0.01 250V	ACG-001	ACG-001	

RESISTOR

Symbol & Description	Part No.			Remarks
	KU	S	S/G	
R1 Carbon film 2.2M 1/2W	RD1/2PS 225J	

FUSES

Symbol & Description	Parts No.			Remarks
	KU	S	S/G	
FU1 Fuse 12A	AEK-301	AEK-301	
FU1 Fuse 6A	AEK-109	

OTHERS

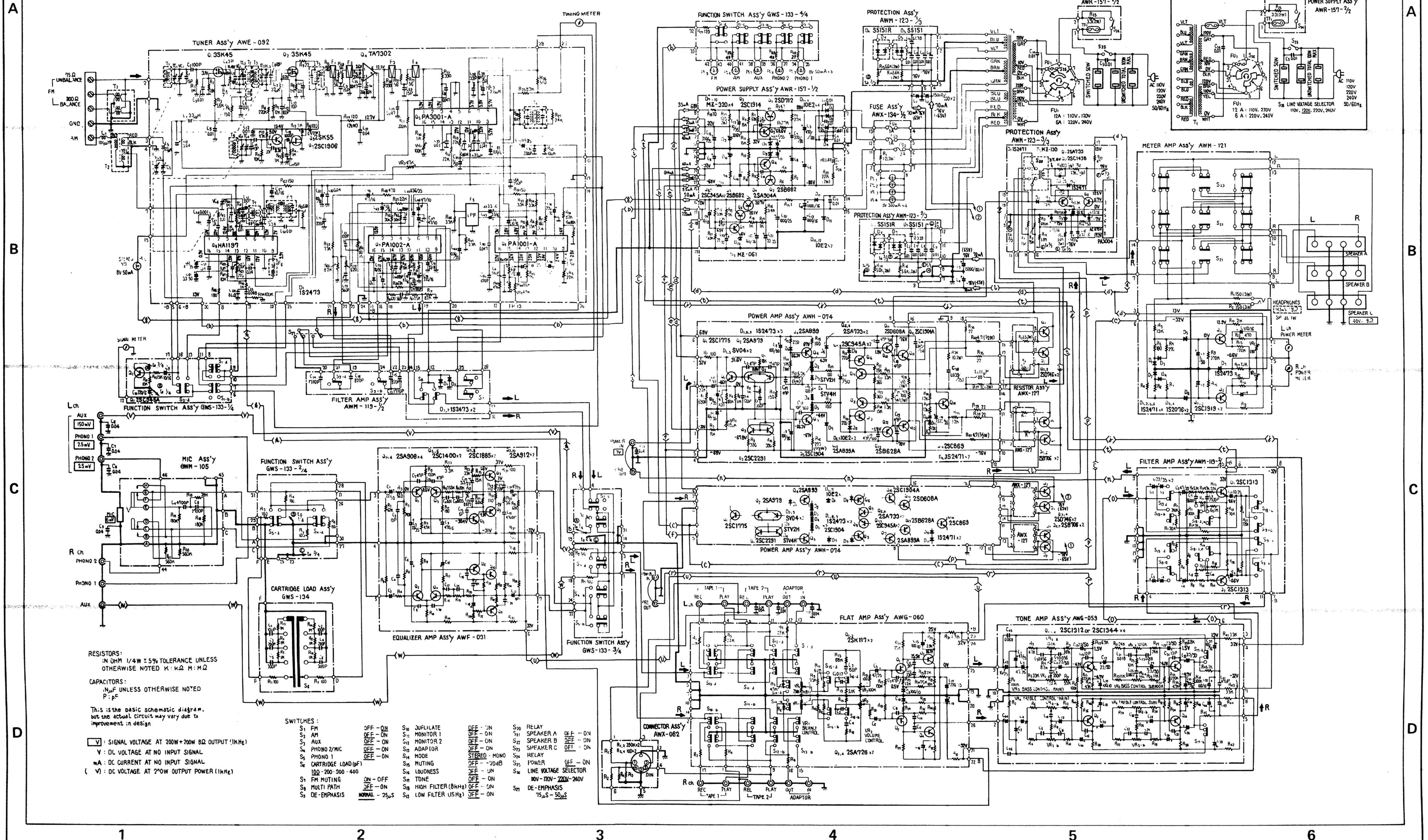
Symbol & Description	Part No.			Remarks
	KU	S	S/G	
AC power cord	ADG-013	ADG-013	ADG-015	
Condenser cover	AEC-297	AEC-099	AEC-099	
Operating instructions	ARB-244	ARB-247	ARB-247	
Vinyl pouch	E11-033	E11-033	
Spare fuse 12A	AEK-301	AEK-301	
Spare fuse 6A	AEK-109	AEK-109	
AC socket	AKP-005	AKP-020	AKP-020	

4. SCHEMATIC DIAGRAMS, P.C. BOARD PATTERNS AND PARTS LIST

4.1 SCHEMATIC DIAGRAM

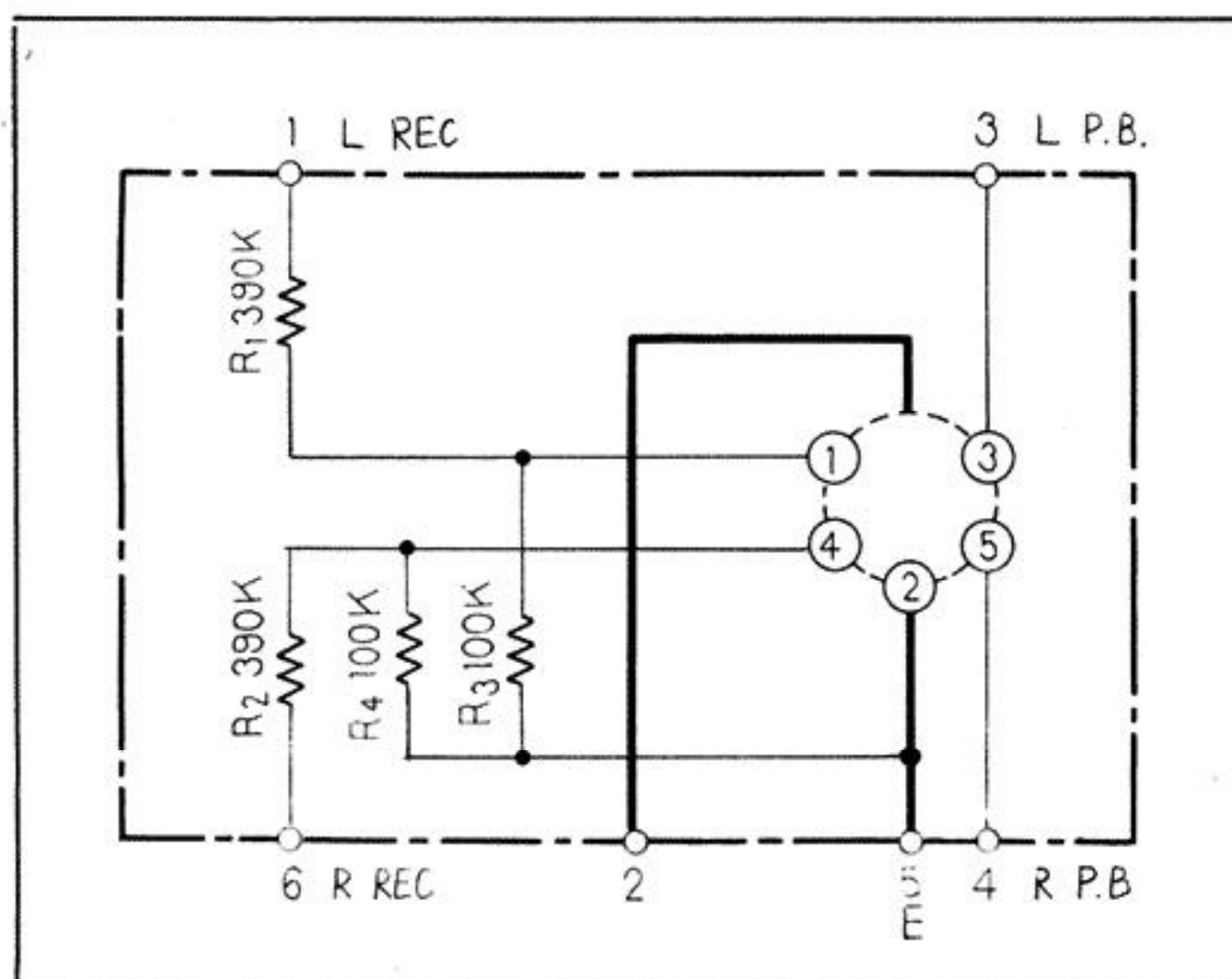
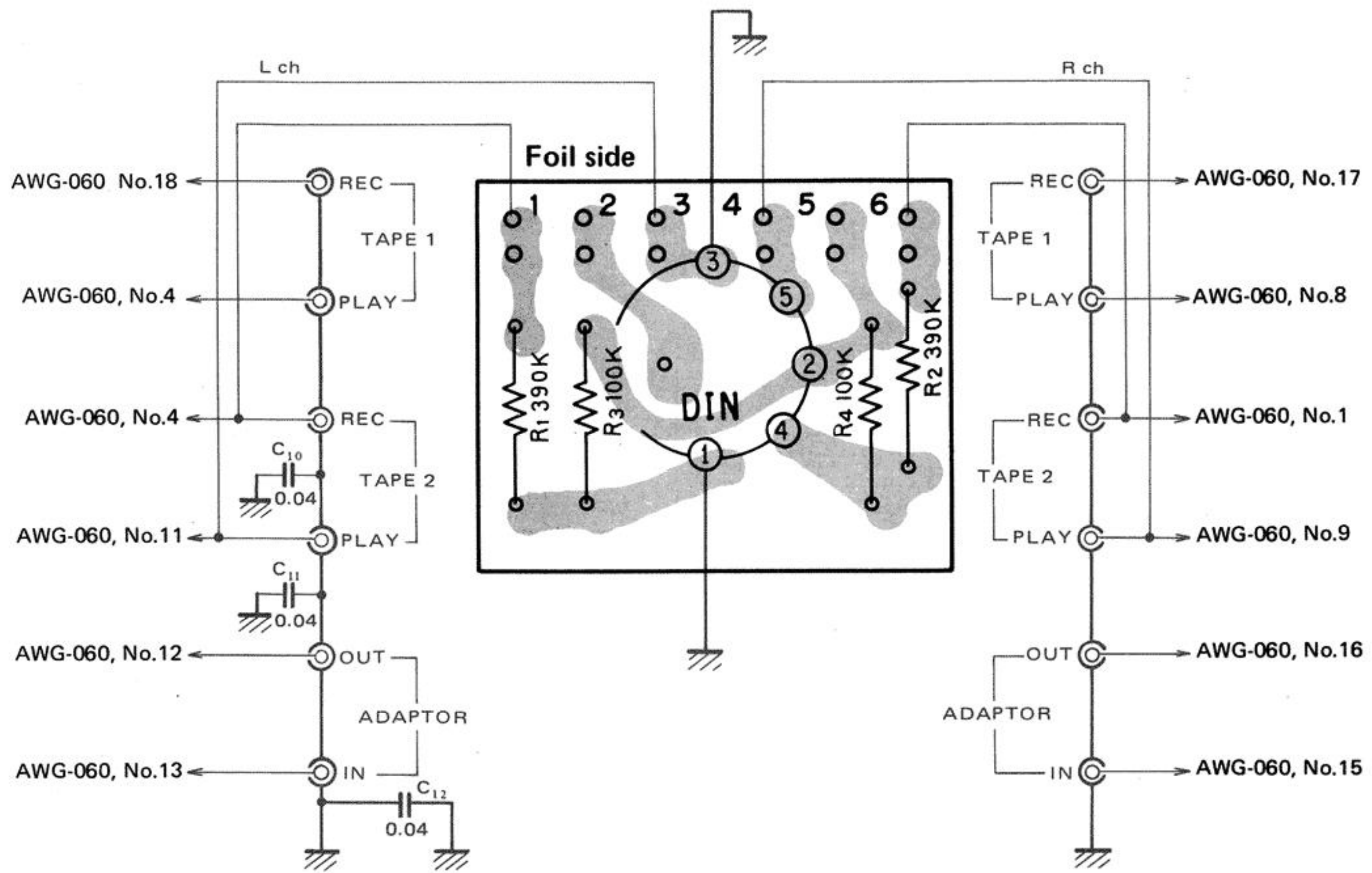
NOTE:

The indicated semiconductors are representative ones only. Other alternative semiconductors may be used and are listed in the parts list.



SX-1280/S, S/G

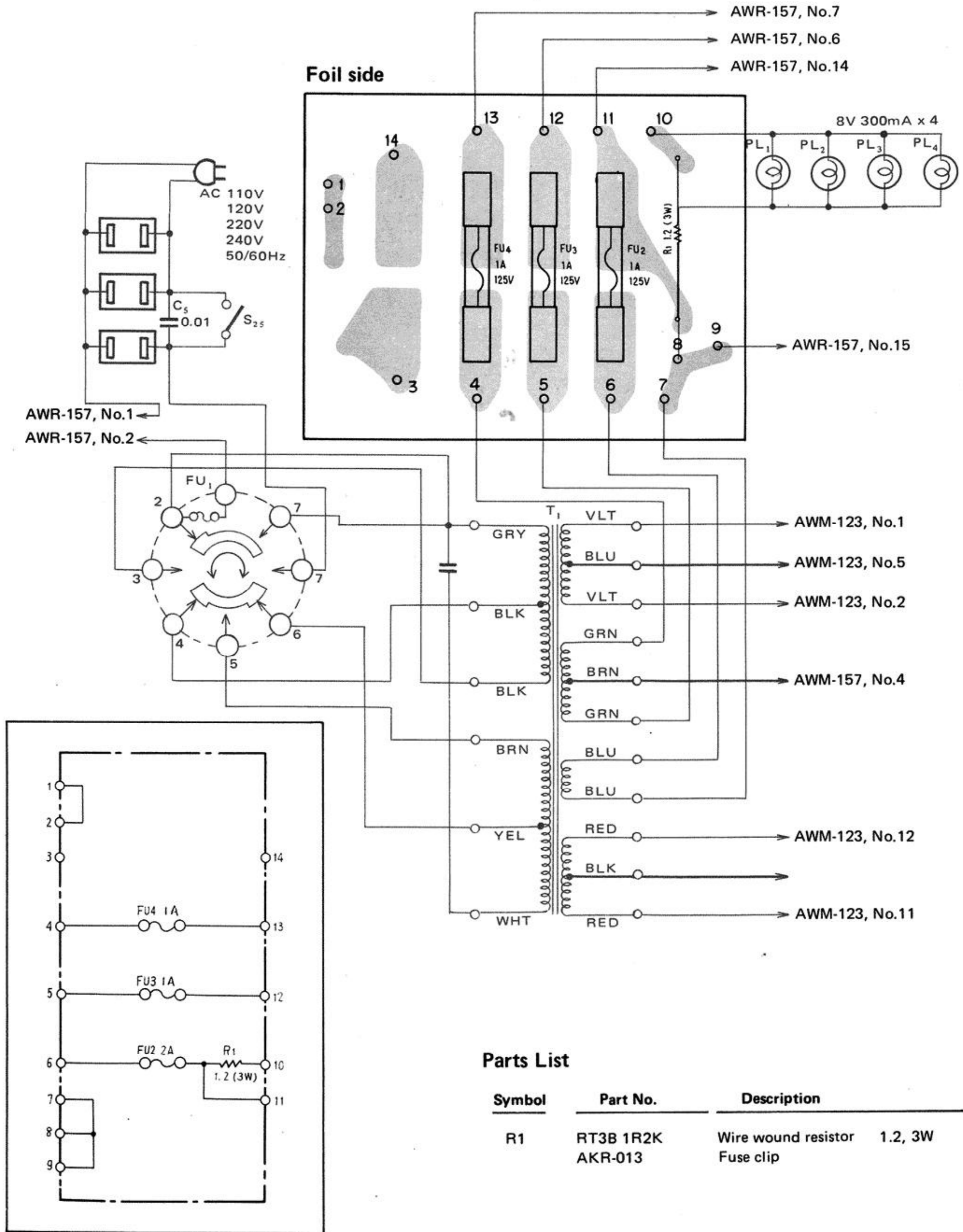
4.2 5P CONNECTOR ASSEMBLY (AWX-062)



Parts List

Symbol	Part No.	Description
R1	RD¼PS 394J	Carbon film resistor 390k
R2	RD¼PS 394J	Carbon film resistor 390k
R3	RD¼PS 104J	Carbon film resistor 100k
R4	RD¼PS 104J	Carbon film resistor 100k
	AKP-007	Connector socket 5p (REC/PLAY)

4.3 FUSE ASSEMBLY (AWX-134)



Parts List

Symbol	Part No.	Description
R1	RT3B 1R2K AKR-013	Wire wound resistor Fuse clip

PIONEER ELECTRONIC CORPORATION

4-1 Meguro-cho, Meguro-ku, Tokyo 153, Japan

U.S. PIONEER ELECTRONICS CORPORATION

85 Oxford Drive, Moonachie, New Jersey, 07074, U.S.A.

PIONEER ELECTRONIC (EUROPE) N.V.

Luiflage, Havel 9, 2030 Antwerp, Belgium

PIONEER ELECTRONICS AUSTRALIA PTY. LTD.

+78-184 Boundary Road, Bayside, Victoria 3195, Australia

1977