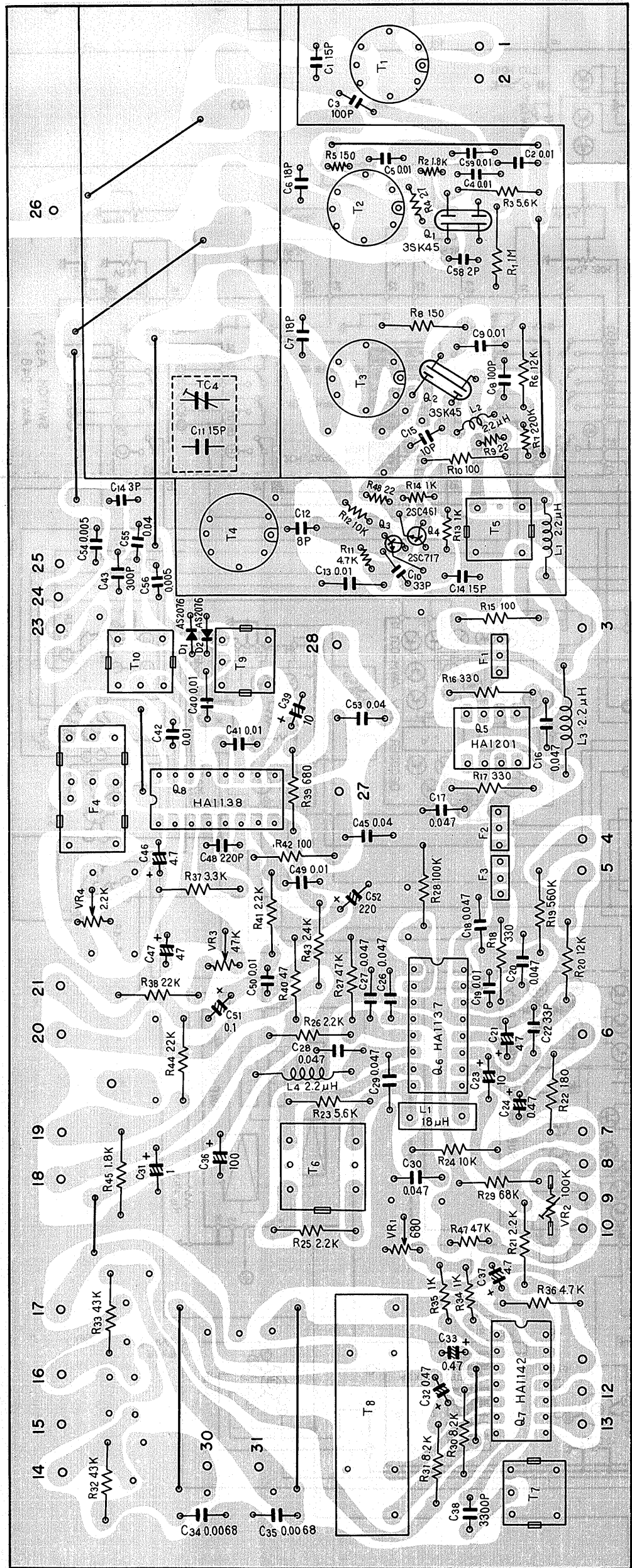
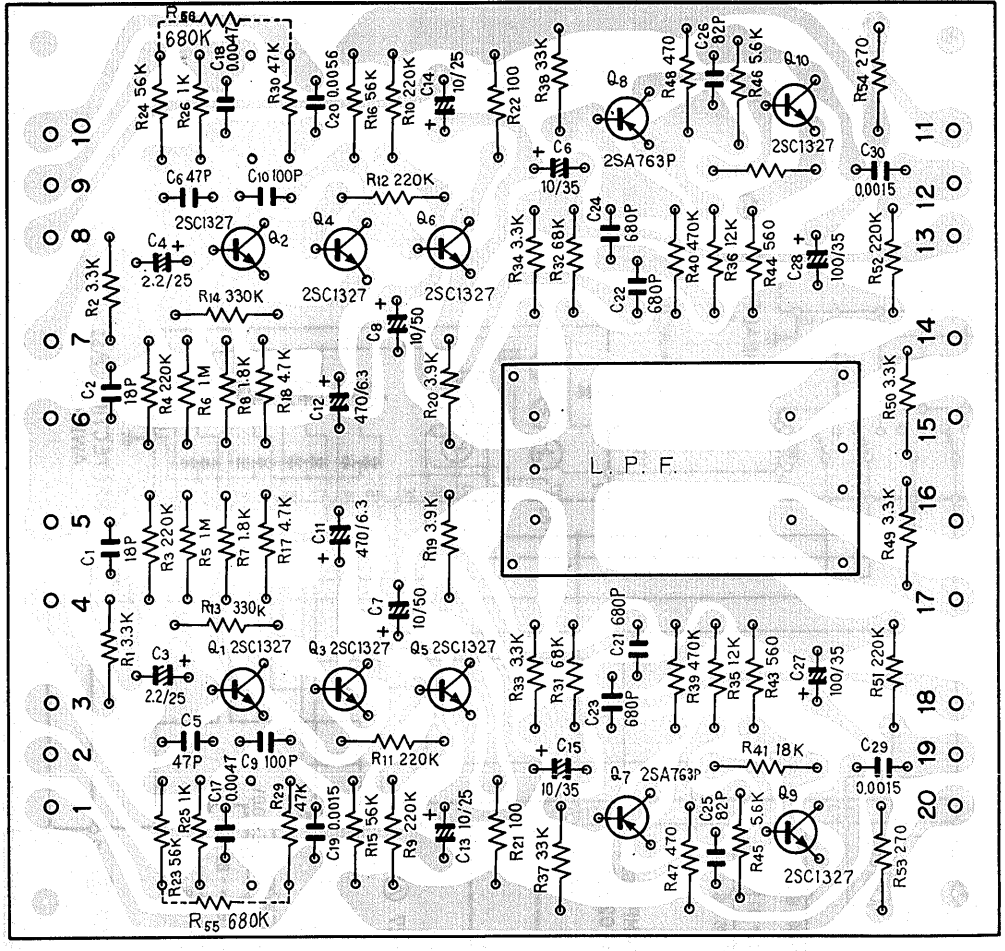


Tuner ass'y AWE-027

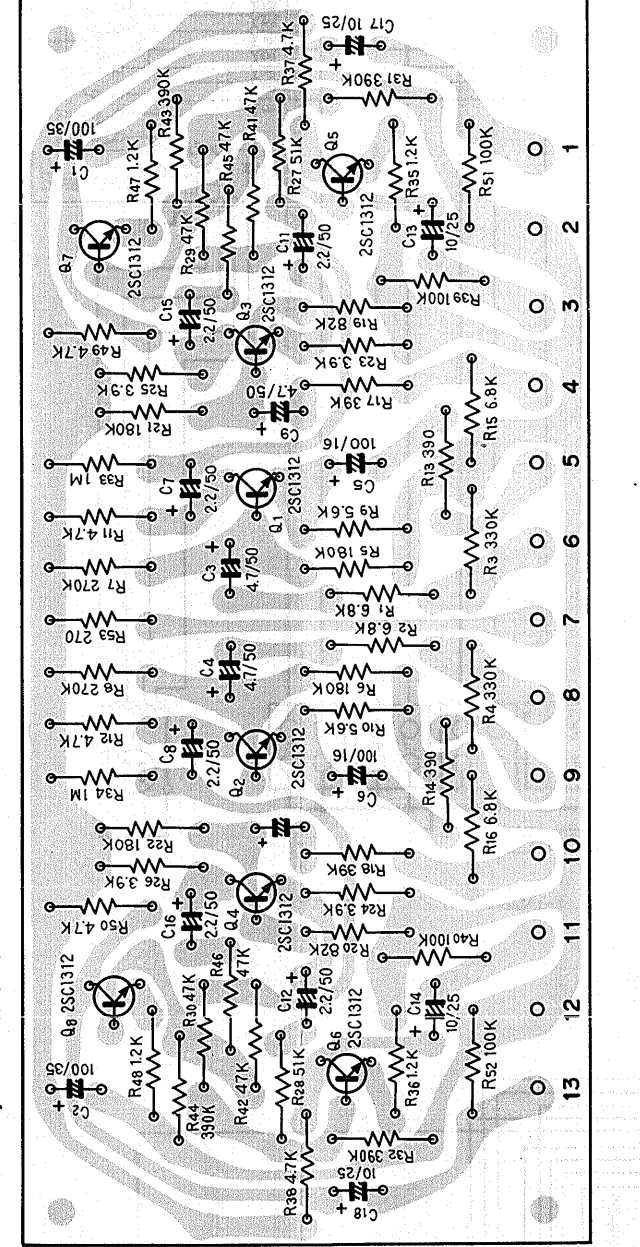


Equalizer amp ass'y AWF-010

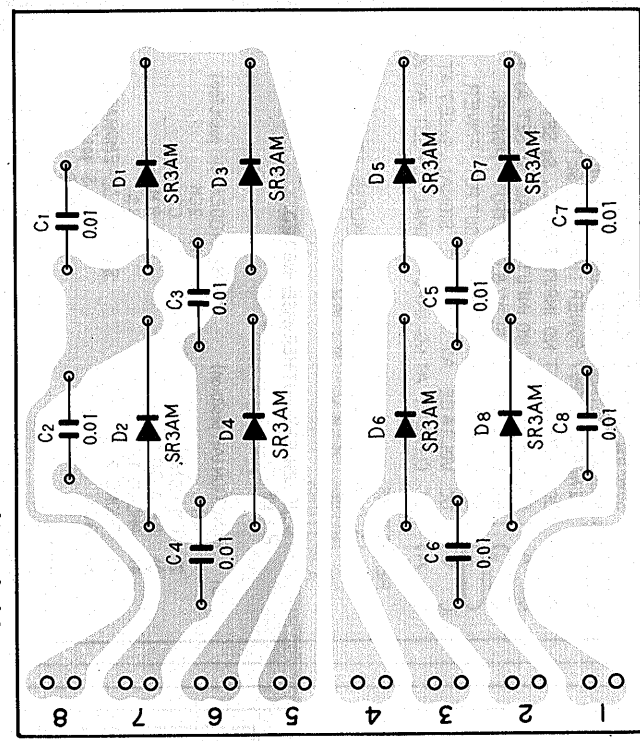


QUADRAPHONIC RECEIVER
QX-949
 FV FUW

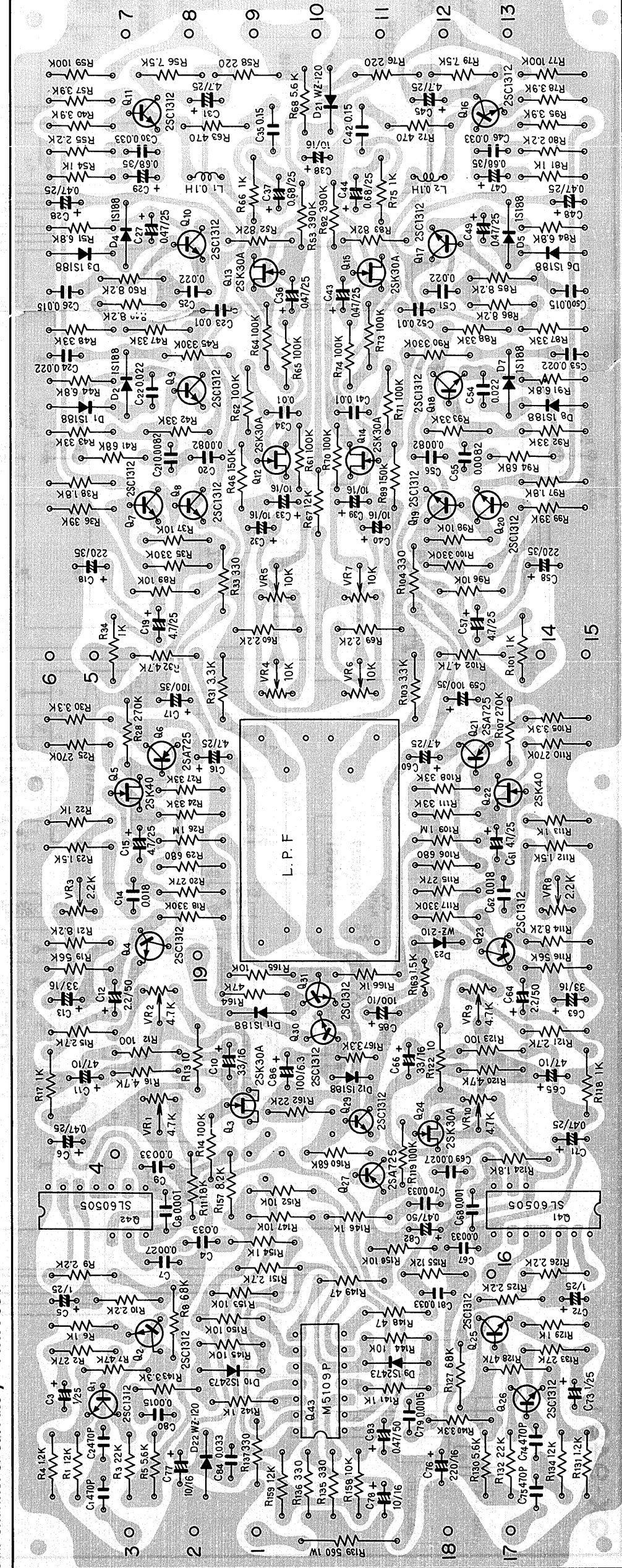
Matrix ass'y AWM-048



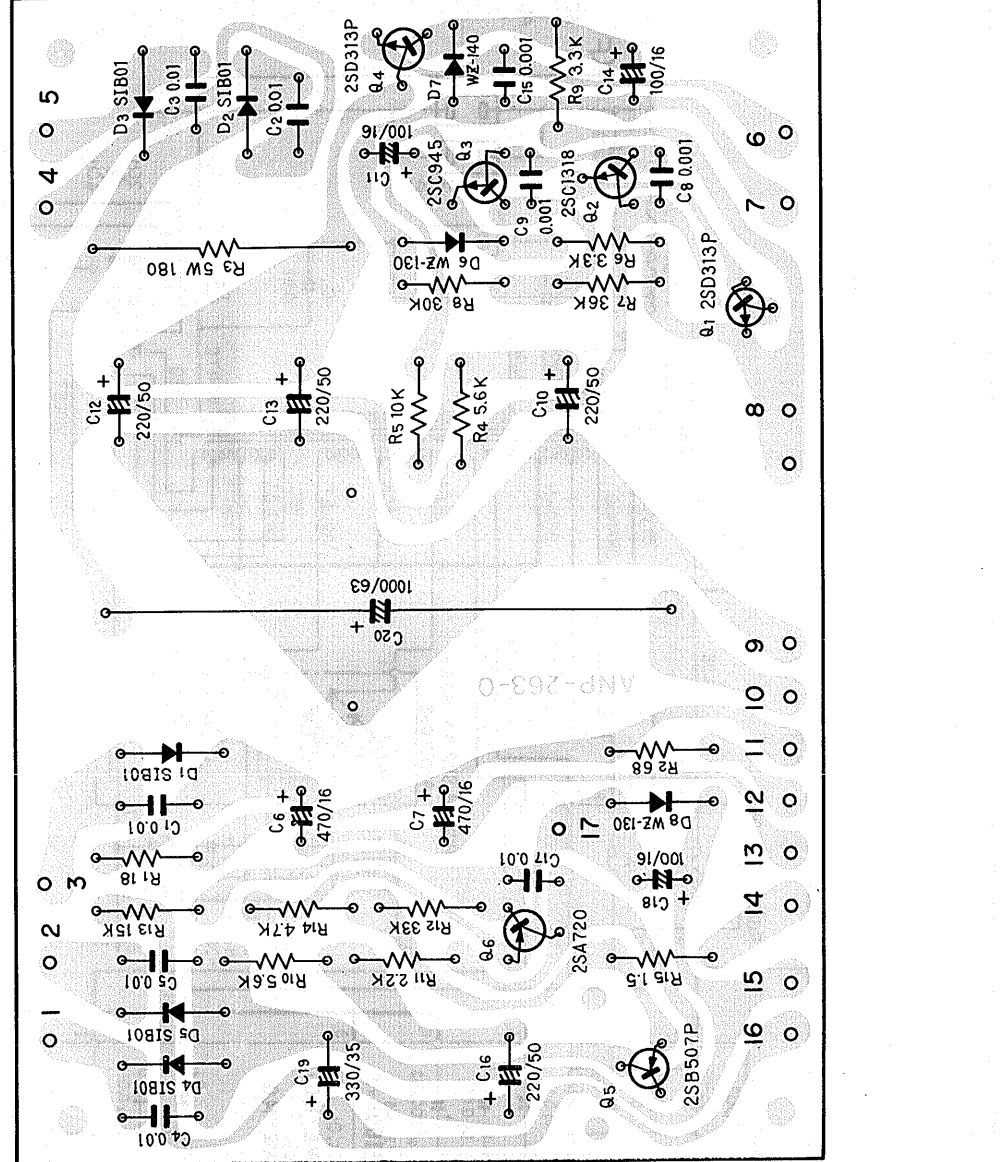
Power supply ass'y B AWR-039



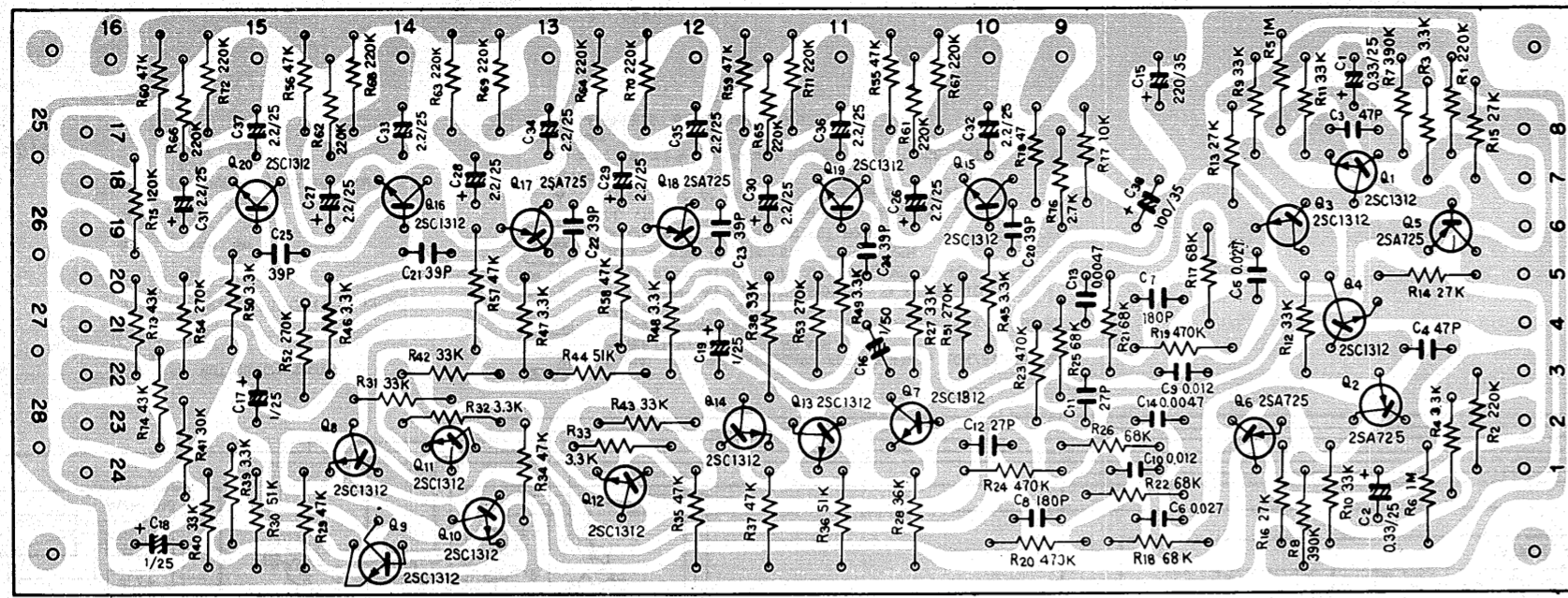
Sub channel circuit ass'y AWX-051



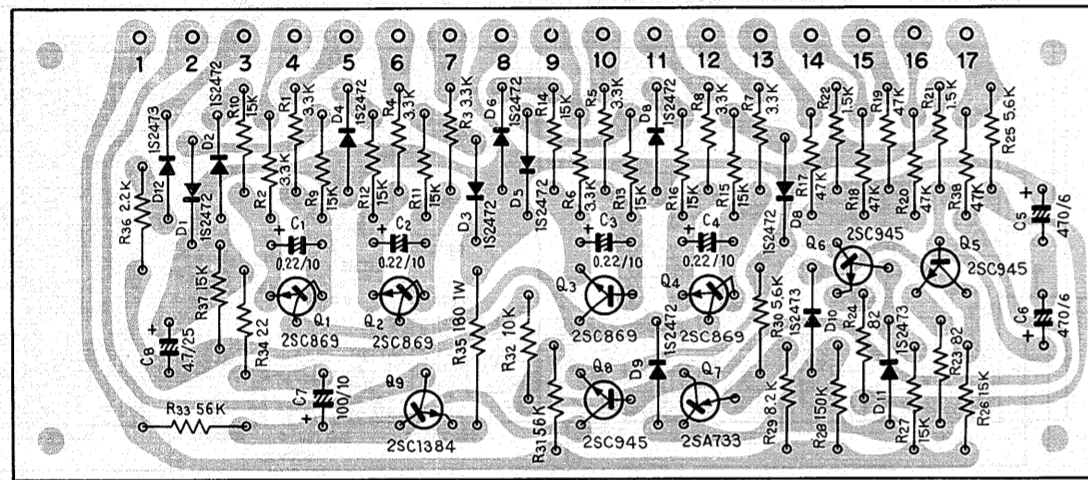
Power supply ass'y A AWR-038



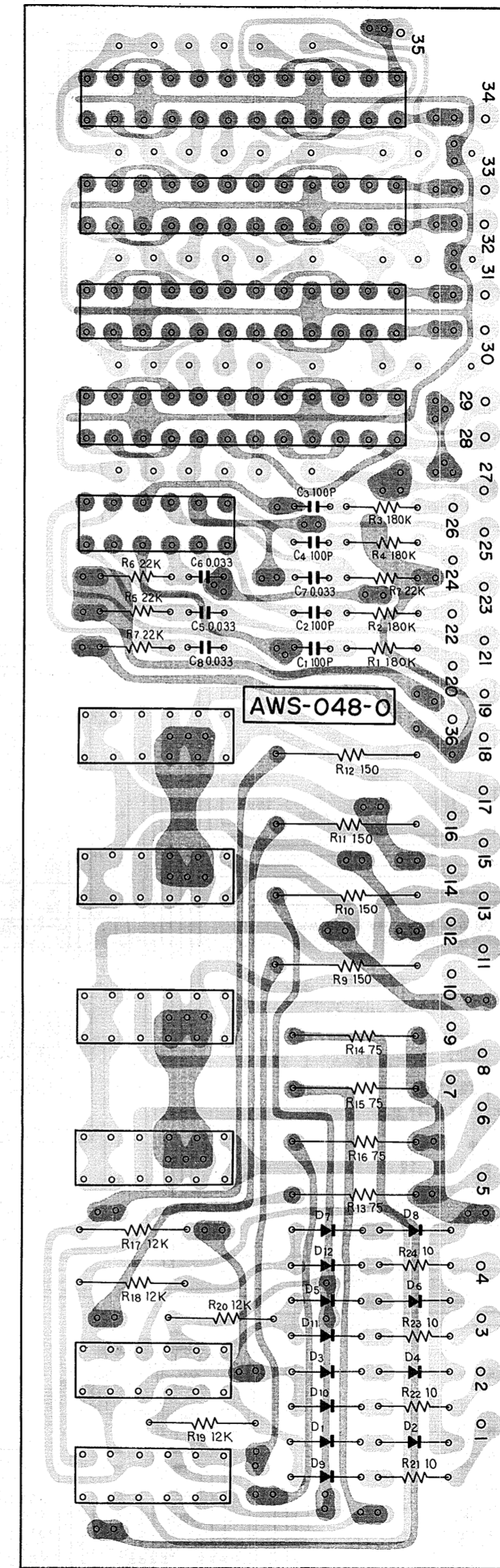
Decoder ass'y AWM-031



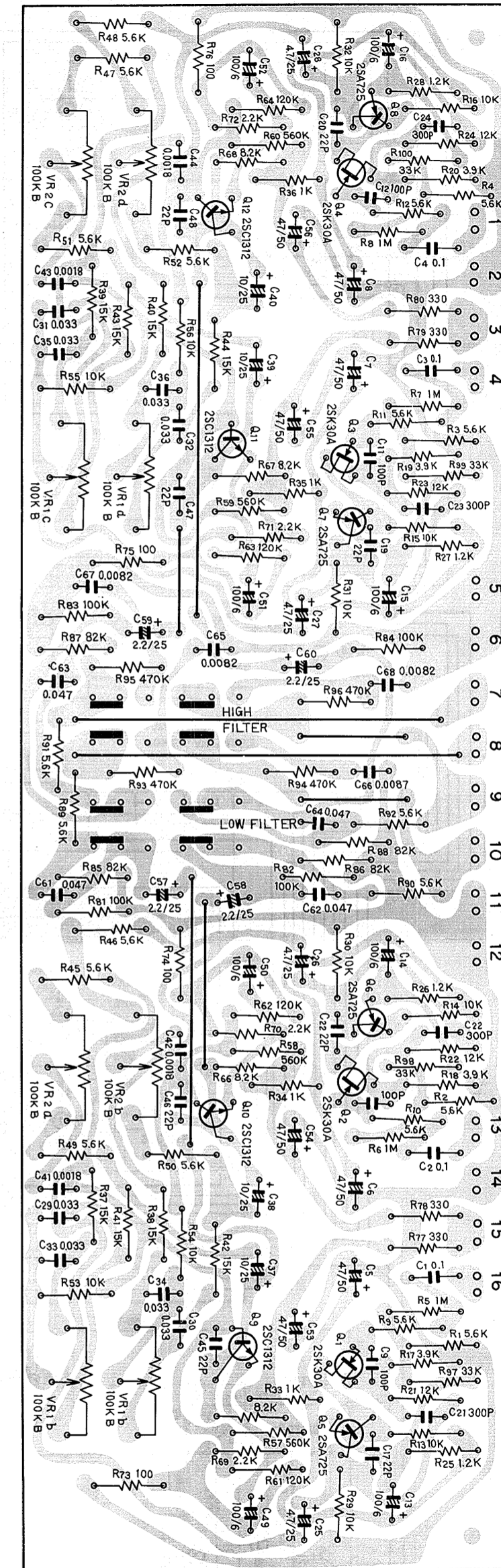
Protection circuit ass'y AWM-049



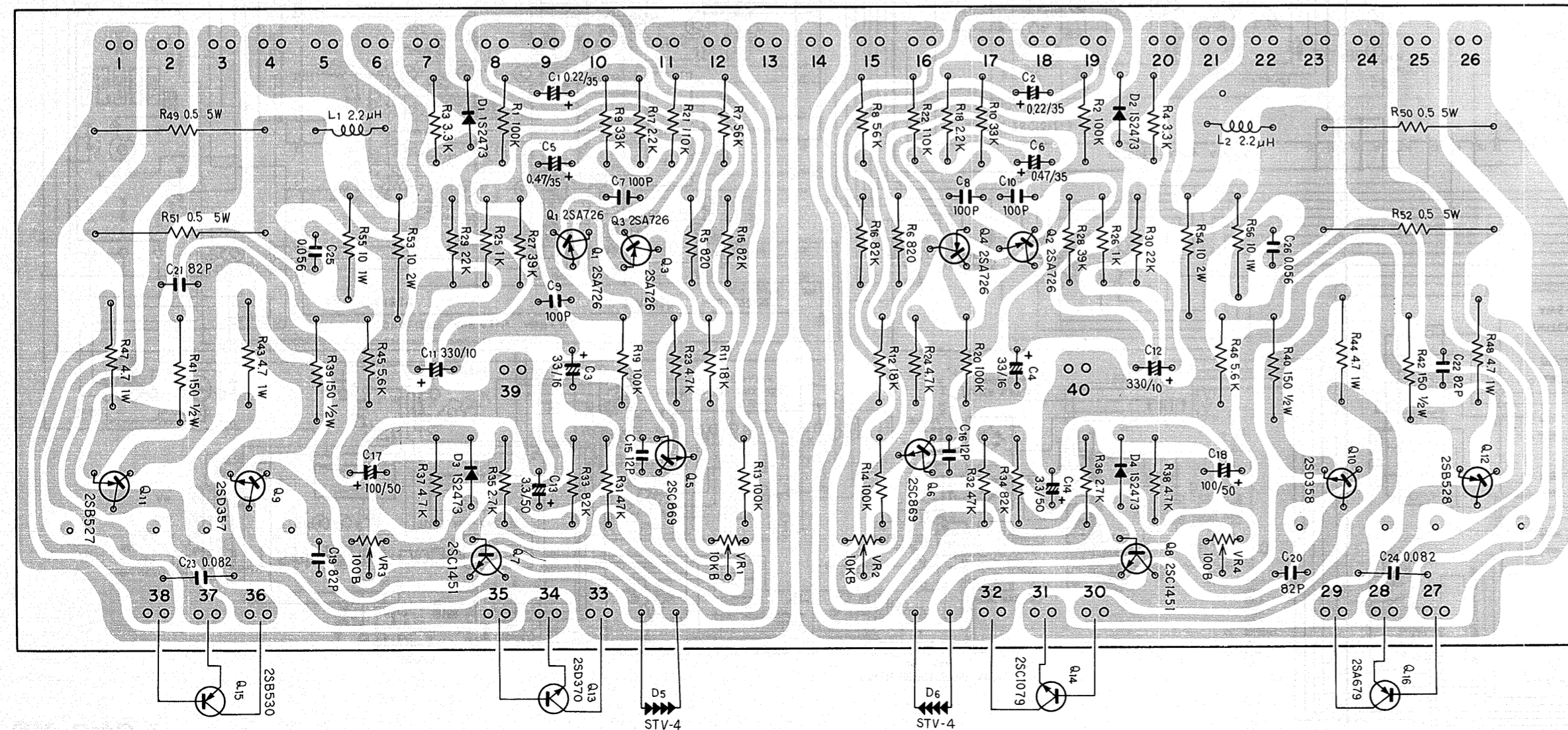
Switch ass'y AWS-048

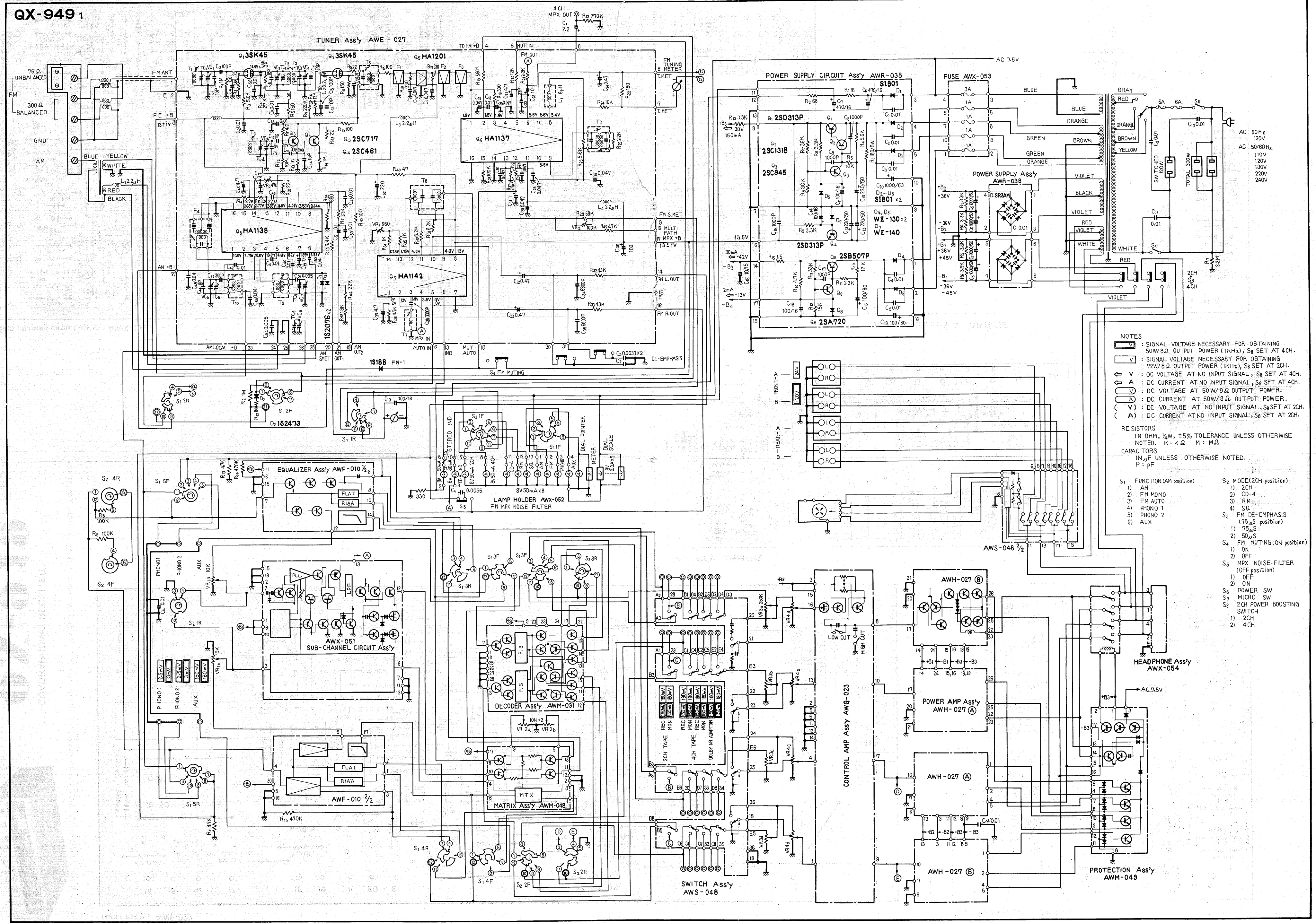


Control amp ass'y AWG-023



Power amp ass'y AWH-027





NOTES

- ⎓ : SIGNAL VOLTAGE NECESSARY FOR OBTAINING 50W/8Ω OUTPUT POWER (1KHz), S₈ SET AT 4CH.
- V : SIGNAL VOLTAGE NECESSARY FOR OBTAINING 72W/8Ω OUTPUT POWER (1KHz), S₈ SET AT 2CH.
- ⎓ V : DC VOLTAGE AT NO INPUT SIGNAL, S₈ SET AT 4CH.
- A : DC CURRENT AT NO INPUT SIGNAL, S₈ SET AT 4CH.
- ⎓ V : DC VOLTAGE AT 50W/8Ω OUTPUT POWER.
- A : DC CURRENT AT 50W/8Ω OUTPUT POWER.
- (V) : DC VOLTAGE AT NO INPUT SIGNAL, S₈ SET AT 2CH.
- (A) : DC CURRENT AT NO INPUT SIGNAL, S₈ SET AT 2CH.

RESISTORS
IN OHM, 1/4W, ±5% TOLERANCE UNLESS OTHERWISE NOTED. K: KΩ M: MΩ

CAPACITORS
IN μF UNLESS OTHERWISE NOTED.
P: pF

- | | |
|---------------------------------------|--|
| S ₁ FUNCTION (AM position) | S ₂ MODE (2CH position) |
| 1) AM | 1) 2CH |
| 2) FM MONO | 2) CD-4 |
| 3) FM AUTO | 3) RM |
| 4) PHONO 1 | 4) SQ |
| 5) PHONO 2 | S ₃ FM DE-EMPHASIS (75μS position) |
| 6) AUX | 1) 75μS |
| | 2) 50μS |
| | S ₄ FM MUTING (ON position) |
| | 1) ON |
| | 2) OFF |
| | S ₅ MPX NOISE-FILTER (OFF position) |
| | 1) OFF |
| | 2) ON |
| | S ₆ POWER SW |
| | S ₇ MICRO SW |
| | S ₈ 2CH POWER BOOSTING SWITCH |
| | 1) 2CH |
| | 2) 4CH |

