

CASSETTE TAPE DECK

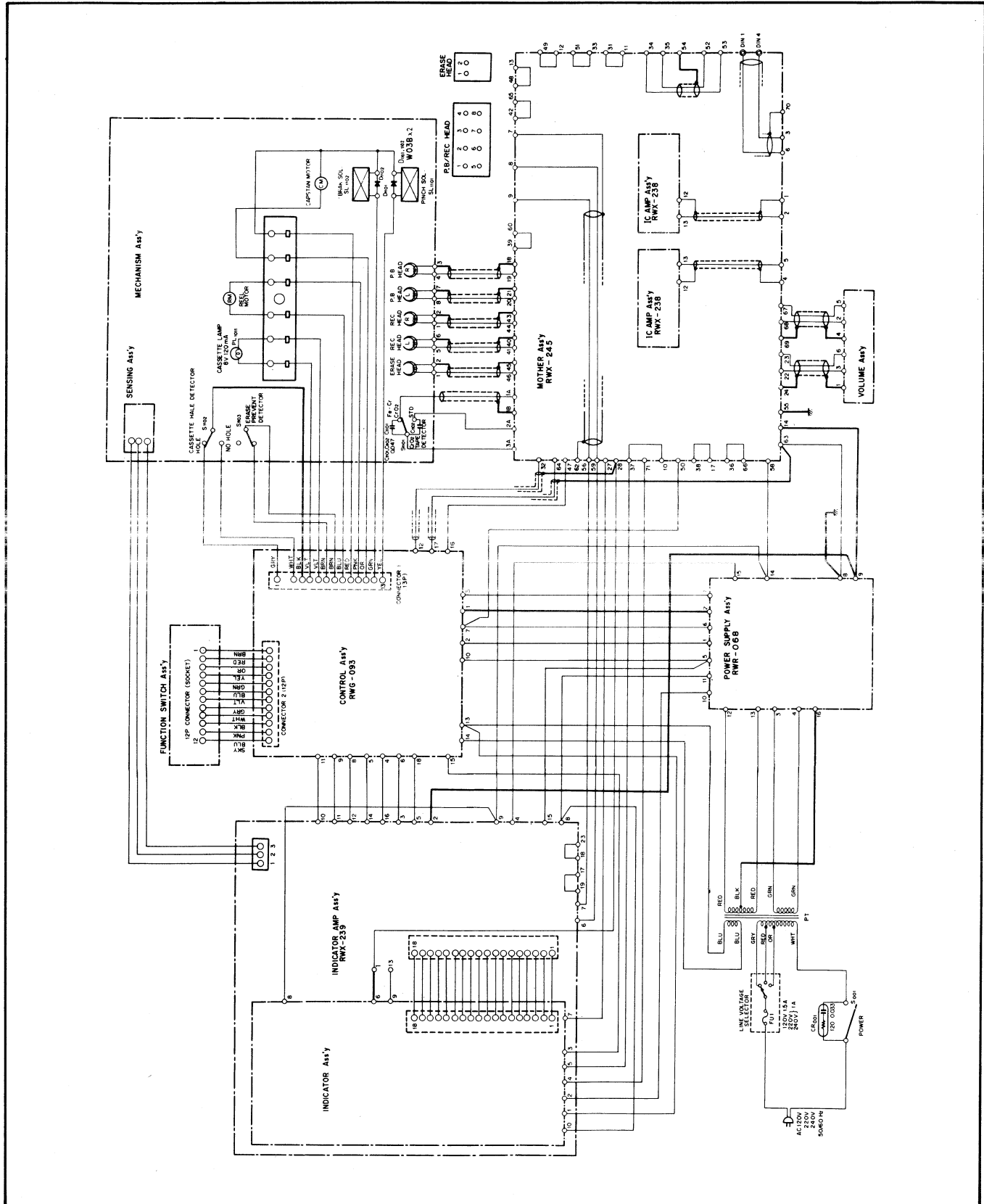
CT-F900

SERVICE MANUAL

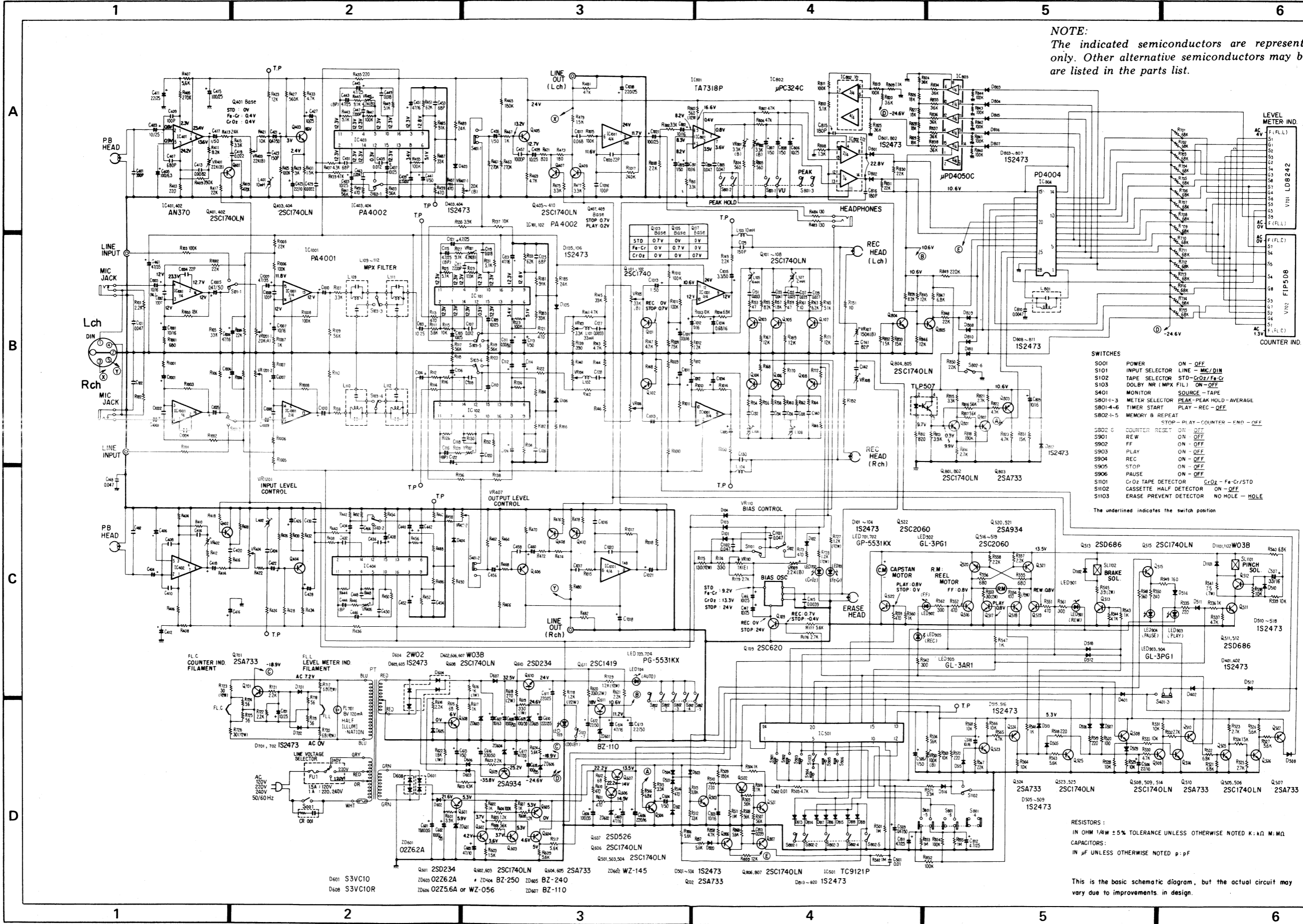


 PIONEER®

CONNECTION DIAGRAM OF CT-F900



NOTE: The indicated semiconductors are representative ones only. Other alternative semiconductors may be used and are listed in the parts list.



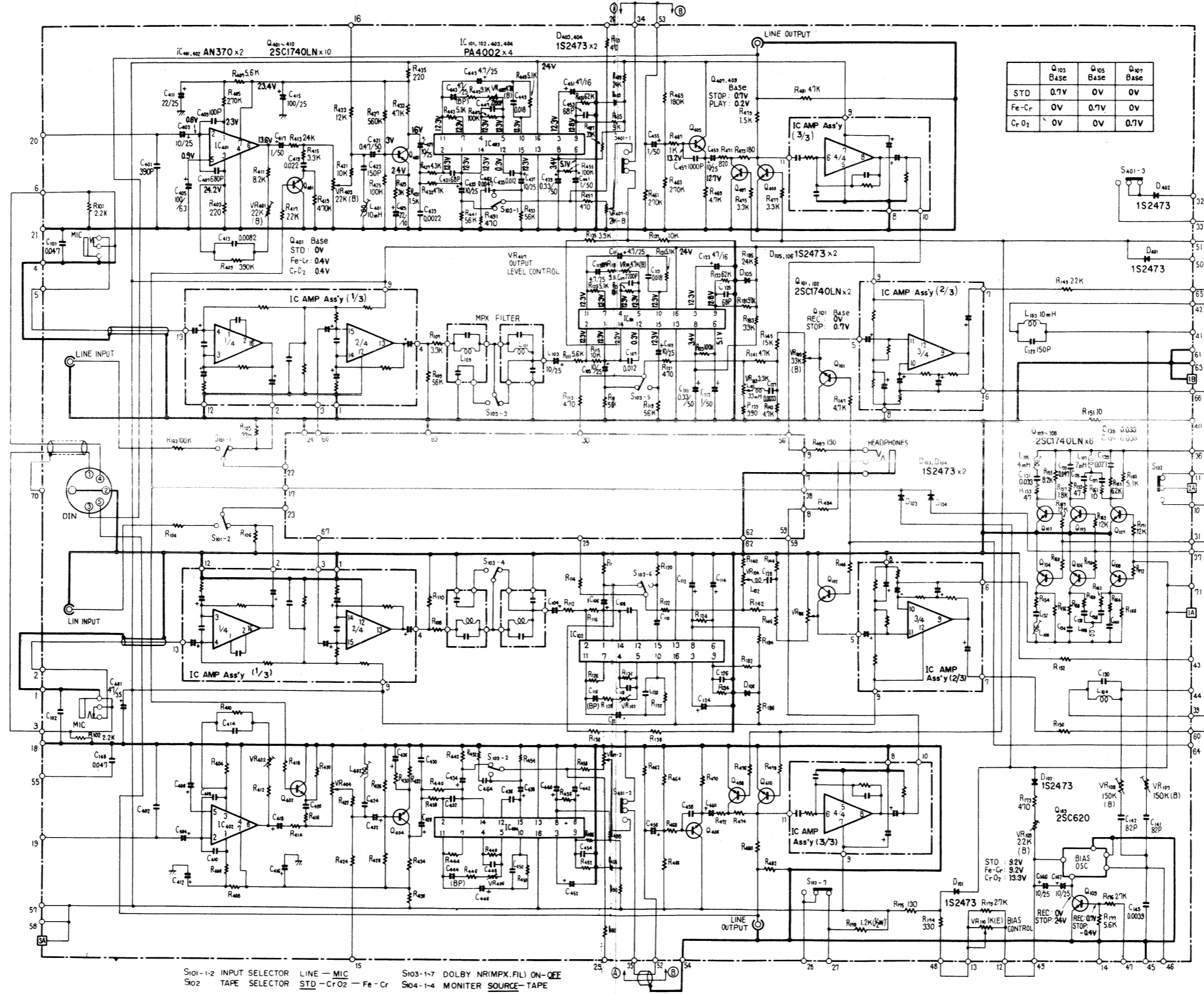
- SWITCHES**
- S001 POWER ON - OFF
 - S101 INPUT SELECTOR LINE - MIC/DIN
 - S102 TAPE SELECTOR STD - Cr/Gr/Fa-Cr
 - S103 DOLBY NR (MPX FIL) ON - OFF
 - S401 MONITOR SOURCE - TAPE
 - S801-1-3 METER SELECTOR PEAK - PEAK HOLD - AVERAGE
 - S801-4-6 TIMER START PLAY - REC - OFF
 - S802-1-5 MEMORY & REPEAT STOP - PLAY - COUNTER - END - OFF
 - S802-6 COUNTER RESET ON - OFF
 - S901 REW ON - OFF
 - S902 FF ON - OFF
 - S903 PLAY ON - OFF
 - S904 REC ON - OFF
 - S905 STOP ON - OFF
 - S906 PAUSE ON - OFF
 - S1101 Cr/Gr - Fa-Cr/STD
 - S1102 CASSETTE HALF DETECTOR ON - OFF
 - S1103 ERASE PREVENT DETECTOR NO HOLE - HOLE
- The underlined indicates the switch position

RESISTORS:
IN OHM 1/4W ±5% TOLERANCE UNLESS OTHERWISE NOTED K: kΩ M: MΩ

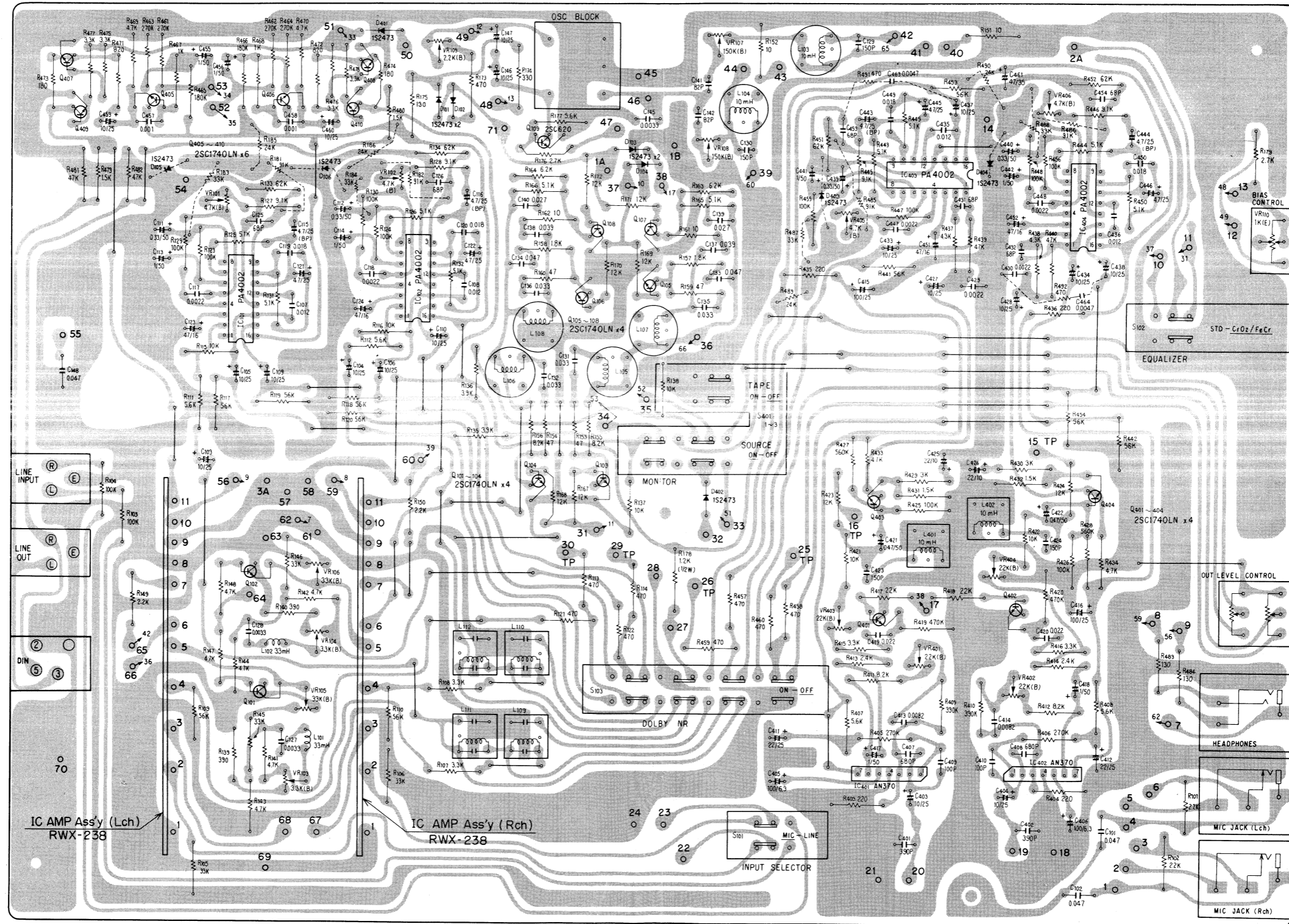
CAPACITORS:
IN μF UNLESS OTHERWISE NOTED p: pF

This is the basic schematic diagram, but the actual circuit may vary due to improvements in design.

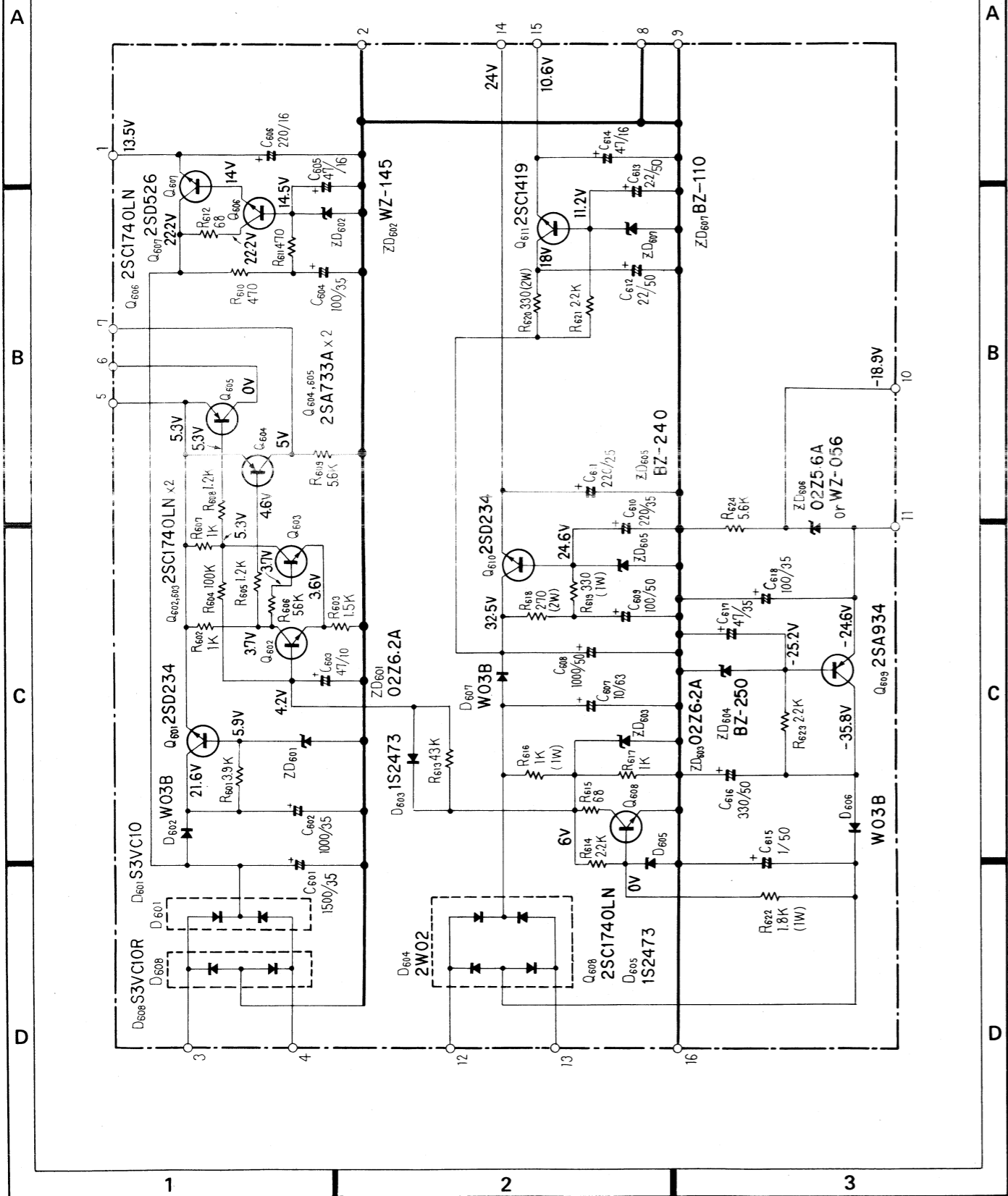
MOTHER ASSEMBLY(RWX-245) OF CT-F900



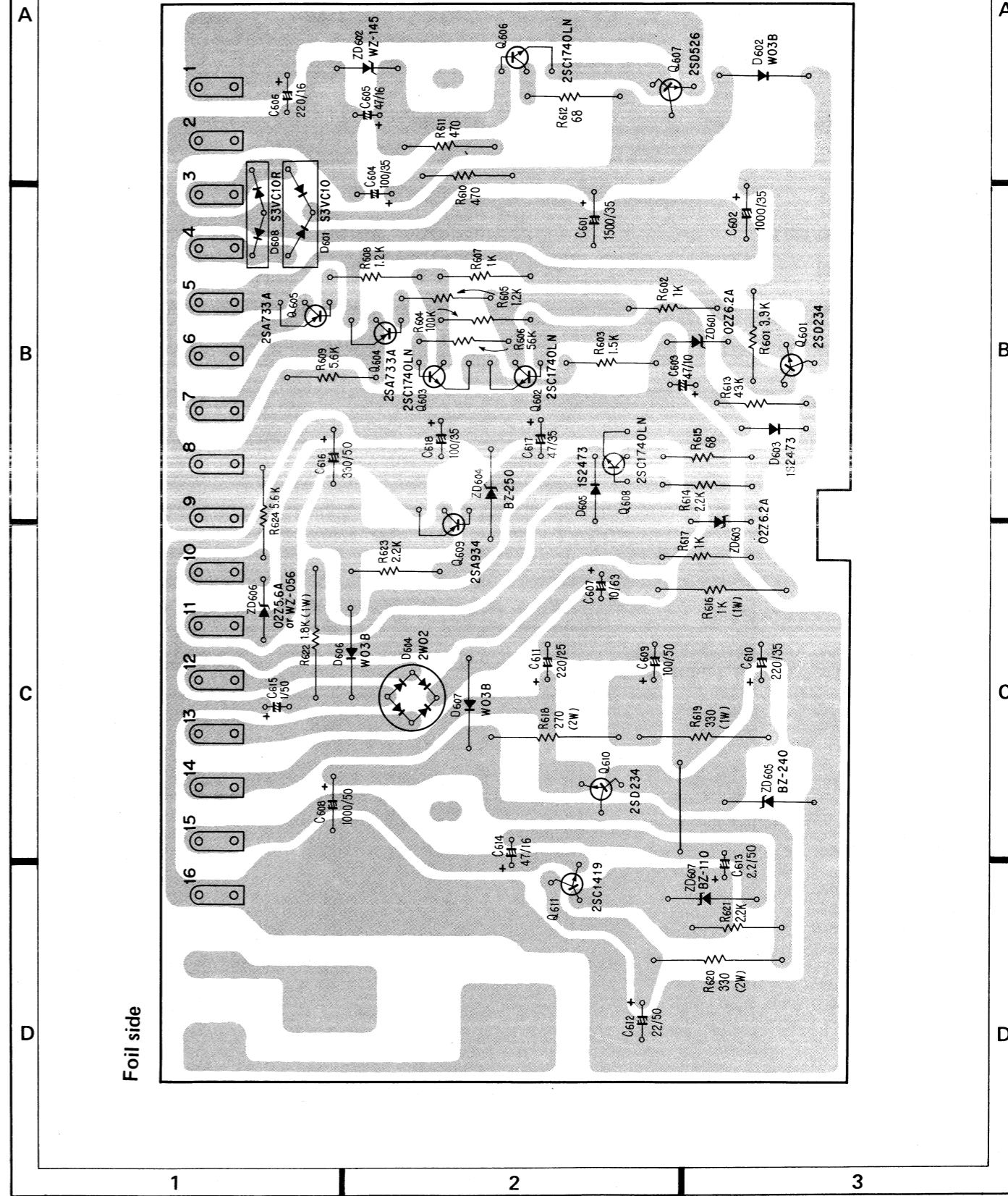
Foil side



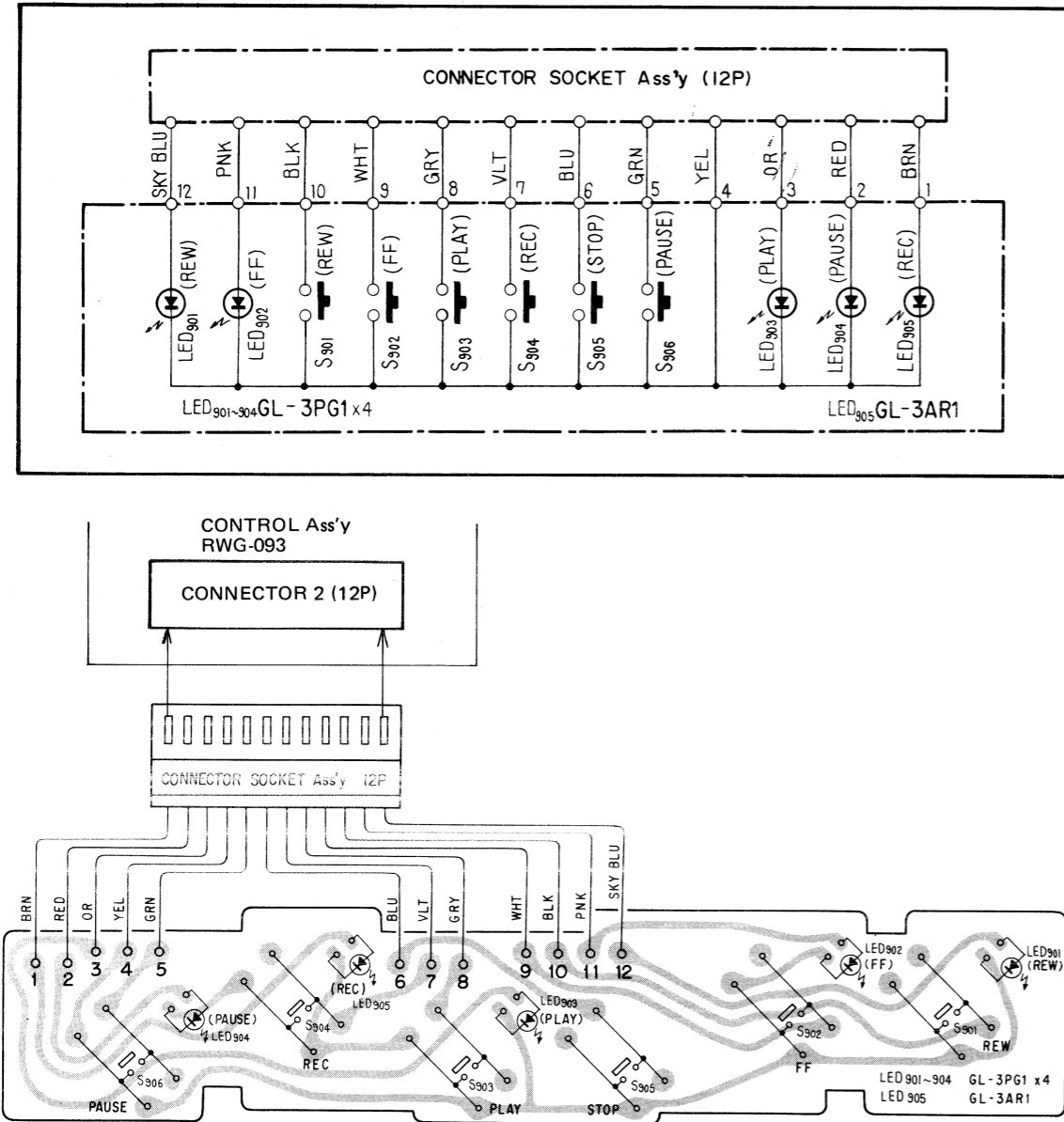
POWER SUPPLY ASSEMBLY(RWR-068) OF CT-F900



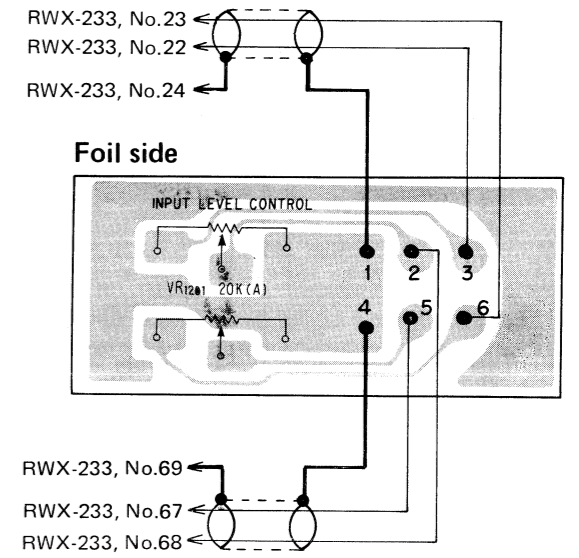
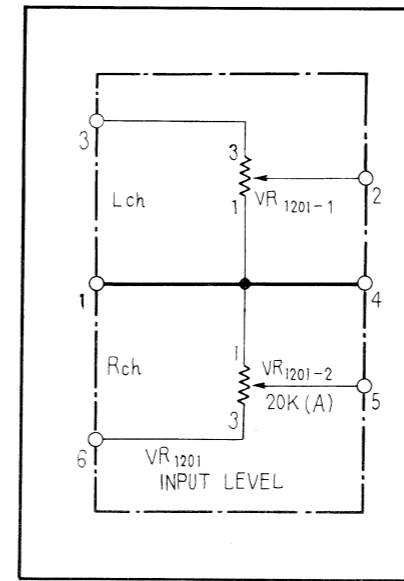
Foil side



FUNCTION SWITCH ASSEMBLY



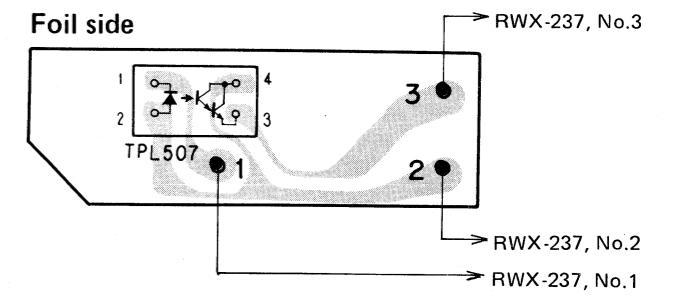
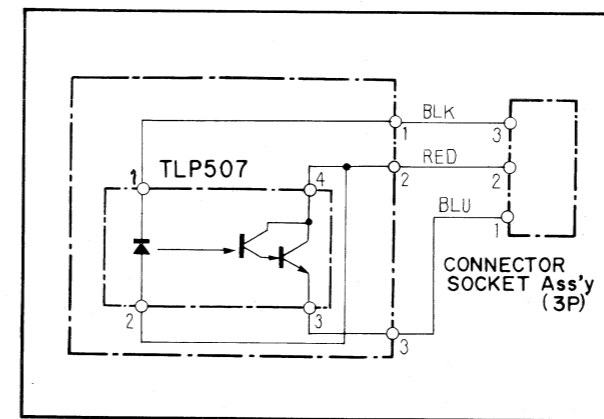
VOLUME ASSEMBLY



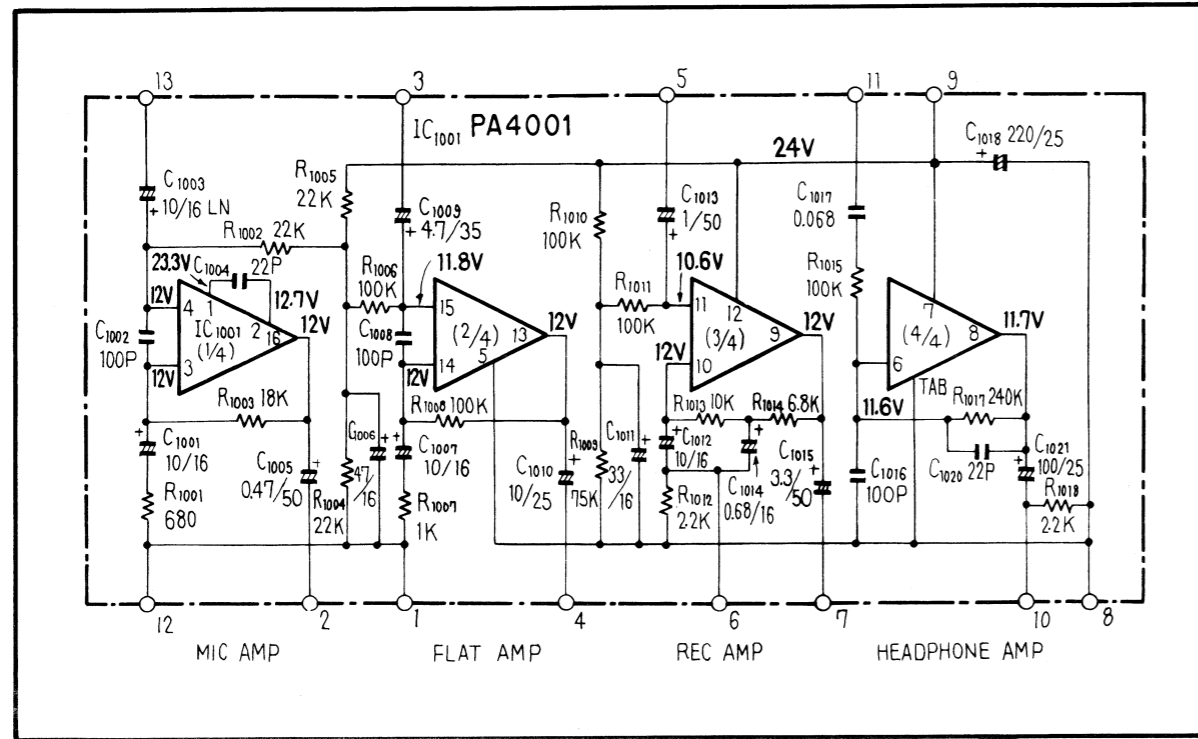
Parts List

Part No.	Symbol & Description
RCV-056	VR1201 Volume 20k-A (INPUT)

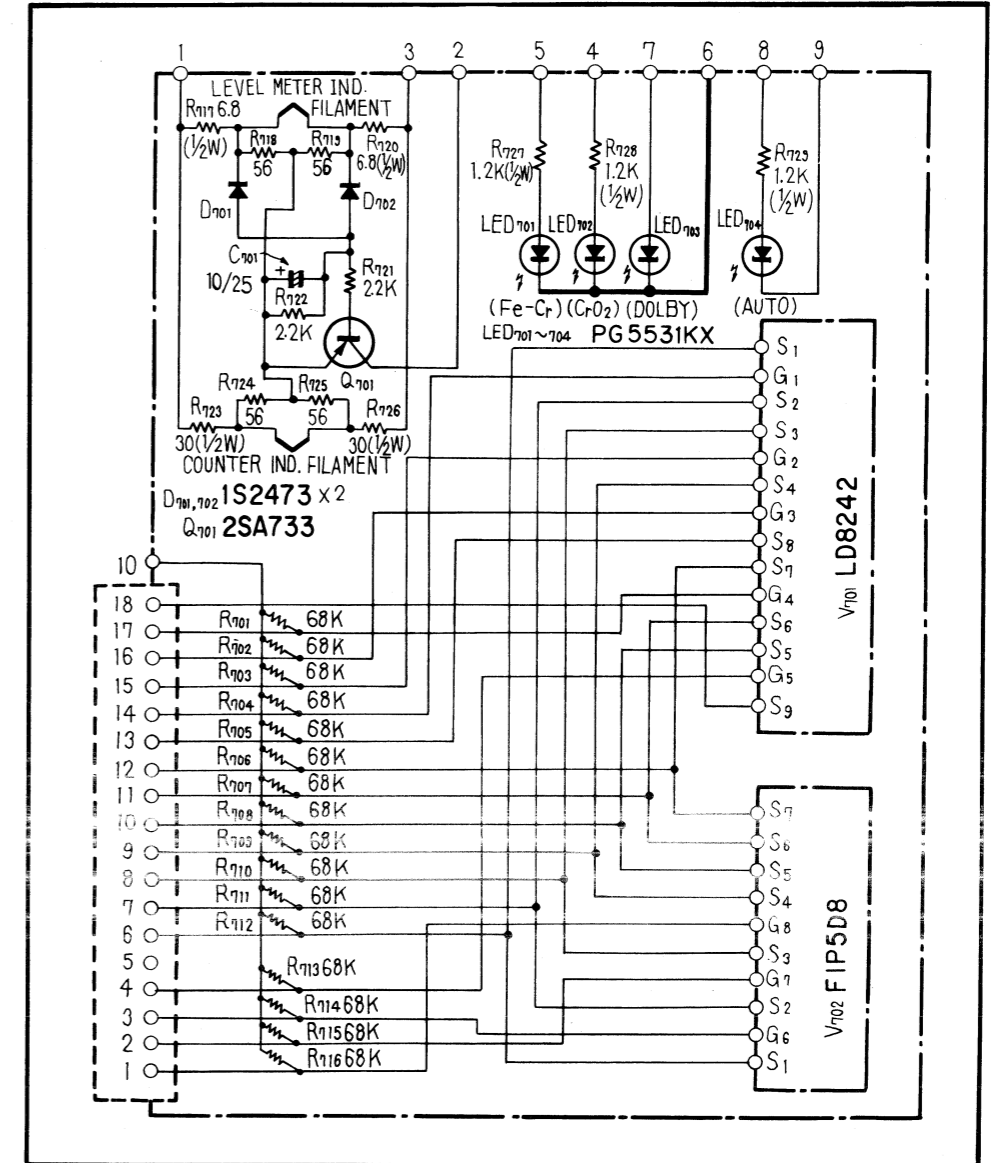
SENSING ASSEMBLY



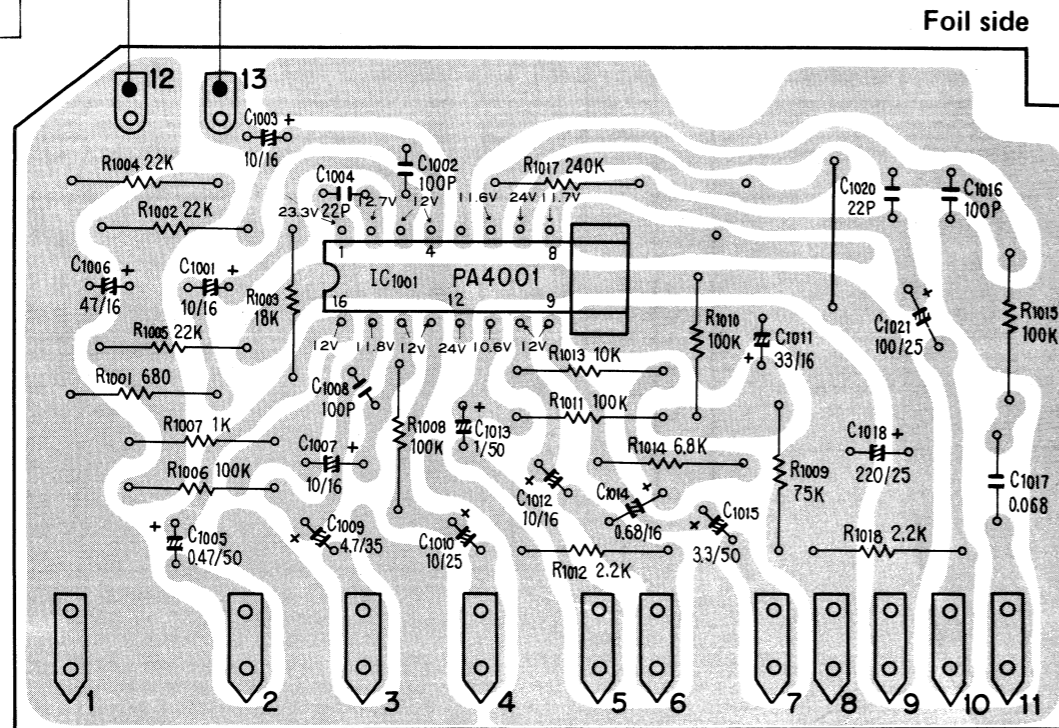
Integrated Amplifier Assembly (RWX-238)

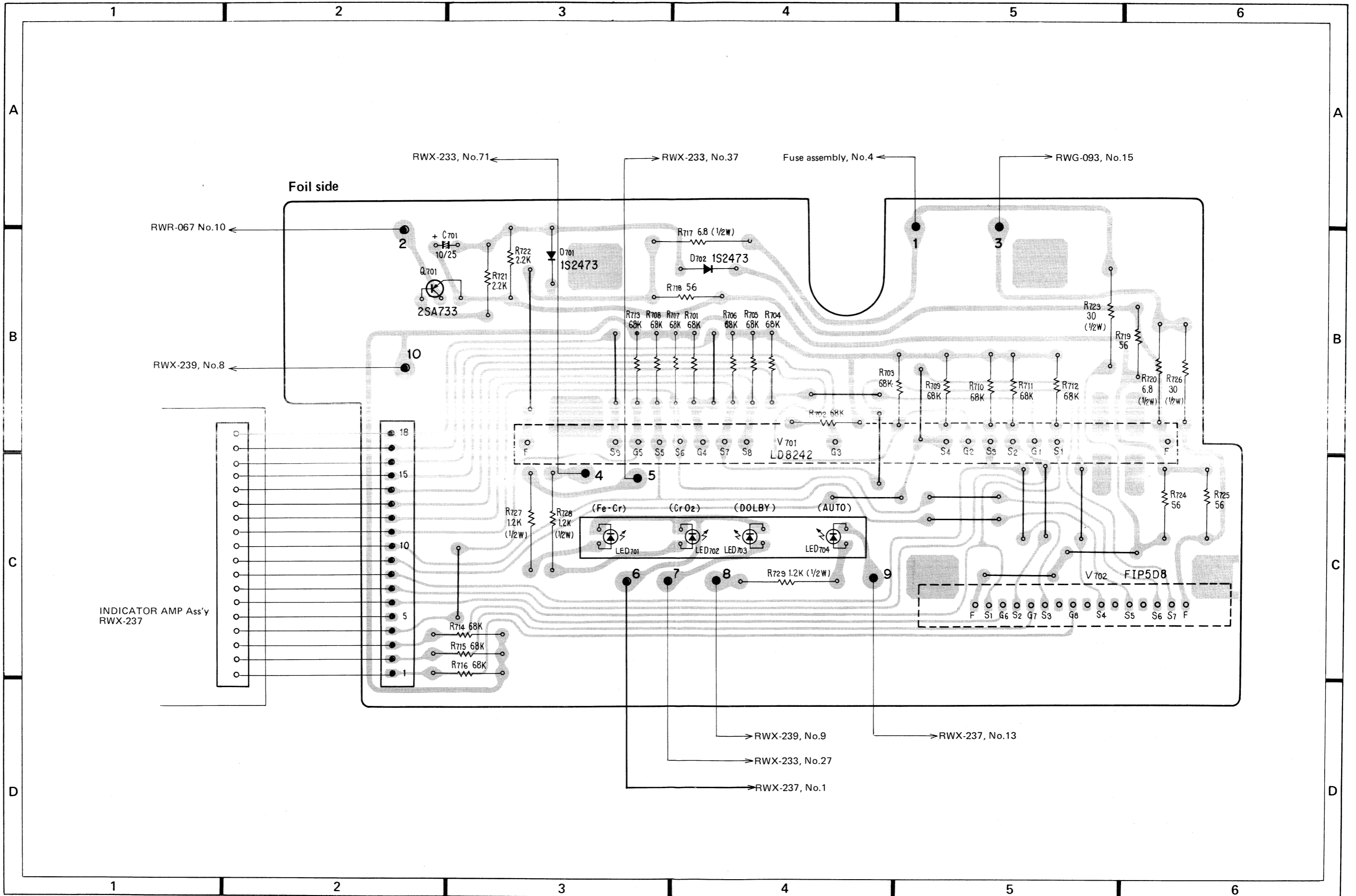


INDICATOR ASSEMBLY

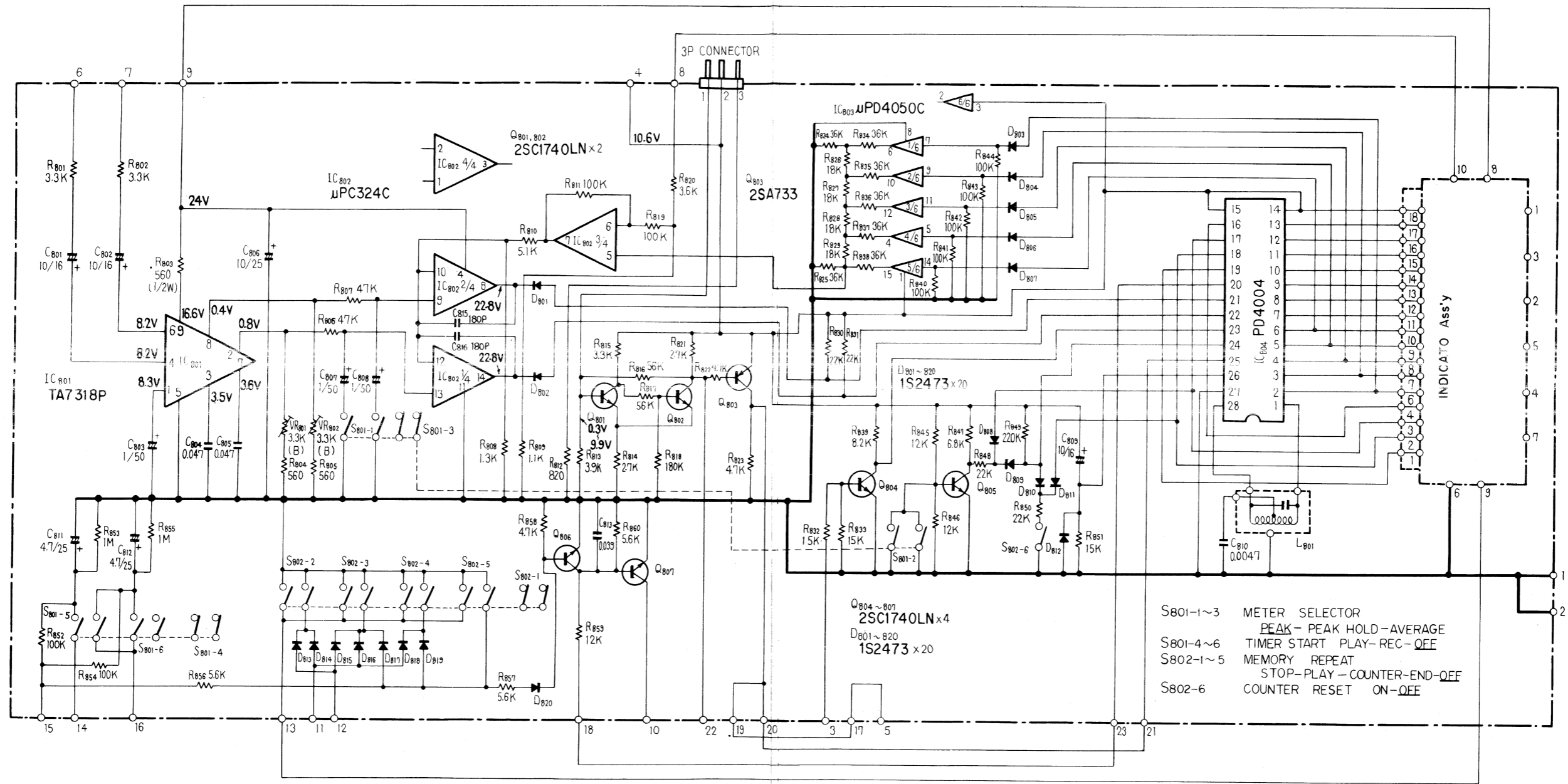


RWX-233, No.5
(RWX-233, No.2)
RWX-233, No.4
(RWX-233, No.1)

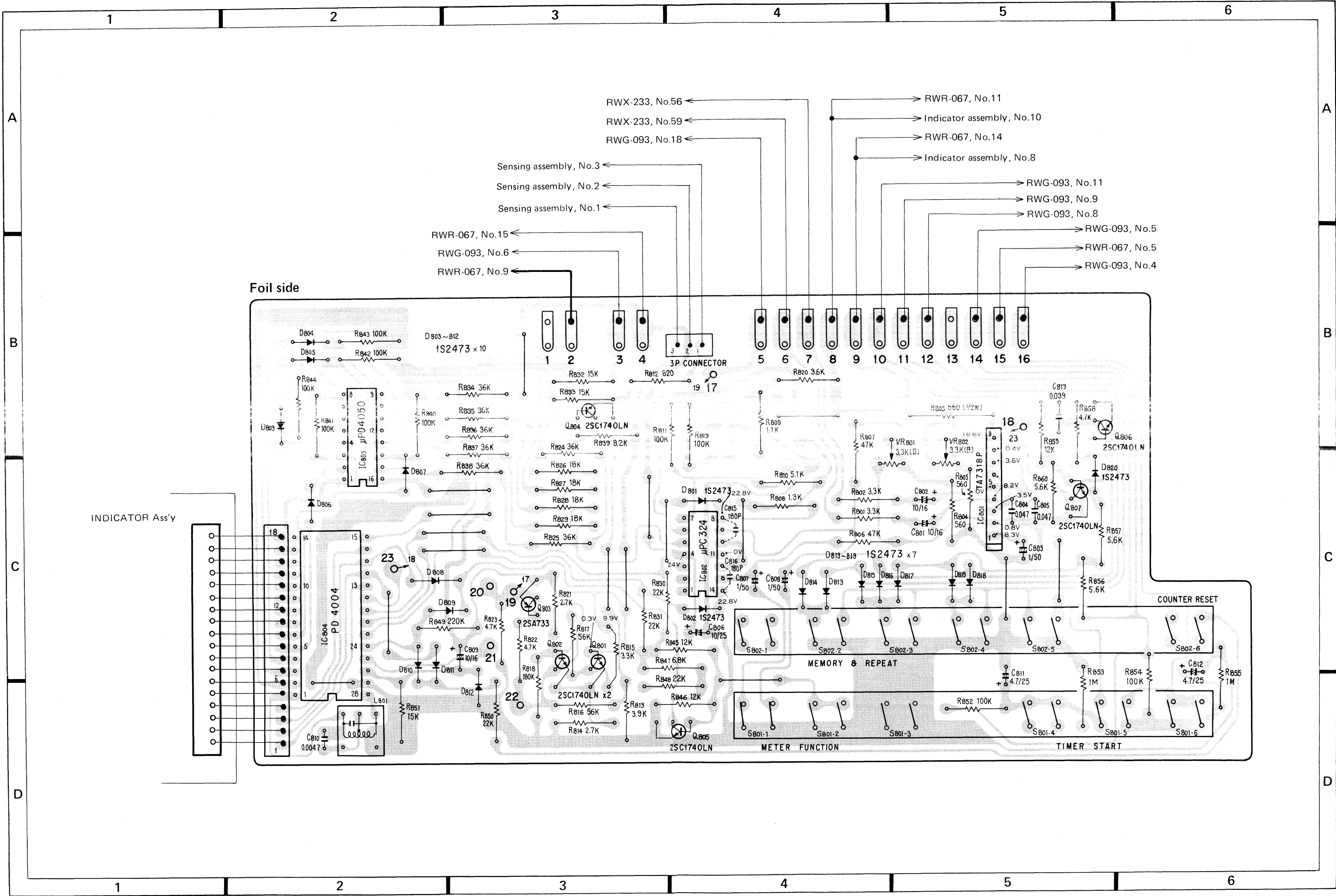




INDICATOR AMPLIFIER ASSEMBLY (RWX-239)



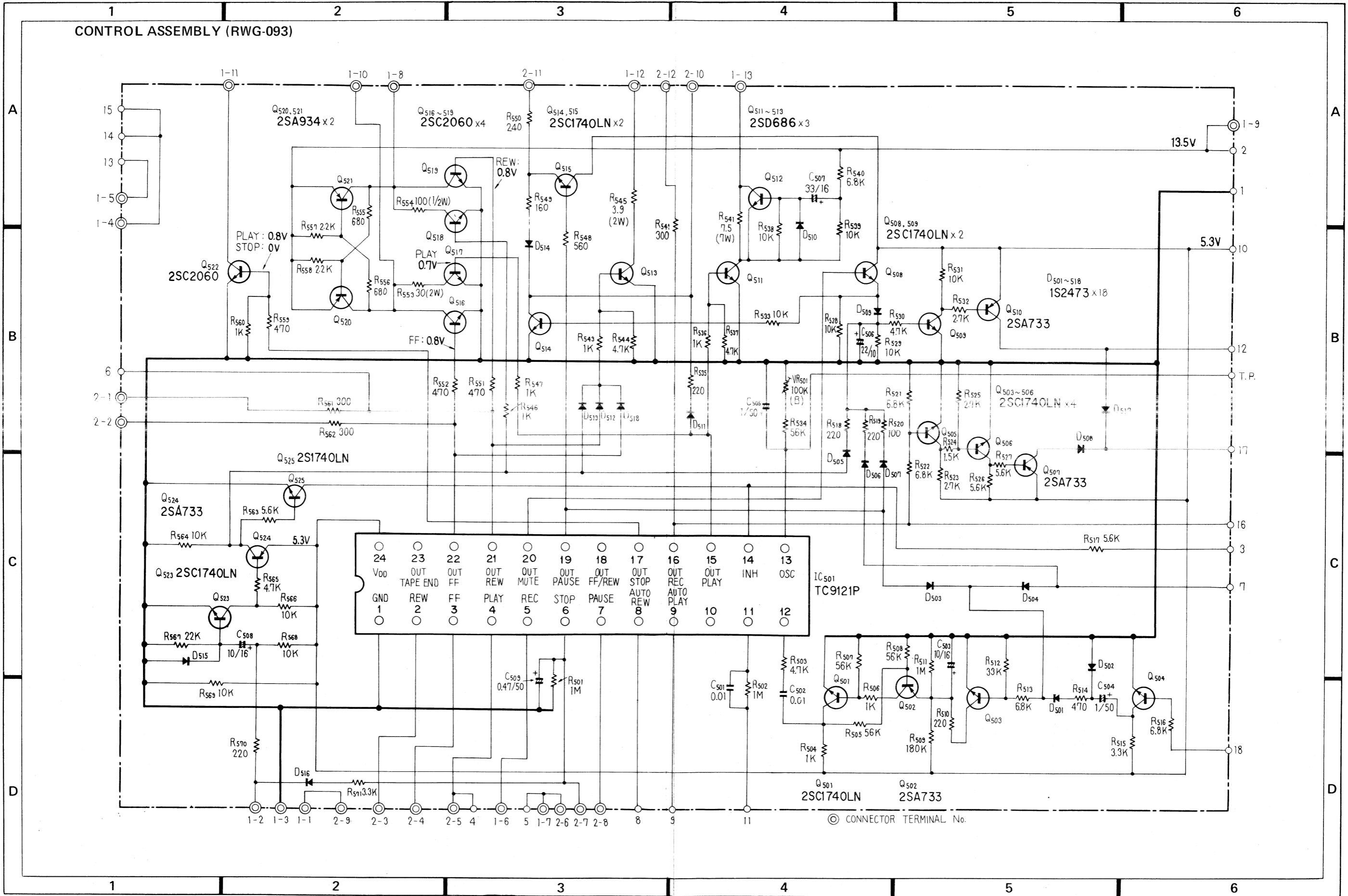
- S801-1~3 METER SELECTOR
PEAK - PEAK HOLD - AVERAGE
- S801-4~6 TIMER START PLAY-REC-QFF
- S802-1~5 MEMORY REPEAT
STOP-PLAY - COUNTER-END-QFF
- S802-6 COUNTER RESET ON-QFF

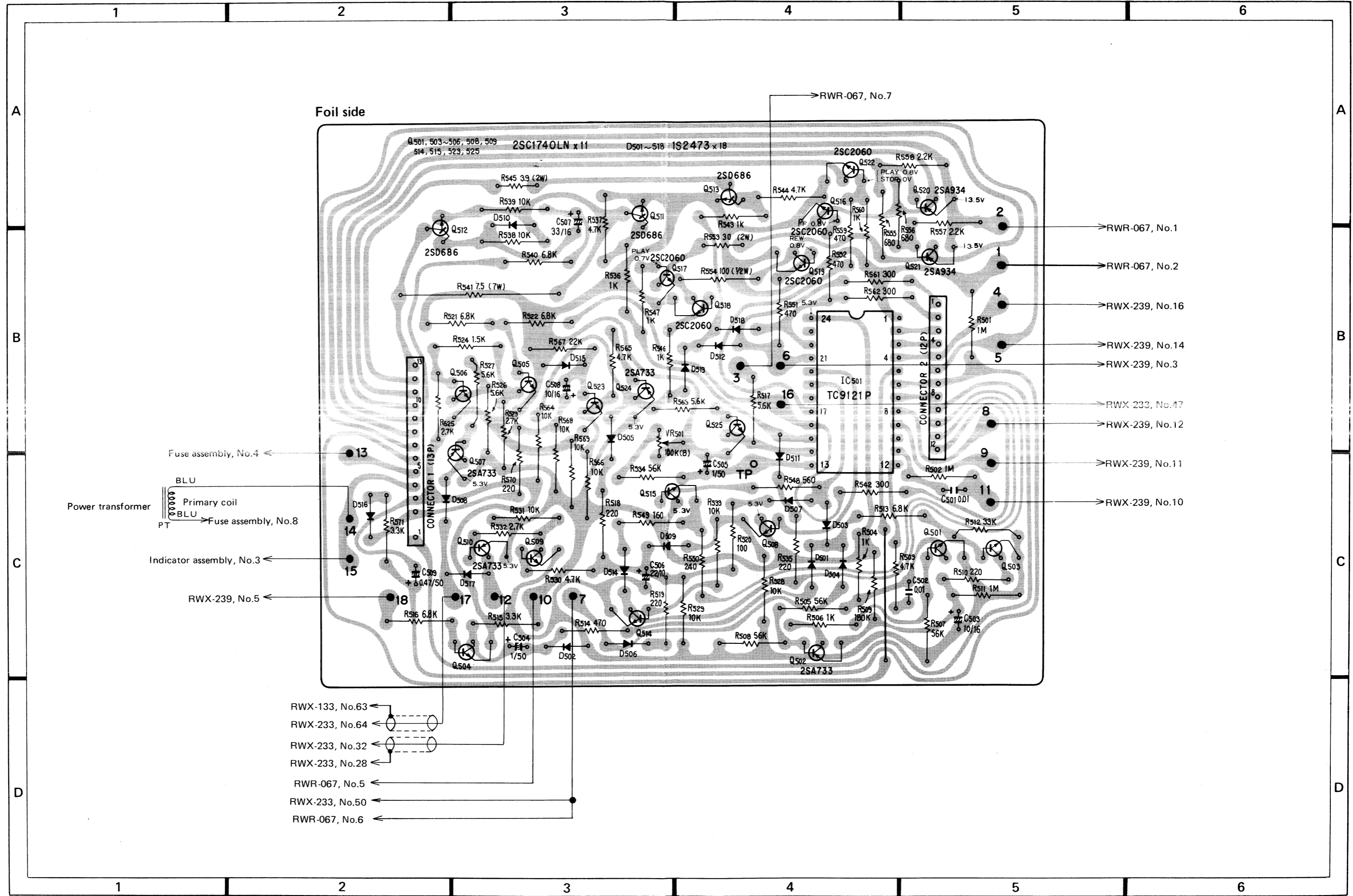


- RWX-233, No.56 ←
- RWX-233, No.59 ←
- RWG-093, No.18 ←
- Sensing assembly, No.3 ←
- Sensing assembly, No.2 ←
- Sensing assembly, No.1 ←
- RWR-067, No.15 ←
- RWG-093, No.6 ←
- RWR-067, No.9 ←
- RWR-067, No.11 →
- Indicator assembly, No.10 →
- RWR-067, No.14 →
- Indicator assembly, No.8 →
- RWG-093, No.11 →
- RWG-093, No.9 →
- RWG-093, No.8 →
- RWG-093, No.5 →
- RWR-067, No.5 →
- RWG-093, No.4 →

Foil side

INDICATOR Ass'y

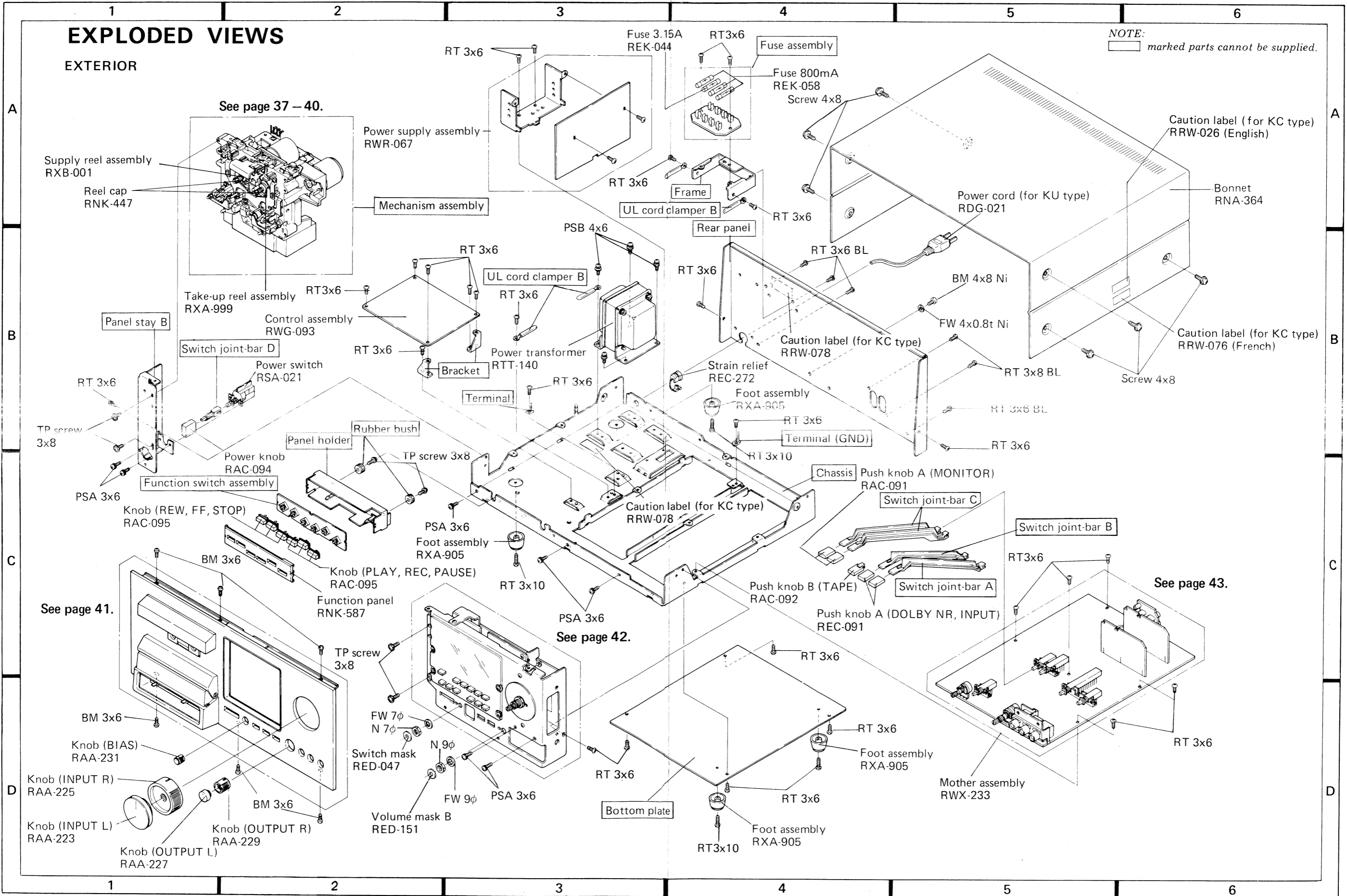




EXPLODED VIEWS

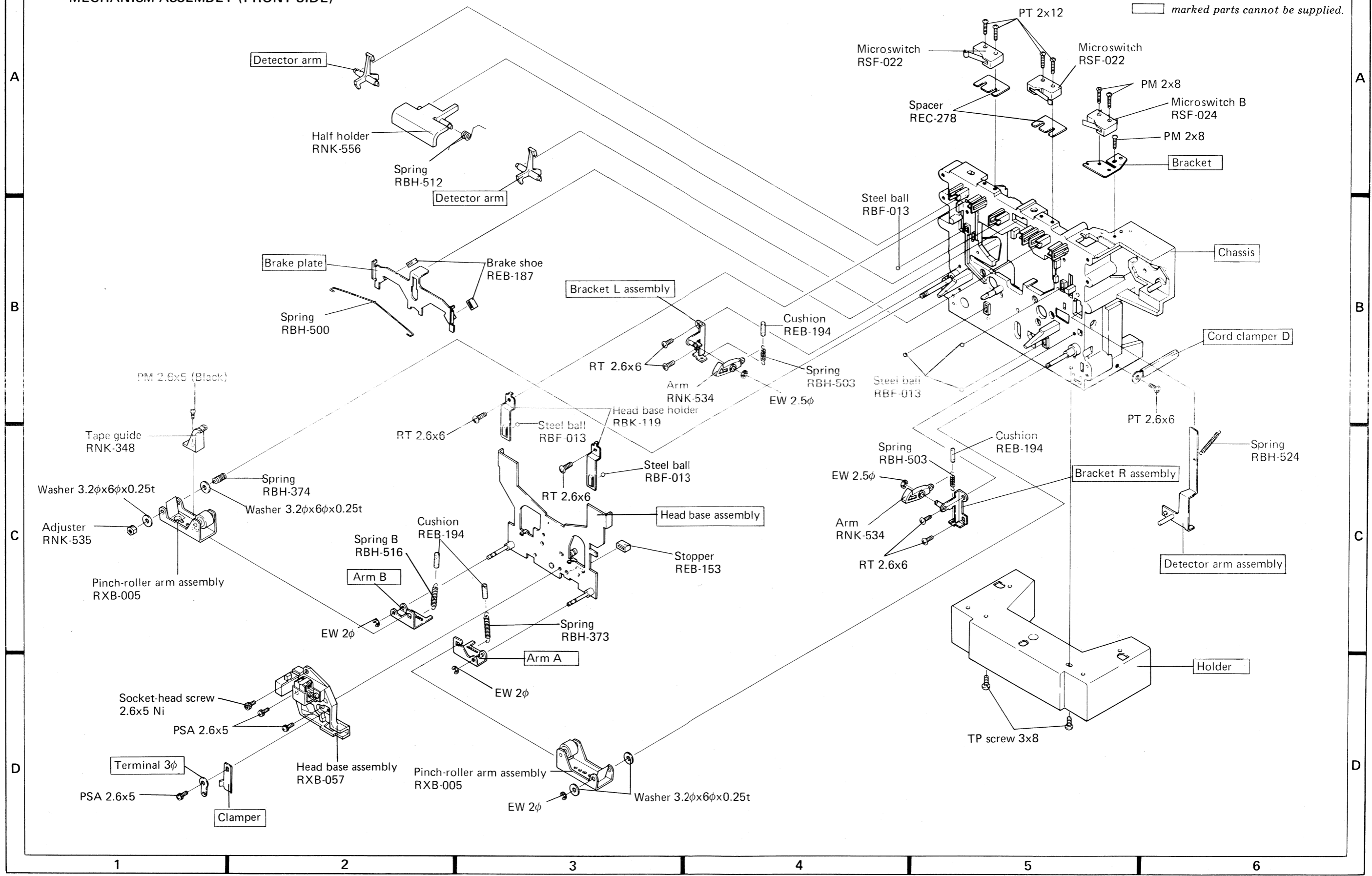
EXTERIOR

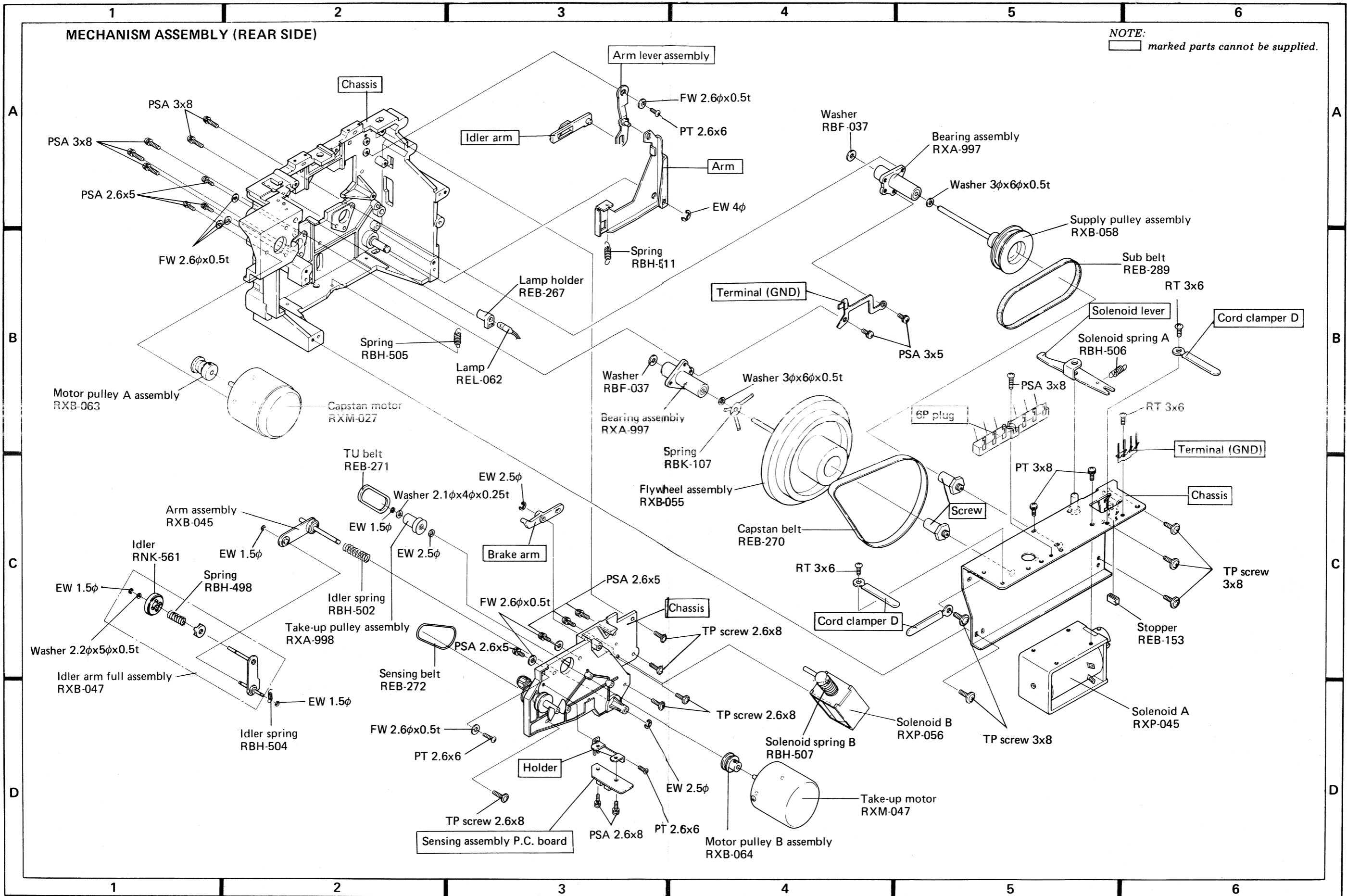
NOTE: marked parts cannot be supplied.

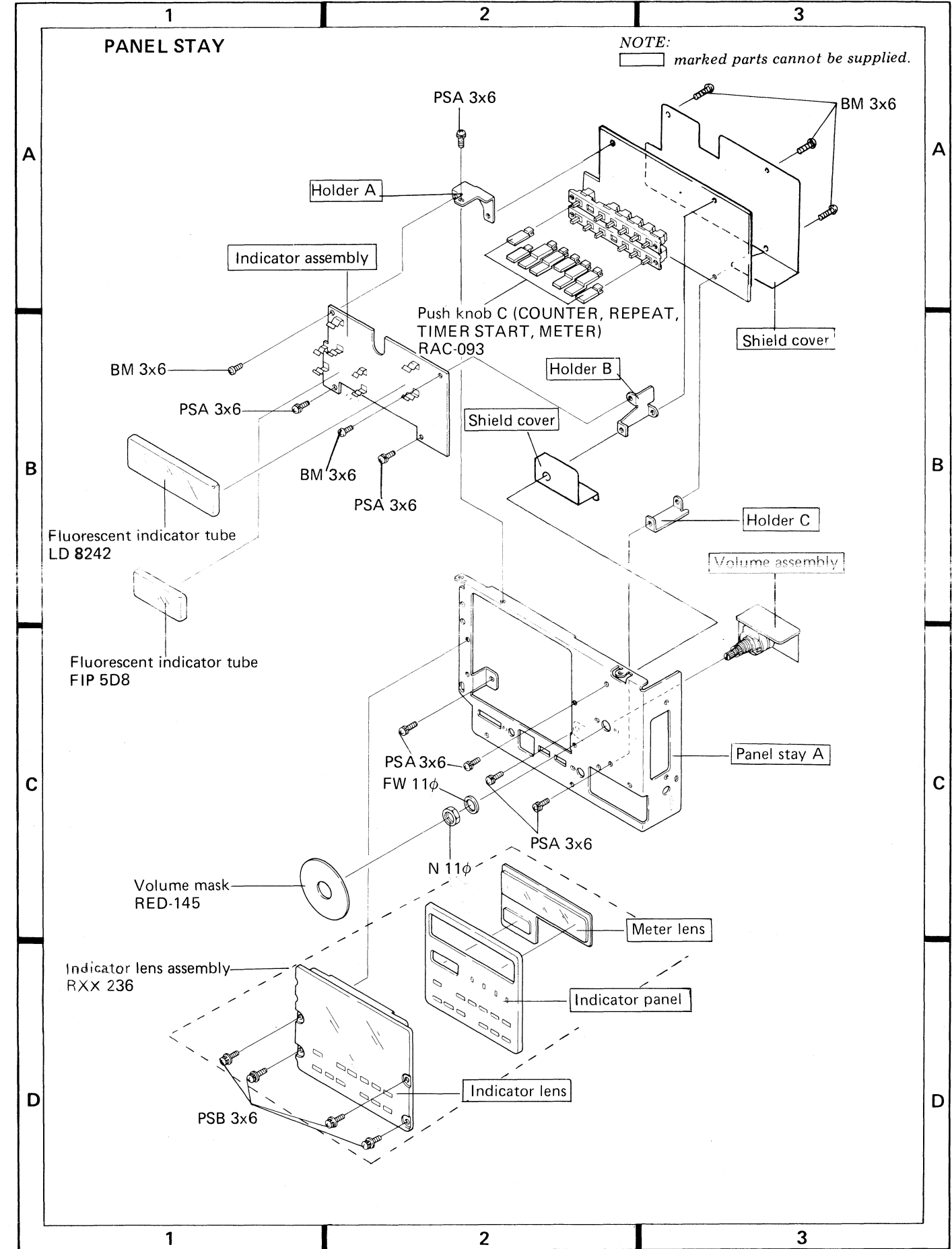
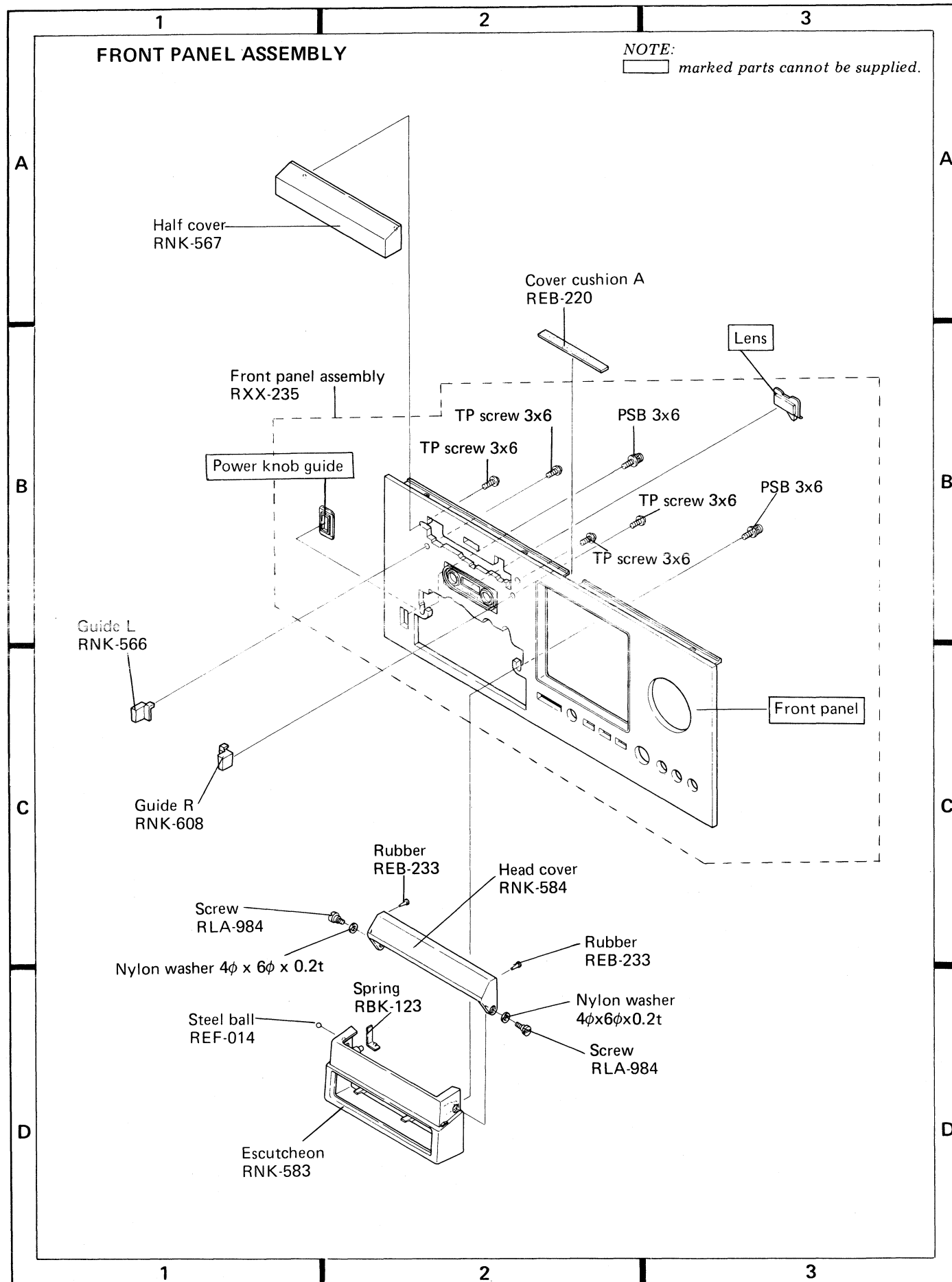


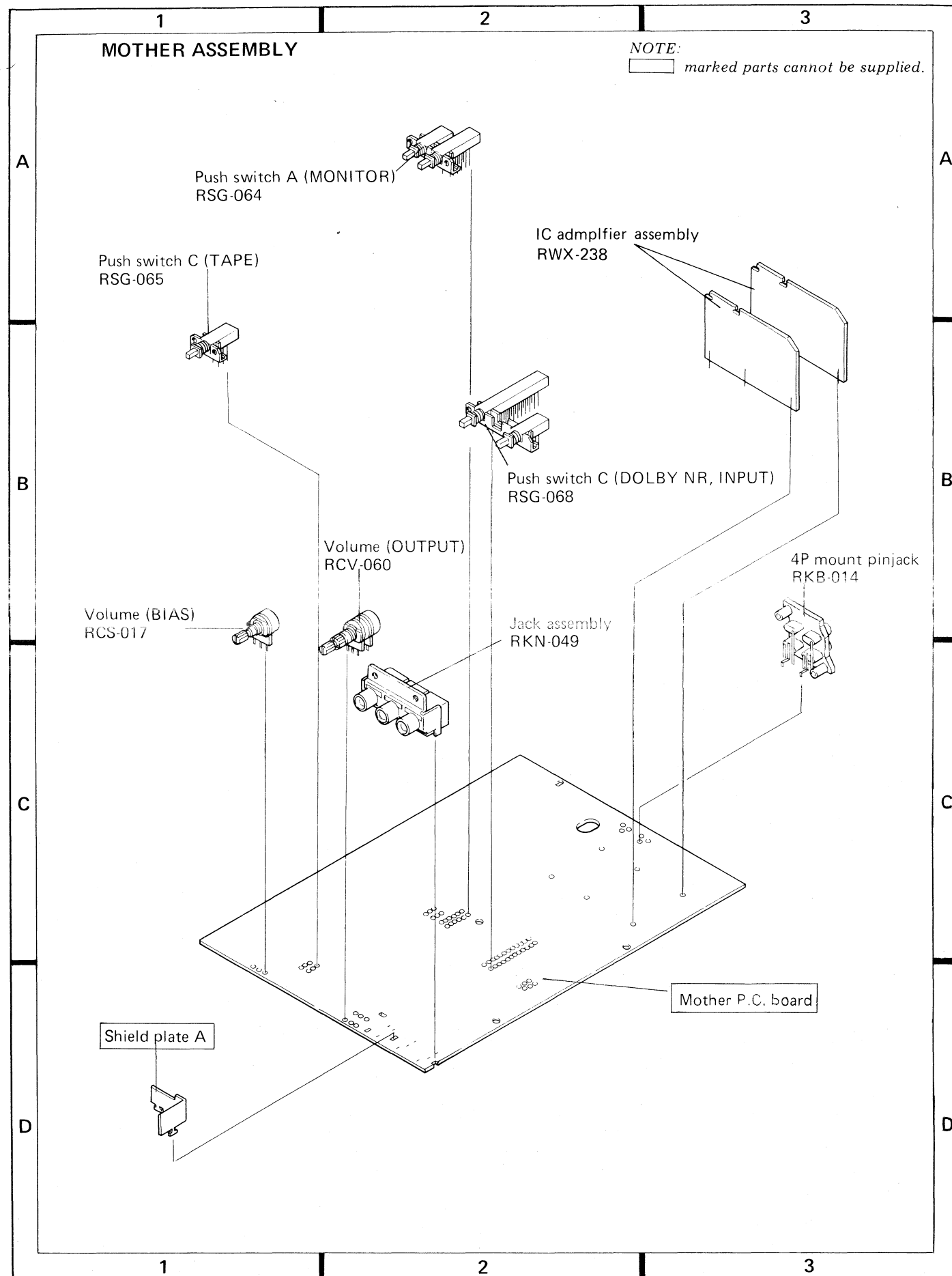
MECHANISM ASSEMBLY (FRONT SIDE)

NOTE: marked parts cannot be supplied.



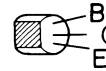




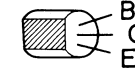


Appearance of Transistors and ICs

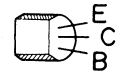
2SA733
2SC1740 LN



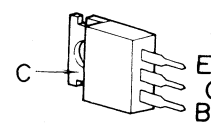
2SA934
2SC2060



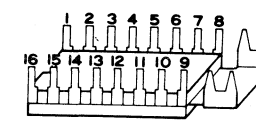
2SC620



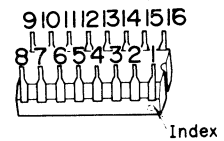
2SC1419
2SD234
2SD526
2SD686



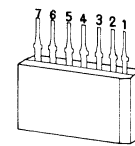
PA4001



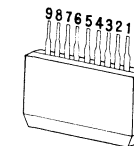
PA4002
μPD4050C



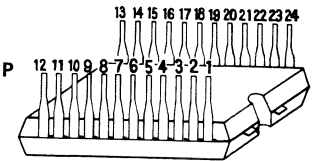
AN370



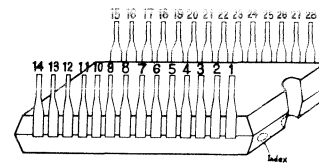
TA7318P



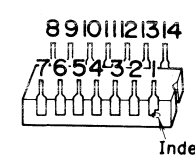
TC9121P



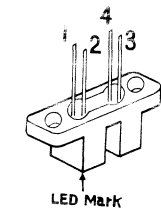
PD4004



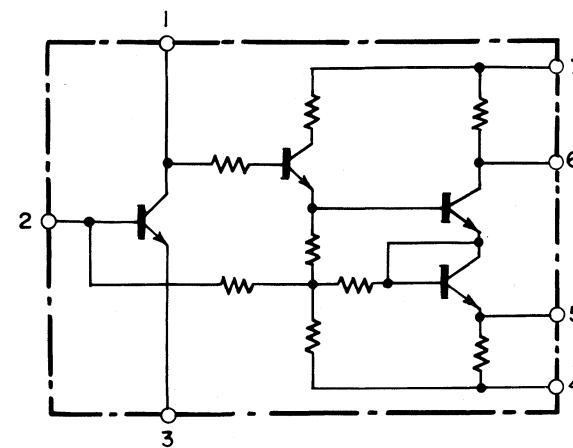
μPC324C



TLP507



Block diagram of AN370



Block diagram of μPC324C

