

SPECIFICATIONS

Electrical rating: 120/240 volts AC 60 HZ @ 50amperes.

ETL listed for US and Canadian applications.

Maximum generator: 12KW

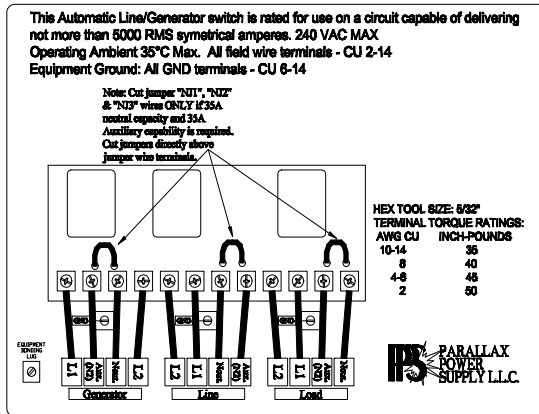
Enclosure: UL Type 1, 16 GA Steel.

Dimensions:

Model	Height	Width	Depth	Weight
ATS 501	3.75 in.	8.70 in.	11.05 in.	6.0 lbs.

Not ignition protected.

SPECIFICATIONS SUBJECT TO CHANGE WITHOUT PRIOR NOTICE.



Wiring Instructions

The ATS should be installed by a qualified electrician.

No user serviceable parts inside.

CAUTION:

Observe the polarity and torque specifications per the installation label included on the inside cover of each unit.

WARRANTY STATEMENT

Parallax warrants each ATS to be free from defects in materials and workmanship under normal use and service and limits the remedies to repair or replacement. This warranty extends for two years from the date of purchase and only valid to the original owner and within the continental limits of the United States and Canada. If a problem should occur within the first 24 months of purchase, please contact a dealer that handles warranty on your brand of RV. This warranty does not cover damage due to improper installation, abuse or accidents.

Download the *Parallax Power Supply Warranty Policy* at:

<http://www.parallaxpower.com/warranty.htm>



by Parallax Group Inc.

www.parallaxpower.com

MODEL ATS 501 Series AUTOMATIC LINE / GENERATOR SWITCH

**FOR RECREATIONAL VEHICLE USE ONLY!
NOT FOR LIFE SUPPORT!**



ATS 501



Listed for RV Use in the U.S.A. and Canada.

PN # 011-5171-001

REV C

INTRODUCTION

Thank you for purchasing the Parallax Model **ATS501** automatic RV Line/ Generator switch. We are confident that the **ATS 501** will give you outstanding performance for many years. If you have any questions or comments about this product, please contact Parallax's customer service representative at the address or phone and fax numbers listed below.

Parallax Power Supply
600 Broadway, Anderson, IN 46012
Phone: 1-800-443-4859
Fax. : 1-765-608-5235

GENERAL INFORMATION

The **ATS 501** is designed to automatically switch the on board 120 or 240 volt appliances to generator power when the generator is activated.

No longer do you need to go outside, remove the shoreline cord from the pole and plug it into the generator receptacle. Likewise in marine applications you simply start the generator and the **ATS501** will switch the loads for you.

OPERATION

After the **ATS 501** is installed using one of the typical installations shown in this manual, it will be ready for years of trouble free service. Operation is automatic and is maintenance free.

FROM SHORELINE:

To operate appliances from shoreline power, simply plug in the shoreline cord to the power pole at the campground or dock. The **ATS 501** automatically connects all AC Appliances to shoreline power.

FROM GENERATOR:

To operate appliances from on board generator simply start the generator. After a typical 20 second delay to allow the generator to stabilize the **ATS 501** will engage, transferring all 120 or 240-volt appliances connected to the **ATS 501** load terminals to the generator.

AUXILIARY CONTACT OPERATION

The **ATS 501** RV line generator switch when connected as in the typical installation **II** shown in this manual may control other equipment in your vehicle. The auxiliary contacts are rated for 30 A @ 120 VAC operation and will switch other loads as the **ATS 501** switches from shore power to generator. These contacts are supplied as non-energized dry contacts.

MOUNTING LOCATION

The **ATS 501** series may be installed in any position, leaving room for routing shoreline, generator and load conductors. To minimize voltage drop in the wiring the transfer switch should be located as close to the generator and shoreline cord entrance as practical.

DO NOT install the **ATS 501** series in the generator compartment.

The **ATS 501 series is not ignition protected** and should not be mounted in the same compartment as batteries or flammable materials such as gasoline. It may be mounted in the cabin or living area or a basement compartment, but is not suitable for outside locations.

The **ATS 501** should be installed by a qualified electrician.

Typical Installations

MODEL ATS 501 LINE/ GENERATOR SWITCH Typical Installations

Rated - 50A 120/240 Volts 60Hz, Neutral rated 70A with jumpers installed.

