

Type CBW58

Thermal Circuit Breaker

Push to Reset – Standard Profile



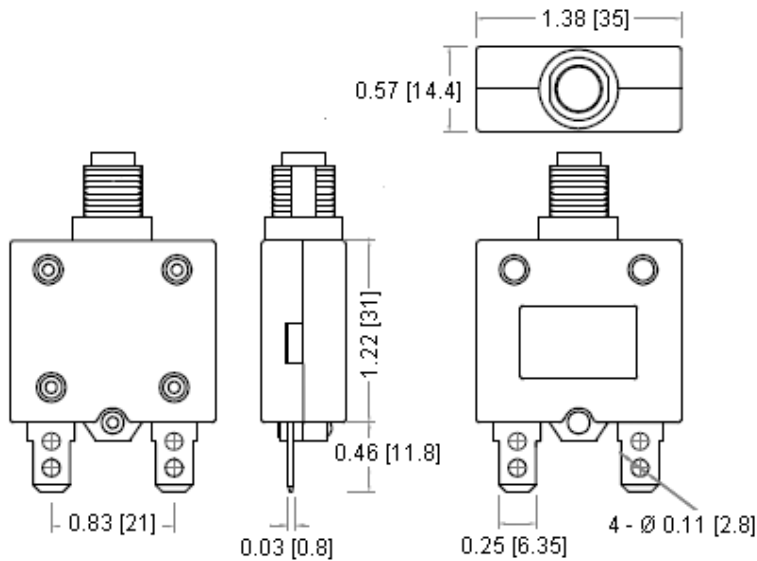
www.optifuse.com (619) 593-5050

Specifications:

Push to Reset – Standard Profile
 Amperage Range: 3A - 50A
 Voltage: 125 / 250 VAC, 32 VDC
 Frequency: 50-60 Hz
 Dielectric Strength: 1,500 VAC / 1 Minute
 Interrupt Capacity:
 1500A @ 125 VAC, 200A @ 250 VAC, 1500A @ 32VDC
 Marine Ignition Protected to SAE J1171
 Insulation Resistance: > 500M Ω
 Contact Endurance: 125 VAC @ 150% of Rated Current-500 Cycles.
 Reset Time: 60 seconds
 Body – Black
 Terminal Finish – Tin Plated

Time-Current Characteristics @ 25°C			
100%	150%	200%	300%
Max	Max	Max	Max
No trip	1hr	40s	10s

Mechanical Dimensions: Inches [mm]



Agency Standards and Listings:



RoHS
Compliant

UL 1077 Recognized: 3A-30A, 125 / 250 VAC

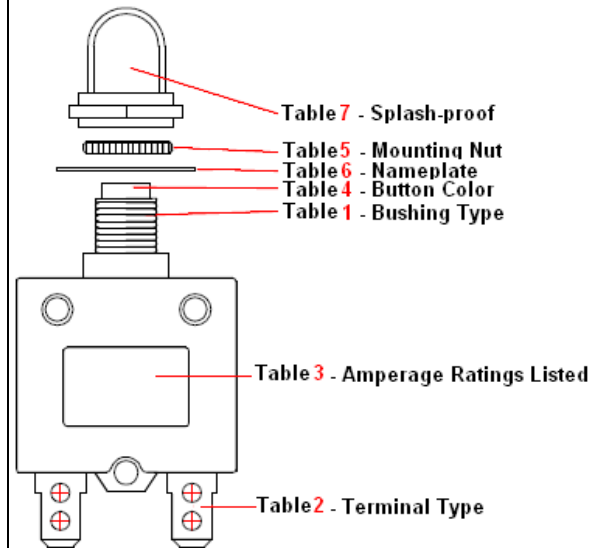
CSA: 3A-30A, 125 / 250 VAC

CE: 3-30A

TUV: 3-30A, 125 / 250 VAC, 32 VDC

VDE: 3A-16A, 125 / 250 VAC, 32 VDC

Part / Accessories Descriptions:



Type CBW58 Thermal Circuit Breaker Push to Reset – Standard Profile



www.optifuse.com (619) 593-5050

Part Number Information									
CBW58-	X	Y	-	ZZ	-	B	N	P	S
	Table 1	Table 2		Table 3		Table 4	Table 5	Table 6	Table 7

Mechanical Dimensions: Inches [mm]

Table 1 - Where X is Bushing Style

H	Metal M11 – 10.8 mm diameter - 9.8 mm pinch point – 12.6 mm high				
V	Metal M12 - 11.8 mm diameter – 10.7 mm pinch point – 12.6 mm high				
G	Metal 3/8” 27 Thread – 9.5 mm diameter – 8.5 mm pinch point – 12.6 mm high				
M	Metal 7/16” 17 Thread – 11 mm diameter – 9.8 mm pinch point – 12.6 mm high				
P	Plastic M11 – 10.8 mm diameter - 9.8 mm pinch point – 12.6 mm high				
Q	Plastic M12 – 11.8 mm diameter – 10.7 mm pinch point – 12.6 mm high				
E	Plastic 3/8” 27 Thread – 9.5 mm diameter – 8.5 mm pinch point – 12.6 mm high				
R	Plastic – Snap-in – 9.8mm high				
A	Automatic Reset – No Bushing				
H - Metal M11XP1.0	V - Metal M12XP1.0	G - Metal 3/8"-27T	M - Metal 7/16"-17T	A - Automatic, No Bushing	
P - Plastic M11XP1.0	Q - Plastic M12XP1.0	E - Plastic 3/8"-27T	R - Plastic Snap in	Measurements	
				A 0.43 [10.8]	
				B 0.53 [13.5]	
				C 0.39 [9.8]	
				D 0.50 [12.6]	
				E 0.46 [11.8]	
				F 0.42 [10.7]	
				G 0.62 [15.8]	
				H 0.54 [13.8]	
				J 0.33 [8.5]	
				K 0.37 [9.5]	
				L 0.43 [11.0]	
				X 0.16 [4.0]	
				Y 0.06 [1.5]	
				Z 0.06 [1.6]	
Bushing Type vs. Panel Hole	H or P	V or Q	G or E	M	R

Note: All specifications subject to change without notice.

Type CBW58 Thermal Circuit Breaker Push to Reset – Standard Profile



www.optifuse.com (619) 593-5050

Mechanical Dimensions: Inches [mm]

Table 2 - Where Y is Terminal Configuration

S	B	R	4	5	6	7
Straight 0.46 [11.8]	90° Bend	90° Reverse Bend	90° Bend Line Pin	90° Bend Load Pin	Straight 0.31 [8]	90° Bend Reverse Bend
8	9	X	F	E	J	L4
45° Bend	45° Reverse Bend	Straight 0.13 [3.2]	Screw #8-32	Screw #8-32 90° Bend	Screw #8-32 90° Reverse Bend	Screw #8-32 90° Bend Line Pin

Table 3 - Where ZZ is Amperage

3-50A (03, 04, 05, 06, 07, 08, 09, 10, 11, 12, 13, 15, 16, 18, 20, 22, 25, 30, 35, 40, 45, 50)

See comments on first page for approvals information.

The above represents only standard current rates. Please contact factory for additional ratings.

Table 4 - Where B is Button Color

Blank	Black Button	
W	White Button	
R	Red Button	
1	Black Button w/ Amperage in White	
5	White Button w/ Amperage in Black	
6	Red Button w/ Amperage in White	

Type CBW58 Thermal Circuit Breaker Push to Reset – Standard Profile



www.optifuse.com (619) 593-5050

Mechanical Dimensions: Inches [mm]

Table 5 - Where N is Nut Type

Blank	H	C	P	Q	X
Metal Knurlnut	Metal Hexnut (M11xP1.0) H=0.55[14] (M12xP1.0) H=0.59[15]	Metal Knurlnut	Plastic Integrated Knurlnut	Plastic Knurlnut	Plastic Integrated Knurlnut

Table 6 - Where P is Nameplate

Blank = None		
B	Black nameplate	Circuit Breaker Press to Reset
W	White nameplate	Circuit Breaker Press to Reset
A	Black nameplate	Circuit Breaker Press to Reset
S	Black nameplate	Suppl. Prot. Press to Reset
X	White nameplate	Suppl. Prot. Press to Reset

B	Black plate	A	Black plate	S	Black plate
W	White plate			X	White plate

Table 7 - Where S is Splash-proof

Blank – None

D – For H, P, V, Q, G, E Bushing Styles only

V – For H, P Bushing Styles only

F – For H, P, V, Q Bushing Styles only

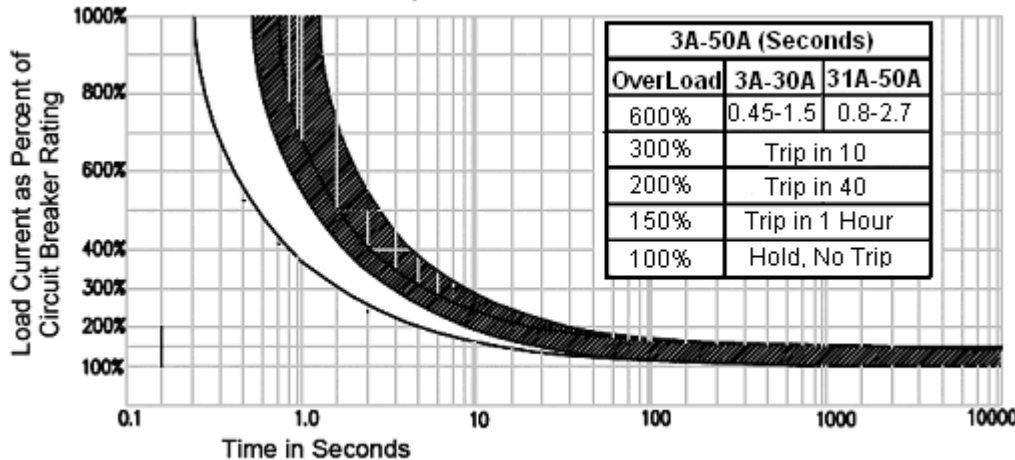
D	V	F
M11XP1.0 M12XP1.0 3/8" 27T	M11XP1.0	M11XP1.0 M12XP1.0

Type CBW58 Thermal Circuit Breaker Push to Reset – Standard Profile

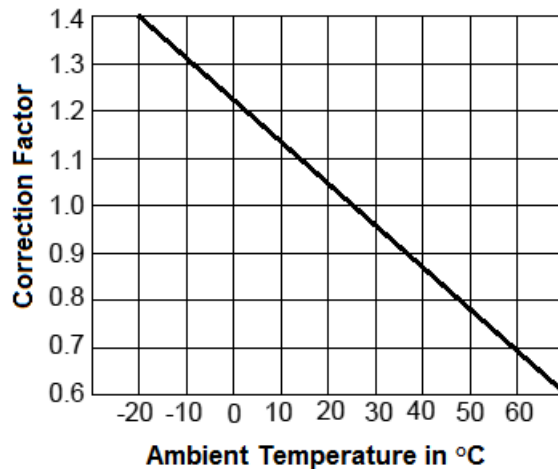


www.optifuse.com (619) 593-5050

Trip Time Curve @ +25°C




Ambient Compensation Chart



Ambient Temperature Correction Factor:

The time/current characteristic curve depends on the ambient temperature prevailing. In order to eliminate nuisance tripping, please multiply the current breaker current ratings by the derating factor shown above.

<p>Warning:</p> 	<ul style="list-style-type: none"> -Operation beyond the specified maximum ratings or improper use may result in damage and possible electrical arcing and/or flame. -Devices are intended for occasional overcurrent protection. Applications for repeated overcurrent condition and/or prolonged trip are not anticipated. -Avoid contact of device with chemical solvent. Prolonged contact may damage the device performance.
--	--

Note: All specifications subject to change without notice.