



AUTOMATIC TIRE CHAINS

VEHICLE SUSPENSION INFORMATION

Walking Beam

Form #3130018

The following information and measurements are required in order to determine if the vehicle can be fit with Onspots, and, if so, which Model Onspot Chain Set and Mounting Bracket Kit is required. This information will be different from vehicle to vehicle based on vehicle make/model, axle make/model, tire size and wheel offset. Any questions in completing this form can be addressed to Onspot at 800-224-2467. Fax completed form to 812-346-1819.

Dealer or OEM name: _____

Customer name: _____ Ref. Unit _____

Address: _____

City: _____ State: _____ Zip: _____

Contact: _____ Phone Number: _____

Quantity of identical vehicles for this order: _____

Description: (Fire Truck, Plow Truck, Dump Truck, etc.): _____

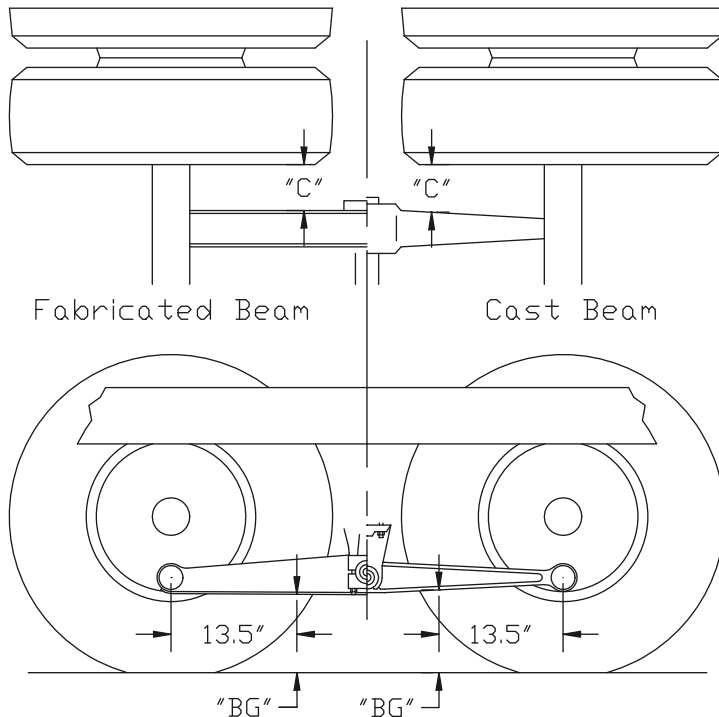
Vehicle Make: _____ Model: _____ Year: _____

Note: The following information applies to the rear suspension only.

Axle Make: _____ Capacity: _____

Tire size: _____ Brand: _____

Suspension Model: _____ Beam Type from Page 2: _____



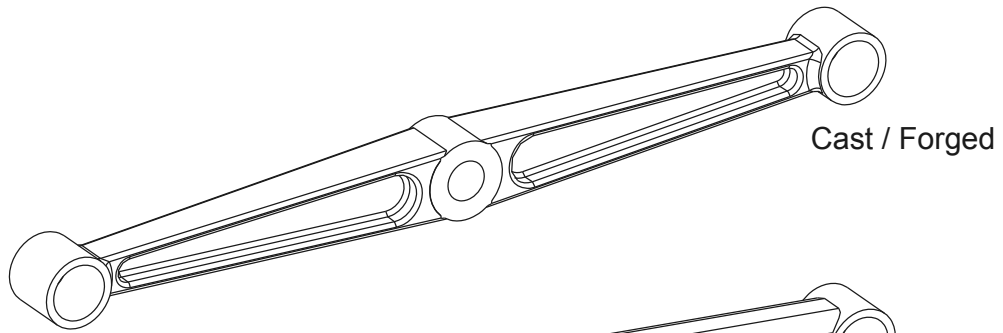
Side of Beam to Tire Sidewall

C = _____

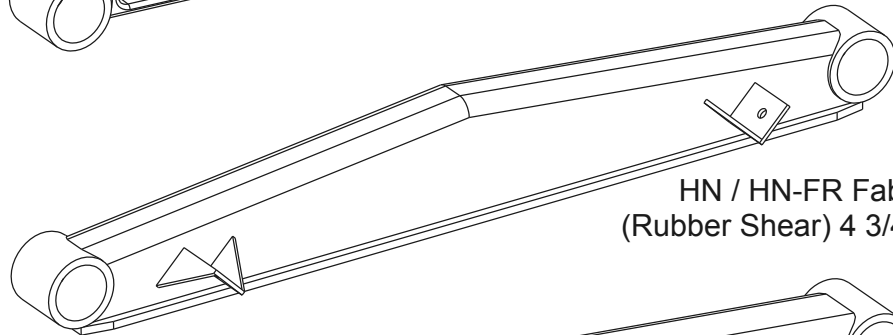
Bottom of beam to ground 13 1/2" from center of axle

BG = _____

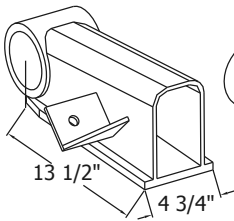
Majority of installations are installed as a rear mount on the front drive axle.



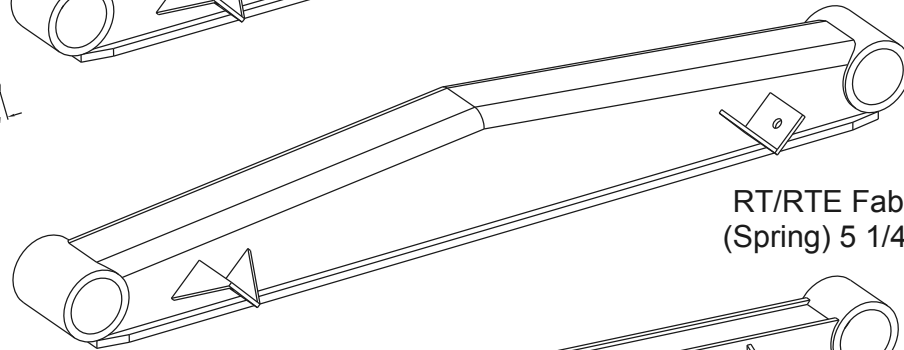
Cast / Forged



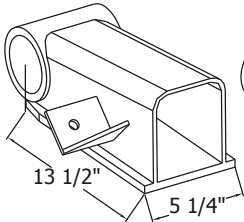
HN / HN-FR Fabricated
(Rubber Shear) 4 3/4" Wide



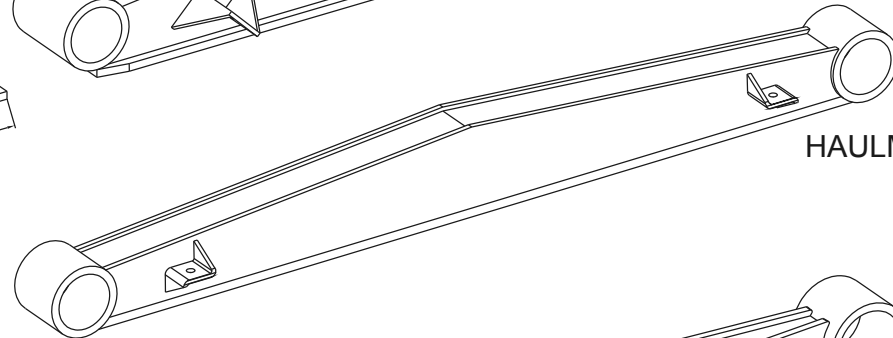
13 1/2"
4 3/4"



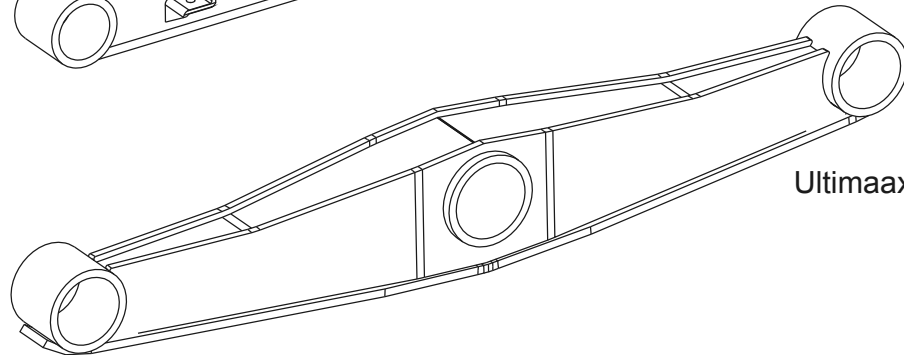
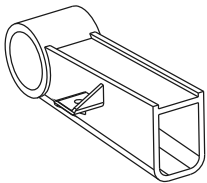
RT/RTE Fabricated
(Spring) 5 1/4" Wide



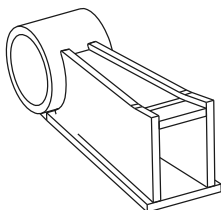
13 1/2"
5 1/4"



HAULMAAX®



Ultimaax® Fabricated



QUESTIONS? 1-800-224-2467
FAX COMPLETED FORM TO: 812-346-1819
OR EMAIL TO: service@onspot.com