

To assign a bracket, we need to know the type and make of suspension that your vehicle has (e.g. Spring, Air Suspension). Note anything unusual about your suspension such as an after-market add-on, or torsion bar.

Onspot distributor name: _____

Customer name: _____ Ref. Unit No. _____

Address: _____

Street

City

State

Zip

Contact

Phone Number

Quantity of identical vehicles for this order: _____

Make: _____ Model: _____ Year: _____

Description: (School Bus, Service Truck, etc.): _____

Note: The following information applies to the rear suspension only.

Tire size: _____ Back wheels Dual/Single: _____

Shock on rear axle: Yes/No Shock location on rear axle: Front/Back

Shock bracket: Yes/No If yes, Shock bracket thickness (in.): _____

Sway Bar: Above/Below/In front of/Behind: _____

Are there any other obstructions? Within 36" in front or behind rear axle.

(e.g. Fuel Tank, Exhaust, etc.) _____

VEHICLE SUSPENSION INFORMATION

Height of front BF = _____ U-Bolt diameter X = _____

Height of back BB = _____ Front to rear Y = _____

Sidewall Distance C = _____ Side to Side Z = _____

Sidewall to Backing Plate CB = _____

Fuel tank: Rear/Side/Both Ground to axle tube BT = _____

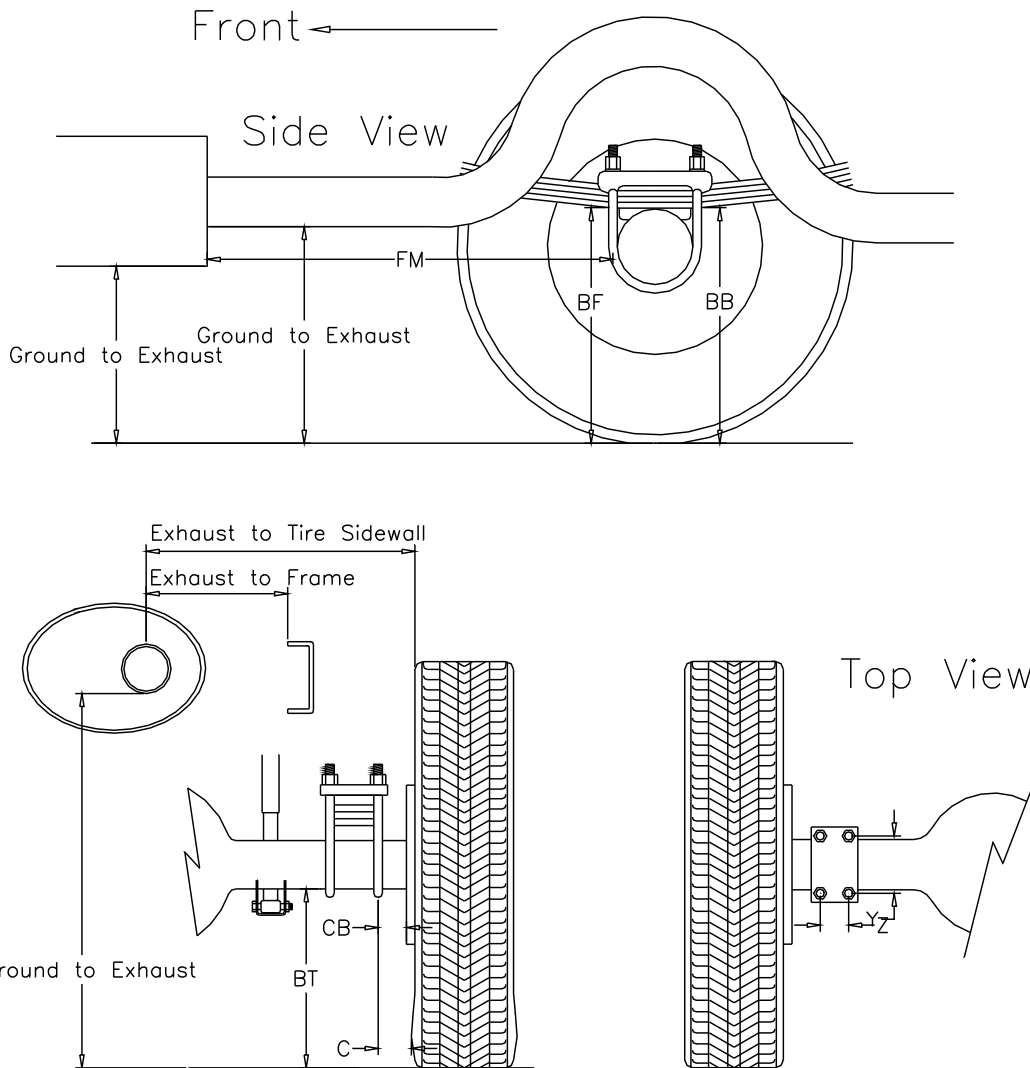
Ground to Fuel Tank: Rear tank _____ Side tank _____

Torsion Bar: Y / N Forward of axle / Behind axle

Distance frame to exhaust: Forward of axle _____ Behind axle _____

Distance ground to exhaust: Forward of axle _____ Behind axle _____

Distance from tire sidewall to side of exhaust _____



QUESTIONS? 1-800-224-2467 FAX COMPLETED FORM TO: 812-346-1819 OR EMAIL TO: service@onspot.com