



AUTOMATIC TIRE CHAINS

VEHICLE SUSPENSION INFORMATION

Standard Conventional U-Bolt

Form #3130009

The following information and measurements are required in order to determine if the vehicle can be fit with Onspots, and, if so, which Model Onspot Chain Set and Mounting Bracket Kit is required. This information will be different from vehicle to vehicle based on vehicle make/ model, axle make/model, tire size, and wheel offset. Any questions in completing this form can be addressed to Onspot at 800-224-2467. OEM NOTE: Please indicate if chassis has no body.

Dealer or OEM name: HME, Inc.

Customer name: Ref. Unit No 23733

Address: 1950 Byron Center Ave.

City: Wyoming State: MI Zip: 49519

Contact: Max Casler Phone Number: 616.261.3631

Quantity of identical vehicles for this order: 1

Description: (School Bus, Service Truck, etc.) Fire Truck

Vehicle Make: Model: Year:

Note: The following information applies to the rear suspension only.

Axle Make: Capacity: Tandem/Single

If tandem axles, indicate which axle was measured: Front Drive / Rear Drive

Axle Speed: Single/Two Tire Size: Brand:

Air Brakes: Yes/No Air brake cylinder location: Front/Back

Disc Brakes: Yes/No Suspension Type: Spring/Air/Other:

Shock on rear axle: Yes/No Shock location on rear axle: Front/Back

Shock bracket: Yes/No If yes, Shock bracket thickness (in.):

Torsion/Sway Bar: Yes/No Sway bar location: Front/Back

Are there any obstructions within 36" in front of or behind rear axle that would prevent the Onspot Installation? (ie. Fuel tank, air tank, exhaust, driveline retarder, cabinets, etc.)

If so indicate item and distance from AXLE, from GROUND, and from TIRE SIDEWALL.

Two horizontal lines for providing obstruction details.

VEHICLE SUSPENSION INFORMATION

Name _____ Unit # _____

(please circle) Axle Measuring FRONT / REAR

(A) The distance from the lowest part of the saddle plate to where the u-bolt nut contacts the saddle plate.
NOTE: This dimension does not apply to all axles.

(BF) The distance from the ground to where the front u-bolt nuts contact the saddle plate.

(BB) The distance from the ground to where the rear u-bolt nuts contact the saddle plate.

NOTE: If the BB or BF measurements are to the bottom of a shock bracket that is held in place by the u-bolt nuts, PLEASE INDICATE.

(C) The distance from the tire bulge (approximately 3 1/2 - 4 inches off the ground) to the center of the u-bolt closest to the tire. This measurement is best taken by hanging a plumb bob from the CENTER of the u-bolt and measuring to the tire bulge.

(D) The thread remaining below the u-bolt nuts (in inches).

(E) The thickness of the u-bolt nut (and washer if applicable).

(X) The diameter of the u-bolt. Fine or Coarse thread.
CAUTION: Some u-bolts may be metric.

(Y) The center to center distance of the u-bolts front to back.

(Z) The center to center distance of the u-bolts side to side.

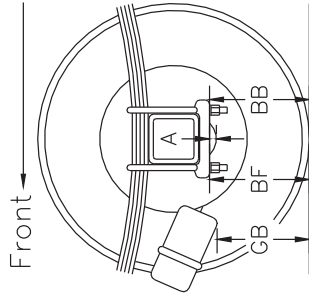
(GB) The distance from the ground to the LOWEST POINT of the brake chamber.

(SB) The distance from the tire sidewall to the CENTER of the brake chamber.

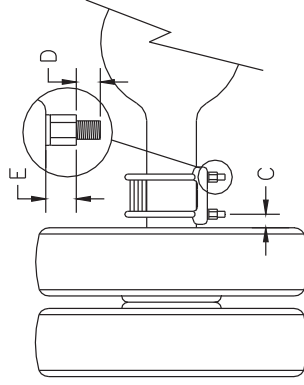
(UB) The distance from the FRONT U-BOLT to the brake chamber.

NOTE: The GB, SB, and UB measurements are to the SAME REFERENCE POINT on the air brake chamber.

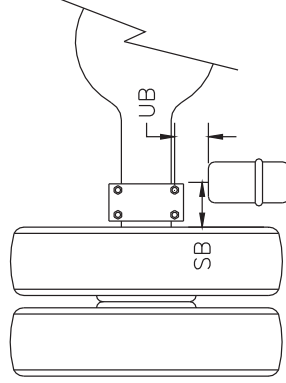
Depth of Round A = _____
 Height in Front BF = _____
 Height in back BB = _____
 Sidewall Distance C = _____
 Remaining U-bolt D = _____
 Nut Height Thickness E = _____



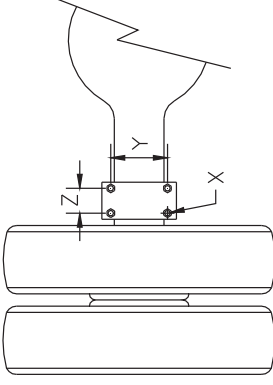
Side View



End View



Bottom View



Bottom View

U-Bolt Diameter X = _____ Fine/Coarse

Distance Front to Rear Y = _____

Distance Side to Side Z = _____

Brake Chamber to Ground
GB = _____

Brake Chamber to Tire
SB = _____

Brake Chamber to Front U-Bolt
UB = _____

QUESTIONS? 1-800-224-2467
FAX COMPLETED FORM TO: 812-346-1819
OR EMAIL TO: service@onspot.com