



Automatic Tire Chains

### Vehicle Suspension Information

FORM #3130009 Side 1 of 2

The following information and measurements are required in order to determine if the vehicle can be fit with Onspots, and, if so, which Model Onspot Chain Set and Mounting Bracket Kit is required. This information will be different from vehicle to vehicle based on vehicle make/ model, axle make/model, tire size, and wheel offset. Any questions in completing this form can be addressed to Onspot at 800-224-2467. OEM NOTE: Please indicate if chassis has no body.

Dealer or OEM name: HME Inc.

Customer name: \_\_\_\_\_ Ref. Unit No 22918

Address: 1950 Byron Center Ave.

City: Wyoming State: MI Zip: 49519

Contact: Kyle Adams Phone Number: 616-261-3644 Quantity of identical vehicles for this order: 1

Description: (School Bus, Service Truck, etc.) Fire Truck

Vehicle Make: Pumper Model: SFO\_4 X 4 Year: 2016

*Note: The following information applies to the rear suspension only.*

Axle Make: Meritor Capacity: 24,000 Tandem/Single

If tandem axles, indicate which axle was measured: Front Drive / Rear Drive

Axle Speed: Single/Two Tire Size: 445/50R22.50-20PR Brand: Michelin

Air Brakes: Yes/No Air brake cylinder location: Front/Back

Disc Brakes: Yes/No Suspension Type: Spring/Air/Other:

Shock on rear axle: Yes/No Shock location on rear axle: Front/Back

Shock bracket: Yes/No If yes, Shock bracket thickness (in.): 3/8

Torsion/Sway Bar: Yes/No Sway bar location: Front/Back

Are there any obstructions within 36" in front of or behind rear axle that would prevent the Onspot Installation? (ie. Fuel tank, air tank, exhaust, driveline retarder, cabinets, etc.)

If so indicate item and distance from AXLE, from GROUND, and from TIRE SIDEWALL.

None

VEHICLE SUSPENSION INFORMATION FORM #3130009

Side 2 of 2

(A) The distance from the lowest part of the saddle plate to where the u-bolt nut contacts the saddle plate.  
NOTE: This dimension does not apply to all axles.

(BF) The distance from the ground to where the front u-bolt nuts contact the saddle plate.

(BB) The distance from the ground to where the rear u-bolt nuts contact the saddle plate.  
NOTE: If the BB or BF measurements are to the bottom of a shock bracket that is held in place by the u-bolt nuts, PLEASE INDICATE.

(C) The distance from the tire bulge (approximately 3 1/2 – 4 inches off the ground) to the center of the u-bolt closest to the tire. This measurement is best taken by hanging a plumb bob from the CENTER of the u-bolt and measuring to the tire bulge.

(D) The thread remaining below the u-bolt nuts (in inches).

(E) The thickness of the u-bolt nut (and washer if applicable).

(X) The diameter of the u-bolt. Fine or Coarse thread.  
CAUTION: Some u-bolts may be metric.

(Y) The center to center distance of the u-bolts front to back.

(Z) The center to center distance of the u-bolts side to side.

(GB) The distance from the ground to the LOWEST POINT of the brake chamber.

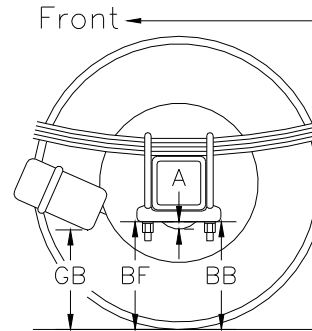
(SB) The distance from the tire sidewall to the CENTER of the brake chamber.

(UB) The distance from the FRONT U-BOLT to the brake chamber.

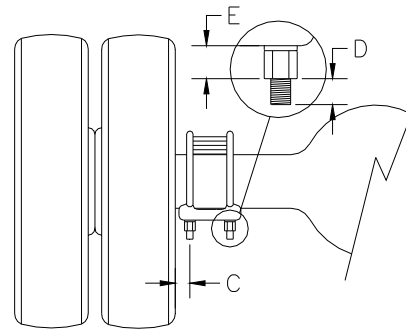
NOTE: The GB, SB, and UB measurements are to the SAME REFERENCE POINT on the air brake chamber.

QUESTIONS?? 1-800-224-2467

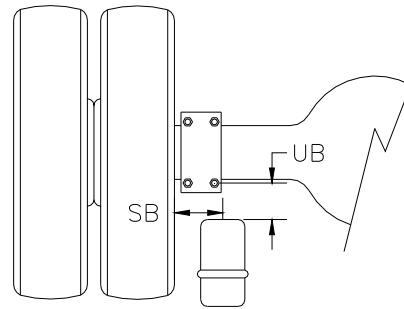
FAX COMPLETED FORM TO: 812-346-1819  
or Email service@onspot.com



Side View



End View



Bottom View

Depth of Round A = \_\_\_\_\_

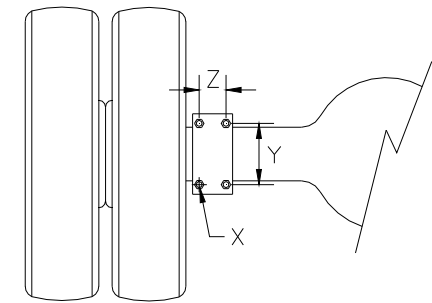
Height in Front BF = \_\_\_\_\_

Height in back BB = \_\_\_\_\_

Sidewall Distance C = \_\_\_\_\_

Remaining U-bolt D = \_\_\_\_\_

Nut Height Thickness E = \_\_\_\_\_



Bottom View

U-Bolt Diameter X = 1.00"  Fine/Coarse

Distance Front to Rear Y = 6.25"

Distance Side to Side Z = 4.00"

Brake Chamber to Ground  
GB = \_\_\_\_\_

Brake Chamber to Tire  
SB = \_\_\_\_\_

Brake Chamber to Front U-Bolt  
UB = \_\_\_\_\_