

4

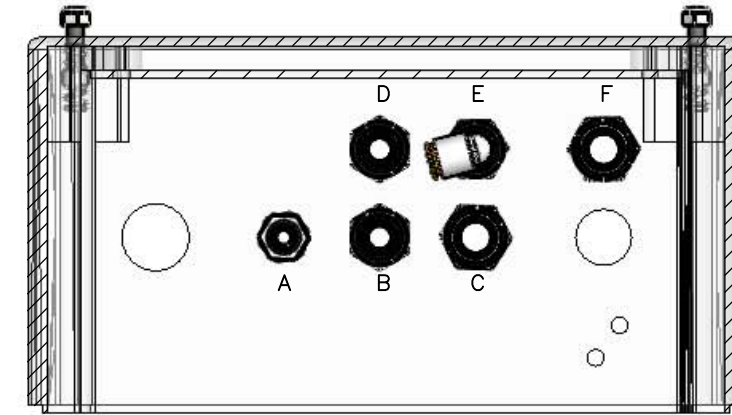
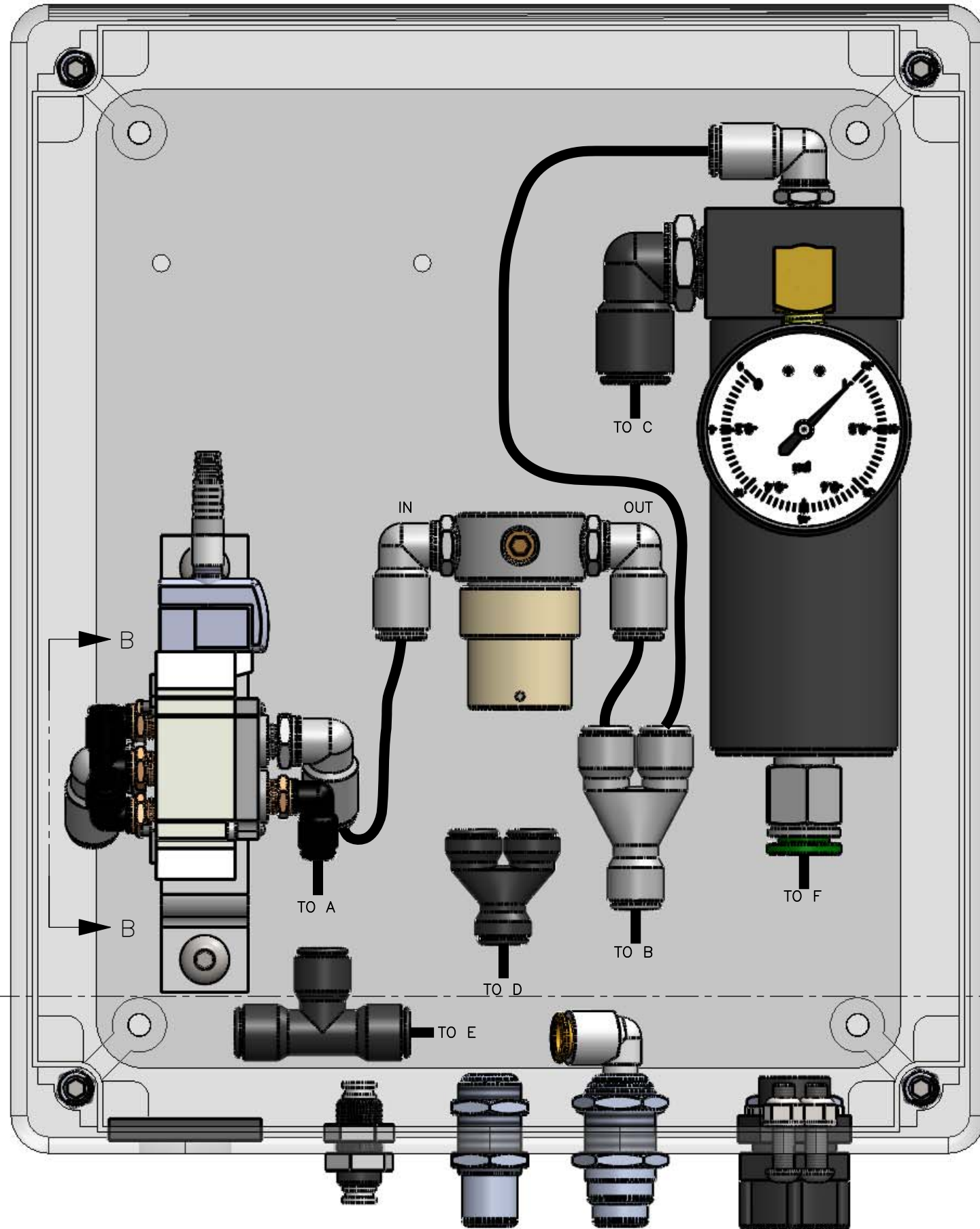
3

2

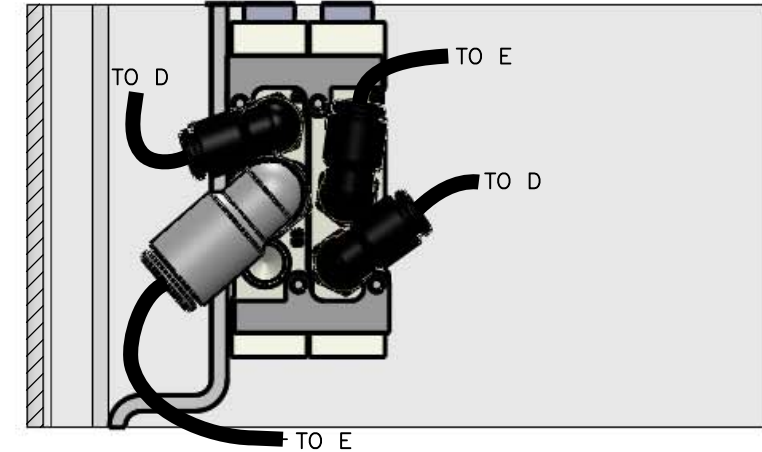
1

B

B



SECTION A-A  
SCALE 1 : 3



SECTION B-B

A

A

A

A

	<b>TITLE: SCHEMATIC, PNEUMATIC VACUUM ASSIST MODULE</b>	
	<b>DRAWING BY:</b> ELISA REINDL	<b>MATERIAL / SPECIFICATION</b> 
	<b>DATE:</b> 2/11/15	<b>REVISION:</b> A
	<b>REvised BY:</b> 	<b>SHEET 1 OF 2</b>
<b>DATE:</b> .	<b>DWG # 401003</b>	

4

3

2

1

4

3

2

1

B

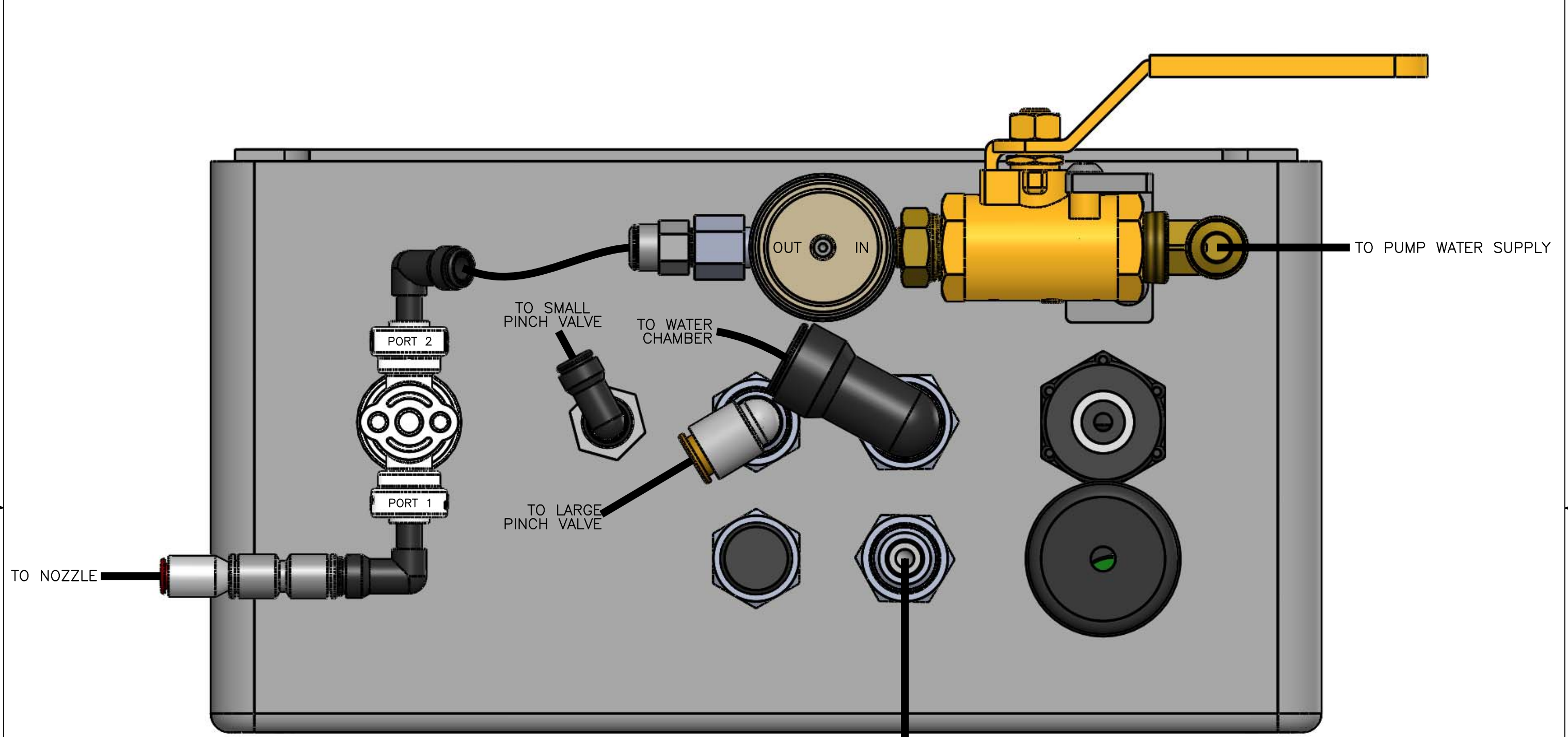
B


A

A

A

A



	<b>TITLE: SCHEMATIC, PNEUMATIC VACUUM ASSIST MODULE</b>	
	<b>DRAWING BY:</b> ELISA REINDL	<b>MATERIAL / SPECIFICATION</b> 
	<b>DATE:</b> 2/11/15	<b>REVISION:</b> A
	<b>REVISOR:</b>	<b>SHEET 2 OF 2</b>
<b>DATE:</b>	<b>DWG # 401003</b>	

4

3

2

1