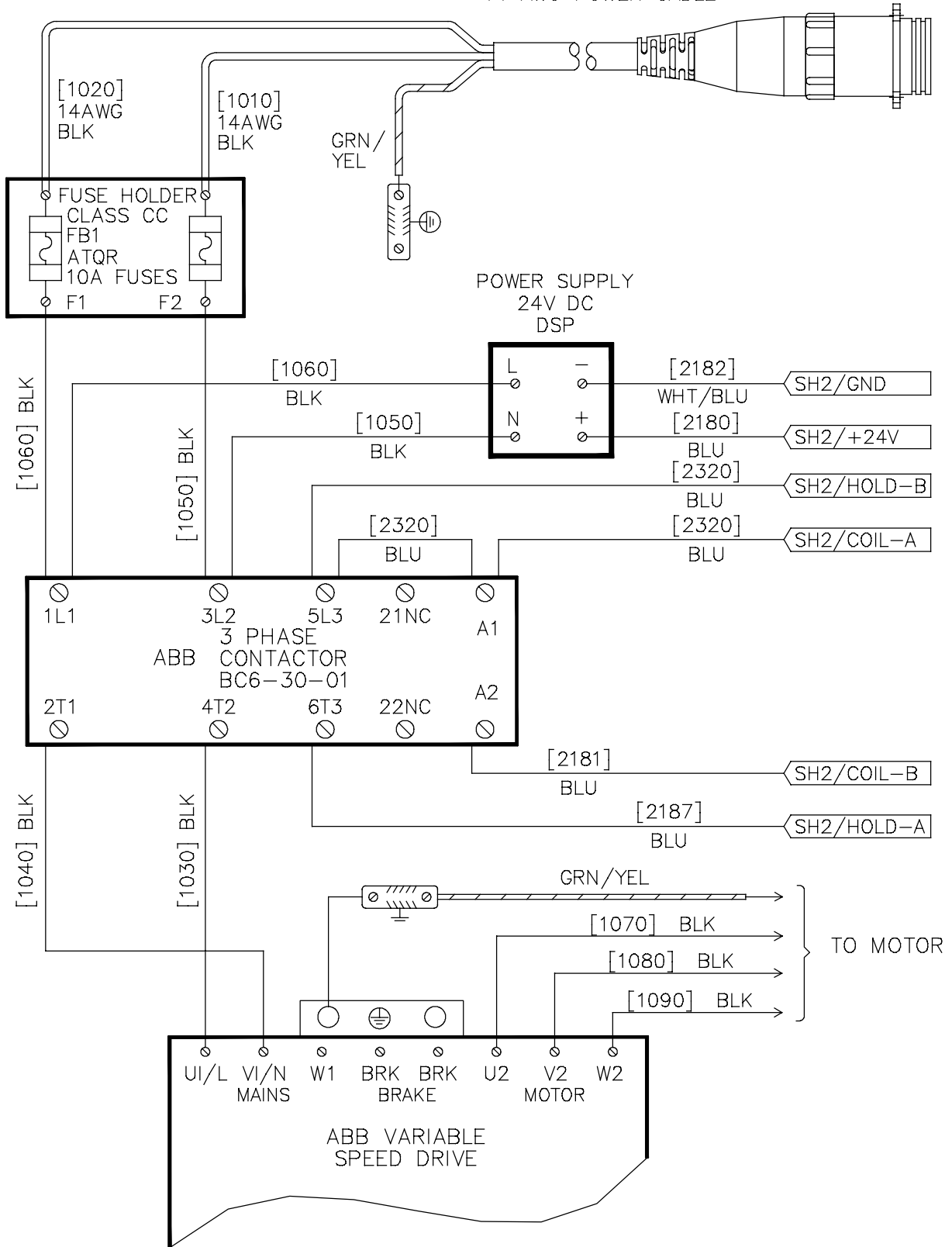
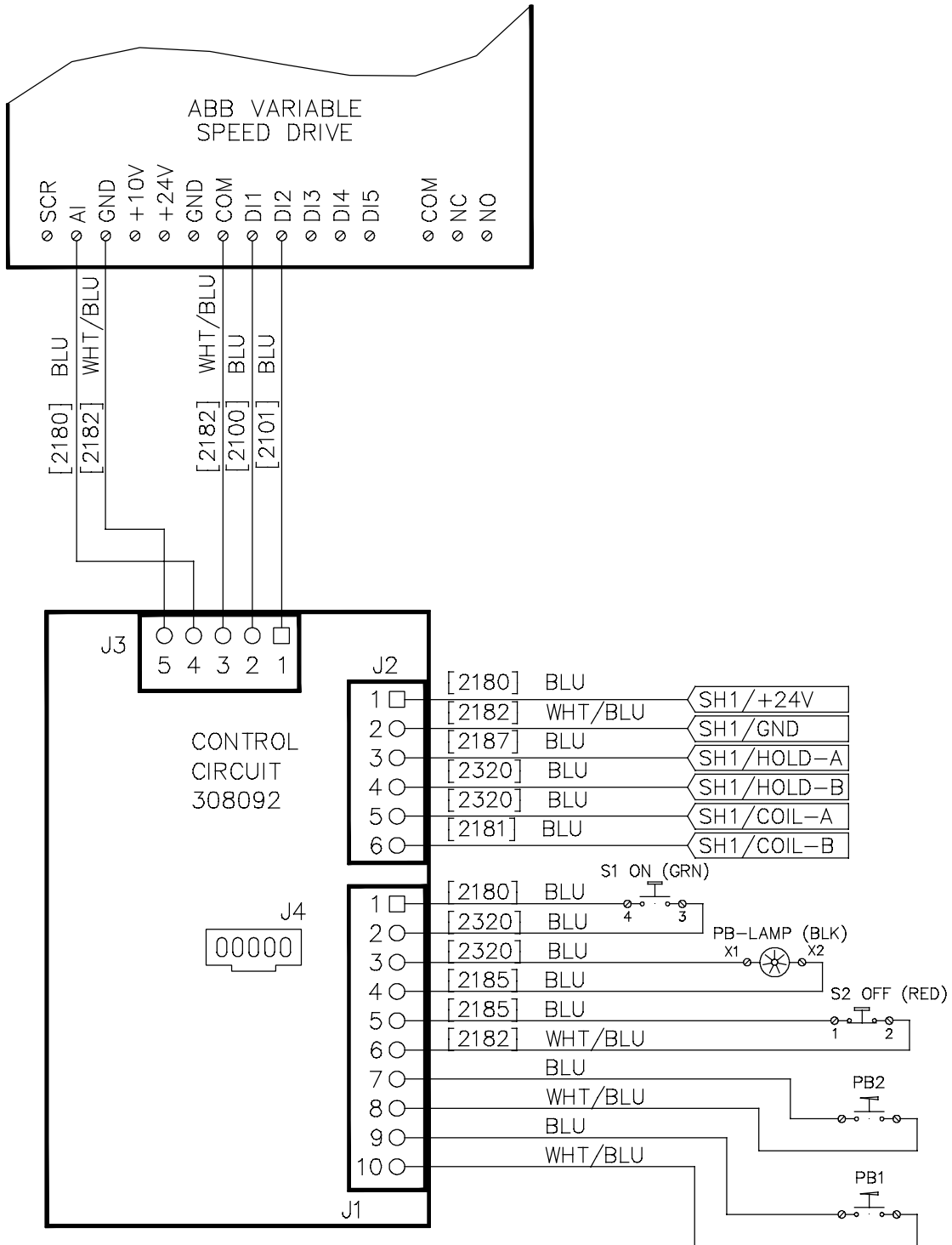


200-240 VAC, 1 PH, 50/60 Hz, 7 FLA, SCCR 10 kA
 LARGEST MOTOR 0.5 HP
 14 AWG POWER CABLE



- NOTES:
- 1) ALL HOOK UP WIRE SHALL BE RATED AT 600V MINIMUM, UL LISTED, 14AWG, MINIMUM UNLESS OTHERWISE STATED MINIMUM UNLESS OTHERWISE STATED.
 - 2) MARK ALL WIRES AND TERMINALS WITH NET LABELS WHERE NET NAME IS NOTED INSIDE BRACKET. EXAMPLE : MARK WIRE NOTES AS [1234] WITH 1234
 - 3) OFFPAGE INTERCONNECTIONS NOTED AS SHOWN BELOW
 - 4) WIRE SHOWN AS #14 GREEN WITH YELLOW STRIPE

	TITLE:SCHEMATIC, CONTROL BOX, VSRS	
	PROPRIETARY INFORMATION THIS DRAWING IS THE PROPERTY OF OMAX CORPORATION AND NOT TO BE COPIED OR REPRODUCED WITHOUT THE WRITTEN CONSENT OF OMAX CORPORATION.	DRAWING BY: C.ENGSTFELD DATE: 12/07/10
	REVISED BY: S.Branting DATE: 11/1/2011	SHEET 1 OF 2 CHANGE NO., DWG NO.400696C1



NOTES:

- 1) ALL HOOK UP WIRE SHALL BE RATED AT 600V MINIMUM, UL LISTED, 14AWG, MINIMUM UNLESS OTHERWISE STATED MINIMUM UNLESS OTHERWISE STATED.
- 2) MARK ALL WIRES AND TERMINALS WITH NET LABELS WHERE NET NAME IS NOTED INSIDE BRACKET. EXAMPLE : MARK WIRE NOTES AS [1234] WITH 1234
- 3) OFFPAGE INTERCONNECTIONS NOTED AS SHOWN BELOW
- 4) WIRE SHOWN AS #14 GREEN WITH YELLOW STRIPE



PROPRIETARY INFORMATION

THIS DRAWING IS THE PROPERTY OF OMAX CORPORATION AND NOT TO BE COPIED OR REPRODUCED WITHOUT THE WRITTEN CONSENT OF OMAX CORPORATION.

TITLE: SCHEMATIC, CONTROL BOX, VSRS

DRAWING BY:
C.ENGSTFELD
DATE: 12/07/10

REVISED BY:
S.Branting
DATE: 11/1/2011

MATERIAL / SPECIFICATION
SEE BOM

SHEET 2 OF 2 CHANGE NO.,

DWG NO.400696C2