

NOTES:

- 1) ALL WIRE 18AWG MTW UNLESS OTHERWISE SPECIFIED
- 2) TEXT OR SYMBOL FOLLOWING # IS A WIRE MARKER.



TITLE: SCHEMATIC, ELECTRICAL
COMPUTER CONTROLLER, 9-Axis

PROPRIETARY INFORMATION

THIS DRAWING IS THE PROPERTY OF OMAX CORPORATION AND NOT TO BE COPIED OR REPRODUCED WITHOUT THE WRITTEN CONSENT OF OMAX CORPORATION.

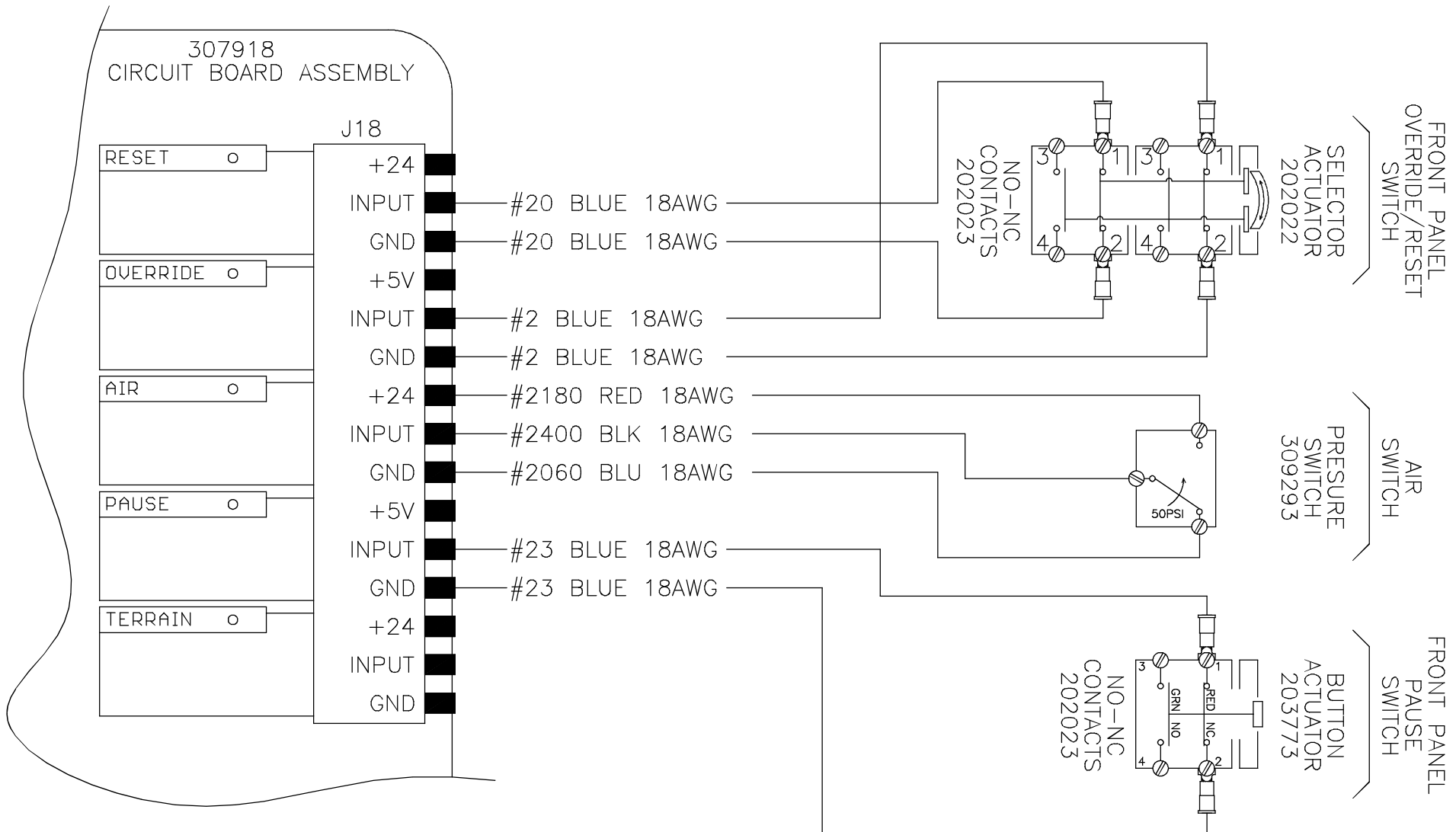
DRAWING BY:
EWA KURCZYCH
DATE: 08/27/09

REVISED BY:
WILL BREWER
DATE: 1/11/13

MATERIAL / SPECIFICATION

SHEET 1 OF 4 | CHANGE NO.

DWG NO. 400611E1



NOTES:

- 1) TEXT OR SYMBOL FOLLOWING # IS A WIRE MARKER
- 2) RESET LIGHT OFF WHEN RESET SWITCH IS SELECTED
- 3) OVERRIDE LIGHT OFF WHEN OVERRIDE SWITCH IS SELECTED
- 4) AIR LIGHT ON WHEN AIR IS NOT PRESENT
- 5) PAUSE LIGHTS OFF WHEN PAUSE SWITCH IS PUSHED

OMAX

TITLE: SCHEMATIC, ELECTRICAL,
COMPUTER CONTROLLER, 9-AXIS

PROPRIETARY INFORMATION

THIS DRAWING IS THE PROPERTY
OF OMAX CORPORATION AND NOT
TO BE COPIED OR REPRODUCED
WITHOUT THE WRITTEN CONSENT
OF OMAX CORPORATION.

DRAWING BY:
EWA KURCZYCH
DATE: 08/27/09

REVISED BY:
WILL BREWER
DATE: 1/11/13

MATERIAL / SPECIFICATION

SHEET 2 OF 4 | CHANGE NO.

DWG NO. 400611E2

307918
CIRCUIT BOARD ASSEMBLY

J12

+24 — BLUE 22AWG — POWER FOR ALL RELAYS
 +24_JMP — BLUE 22AWG —
 +24_JMP — BLUE 22AWG — POWER FOR PUMP-A RELAYS
 J12_+24 — BLUE 22AWG —

RELAY 0
PUMP-A
PUMP ON

OUTPUT — #7 — PIN 9
 GROUND —

RELAY 1
PUMP-A
LOW P

OUTPUT — #6 — PIN 8
 GROUND — #2060 — PIN 3

RELAY 2
PUMP-A
JET ON

OUTPUT — #2700 RED
 GROUND — #2060 BLACK

RELAY 3
PUMP-A
ABR ON

OUTPUT — #2800 RED
 GROUND — #2060 BLACK

J14

+24_JMP — BLUE 22AWG —
 J14_+24 — BLUE 22AWG — POWER FOR PUMP-B RELAYS

RELAY
PUMP-B
PUMP ON

OUTPUT —
 GROUND —

RELAY
PUMP-B
LOW P

OUTPUT —
 GROUND —

RELAY
PUMP-B
JET ON

OUTPUT —
 GROUND —

RELAY
PUMP-B
ABR ON

OUTPUT —
 GROUND —

POWER FOR ALL RELAYS

POWER FOR PUMP-A RELAYS

POWER FOR PUMP-B RELAYS

PUMP #1
COMMUNICATION
306693


USB-RS485
ADAPTER
309820

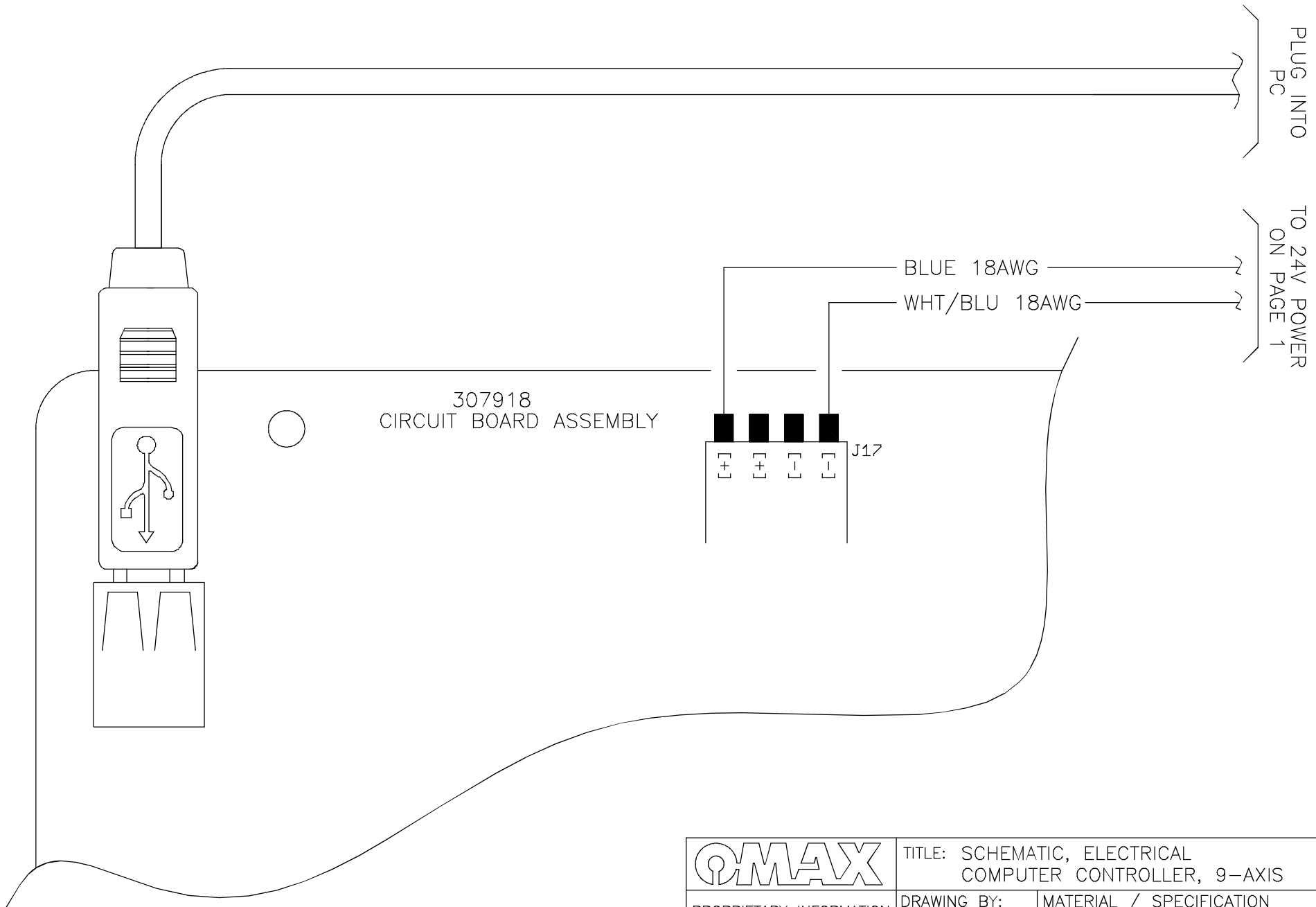
AIR VALVE
ASSEMBLY
308697

PLUG INTO
PC

NOTES:

1) TEXT OR SYMBOL FOLLOWING # IS A WIRE MARKER

		TITLE: SCHEMATIC, ELECTRICAL COMPUTER CONTROLLER, 9-AXIS	
		DRAWING BY: EWA KURCZYCH DATE: 08/27/09	MATERIAL / SPECIFICATION
PROPRIETARY INFORMATION THIS DRAWING IS THE PROPERTY OF OMAX CORPORATION AND NOT TO BE COPIED OR REPRODUCED WITHOUT THE WRITTEN CONSENT OF OMAX CORPORATION.	REVISED BY: WILL BREWER DATE: 1/11/13	SHEET 3 OF 4	CHANGE NO.
	DWG NO. 400611E3		



TITLE: SCHEMATIC, ELECTRICAL
COMPUTER CONTROLLER, 9-AXIS

PROPRIETARY INFORMATION

THIS DRAWING IS THE PROPERTY
OF OMAX CORPORATION AND NOT
TO BE COPIED OR REPRODUCED
WITHOUT THE WRITTEN CONSENT
OF OMAX CORPORATION.

DRAWING BY:
EWA KURCZYCH
DATE: 08/27/09

REVISED BY:
WILL BREWER
DATE: 1/11/13

MATERIAL / SPECIFICATION

SHEET 4 OF 4 | CHANGE NO.

DWG NO. 400611E4