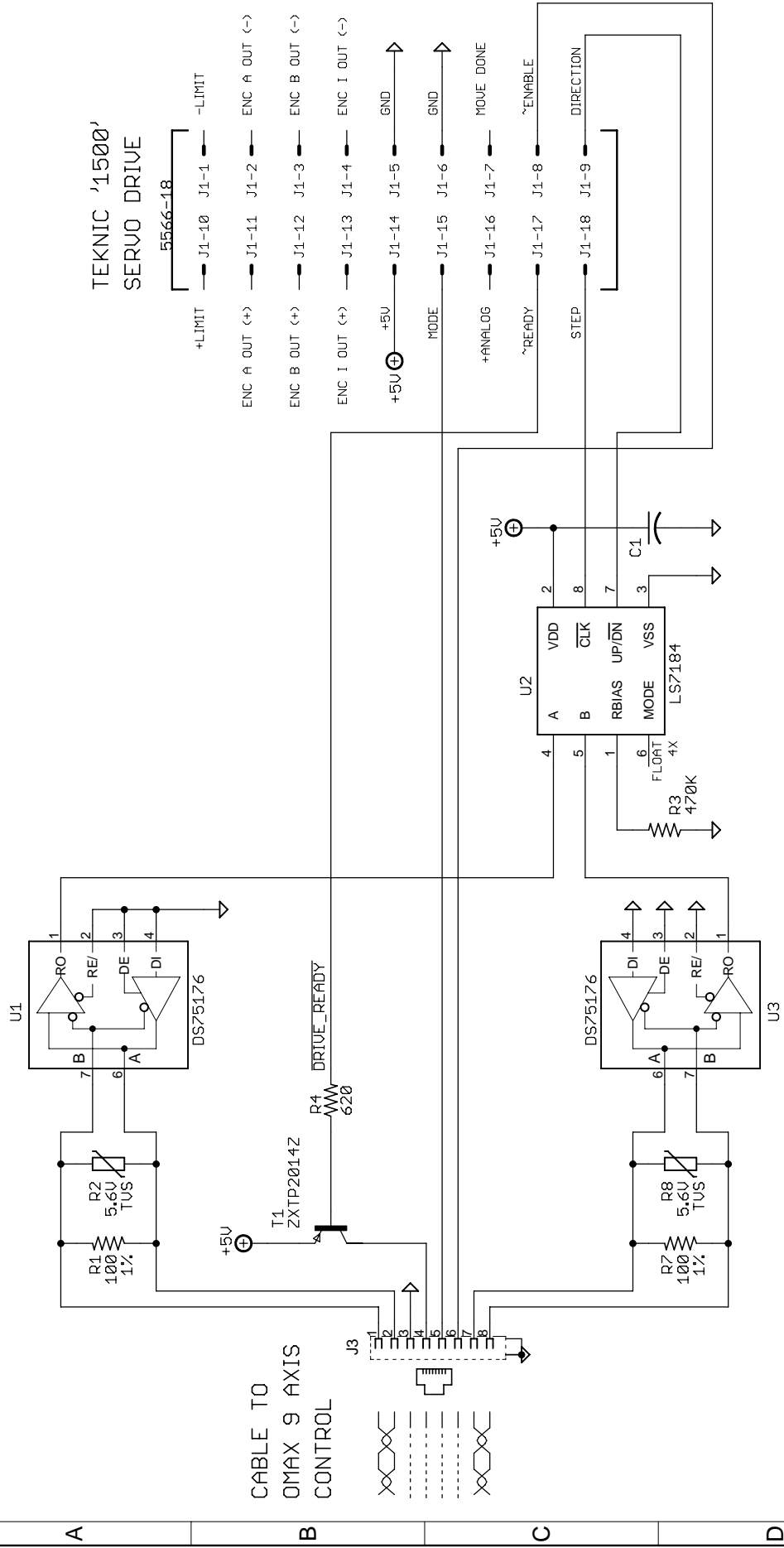


1 2 3 4 5 6 7 8



TEKNIC '1500'
SERVO DRIVE

- 5566-18
- J1-10 J1-1 -LIMIT
- J1-11 J1-2 ENC A OUT (->)
- J1-12 J1-3 ENC B OUT (->)
- J1-13 J1-4 ENC I OUT (->)
- J1-14 J1-5 GND
- J1-15 J1-6 GND
- J1-16 J1-7 MOVE DONE
- J1-17 J1-8 ~ENABLE
- J1-18 J1-9 DIRECTION

OMAX	
PROPRIETARY INFORMATION DRAWING IS THE PROPERTY OF OMAX CORPORATION AND NOT TO BE COPIED OR REPRODUCED WITHOUT THE WRITTEN CONSENT OF OMAX CORPORATION.	
TITLE: CIRCUIT BOARD, AMPLIFIER INTERFACE CIRCUIT QUADRATURE, 1500 DRIVE	MATERIAL / SPECIFICATION (NONE)
DRAWING BY: KEVIN HAY	SHEET 1 OF 1 CHANGE NO. 400544B1
DATE: 03-NOV-2008	
REVISED BY: KEVIN HAY	DATE: 21-MAR-2013

NOTES:

1. ALL CAPACITORS ARE 0.1UF, 50V UNLESS OTHERWISE NOTED
2. ALL RESISTORS ARE 1/10 W UNLESS OTHERWISE NOTED

