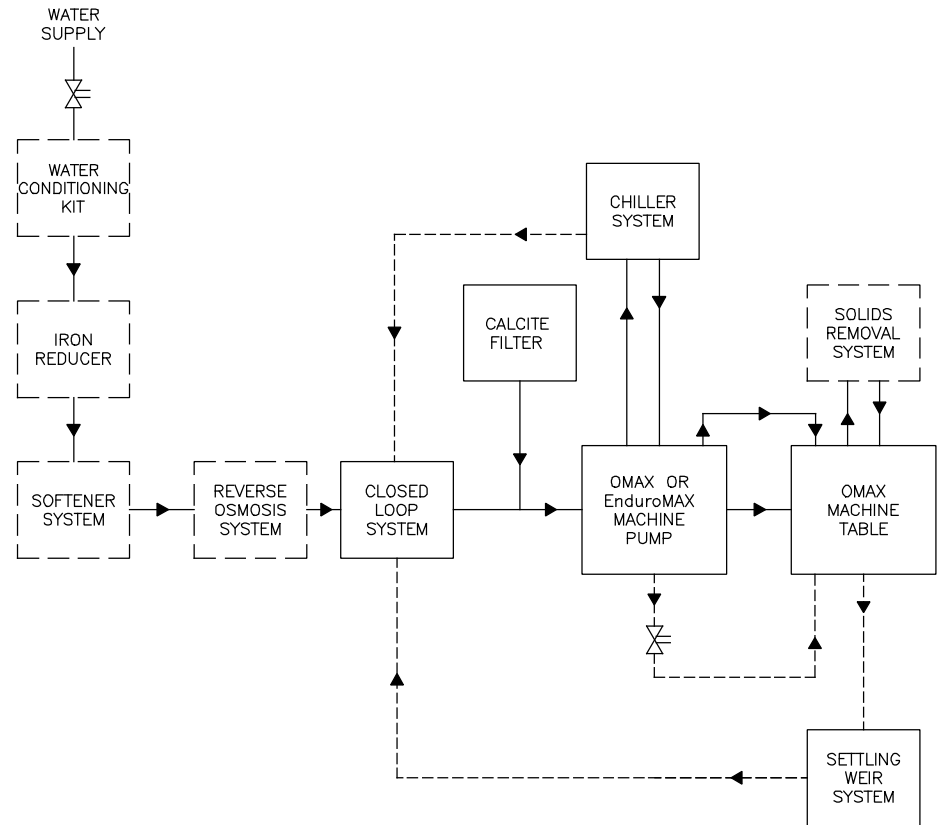


WATER CIRCUIT BLOCK DIAGRAM
STANDARD SYSTEM

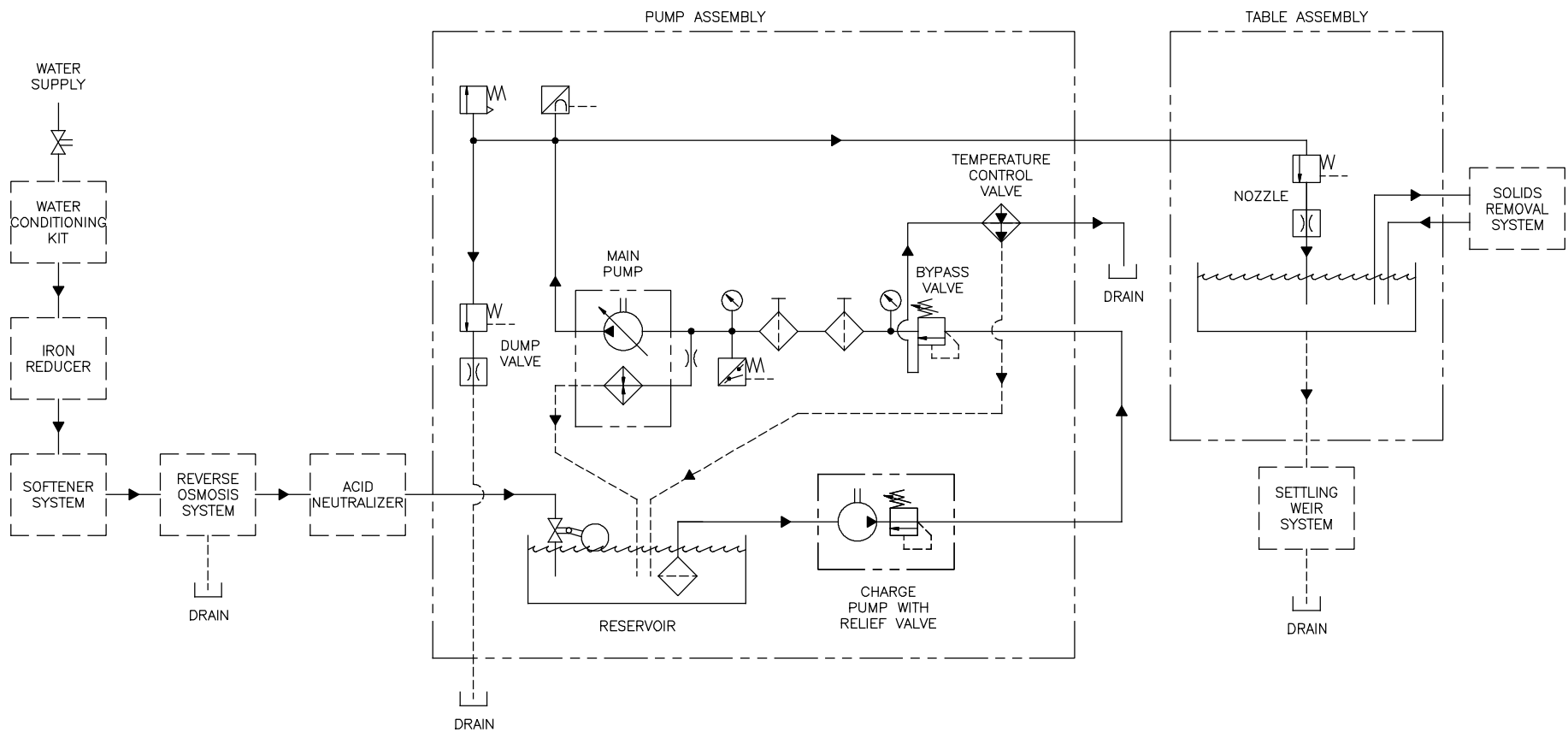


WATER CIRCUIT BLOCK DIAGRAM
CLOSED LOOP SYSTEM


SYSTEM COMPONENT LEGEND

- STANDARD COMPONENT
- OPTIONAL COMPONENT

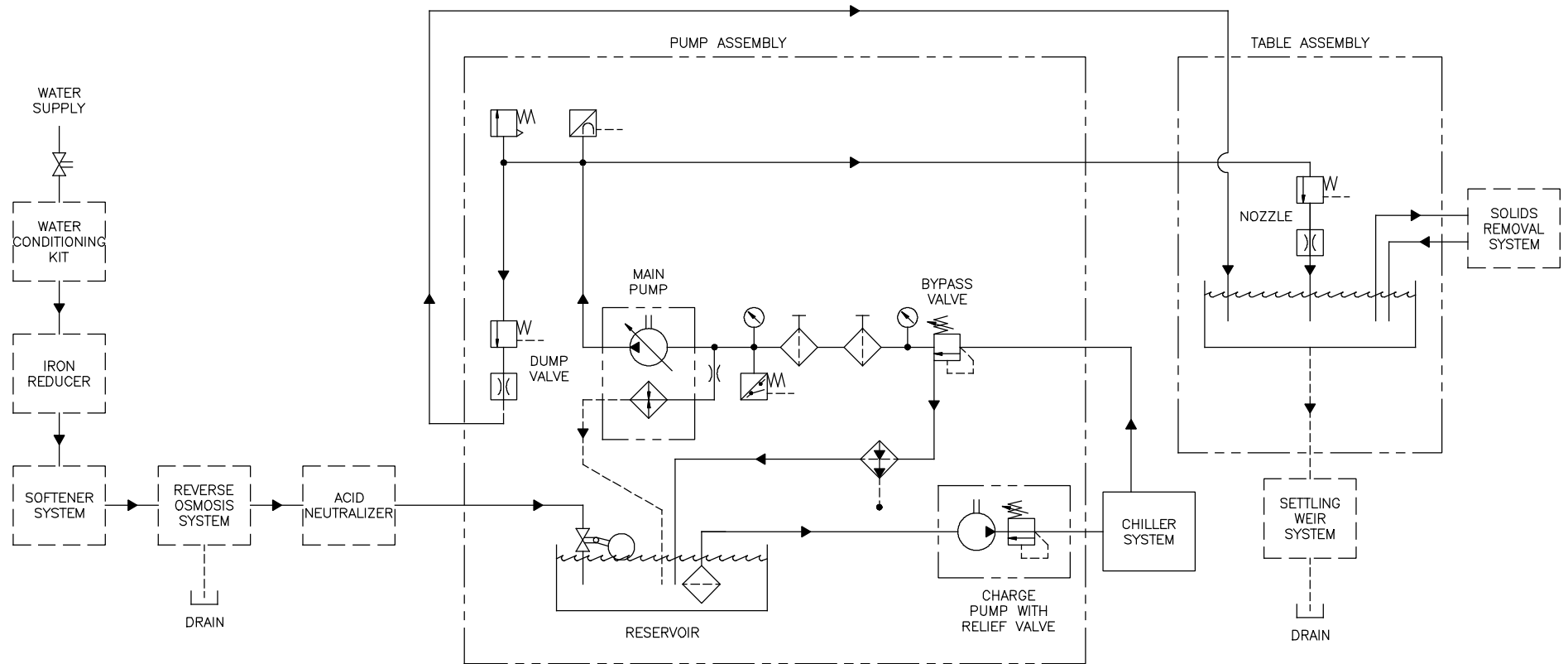
	TITLE: SCHEMATIC, WATER, OMAX MACHINE SYSTEM	
	PROPRIETARY INFORMATION THIS DRAWING IS THE PROPERTY OF OMAX CORPORATION AND NOT TO BE COPIED OR REPRODUCED WITHOUT THE WRITTEN CONSENT OF OMAX CORPORATION.	DRAWING BY: E.KURCZYCH DATE: 5/6/03
	REVISED BY: EWA KURCZYCH DATE: 4/5/13	SHEET 1 OF 5 CHANGE NO.. DWG NO. 303397L1



WATER CIRCUIT SCHEMATIC
STANDARD SYSTEM

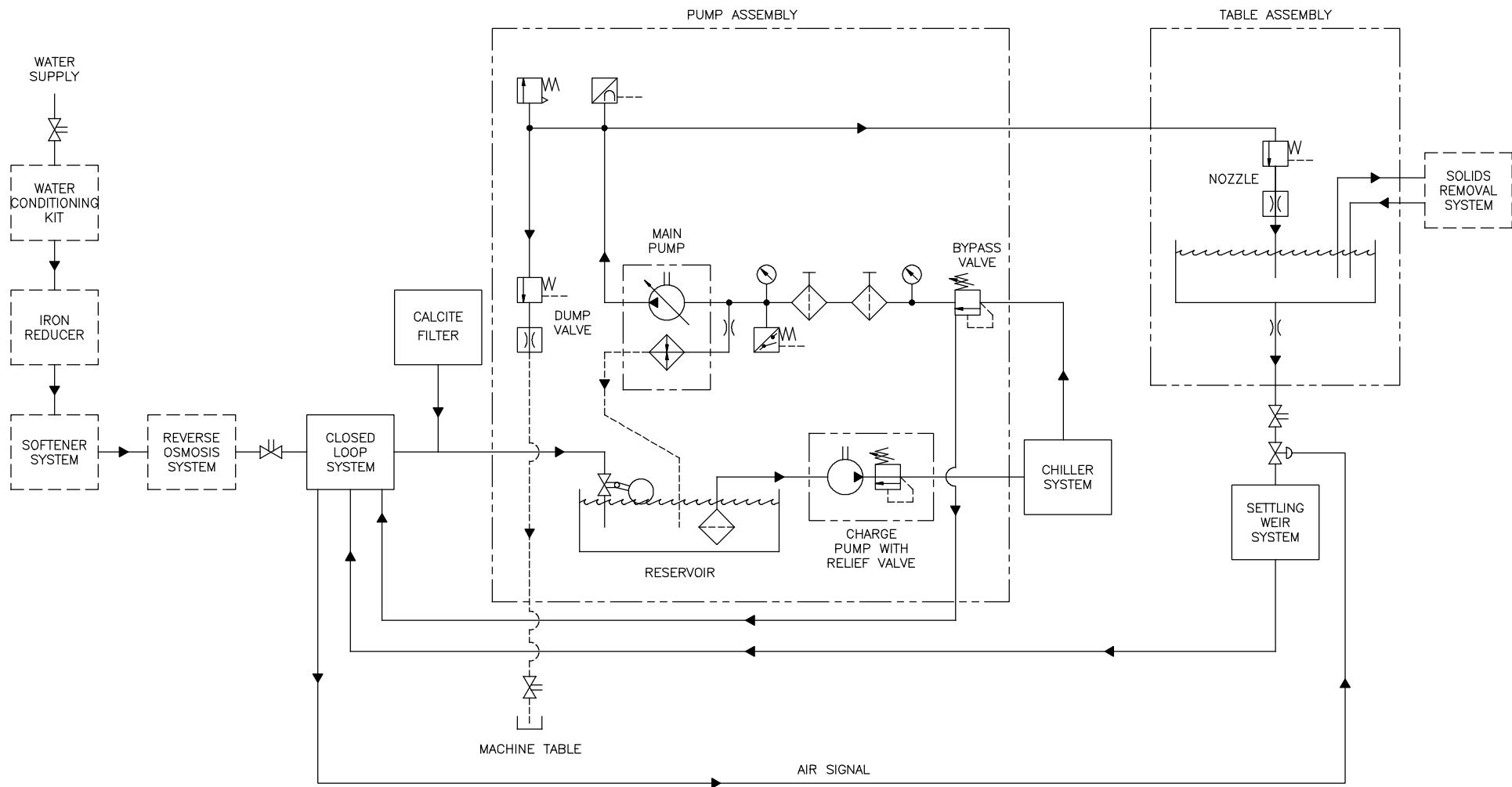
	TITLE: SCHEMATIC, WATER, OMAX MACHINE SYSTEM	
	DRAWING BY: E.KURCZYCH	MATERIAL / SPECIFICATION
	DATE: 5/6/03	.
	REVISD BY: EWA KURCZYCH	SHEET 2 OF 5
DATE: 4/5/13	CHANGE NO. .	DWG NO. 303397L2

PROPRIETARY INFORMATION
THIS DRAWING IS THE PROPERTY OF OMAX CORPORATION AND NOT TO BE COPIED OR REPRODUCED WITHOUT THE WRITTEN CONSENT OF OMAX CORPORATION.



WATER CIRCUIT SCHEMATIC
CHILLER ONLY

	TITLE: SCHEMATIC, WATER, OMAX MACHINE SYSTEM			
	<u>PROPRIETARY INFORMATION</u>	DRAWING BY: E.KURCZYCH	MATERIAL / SPECIFICATION	
	THIS DRAWING IS THE PROPERTY OF OMAX CORPORATION AND NOT TO BE COPIED OR REPRODUCED WITHOUT THE WRITTEN CONSENT OF OMAX CORPORATION.	DATE: 5/6/03	SHEET 3 OF 5 CHANGE NO. .	
		REVISED BY: EWA KURCZYCH		



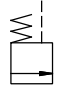
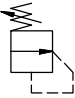
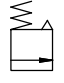
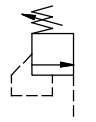


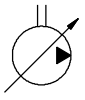

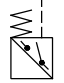
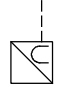
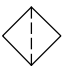
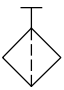
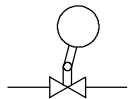
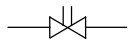
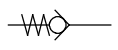


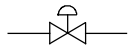
WATER CIRCUIT SCHEMATIC


CLOSED LOOP SYSTEM

	TITLE: SCHEMATIC, WATER, OMAX MACHINE SYSTEM		
	DRAWING BY: E.KURCZYCH	MATERIAL / SPECIFICATION	
	DATE: 5/6/03	.	
	REVISED BY: EWA KURCZYCH	SHEET 4 OF 5	CHANGE NO. .
DATE: 4/5/13	DWG NO. 303397L4		

PROPRIETARY INFORMATION
 THIS DRAWING IS THE PROPERTY OF OMAX CORPORATION AND NOT TO BE COPIED OR REPRODUCED WITHOUT THE WRITTEN CONSENT OF OMAX CORPORATION.

SCHEMATIC SYMBOL LEGEND

- 
VALVE, PNEUMATIC CONTROL
- 
VALVE, PRESSURE REGULATOR, VARIABLE
- 
VALVE, PRESSURE RELIEF, FIXED, VENTED
- 
VALVE, PRESSURE RELIEF, VARIABLE, EXTERNAL DRAIN
- 
HEAT EXCHANGER
- 
PUMP, FIXED DISPLACEMENT
- 
PUMP, VARIABLE DISPLACEMENT
- 
ORIFICE
- 
PRESSURE SWITCH
- 
PRESSURE TRANSDUCER
- 
FILTER
- 
FILTER WITH BLEED PORT
- 
FLOAT VALVE
- 
HAND VALVE
- 
CHECK VALVE
- 
PRESSURE GAUGE
- 
TEMPERATURE CONTROL VALVE
- 
PNEUMATIC OPERATED VALVE

	TITLE: SCHEMATIC, WATER, OMAX MACHINE SYSTEM	
	DRAWING BY: E. KURCZYCH	MATERIAL / SPECIFICATION
	DATE: 5/6/03	.
	REVISD BY: EWA KURCZYCH	SHEET 5 OF 5 CHANGE NO. .
DATE: 4/5/13	DWG NO. 303397L5	
PROPRIETARY INFORMATION THIS DRAWING IS THE PROPERTY OF OMAX CORPORATION AND NOT TO BE COPIED OR REPRODUCED WITHOUT THE WRITTEN CONSENT OF OMAX CORPORATION.		