



PARTS LIST

DE0061 SERIES

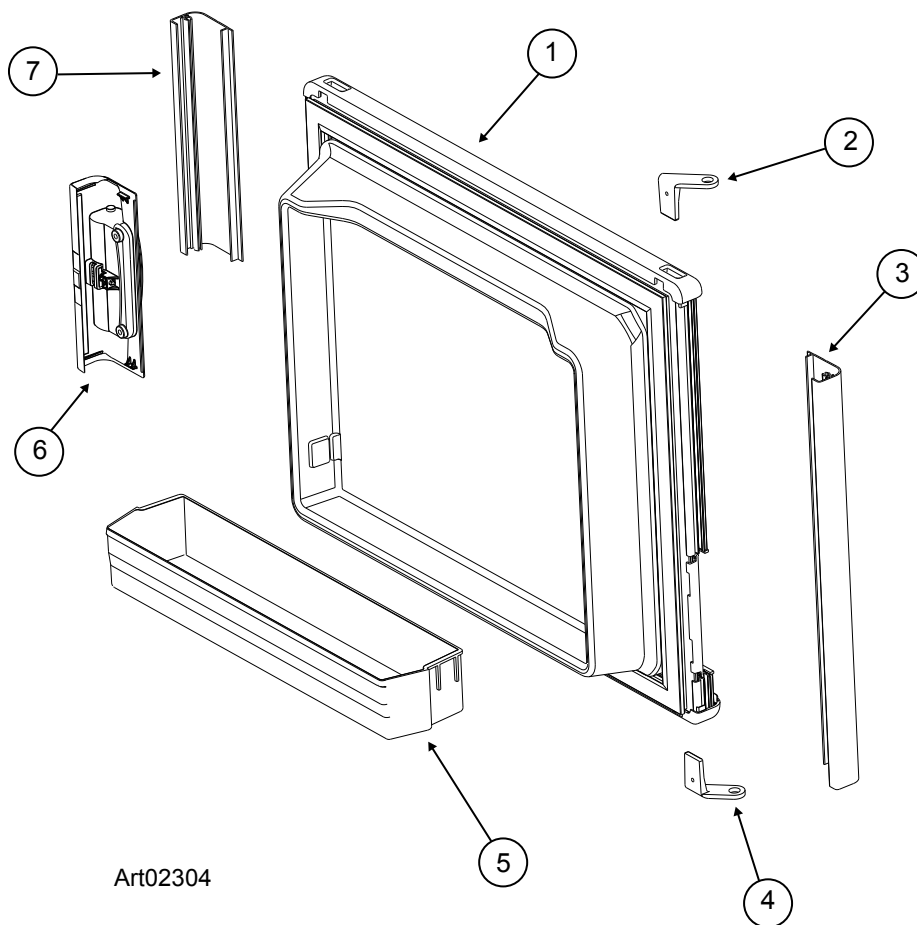
DE0061

DE0061T

EV0061

PART NO.624380
NORCOLD 3/21/2017

DOOR - UPPER (FREEZER) - DE0061 SERIES

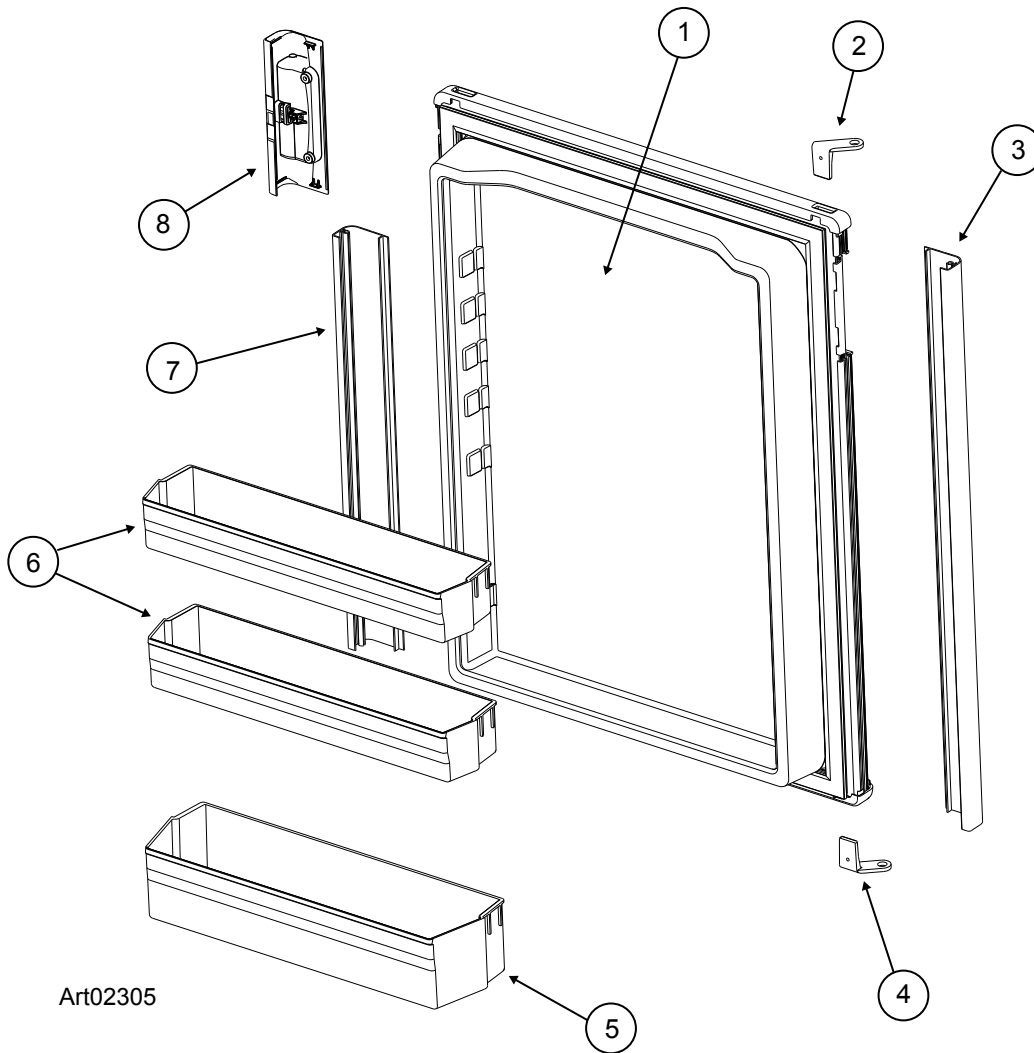


Art02304

NO.	PART #	DESCRIPTION	DE0061	DE0061T	EV0061
1	621560	DOOR LINER ASSY-FOAMED/UPPER	X	X	X
2	618510	HINGE-DOOR SIDE/TOP LH/BTM RH/BLACK	X	X	X
3	621518	PANEL RETAINER-BLACK/UPPER DOOR/HINGE SIDE	X	X	X
4	618511	HINGE-DOOR SIDE/TOP RH/BTM LH/BLACK	X	X	X
5	618619	BIN-DOOR SHELF/SMALL/WHITE	X	X	X
6	621520	DOOR HANDLE ASSY-VERTICAL	X	X	X
7	621519	PANEL RETAINER-BLACK/UPPER DOOR/HANDLE SIDE	X	X	X
NS	618160	CAP-HINGE PLUG/BLACK	X	X	X
NS	619569	BOLT-CAP SHOULDER/TORX HEAD	X	X	X

NS = NOT SHOWN

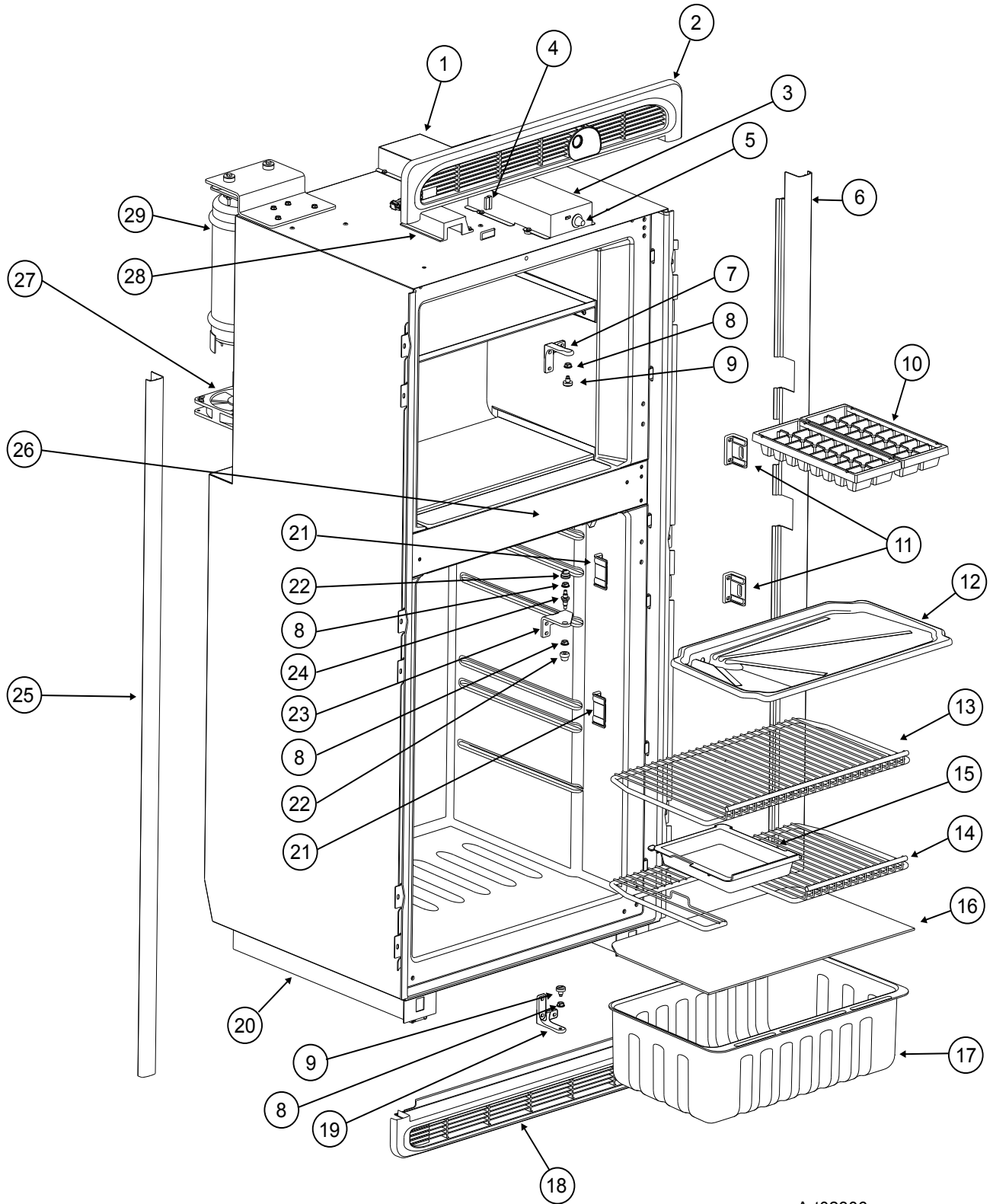
DOOR - LOWER (FRESH FOOD) - DE0061 SERIES



NO.	PART #	DESCRIPTION	DE0061	DE0061T	EV0061
1	621559	DOOR LINER ASSY-FOAMED/LOWER	X	X	X
2	618510	HINGE-DOOR SIDE/TOP LH/BTM RH/BLACK	X	X	X
3	621547	PANEL RETAINER-BLACK/LOWER DOOR/HINGE SIDE	X	X	X
4	618511	HINGE-DOOR SIDE/TOP RH/BTM LH/BLACK	X	X	X
5	623696	BIN-DOOR-LARGE WHITE	X	X	X
6	618619	BIN-DOOR SHELF/SMALL/WHITE	X	X	X
7	621548	PANEL RETAINER-BLACK/LOWER DOOR/HANDLE SIDE	X	X	X
8	621520	DOOR HANDLE ASSY-VERTICAL	X	X	X
NS	618160	CAP-HINGE PLUG/BLACK	X	X	X
NS	619569	BOLT-CAP SHOULDER/TORX HEAD	X	X	X

NS = NOT SHOWN

CABINET ASSY - FRONT VIEW - DE0061 (SERIAL NO 14328523 AND BEFORE)
- DE0061T
- EV0061



Art02306

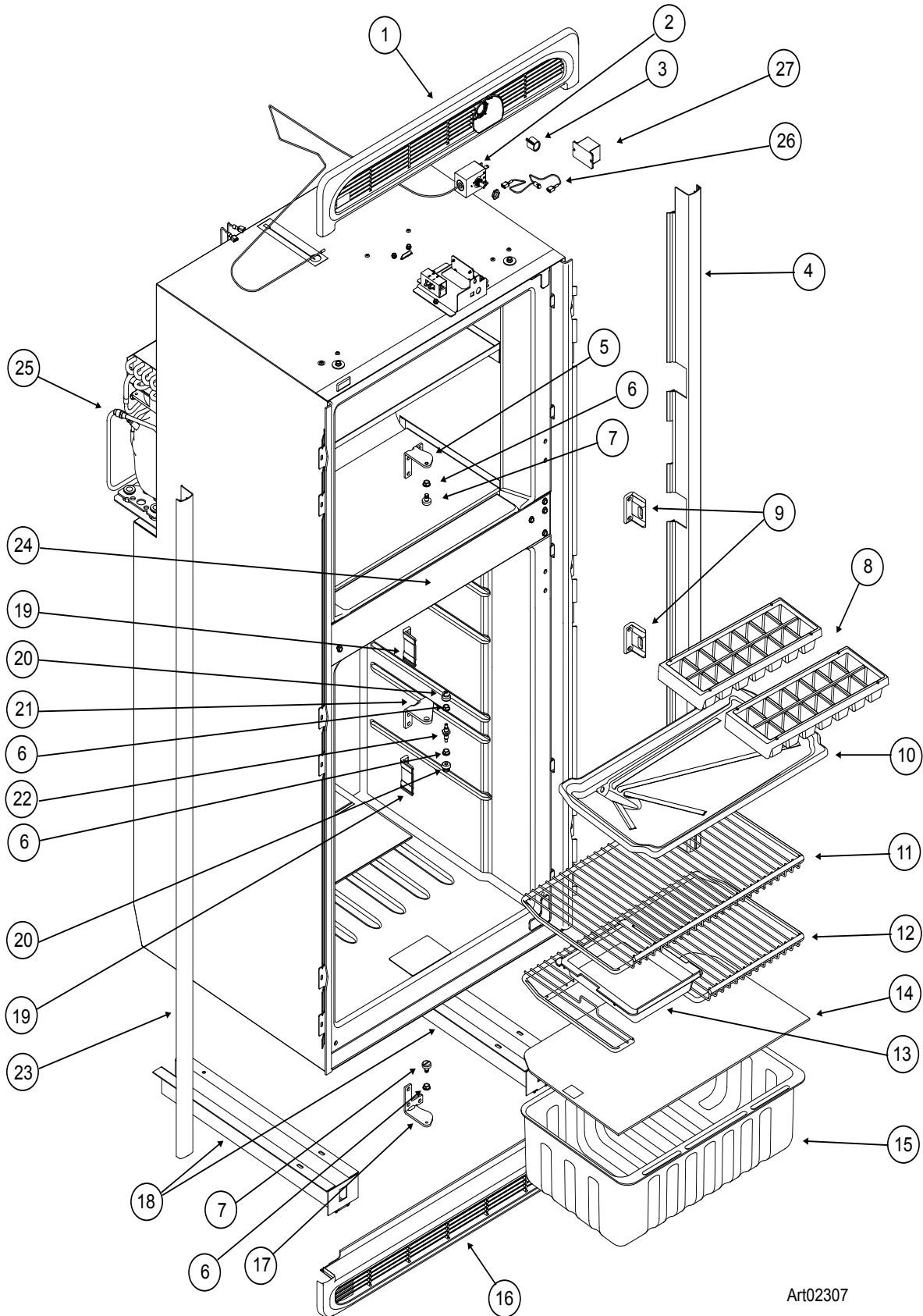
**CABINET ASSY - FRONT VIEW - DE0061 (SERIAL NO 14328523 AND BEFORE)
- DE0061T
- EV0061**

NO.	PART #	DESCRIPTION	DE0061	DE0061T	EV0061
1	169000600	POWER SUPPLY-AC (SP-298B)	X	X	
	169000610	POWER SUPPLY-AC (SP-298A)			X
2	621634	GRILL-TOP/VENTILATION	X	X	X
3	163011300	POWER SUPPLY-DC/SP-297	X		X
	163011310	POWER SUPPLY-DC/SP-296		X	
4		FUSE-BLADE/15 AMP/DC POWER SUPPLY (AUTOMOTIVE SUPPLY)	X	X	X
5	160220100	KNOB-THERMOSTAT	X	X	X
6	623128	TRIM PIECE-SIDE/RH	X	X	X
7	619336	HINGE-CABINET/3 POINT/TOP LH/BTM RH/PANEL/BLACK	X	X	X
8	618144	HINGE BUSHING-DOOR HINGE/BLACK	X	X	X
9	618145	HINGE PIN-DOOR/PANEL DOORS/BLACK	X	X	X
10	61630422	ICE CUBE TRAY-PLASTIC	X	X	X
11	621557	STRIKE PLATE-BLACK	X	X	X
12	621534	DRIP TRAY-INSIDE/EVAPORATOR	X	X	X
13	621580	SHELF-WIRE/FULL	X	X	X
14	623135	SHELF-WIRE/WITH CUTOUT	X	X	X
NS	623121	CLAMP-SHELF RETAINING LOOP 3/8"	X	X	X
15	617756	TRAY-SHELF/WHITE/CUT OUT	X	X	X
16	621691	CRISPER COVER-GLASS SHELF	X	X	X
NS	61580322	RETAINER-GLASS SHELF (NOT SHOWN)	X	X	X
17	621692	CRISPER-DV0061 SERIES	X	X	X
18	621573	GRILL ASSY-BOTTOM	X	X	X
19	619335	HINGE-CABINET/3 POINT/TOP RH/BTM LH/PANEL/BLACK (USE 624785)	X	X	X
	624785	HINGE-CABINET 10-32 UR/LL BLACK	X	X	X
20	623133	CHANNEL-BOTTOM RAIL	X	X	X
21	621697	COVER-STRIKE PLATE/BLACK	X	X	X
22	621621	HINGE CAP-CENTERPOST/BLACK	X	X	X
23	621563	HINGE-CENTER	X	X	X
24	621620	HINGE CENTERPOST-STUD/CENTER HINGE	X	X	X
25	623129	TRIM PIECE-SIDE/LH	X	X	X
26	621625	DIVIDER ASSY-FOAMED	X	X	X
NS	61629722	LAMP BRACKET ASSY (USE 638292)	X	X	X
	638292	KIT SERVICE LAMP BRACKET REPLACEMENT	X	X	X
NS	632545	LAMP-DC LIGHT BULB	X	X	X
NS	621827	COVER-LAMP BRACKET	X	X	X
NS	623119	SWITCH-CABINET LIGHT	X	X	X
27	160929310	FAN ONLY-50 CYCLE/LARGE	X	X	X
28	169000700	CIRCUIT BOARD-LIGHT CONTROL	X	X	X
29	161013500	COOLING UNIT-DE0061/EV0061	X	X	X

PART IS NO LONGER AVAILABLE

NS = NOT SHOWN

**CABINET ASSY - FRONT VIEW - DE0061 (SERIAL NO 14328524 AND AFTER)
 - EV0061 (SERIAL NO 14328524 AND AFTER)**



Art02307

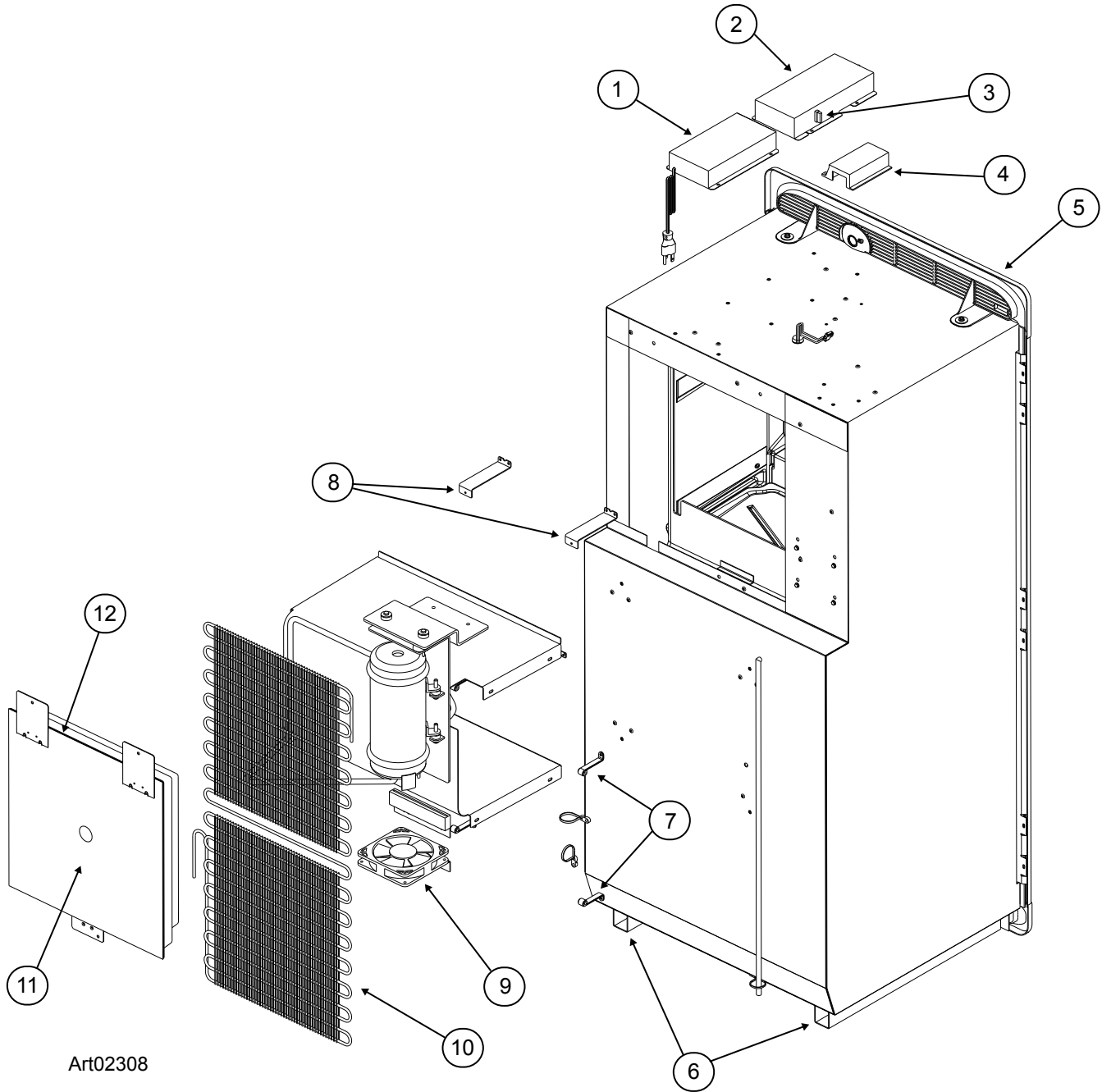
**CABINET ASSY - FRONT VIEW - DE0061 (SERIAL NO 14328524 AND AFTER)
- EV0061 (SERIAL NO 14328524 AND AFTER)**

NO.	PART #	DESCRIPTION	DE0061	EV0061
1	634785	GRILL TOP/VENTILATION	X	X
2	634786	TEMPERATURE CONTROLLER/SENSOR	X	X
3	61748722	KNOB-THERMOSTAT	X	X
4	623128	TRIM PIECE-SIDE/RH	X	X
5	624786	HINGE-CABINET/3 POINT/TOP LH/BTM RH/PANEL/BLACK	X	X
6	618144	HINGE BUSHING-DOOR HINGE/BLACK	X	X
7	618145	HINGE PIN-DOOR/PANEL DOORS/BLACK	X	X
8	61630422	ICE CUBE TRAY-PLASTIC	X	X
9	621557	STRIKE PLATE-BLACK	X	X
10	621534	DRIP TRAY-INSIDE/EVAPORATOR	X	X
11	621580	SHELF-WIRE/FULL (SN 19119378 AND BEFORE)	X	X
	632453	SHELF-WIRE/FULL (SN 19119379 AND AFTER)	X	X
12	623135	SHELF-WIRE/WITH CUTOUT (SN 19119378 AND BEFORE)	X	X
	632455	SHELF-WIRE/WITH CUTOUT (SN 19119379 AND AFTER)	X	X
13	617756	TRAY-SHELF/WHITE/CUT OUT	X	X
14	621691	CRISPER COVER-GLASS SHELF	X	X
15	621692	CRISPER-DV0061 SERIES	X	X
16	621573	GRILL ASSY-BOTTOM	X	X
17	624785	HINGE-CABINET/3 POINT/TOP RH/BTM LH/PANEL/BLACK	X	X
18	623133	CHANNEL-BOTTOM RAIL	X	X
19	621697	COVER-STRIKE PLATE/BLACK	X	X
20	621621	HINGE CAP-CENTERPOST/BLACK	X	X
21	621563	HINGE-CENTER	X	X
22	621620	HINGE CENTERPOST-STUD/CENTER HINGE	X	X
23	623129	TRIM PIECE-SIDE/LH	X	X
24	625488	DIVIDER ASSY-FOAMED	X	X
25	634824	COOLING UNIT-DE0061/EV0061	X	X
26	634802	INDICATOR LIGHT	X	X
27	634835	RELAY	X	X
NS	623121	CLAMP-SHELF RETAINING LOOP 3/8"	X	X
NS	61580322	RETAINER-GLASS SHELF (NOT SHOWN)	X	X
NS	61629722	LAMP BRACKET ASSY (USE 638292)	X	X
	638292	KIT SERVICE LAMP BRACKET REPLACEMENT	X	X
NS	632545	LAMP-DC LIGHT BULB	X	X
NS	621827	COVER-LAMP BRACKET	X	X
NS	623119	SWITCH-CABINET LIGHT	X	X

PART IS NO LONGER AVAILABLE

NS = NOT SHOWN

**CABINET ASSY - REAR VIEW - DE0061 (SERIAL NO 14328523 AND BEFORE)
- DE0061T
- EV0061**



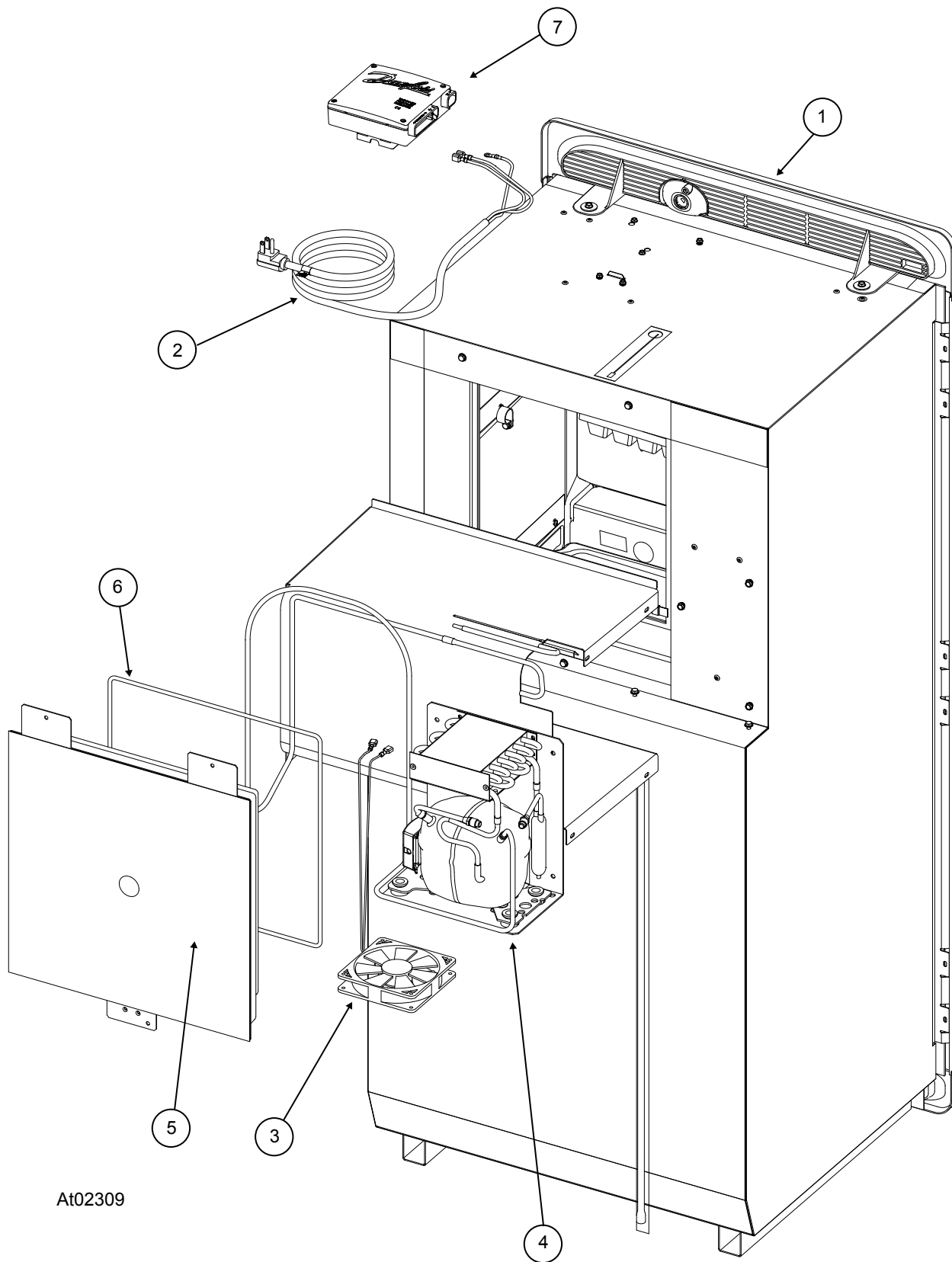
Art02308

CABINET ASSY - REAR VIEW - DE0061 (SERIAL NO 14328523 AND BEFORE)
- DE0061T
- EV0061

NO.	PART #	DESCRIPTION	DE0061	DE0061T	EV0061
1	169000600	POWER SUPPLY-AC (SP-298B)	X	X	
	169000610	POWER SUPPLY-AC (SP-298A)			X
2	163011300	POWER SUPPLY-DC/SP-297	X		X
	163011310	POWER SUPPLY-DC/SP-296		X	
3		FUSE-BLADE/15 AMP/DC POWER SUPPLY (AUTOMOTIVE SUPPLY)	X	X	X
4	169000700	CIRCUIT BOARD-LIGHT CONTROL	X	X	X
5	621634	GRILL-TOP/VENTILATION	X	X	X
6	623133	CHANNEL-BOTTOM RAIL	X	X	X
7	320101300	HOLDER-CONDENSER	X	X	X
8	322249400	HOLDER-CONDENSER/UPPER	X	X	X
9	160929310	FAN ONLY-50 CYCLE/LARGE	X	X	X
10	161013500	COOLING UNIT-DE0061/EV0061	X		X
11	621529	FOAM PLUG PANEL ASSY-EVAPORATOR ACCESS	X	X	X
12	621570	GASKET-EVAPORATOR PLUG	X	X	X
NS	192116604	CORD WITH TERMINAL-GROUND CORD	X	X	X
NS	190264700	COUPLER ASSY-COOLING UNIT TO EXTENSION	X	X	X
NS	605505440	THERMISTER-EVAPORATOR	X	X	X
NS	190282010	COUPLER ASSY-DC INPUT CORD	X	X	X
NS		FUSE-GLASS/15 AMP/DC CORD (AUTOMOTIVE SUPPLY)	X	X	X
NS	601064730	COUPLER ASSY-DC POWER SUPPLY TO CORD/COOLING UNIT	X	X	X
NS	601064800	COUPLER ASSY-DC POWER SUPPLY TO FAN	X	X	X
NS	601064600	COUPLER ASSY-DC POWER SUPPLY TO THERMISTER	X	X	X

NS - NOT SHOWN

**CABINET ASSY - REAR VIEW - DE0061 (SERIAL NO 14328524 AND AFTER)
- EV0061 (SERIAL NO 14328524 AND AFTER)**



At02309

**CABINET ASSY - REAR VIEW - DE0061 (SERIAL NO 14328524 AND AFTER)
- EV0061 (SERIAL NO 14328524 AND AFTER)**

NO.	PART #	DESCRIPTION	DE0061	EV0061
1	634785	GRILL TOP/VENTILATION	X	X
2	634825	POWER SUPPLY CORD, US	X	
	634826	POWER SUPPLY CORD, EUROPE		X
	634827	POWER SUPPLY CORD, AUSTRALIA		
3	634664	FAN SYSTEM-12VDC	X	X
4	634824	COOLING UNIT-DE0061/EV0062	X	X
5	621529	FOAM PLUG PANEL ASSY-EVAPORATOR ACCESS	X	X
6	621570	GASKET-EVAPORATOR PLUG	X	X
7	634836	POWER MODULE	X	X
	638396	POWER MODULE (US SN 14328524 AND ABOVE)	X	X
NS	634919	CABLE-REMOTE MODULE TO COMPRESSOR	X	X
NS	634880	WIRE-MODULE TO RELAY	X	X
NS	634874	POWER CORD-DC	X	X
NS	634821	REMOTE MODULE BASE/COVER KIT	X	X

NS - NOT SHOWN

 NO LONGER AVAILABLE