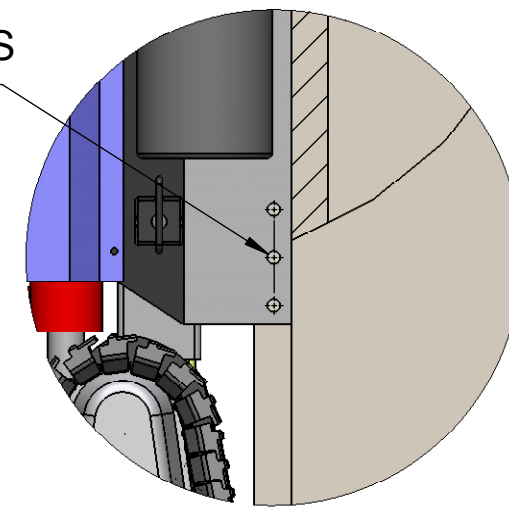
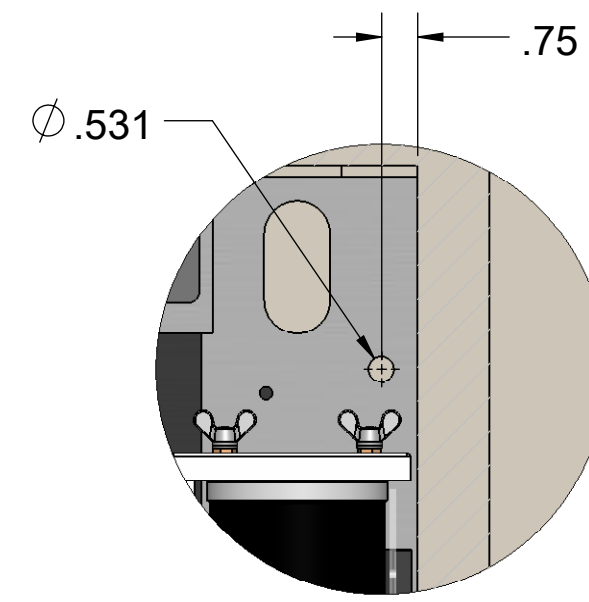


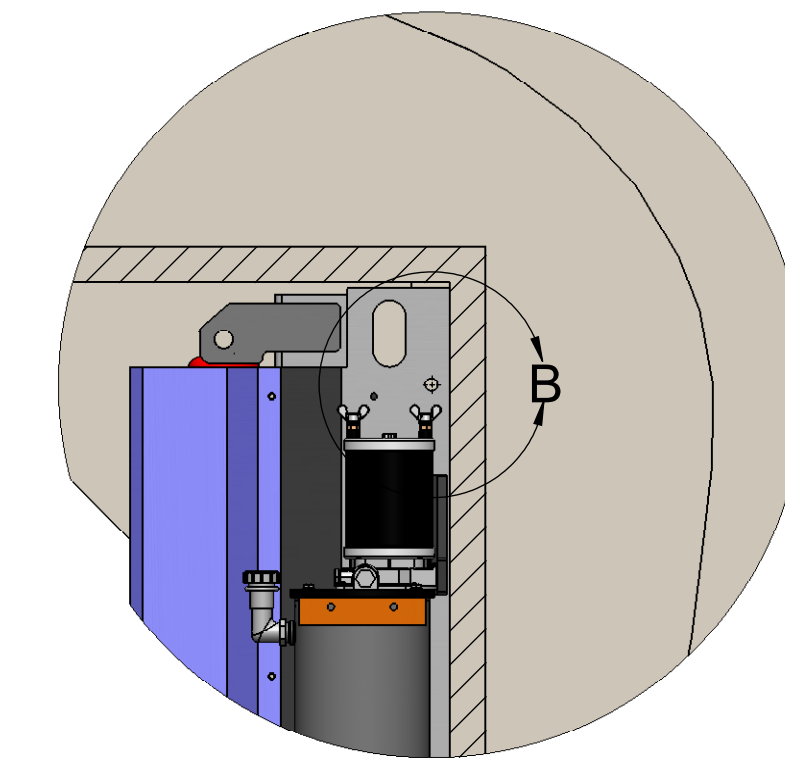
DRILL REMAINING 3 HOLES  
Ø .531 IN EACH SIDE



DETAIL C  
SCALE 1 : 8



DETAIL B  
SCALE 1 : 4



DETAIL A  
SCALE 1 : 8

PROPRIETARY AND CONFIDENTIAL  
THE INFORMATION CONTAINED IN THIS  
DRAWING IS THE SOLE PROPERTY OF  
INTERNATIONAL CONSORTIUM. ANY  
REPRODUCTION IN PART OR AS A WHOLE  
WITHOUT THE WRITTEN PERMISSION OF  
INTERNATIONAL CONSORTIUM, INC. IS  
PROHIBITED.

UNLESS OTHERWISE SPECIFIED:		NAME	DATE
DIMENSIONS ARE IN INCHES TOLERANCES:		DRAWN	
X.X	±0.100	CHECKED	
X.XX	±0.050	ENG APPR	
X.XXX	±0.010	MFG APPR	
ANGULAR	±1.0°	Q.A.	
INTERPRET GEOMETRIC TOLERANCING PER:	COMMENTS:		
MATERIAL			
FINISH			
NEXT ASSY	USED ON		
APPLICATION			

<b>International</b> CONSORTIUM		300 Freehill Road Hendersonville, TN 37075	
TITLE:			
SIZE DWG. NO.	REV		
<b>D Idrive&amp;Trailer</b>			
SCALE: 1:32	WEIGHT:	SHEET 1 OF 1	