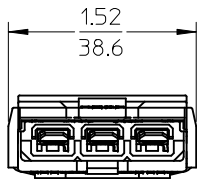
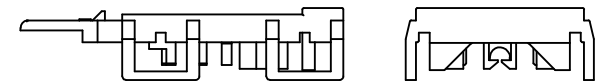
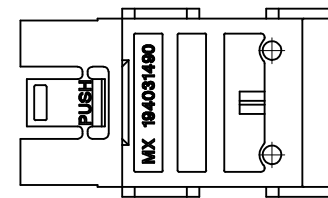
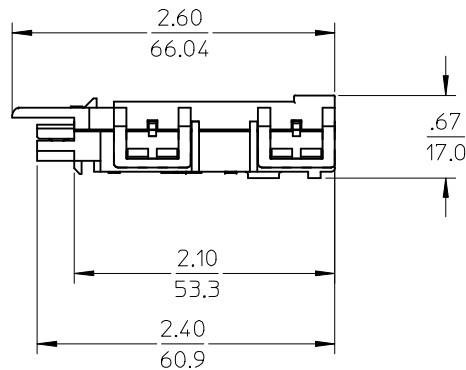


HOUSING ASSEMBLY MATERIAL NUMBER 194031330 (A2)



ASSEMBLED VIEWS



COVER MATERIAL NUMBER 194031490

- NOTES:
- (A2) 1. CONNECTOR DESIGNED FOR USE WITH:  
COLEMAN CABLE E54864-H SEOPRENE 105 14AWG  
3/C SE00W(UL)600V -50°C TO 105°C, Ø.503(12.78)  
CSA LL39753-H ST00W(TPE).
  - 2. ASSEMBLY IS PACKAGED PER PK-19403-147.
  - 3. REF: UL FILE NO. E182087,  
CSA FILE NO. LR18689.

EC NO: ETC2005-0190 DRWN: DMYRICK 2005/04/25 CHKD: RDEROSS 2005/04/26 APPR: RDEROSS 2005/04/26	QUALITY SYMBOLS ▽ -0 ▽ -0	GENERAL TOLERANCES (UNLESS SPECIFIED)		SCALE 1:1	DESIGN UNITS INCH	THIRD ANGLE PROJECTION	REVISE ON CAD ONLY	
		mm	INCH	DIMENSION STYLE IN/MM				
		4 PLACES ± --- ± ---	3 PLACES ± --- ± .005	DRAWN BY B.RUPERT	DATE 02/12/02	CUSTOMER DRAWING SC POWER CONNECTOR ASSY 14AWG ROUND CABLE		
		2 PLACES ± 0.13 ± .010	1 PLACE ± 0.25 ± ---	CHECKED BY J.PAWLIC	DATE 02/15/02			
ANGULAR ±1/2°		APPROVED BY R.DERROSS	DATE 02/18/02	MATERIAL NO. 194030011	DOCUMENT NO. SD-19403-147	SHEET NO. 1 OF 1		
DRAFT WHERE APPLICABLE MUST REMAIN WITHIN DIMENSIONS		THIS DRAWING CONTAINS INFORMATION THAT IS PROPRIETARY TO MOLEX INCORPORATED AND SHOULD NOT BE USED WITHOUT WRITTEN PERMISSION						