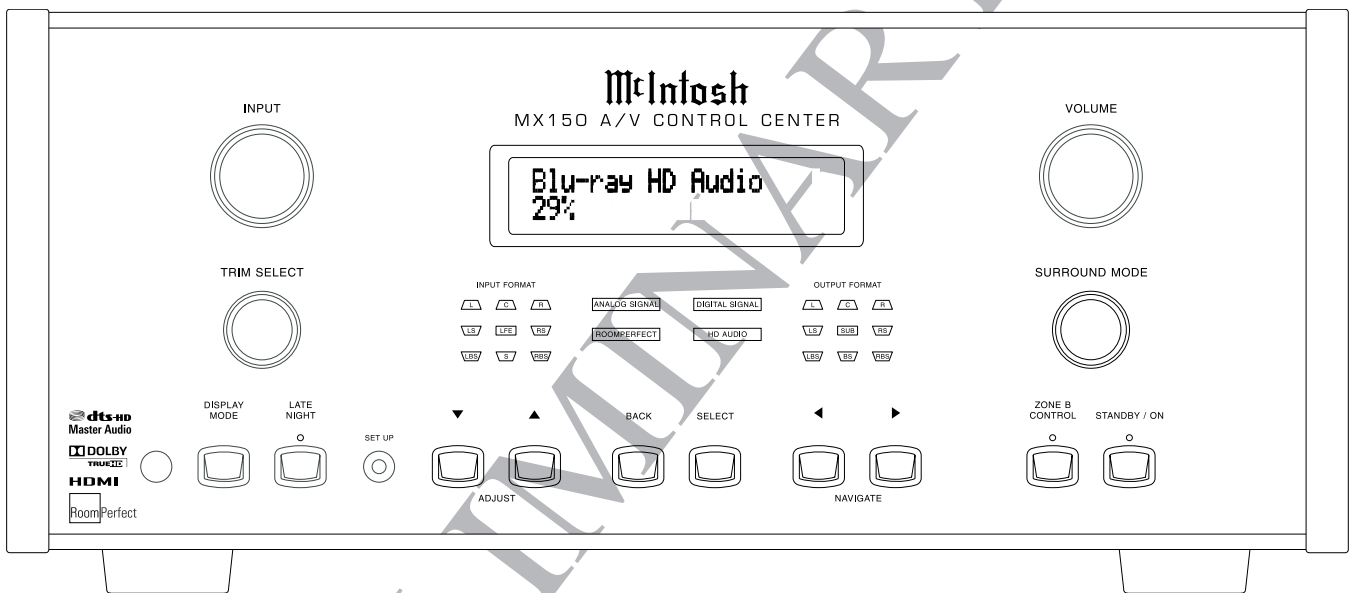




MX150

A/V CONTROL CENTER

SERIAL NO. ZJ1001 And Above



CONTENTS

Performance Specifications.....	2	Pushbutton Schematic and PCB.....	27 - 30
Notes.....	2	Balanced Schematic and PCB.....	31 - 34
Rear Panel.....	3	Preamp Schematic and PCB.....	35 - 38
Section Location.....	4	Capacitor Schematic and PCB.....	39 - 42
Block Diagram.....	5 - 6	Heatsink Schematic and PCB.....	43 - 46
Interconnection Diagram.....	7 - 8	Meter Light Schematic and PCB.....	47 - 48
Front Schematic and PCB.....	9 - 10	Parts List.....	49 - 56
Main Schematic and PCB.....	11 - 22	Repacking Instruction.....	57
Display Schematic and PCB.....	23 - 26		

SERVICE MANUAL

PERFORMANCE SPECIFICATIONS

Specifications

Power Output

250 watts is the minimum sine wave continuous average power output per channel, both channels operating

Output Load Impedance

2, 4 or 8 ohms

Rated Power Band

20Hz to 20,000Hz

Total Harmonic Distortion

0.005% maximum with both channels operating from 250 milliwatts to rated power, 20Hz to 20,000Hz

Dynamic Headroom

2.0dB

Frequency Response

+0, -0.5dB from 20Hz to 20,000Hz
+0, -3dB from 10Hz to 100,000Hz

Preamplifier Main Output (for rated input)

2.5V unbalanced (8V Maximum)
5.0V balanced (16V Maximum)

Sensitivity (for rated output)

High Level, 250mV unbalanced, 500mV balanced
Phono, 1.2 mV
Power Amp In, 2.5V

Signal To Noise Ratio (A-Weighted)

High Level, 100dB below rated output
Phono, 84dB below 5mV input
Power Amplifier, 115 below rated output

Intermodulation Distortion

0.005% maximum, if the instantaneous peak power is 500 watts or less per channel with both channels operating for any combination of frequencies from 20Hz to 20,000Hz

Wide Band Damping Factor

Greater than 40

Input Impedance

High Level, 20K ohms
Phono, 47K ohms; 65pF
Power Amp In, 10K ohms

Maximum Input Signal

High Level, 8V unbalanced, 16V balanced
Phono, 45mV
Power Amplifier In, 16V

Main Output Impedance

50 ohms

Power Guard

Less than 2% THD with up to 16dB overdrive at 1,000Hz

Voltage Gain

High Level to Rec Output: 0dB
High Level to Main Output: 20dB
Phono to Rec Output: 46dB
Phono to Main Output: 66dB
Power Amplifier: 25dB

Equalizer Controls

Variable 12dB boost to 12dB cut at 30Hz, 150Hz, 500Hz, 1500Hz and 10,000Hz

Power Requirements

100 Volts, 50/60Hz at 8.0 amps
110 Volts, 50/60Hz at 7.2 amps
120 Volts, 50/60Hz at 6.6 amps
220 Volts, 50/60Hz at 3.3 amps
230 Volts, 50/60Hz at 3.3 amps
240 Volts, 50/60Hz at 3.3 amps
Standby: Less than 1 watt

Note: Refer to the rear panel of the MA7000 for the correct voltage.

Overall Dimensions

Width is 17-1/2 inches (44.45cm)
Height is 9-7/16 inches (23.97cm) including feet
Depth is 22 inches (55.88cm) including the Front Panel, Knobs and Cables


Weight

97.5 pounds (44.3 kg) net, 130.5 pounds (59.2 kg) in shipping carton

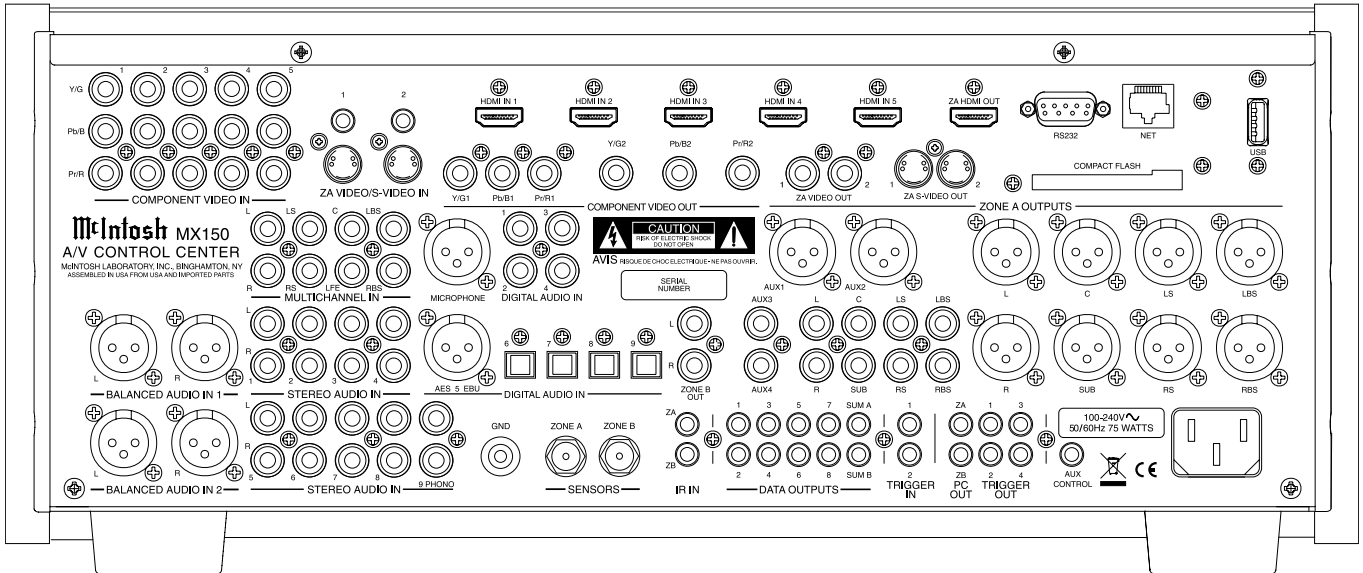
Shipping Carton Dimensions

Width is 29-1/2 inches (74.93cm)
Depth is 29 inches (73.66cm)
Height is 17 inches (43.18cm)

NOTES

1. Unless otherwise noted, all voltages indicated on the schematics are measured under the following conditions:
 - a. AC input at rated voltage marked on rear panel.
 - b. All voltages are +/-10% with respect to ground. A high impedance (10 megaohm) voltmeter must be used.
2. Unless otherwise specified:
 - a. Resistor values are in ohms.
 - b. Capacitor values are microfarads (uF).
 - c. Inductor values are in microhenries (uH)
3. On PC board drawings, Square pad indicates:
 - a. Polarized Capacitors - Positive
 - b. Diodes - Cathode
 - c. Others - Pin 1
4. **WARNING**
Parts marked with the symbol  have critical characteristics. Use only replacement parts recommended by the manufacturer.
5. Use McIntosh Remote Control Model HR063.

REAR PANEL

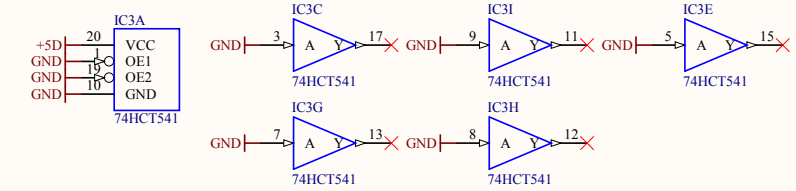
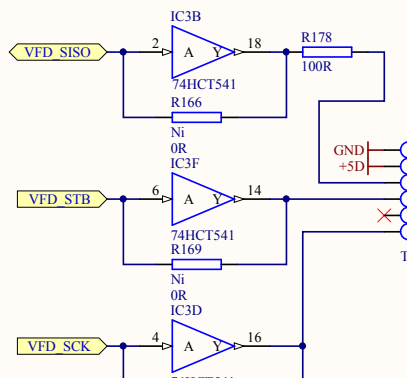
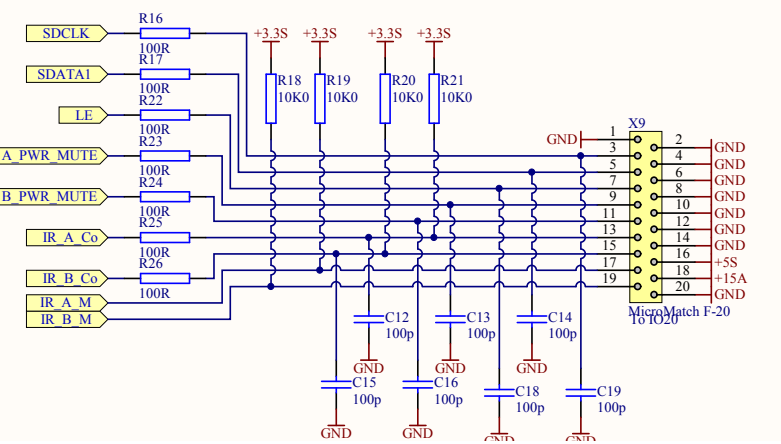
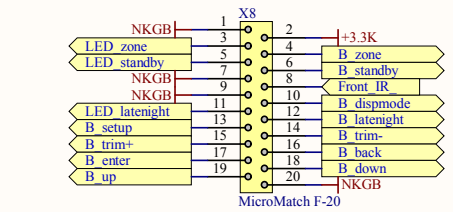
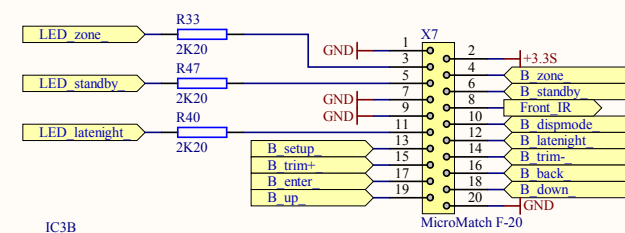
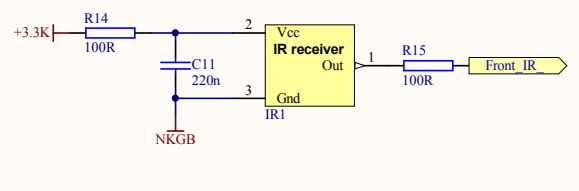
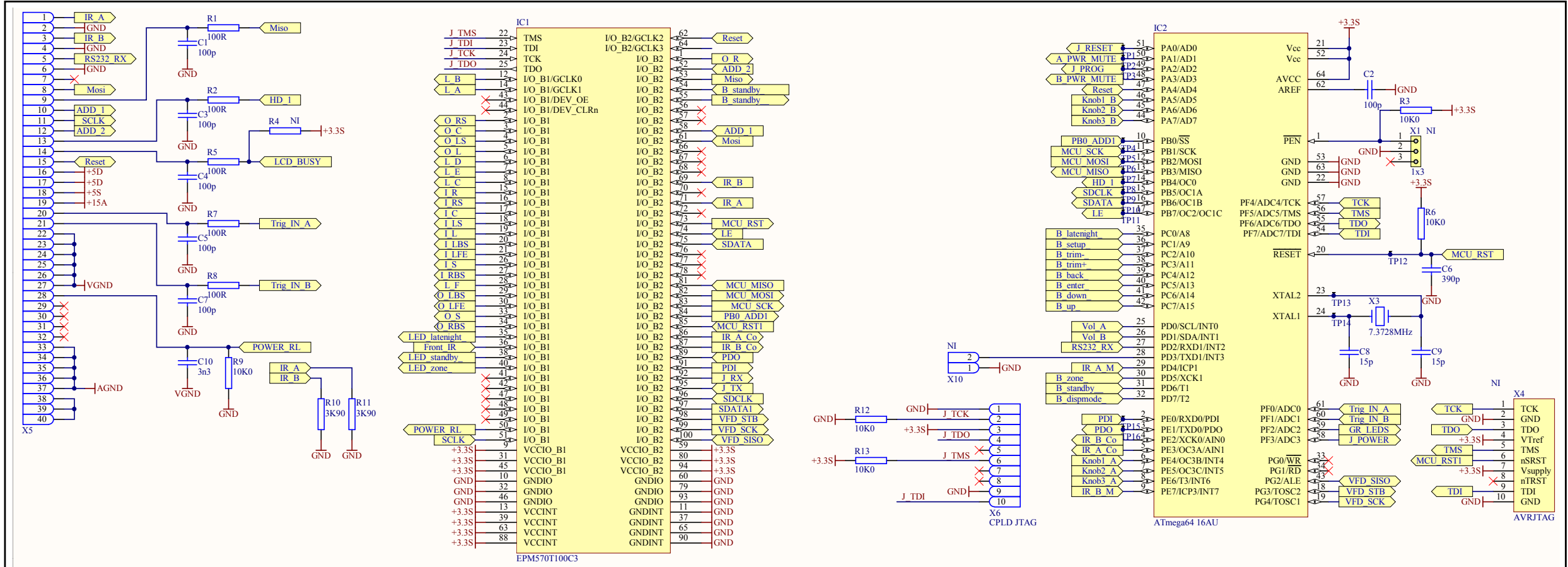


SECTION LOCATIONS

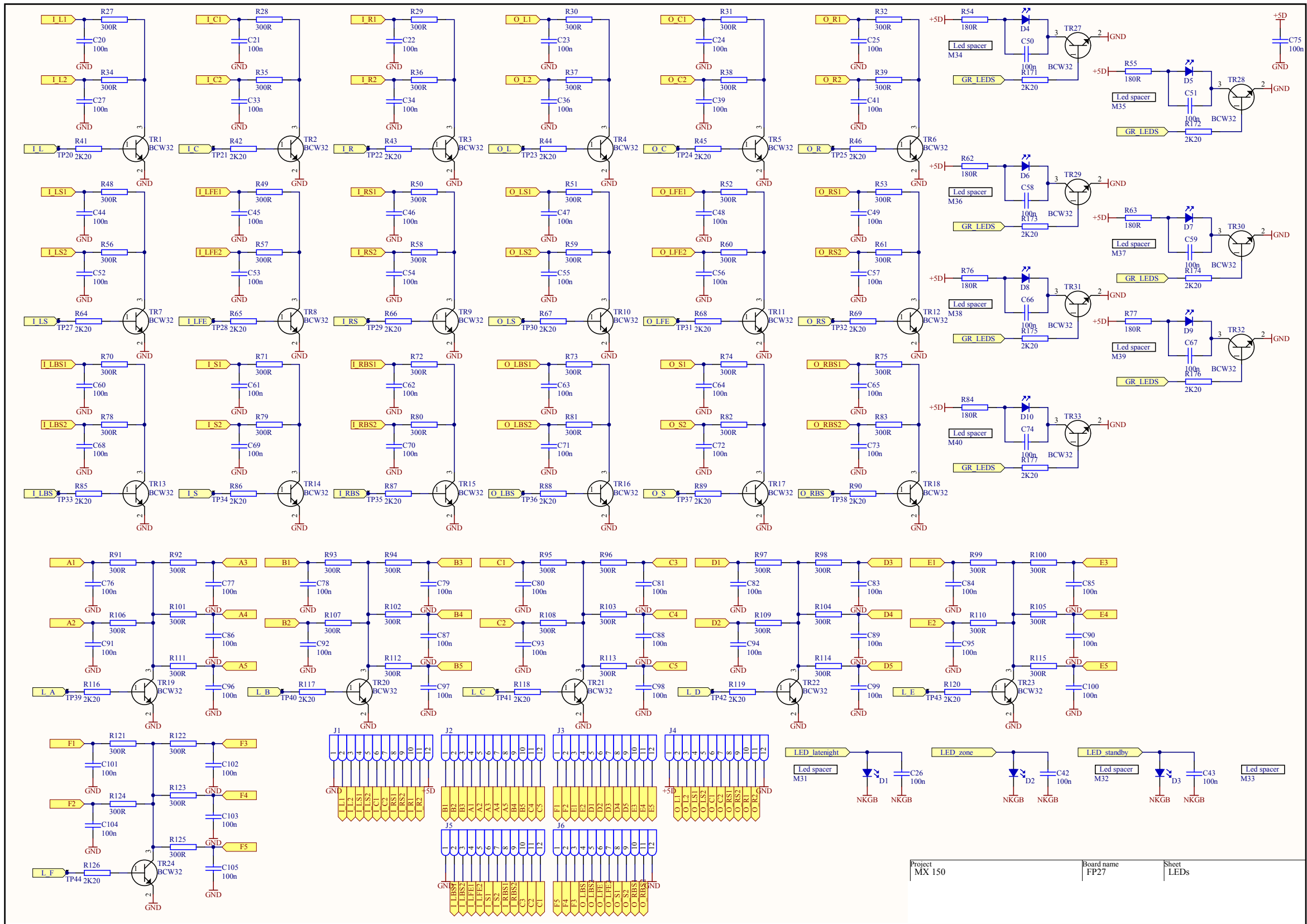
BLOCK DIAGRAM

1 *INTERCONNECT*

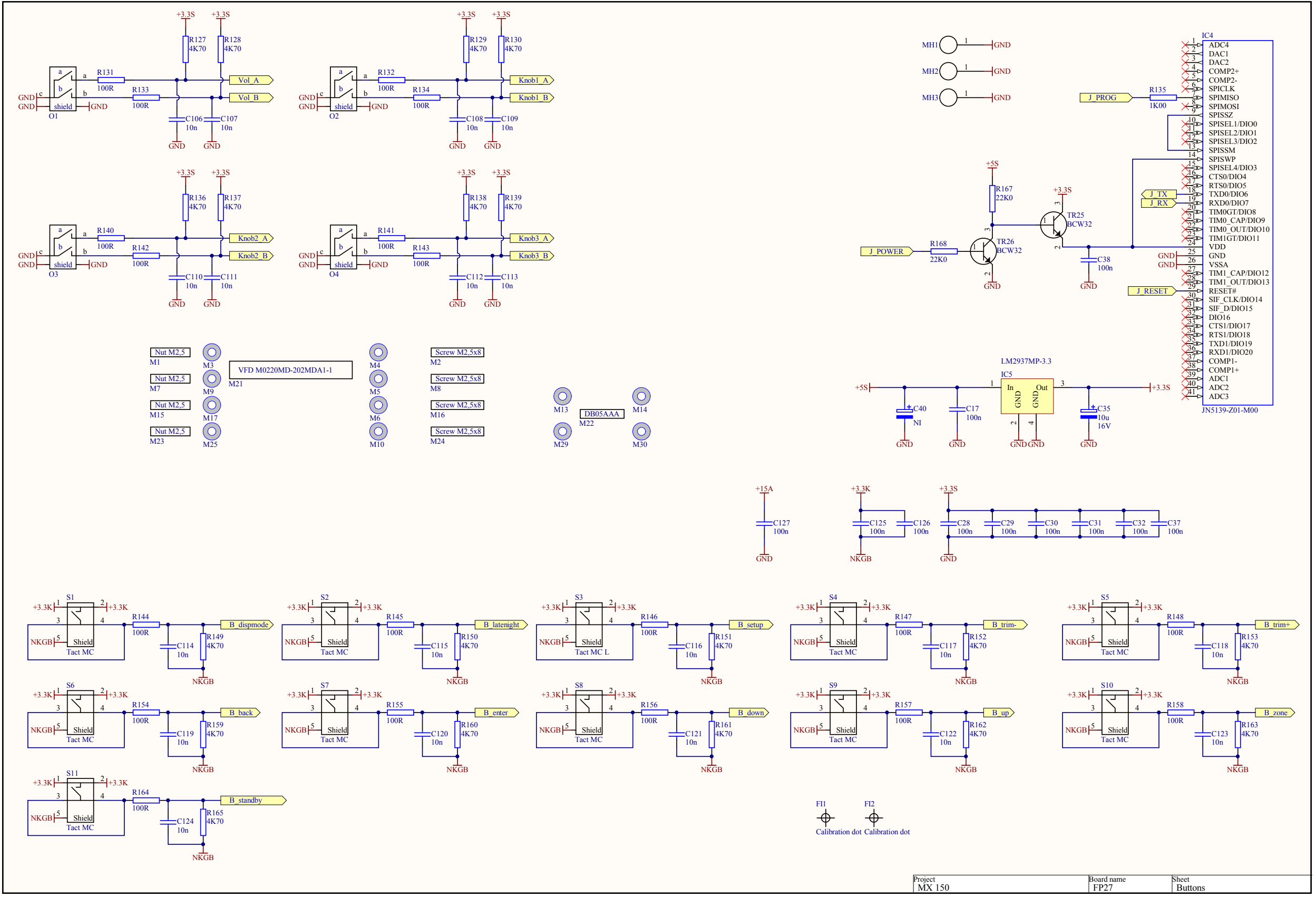
2 FRONT 320348 SCH 1 OF 3

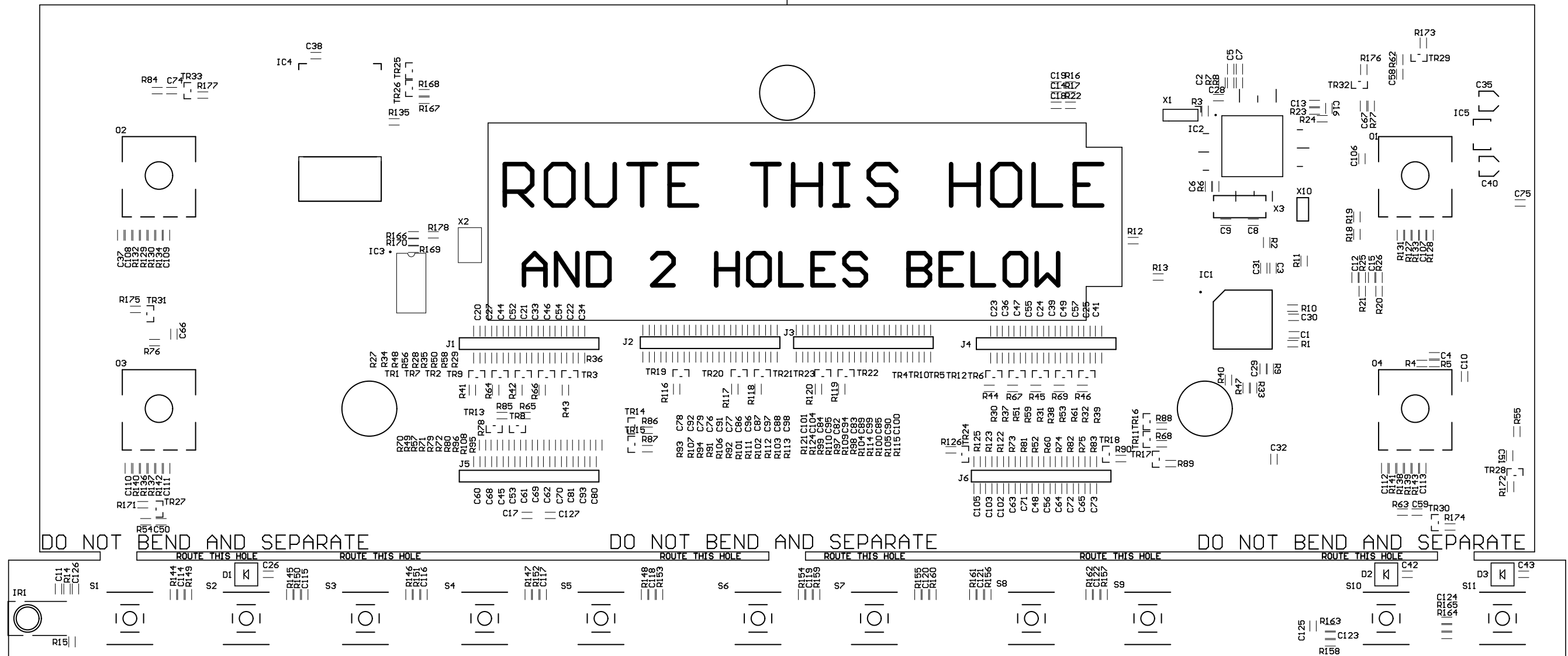


2 FRONT 320348 SCH 2 OF 3

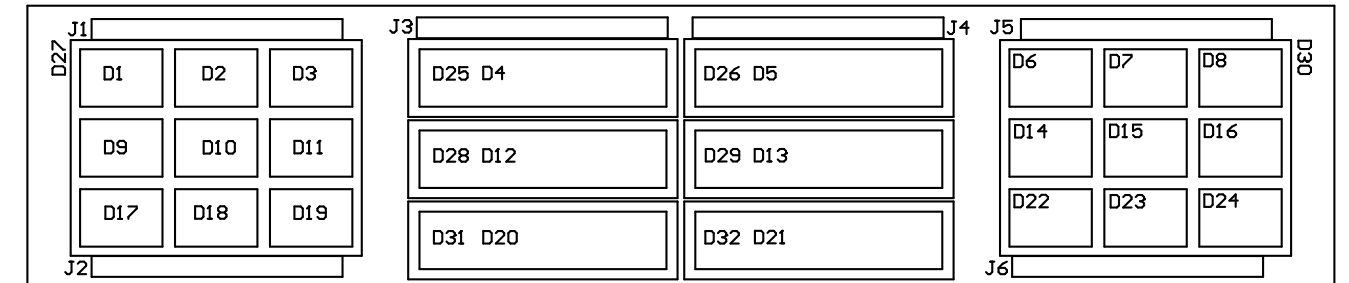
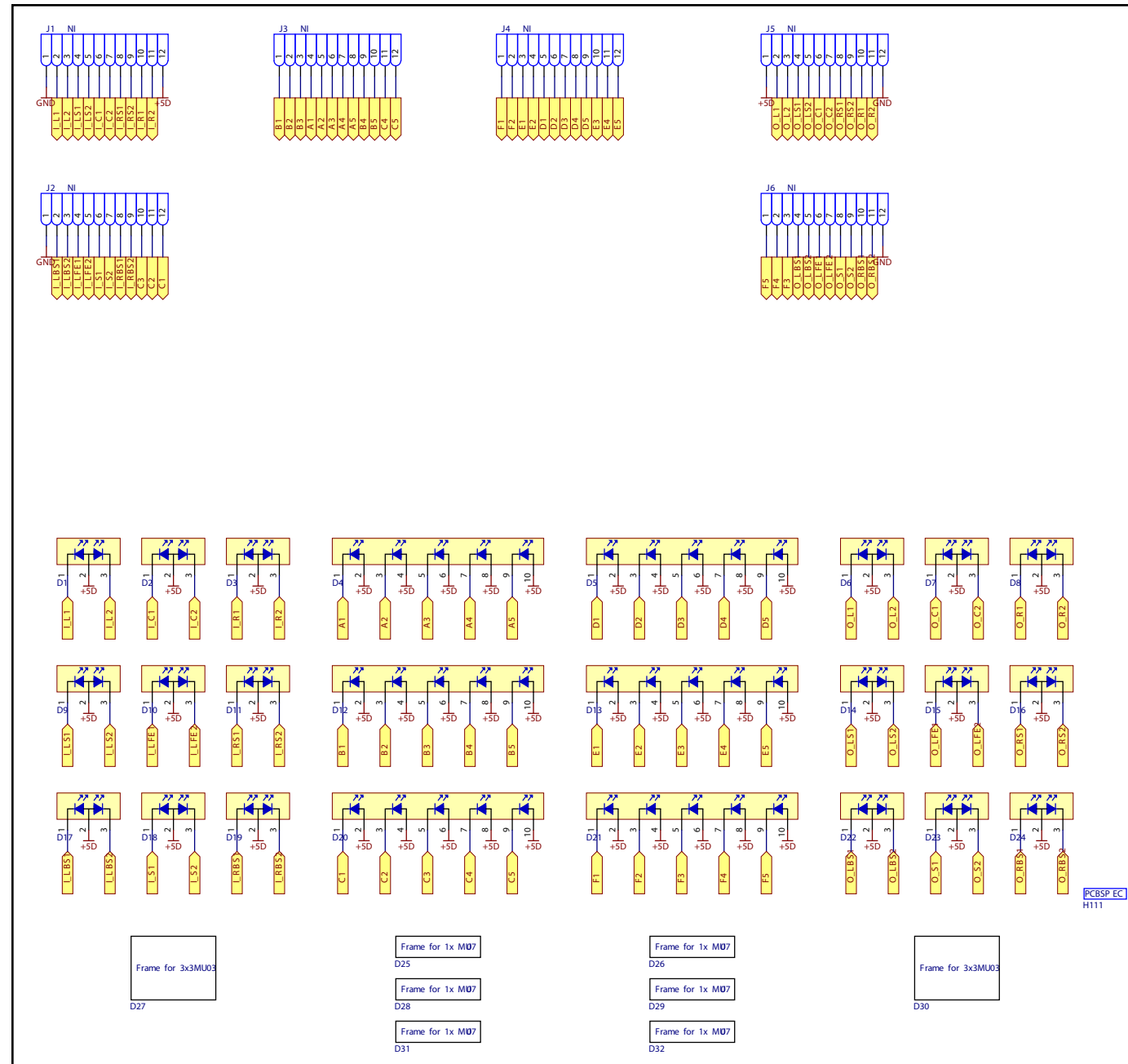


2 FRONT 320348 SCH 3 OF 3

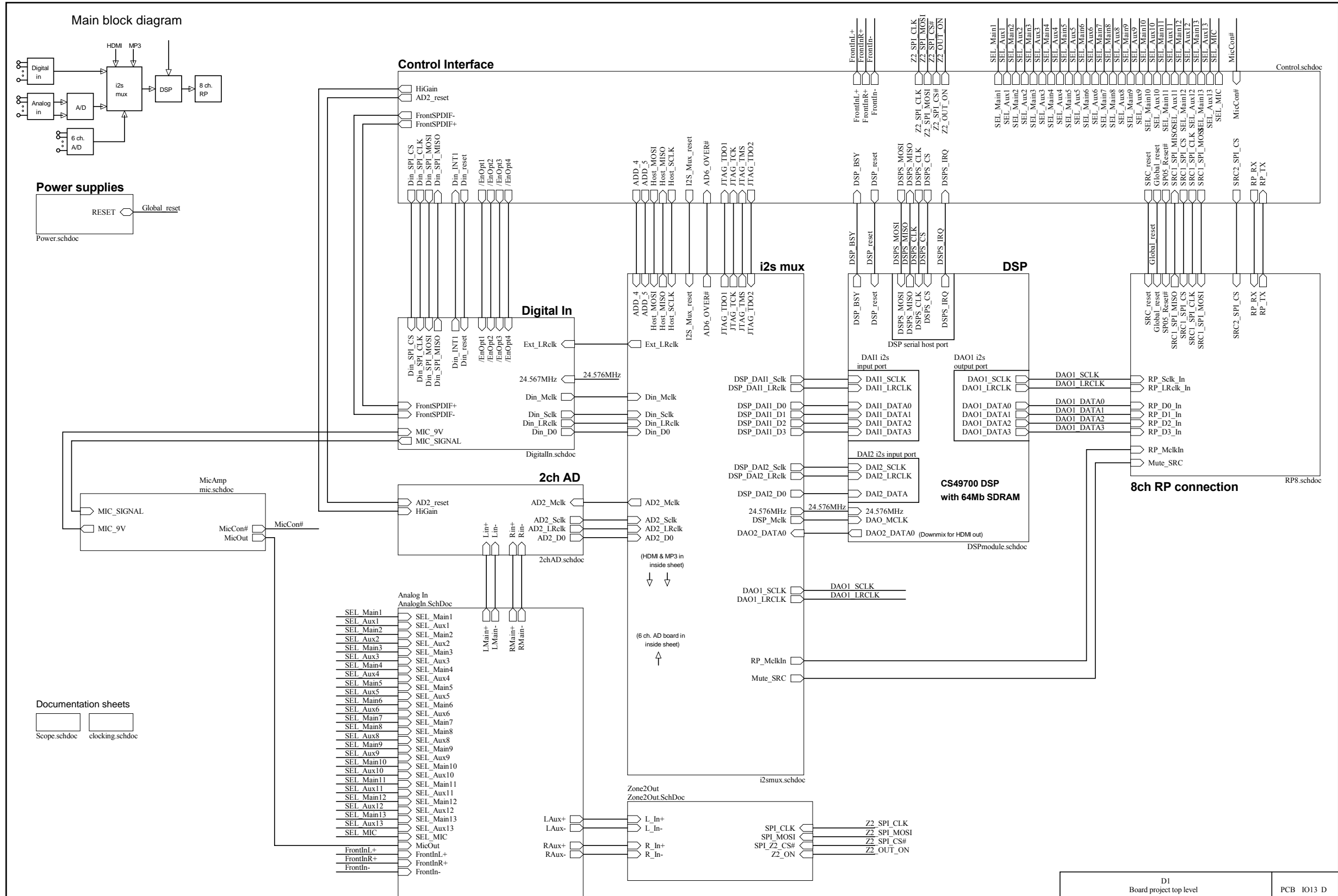


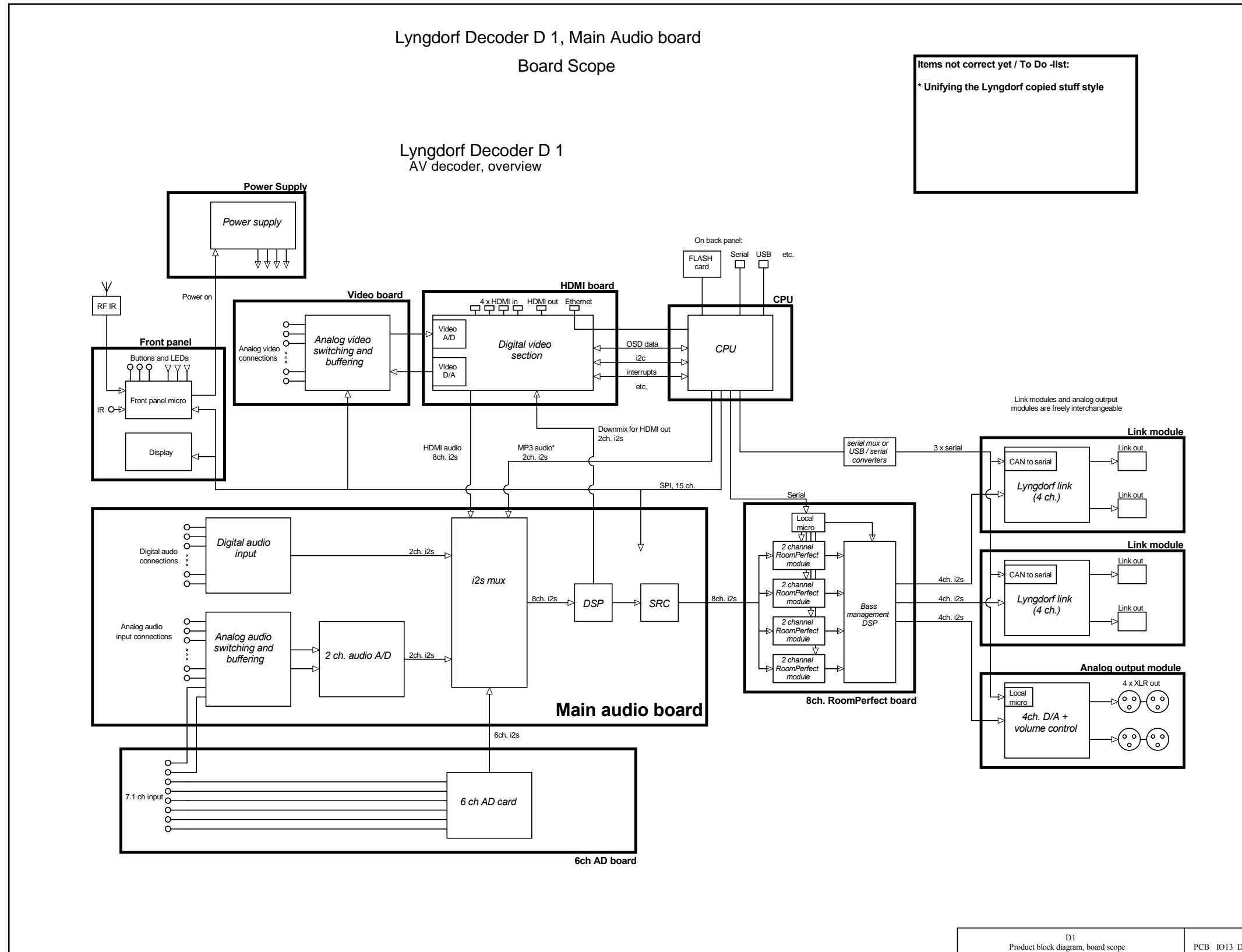


3 LED 320346 SCH and PCB

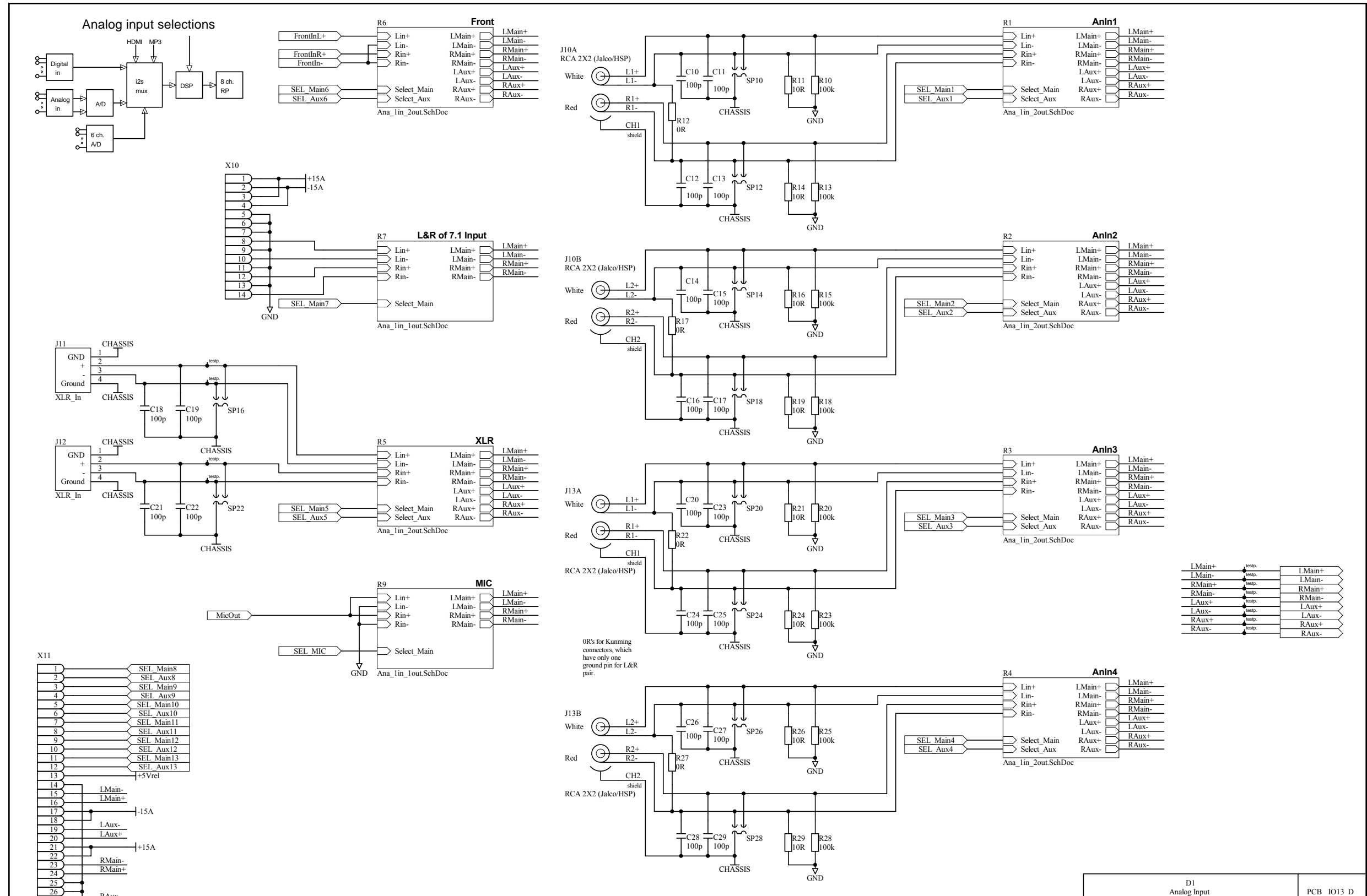


4 INPUT 320349 SCH 1 of 19

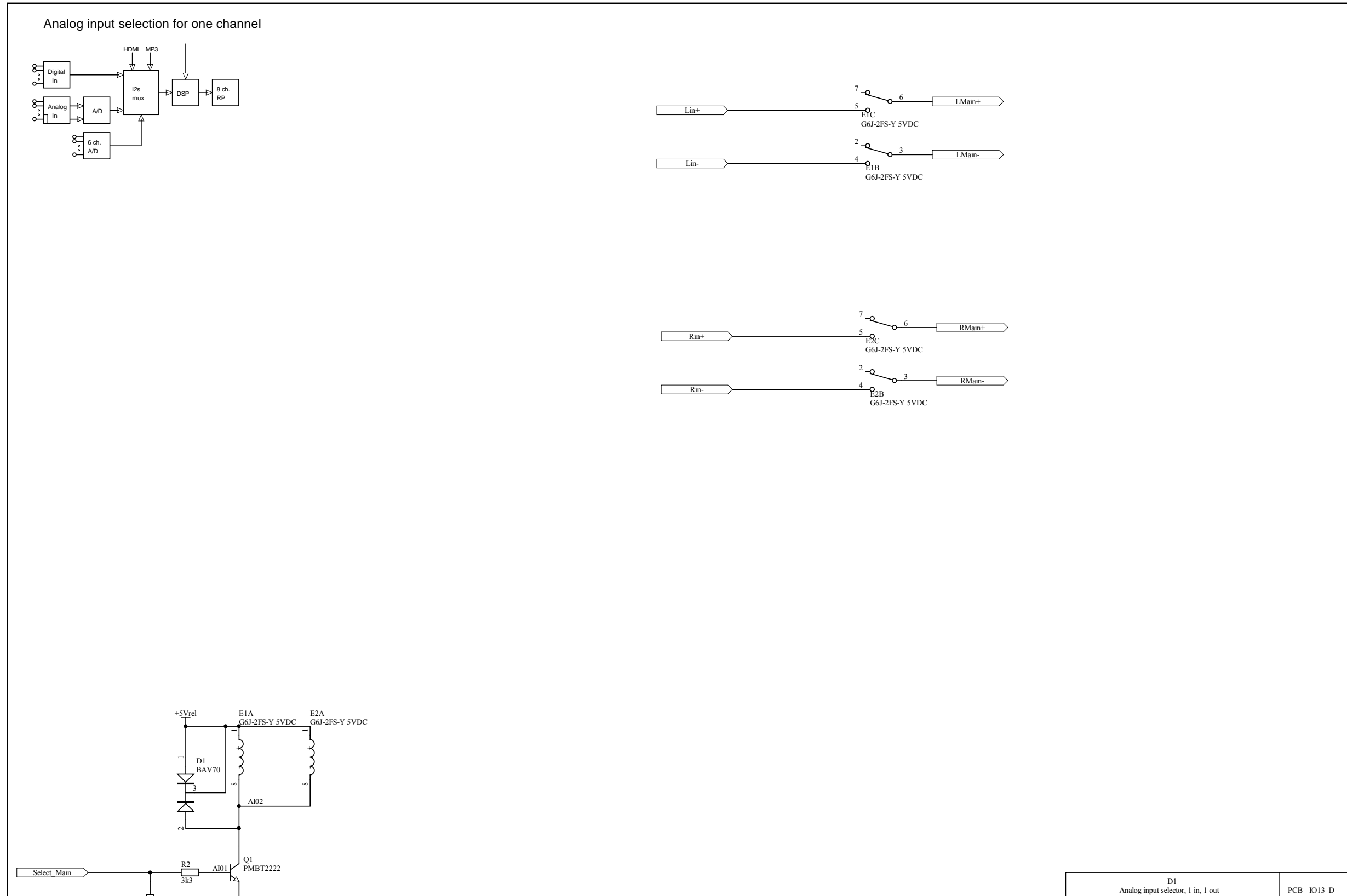




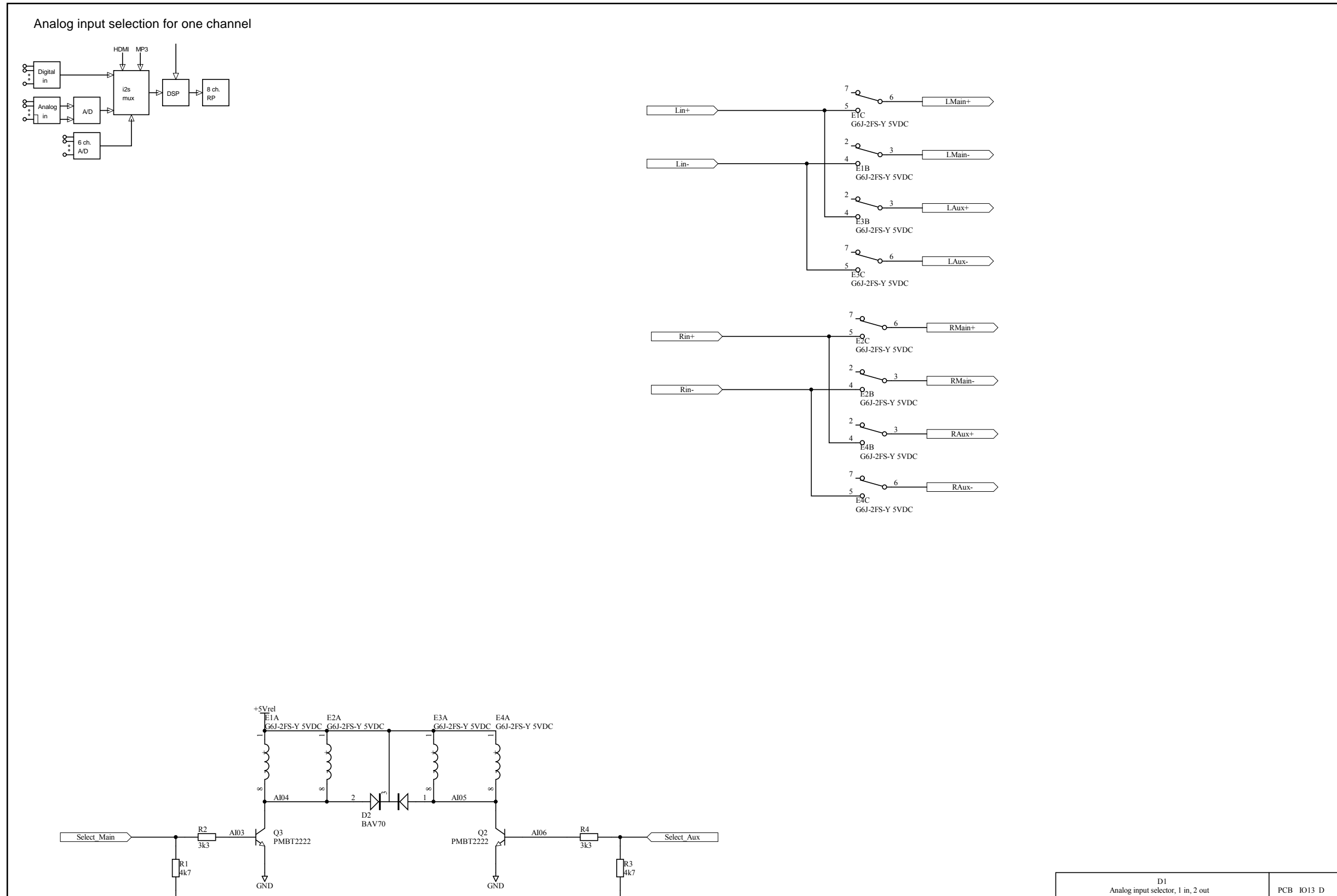
4 INPUT 320349 SCH 3 of 19



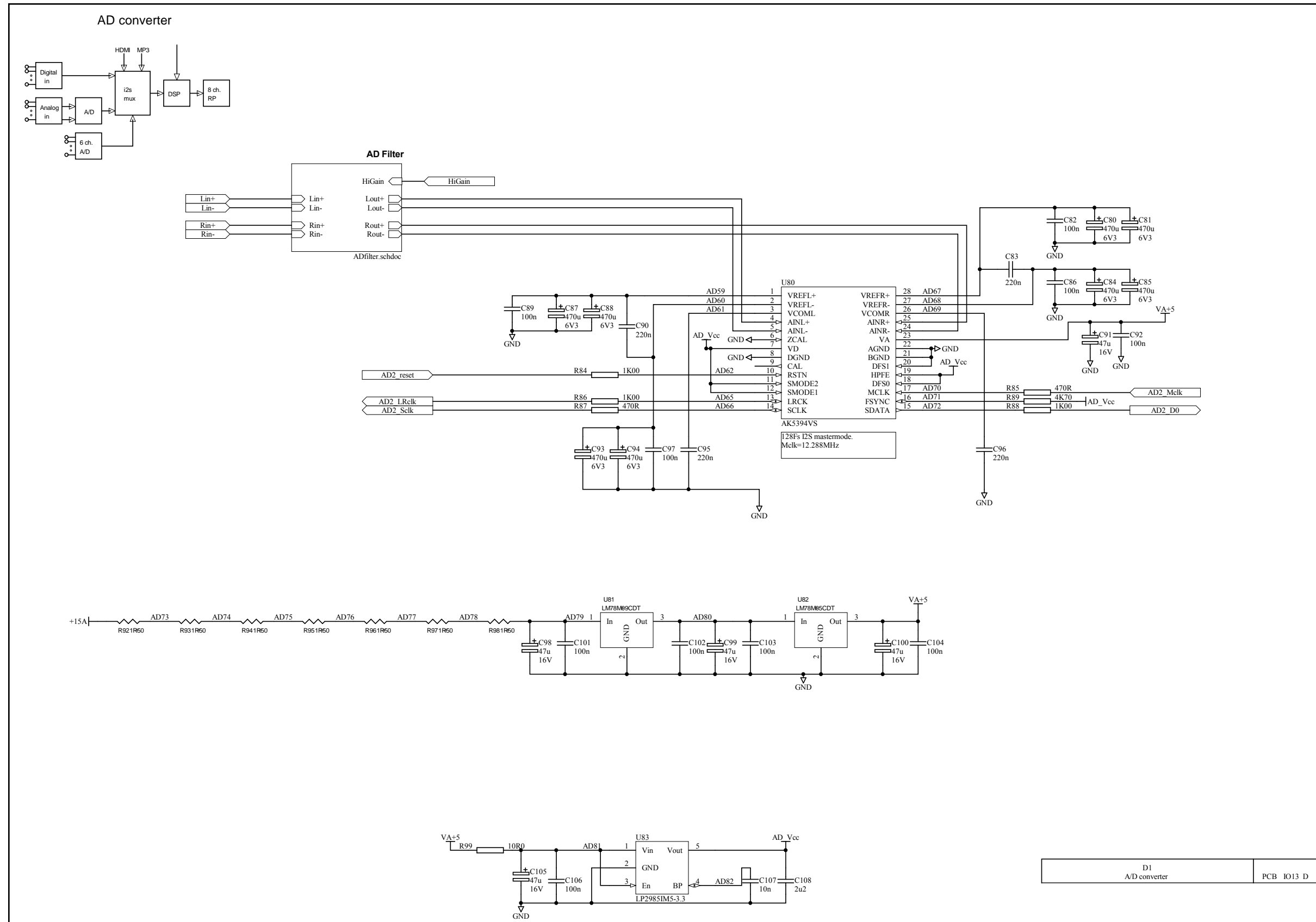
4 INPUT 320349 SCH 4 of 19



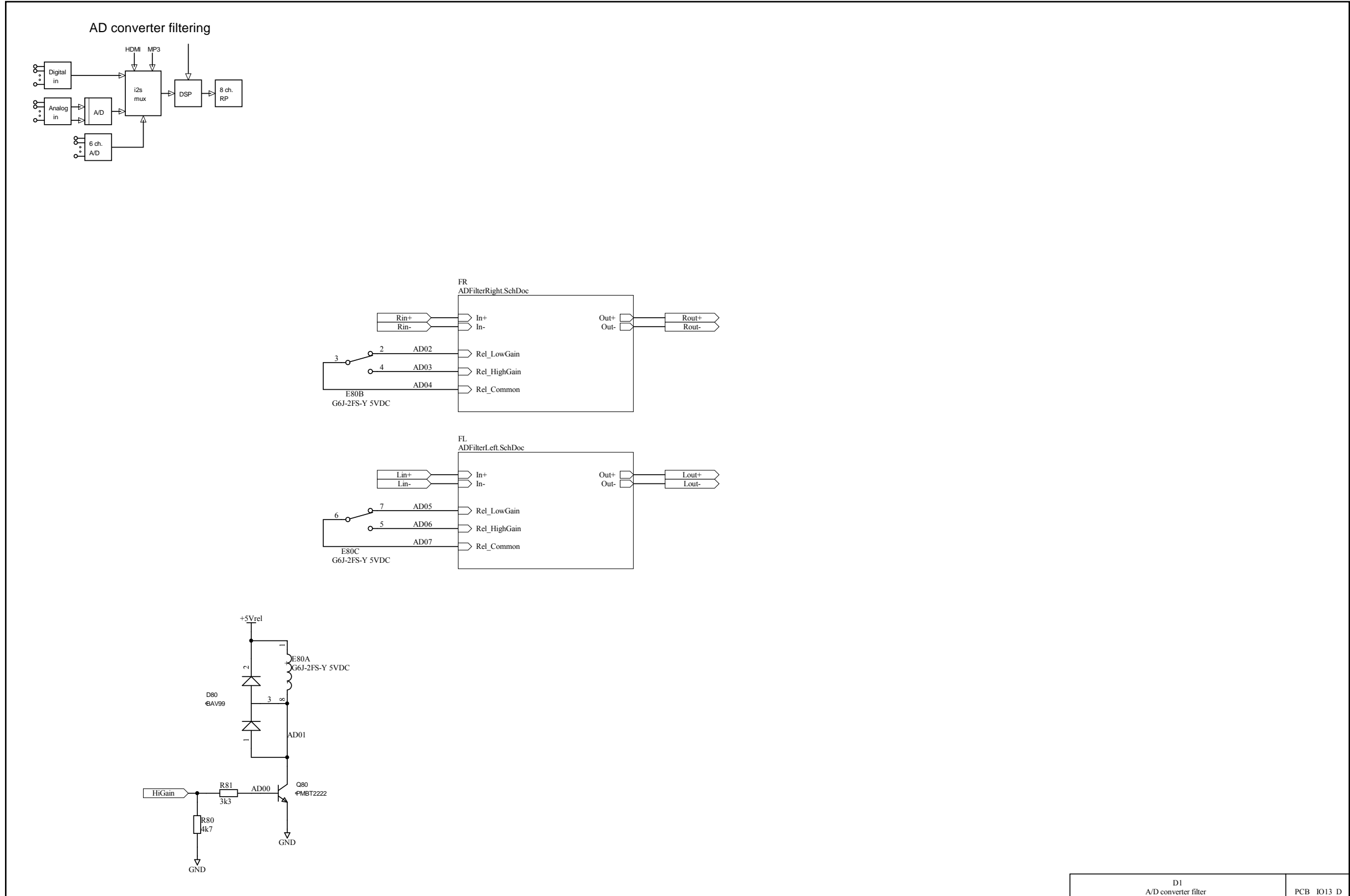
4 INPUT 320349 SCH 5 of 19



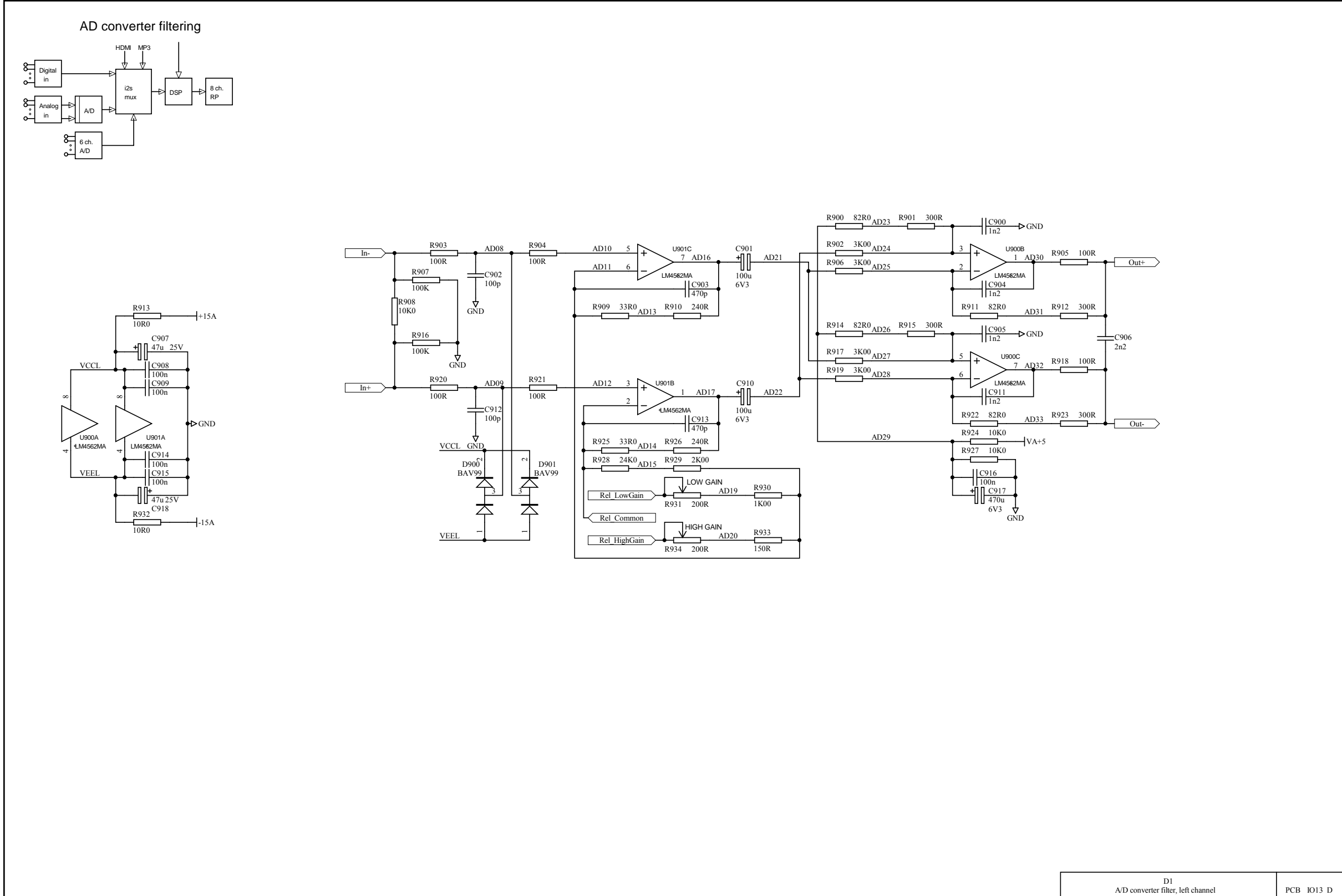
4 INPUT 320349 SCH 6 of 19



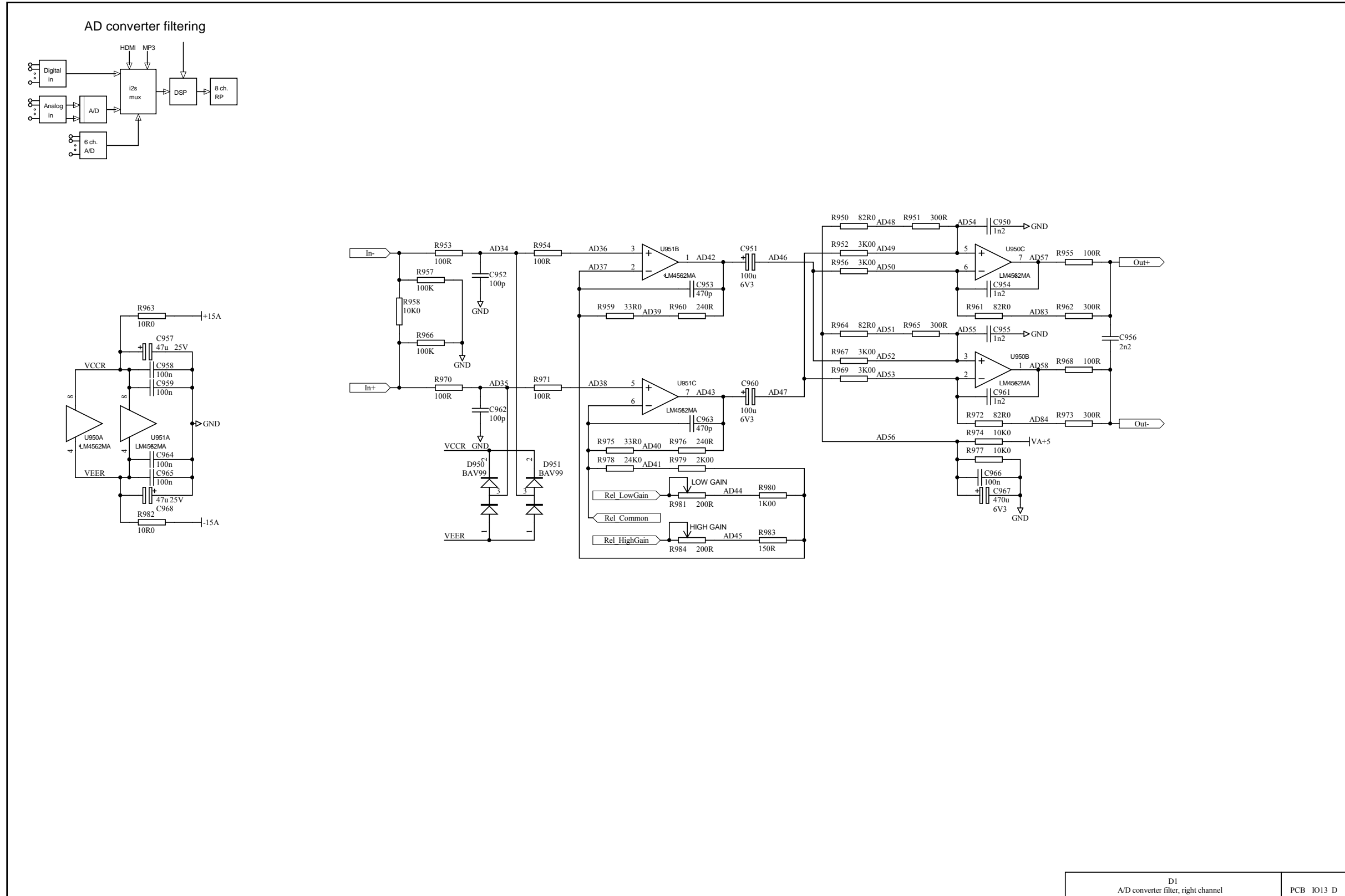
4 INPUT 320349 SCH 7 of 19



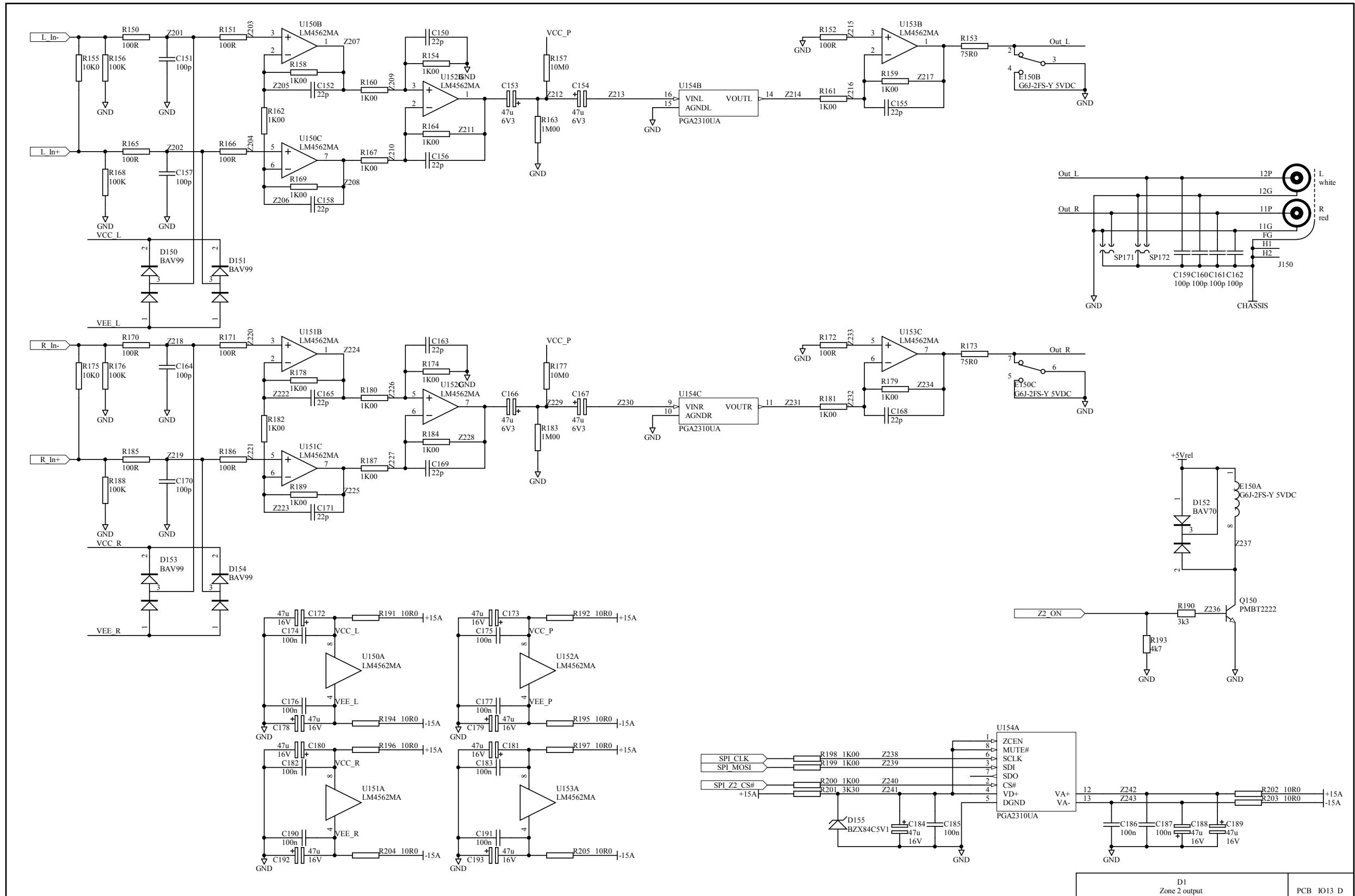
4 INPUT 320349 SCH 8 of 19



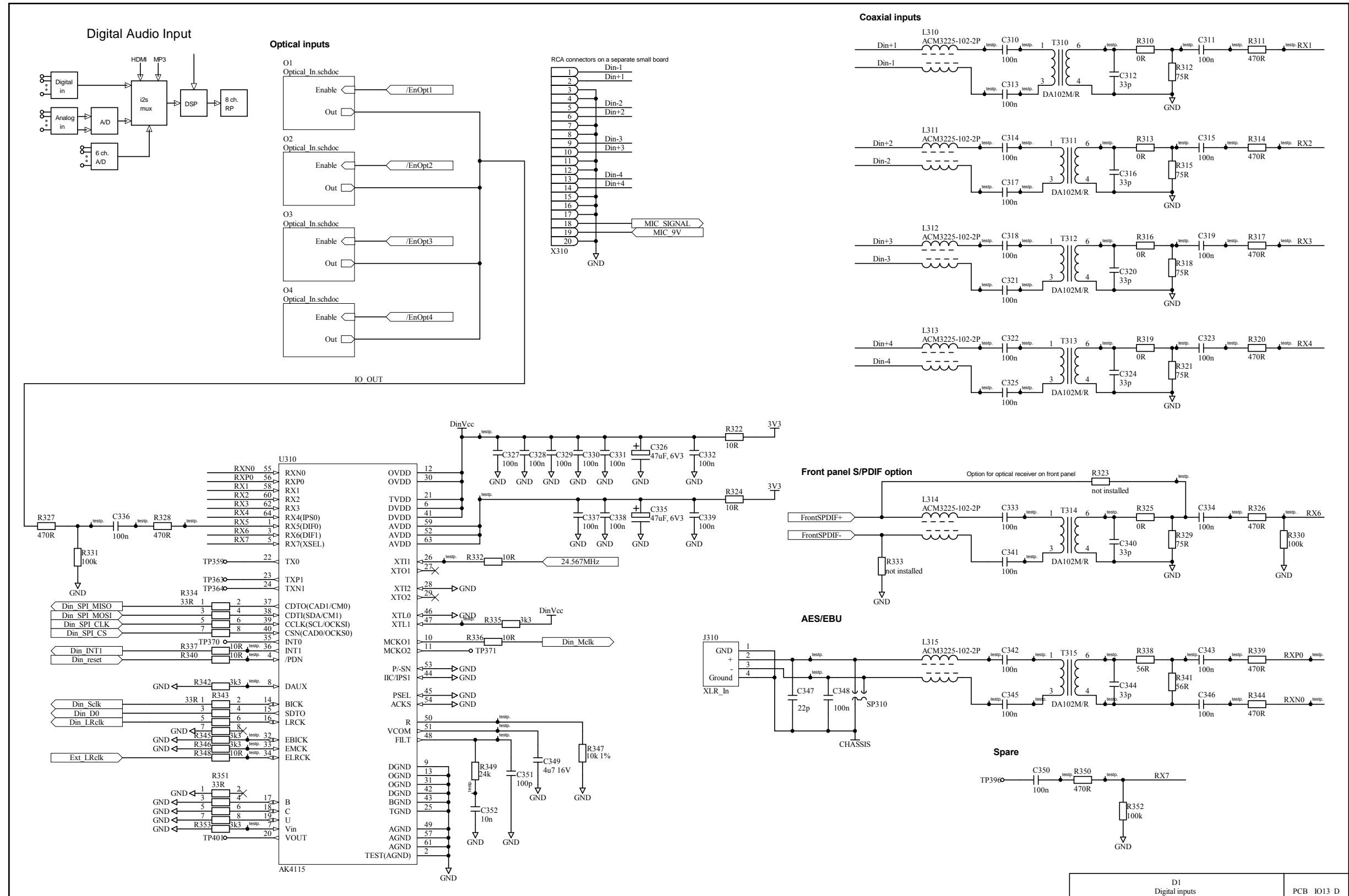
D1
A/D converter filter, left channel
PCB IO13 D



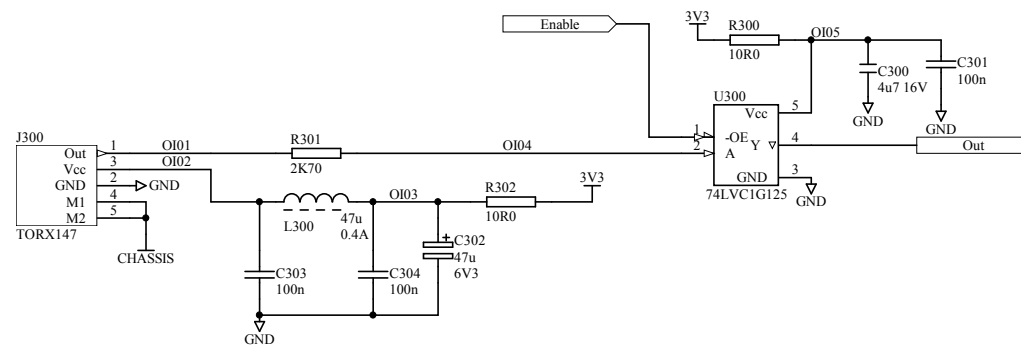
4 INPUT 320349 SCH 10 of 19



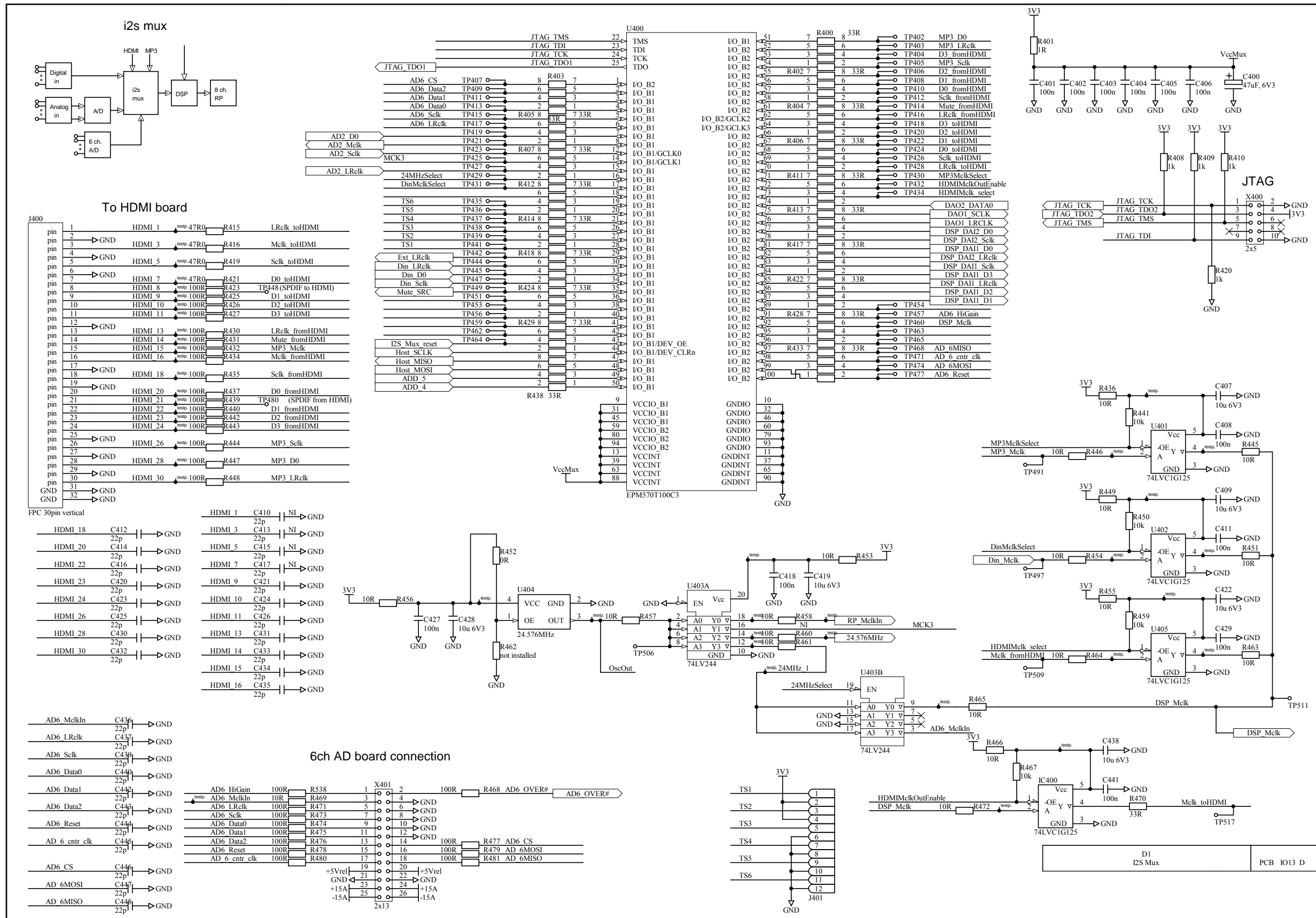
4 INPUT 320349 SCH 11 of 19



4 INPUT 320349 SCH 12 of 19



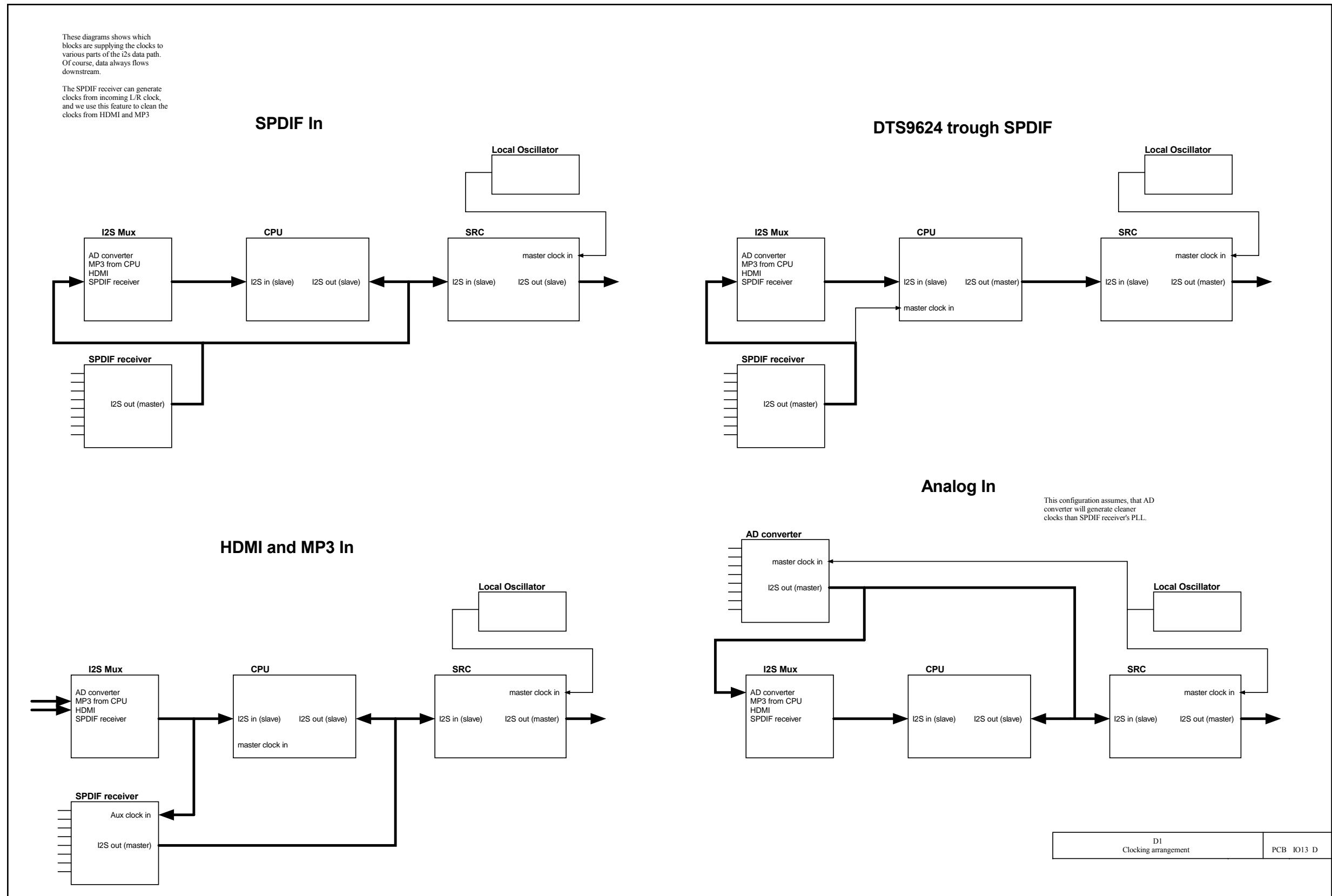
4 INPUT 320349 SCH 13 of 19



4 INPUT 320349 SCH 14 of 19

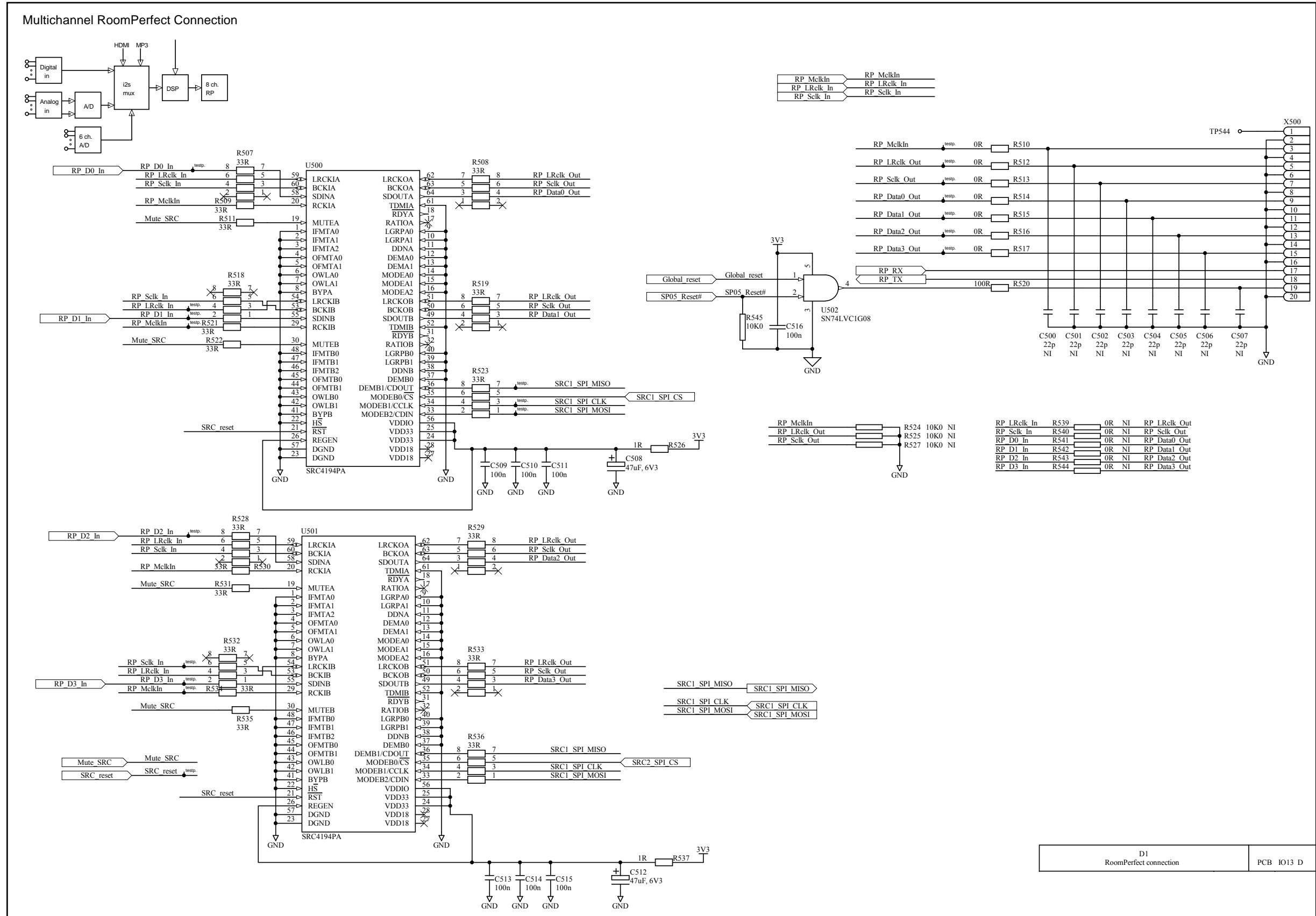
These diagrams shows which blocks are supplying the clocks to various parts of the I2S data path. Of course, data always flows downstream.

The SPDIF receiver can generate clocks from incoming L/R clock, and we use this feature to clean the clocks from HDMI and MP3

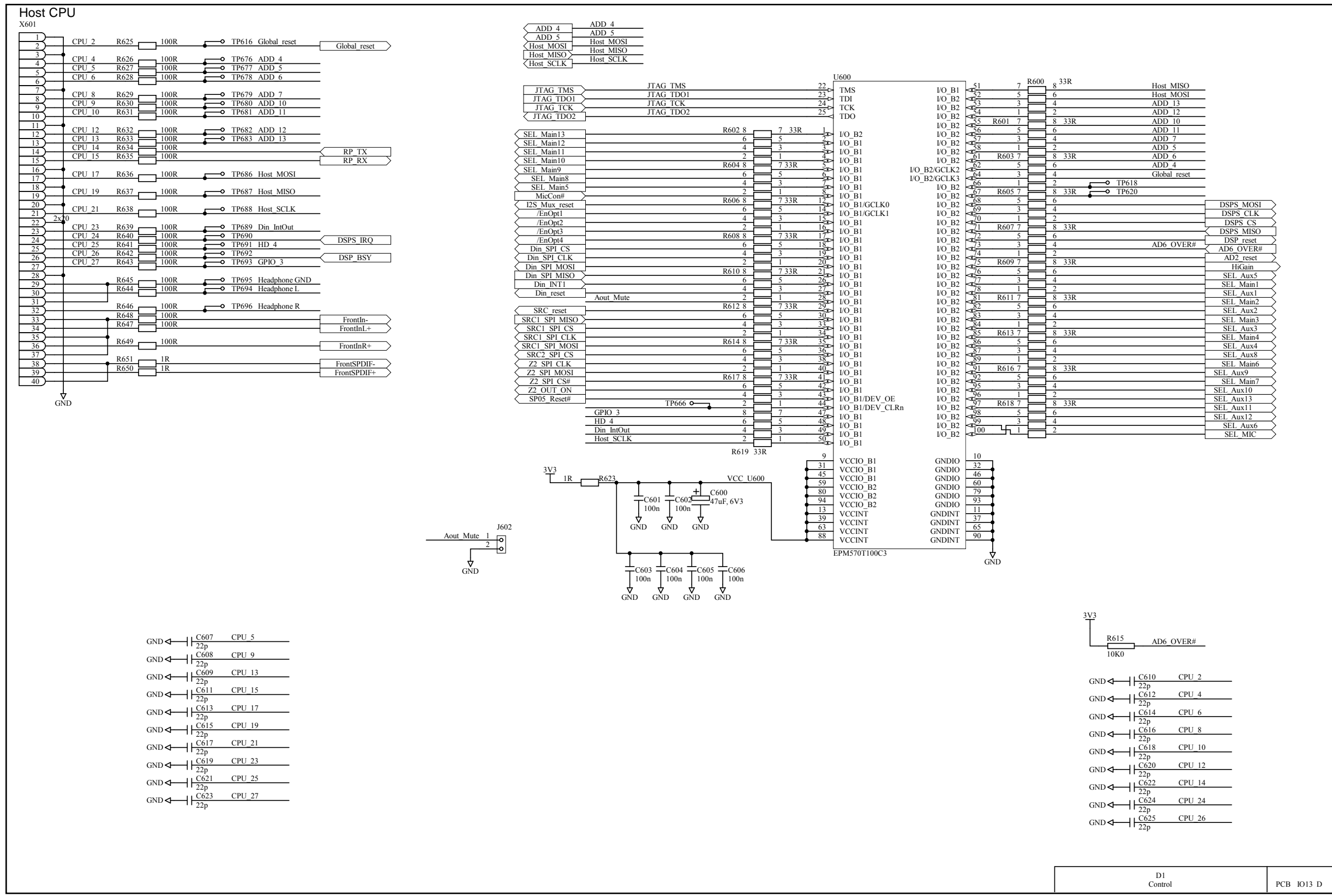


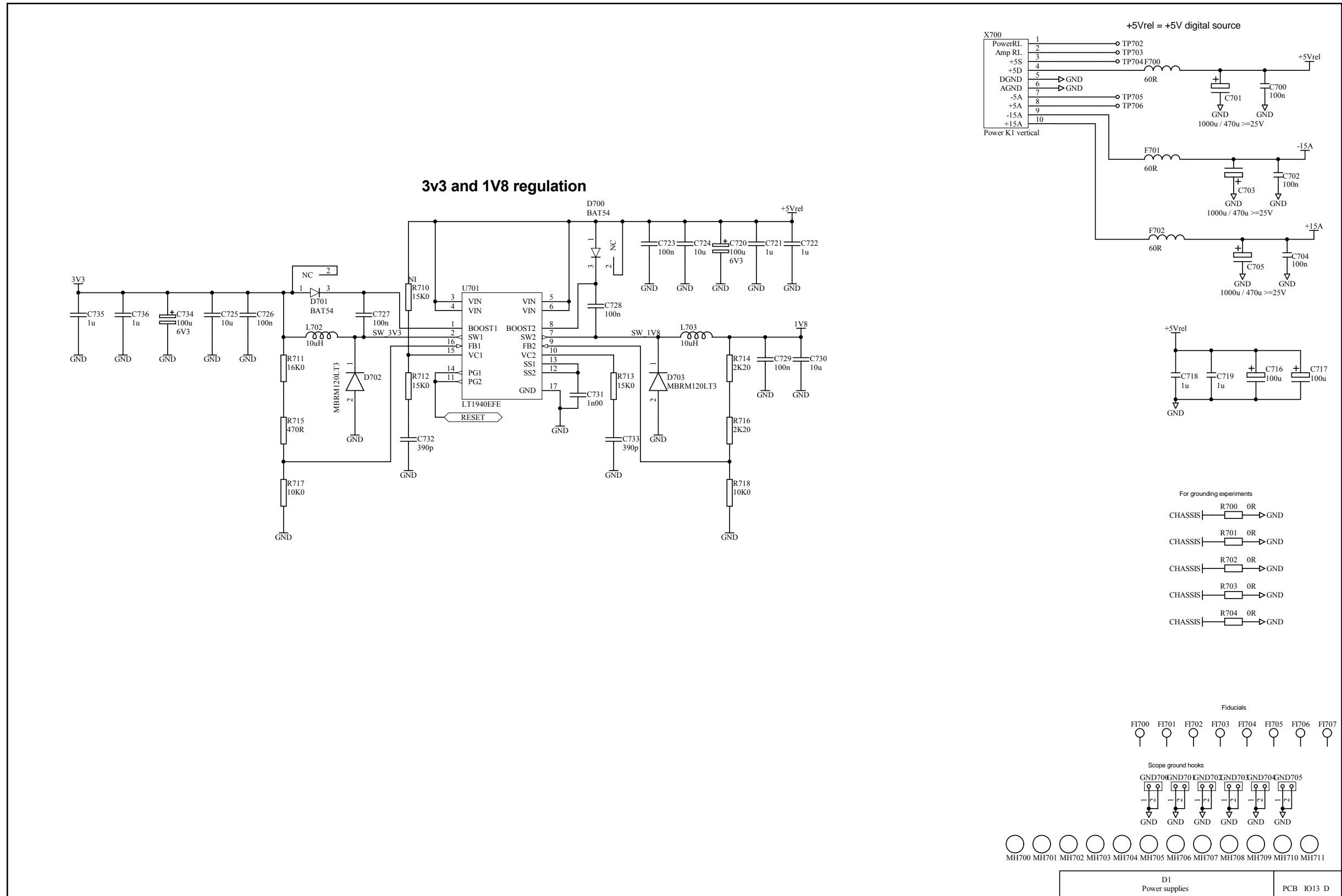
D1
Clocking arrangement
PCB IO13 D

4 INPUT 320349 SCH 15 of 19



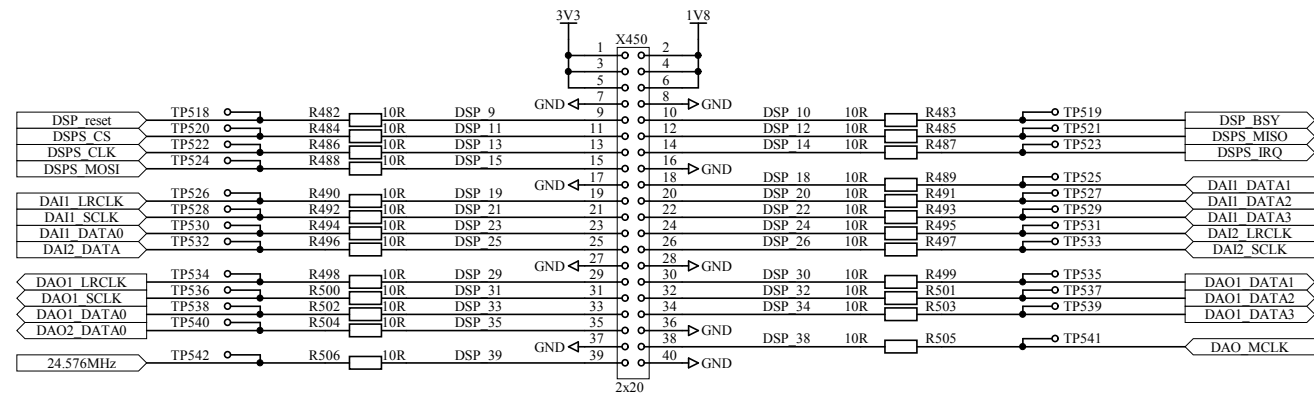
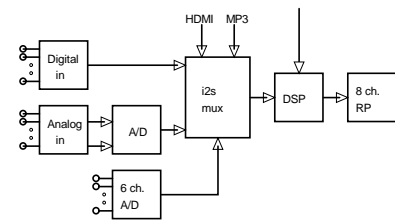
4 INPUT 320349 SCH 16 of 19





4 INPUT 320349 SCH 18 of 19

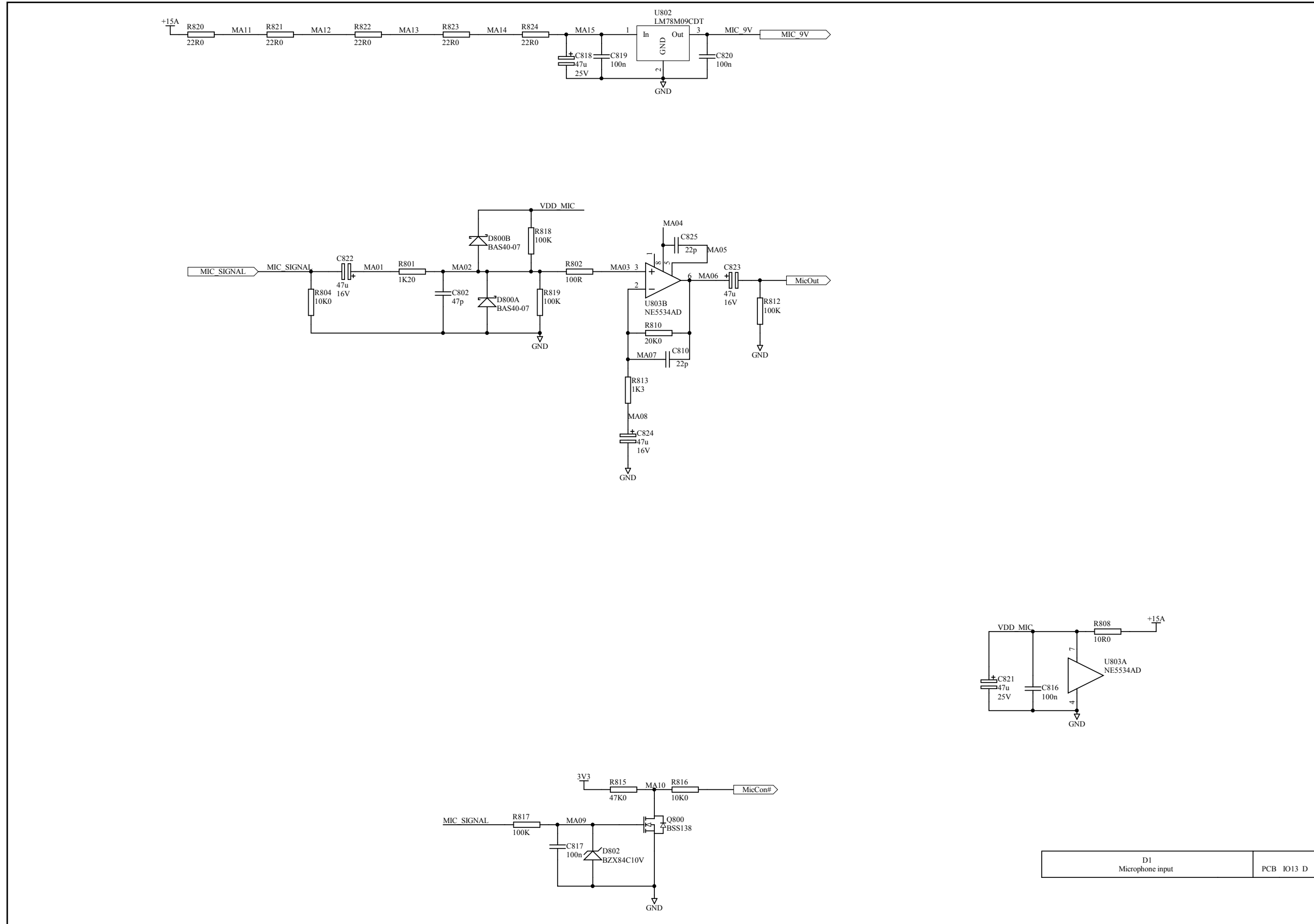
DSP Module Connection

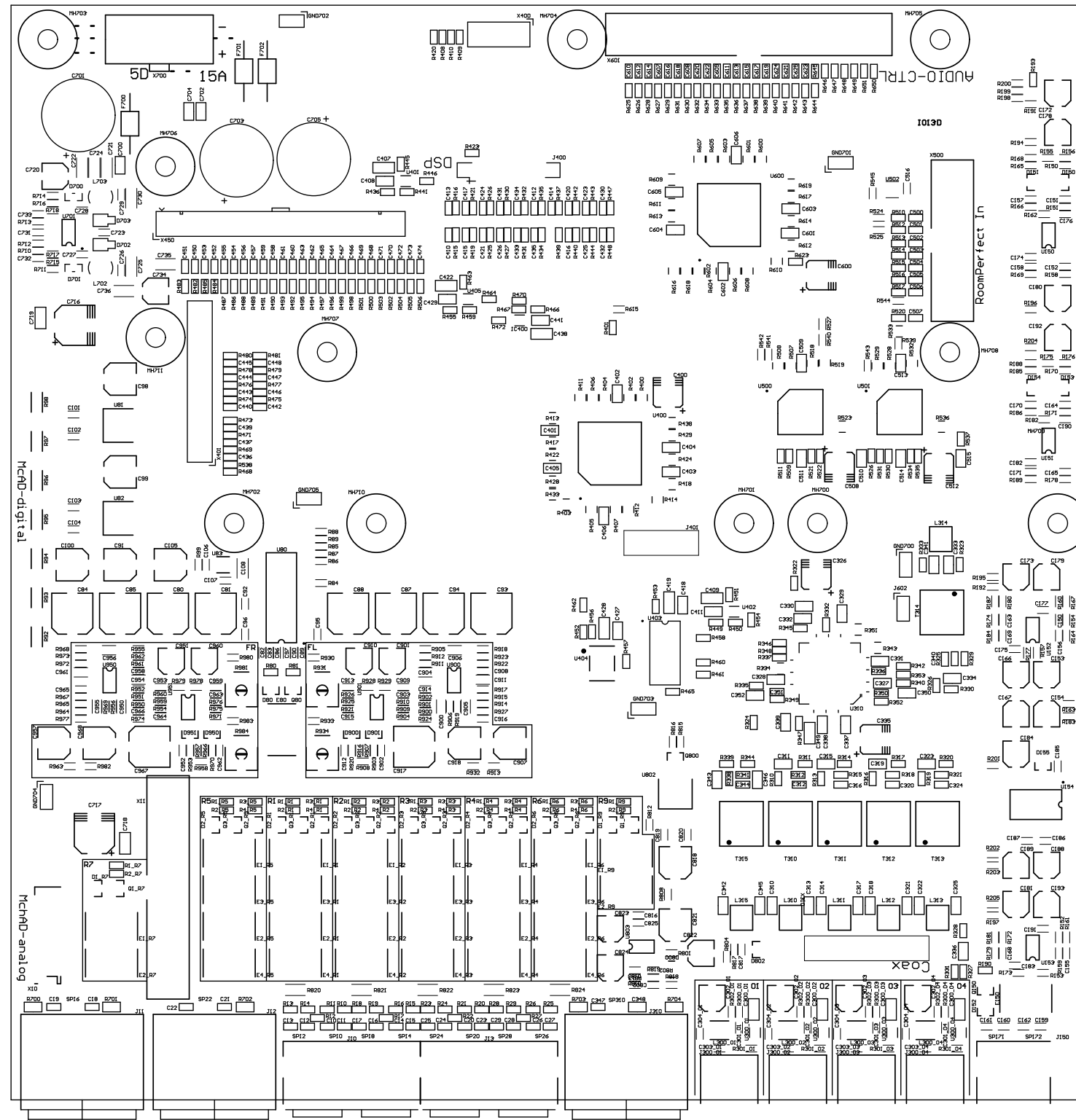


GND	22p	C450	DSP 9
GND	22p	C452	DSP 11
GND	22p	C454	DSP 13
GND	22p	C456	DSP 15
GND	22p	C458	DSP 19
GND	22p	C460	DSP 21
GND	22p	C462	DSP 23
GND	22p	C464	DSP 25
GND	22p	C466	DSP 29
GND	22p	C468	DSP 31
GND	22p	C470	DSP 33
GND	22p	C472	DSP 35
GND	not installed	C474	DSP 39

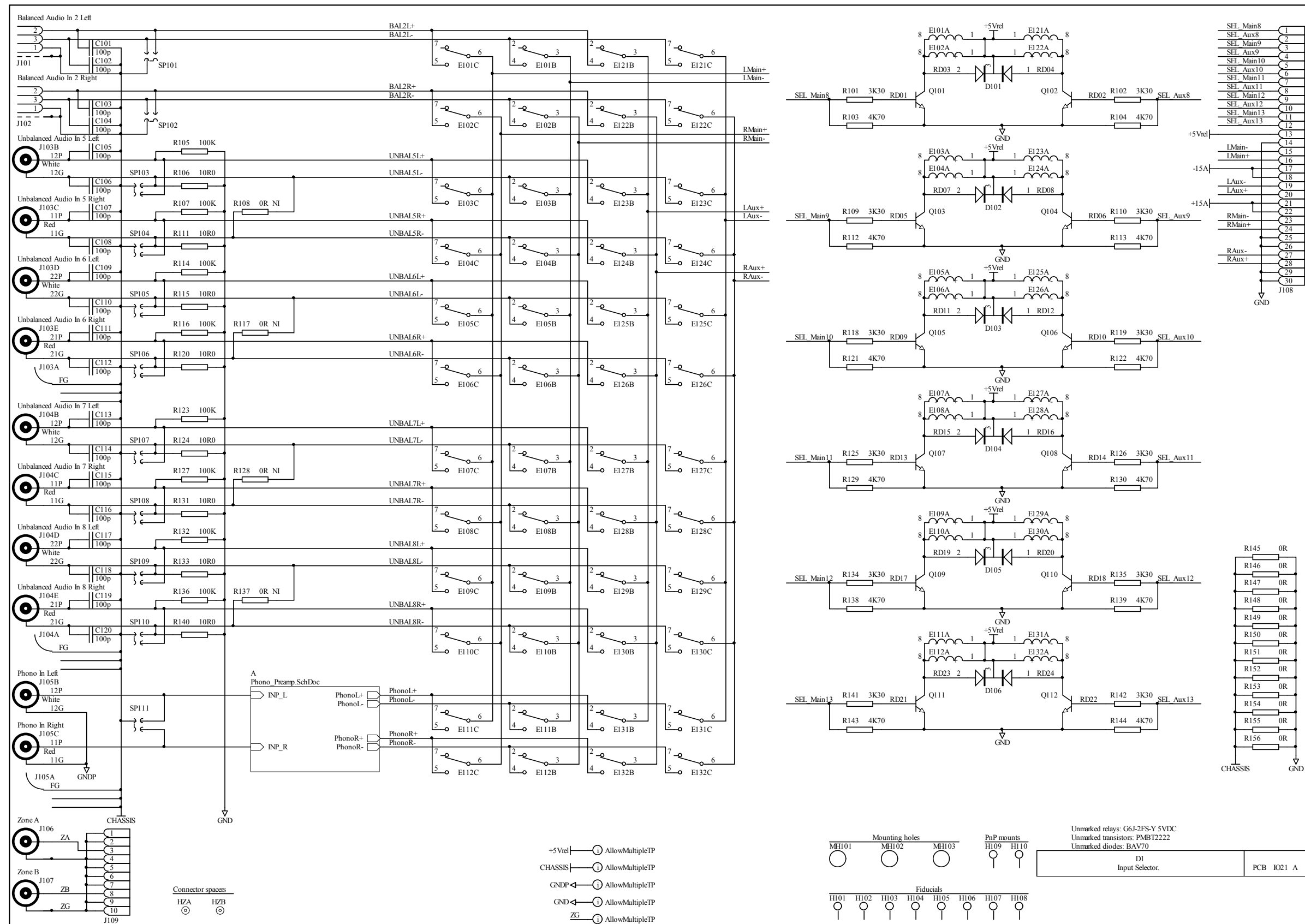
GND	22p	C451	DSP 10
GND	22p	C453	DSP 12
GND	22p	C455	DSP 14
GND	22p	C457	DSP 18
GND	22p	C459	DSP 20
GND	22p	C461	DSP 22
GND	22p	C463	DSP 24
GND	22p	C465	DSP 26
GND	22p	C467	DSP 30
GND	22p	C469	DSP 32
GND	22p	C471	DSP 34
GND	not installed	C473	DSP 38

4 INPUT 320349 SCH 19 of 19

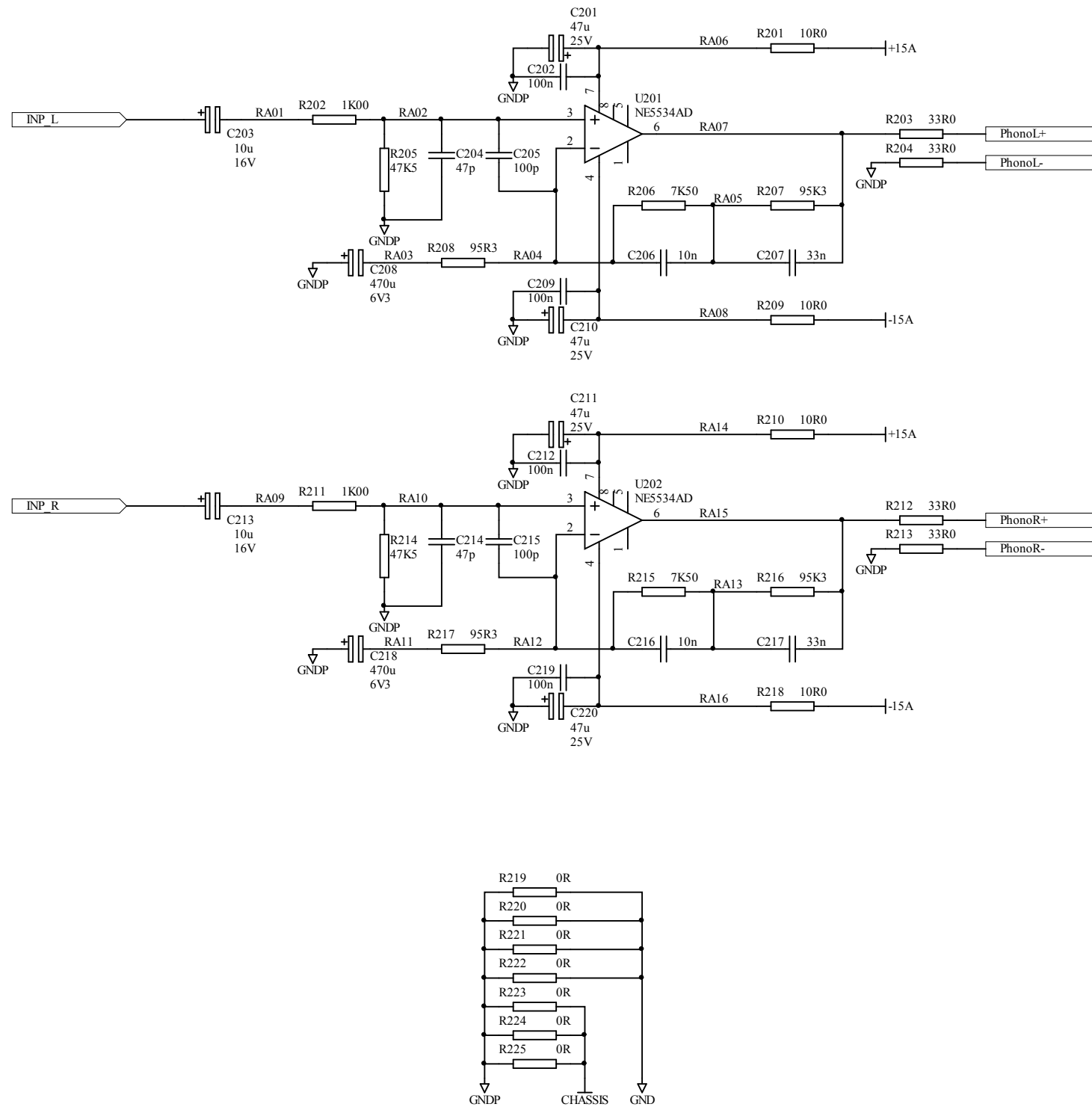




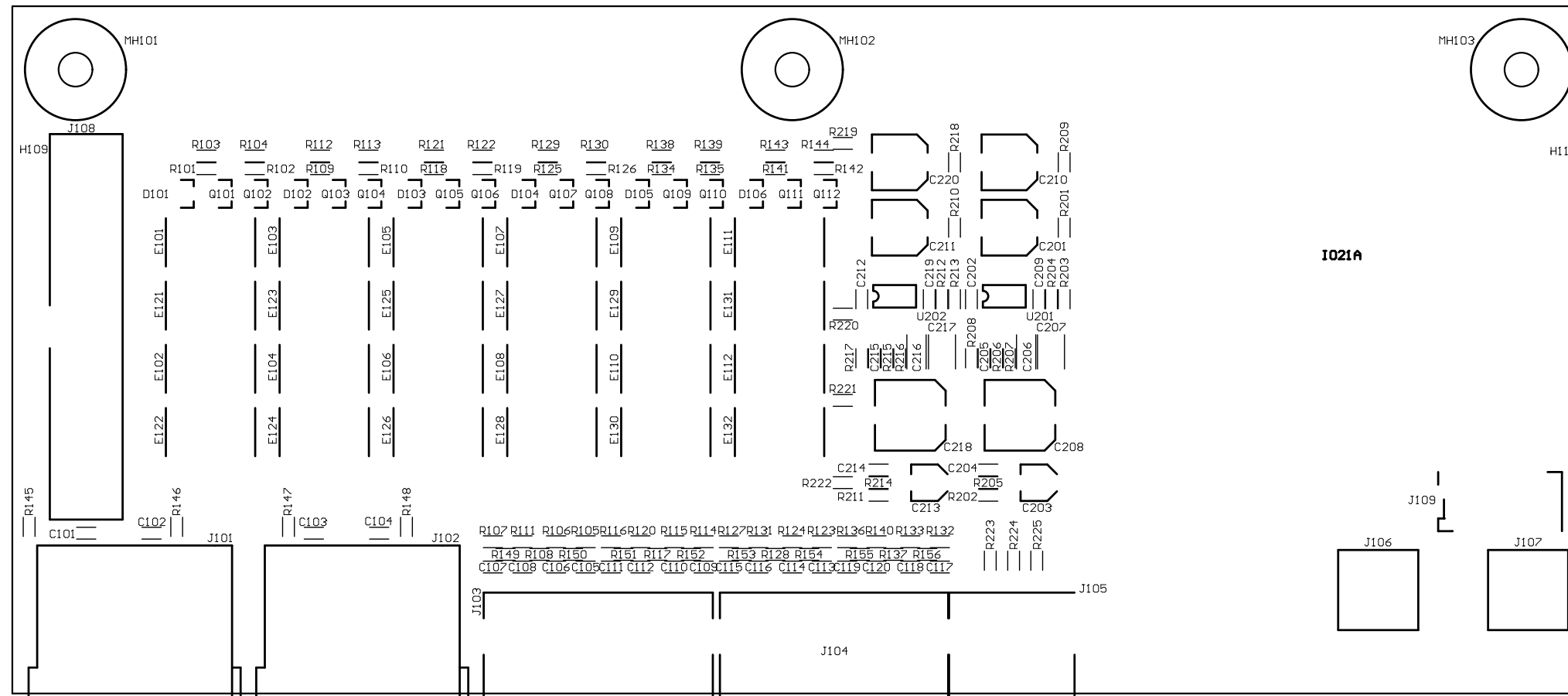
5 INPUT B 320354 SCH 1 of 2



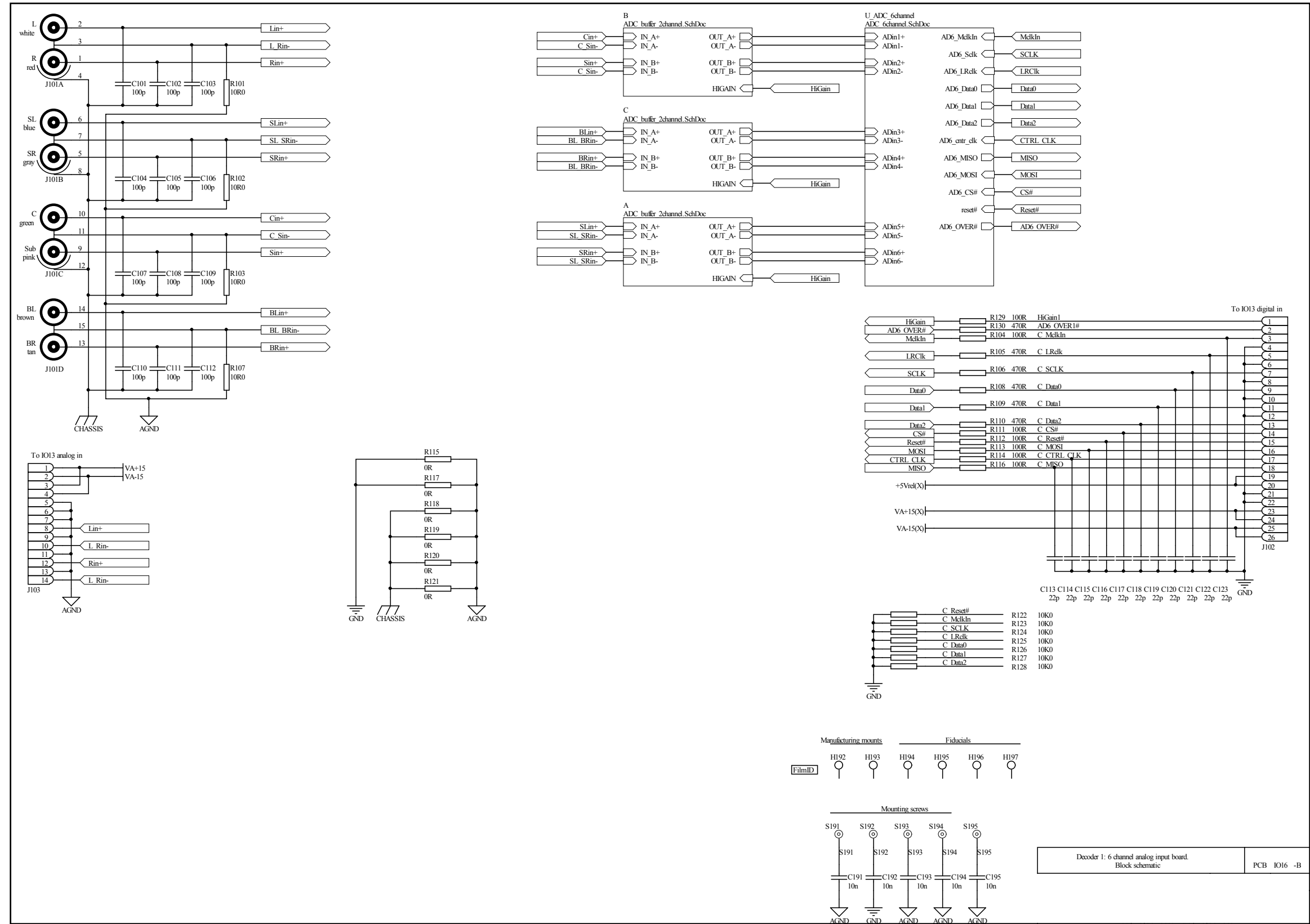
5 INPUT B 320354 SCH 2 of 2



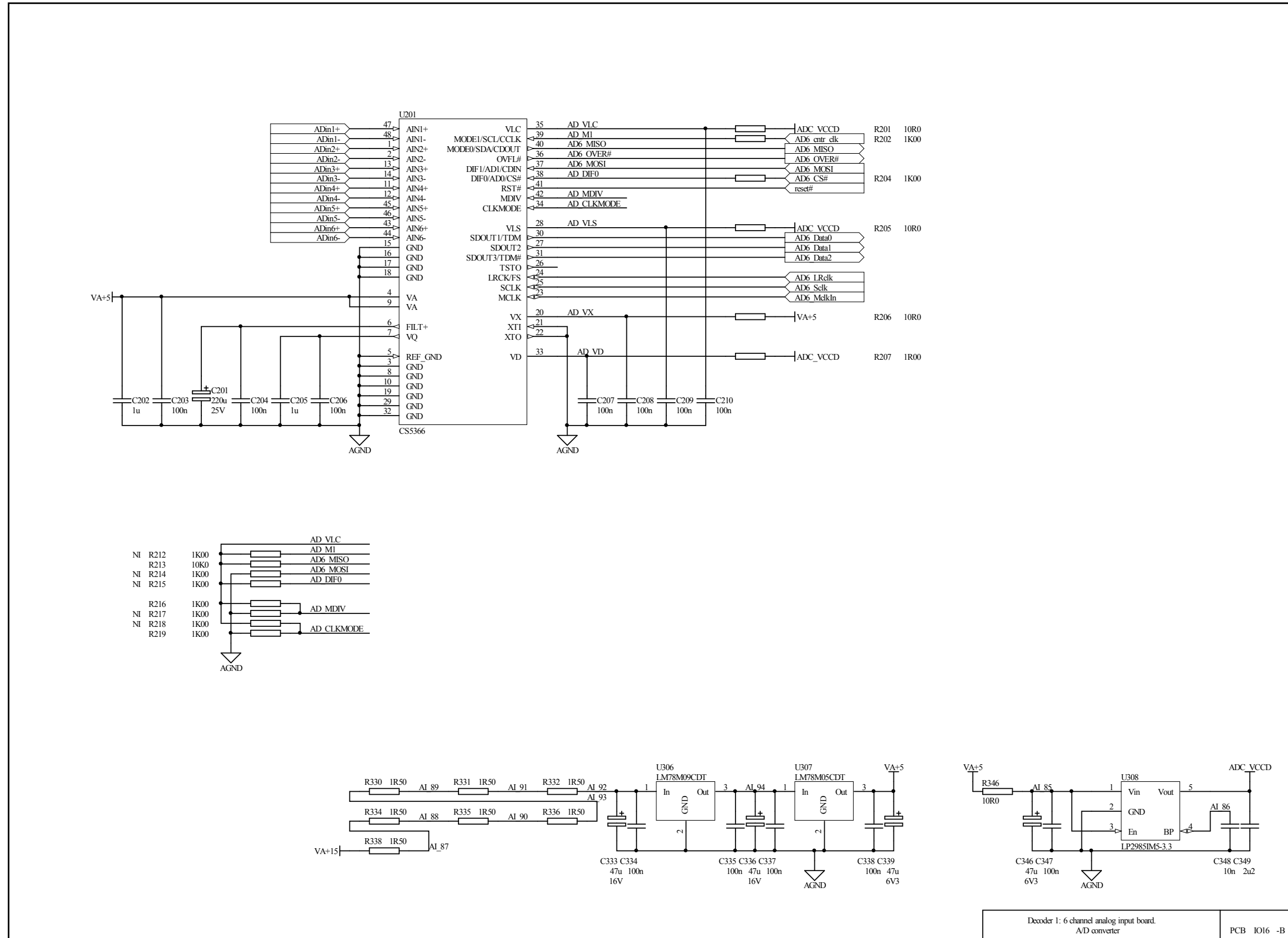
5 INPUT B 320354 PCB



6 MULTI IN 320350 SCH 1 of 3

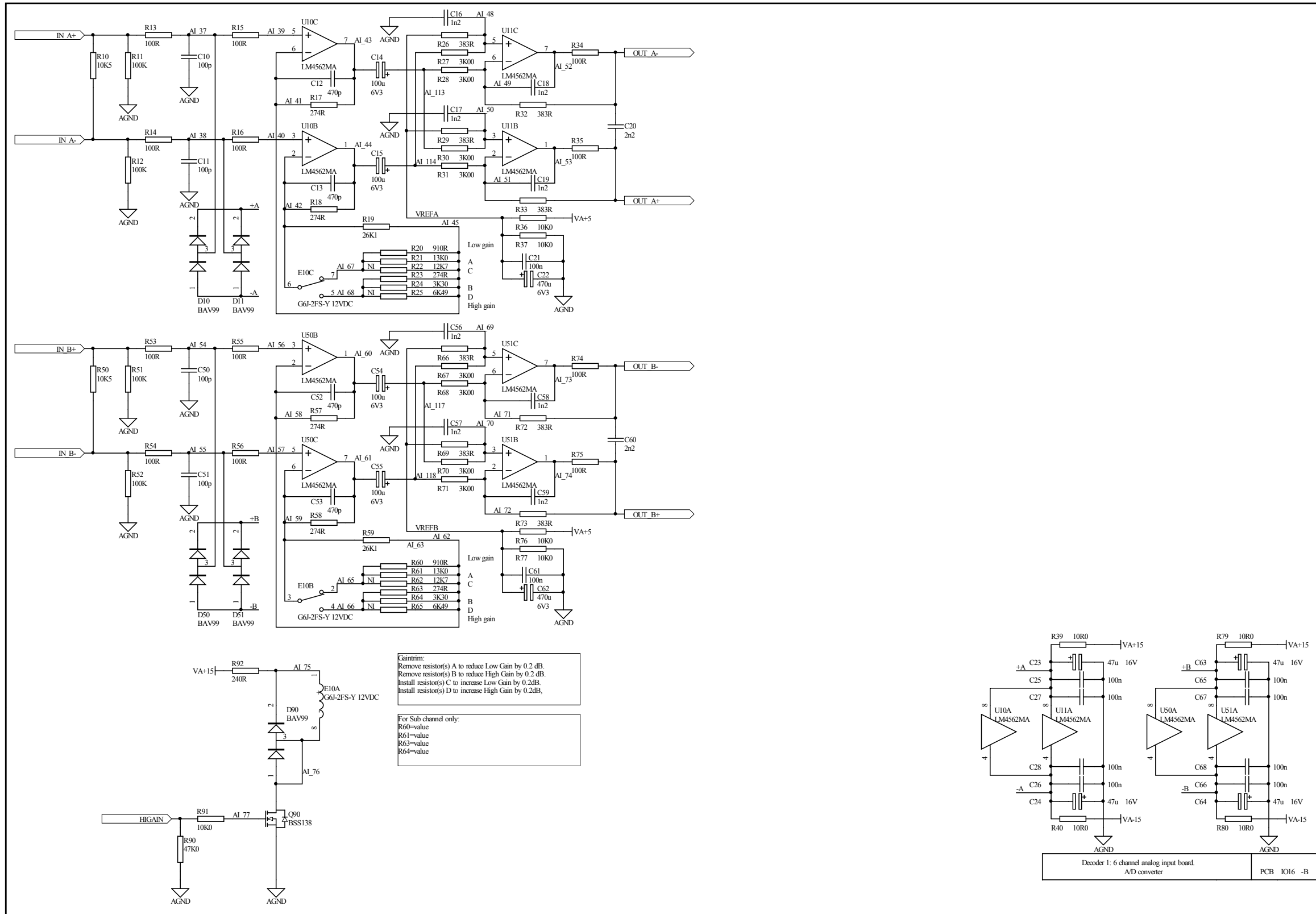


6 MULTI IN 320350 SCH 2 of 3

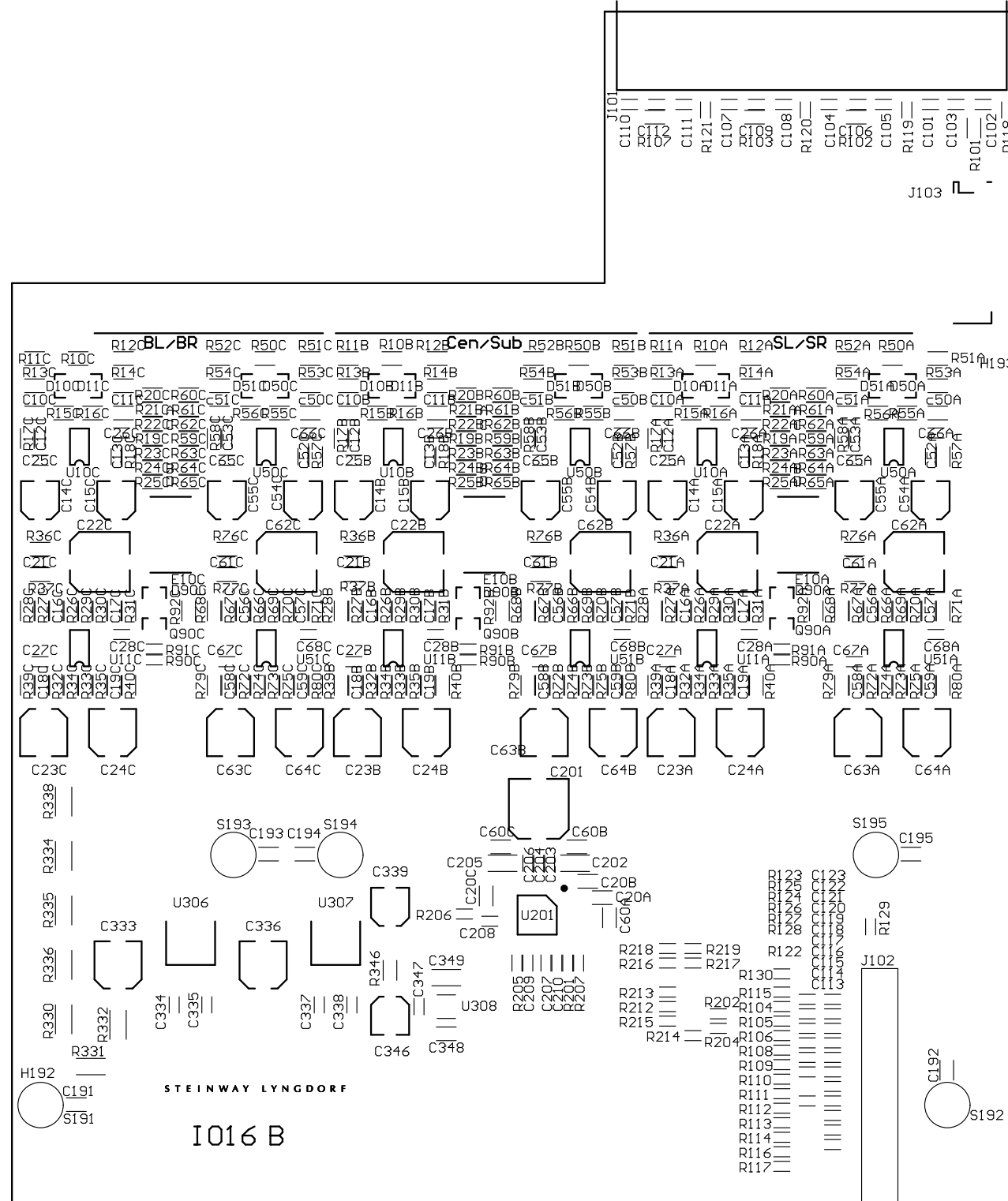


Decoder 1: 6 channel analog input board.
A/D converter PCB IO16 -B

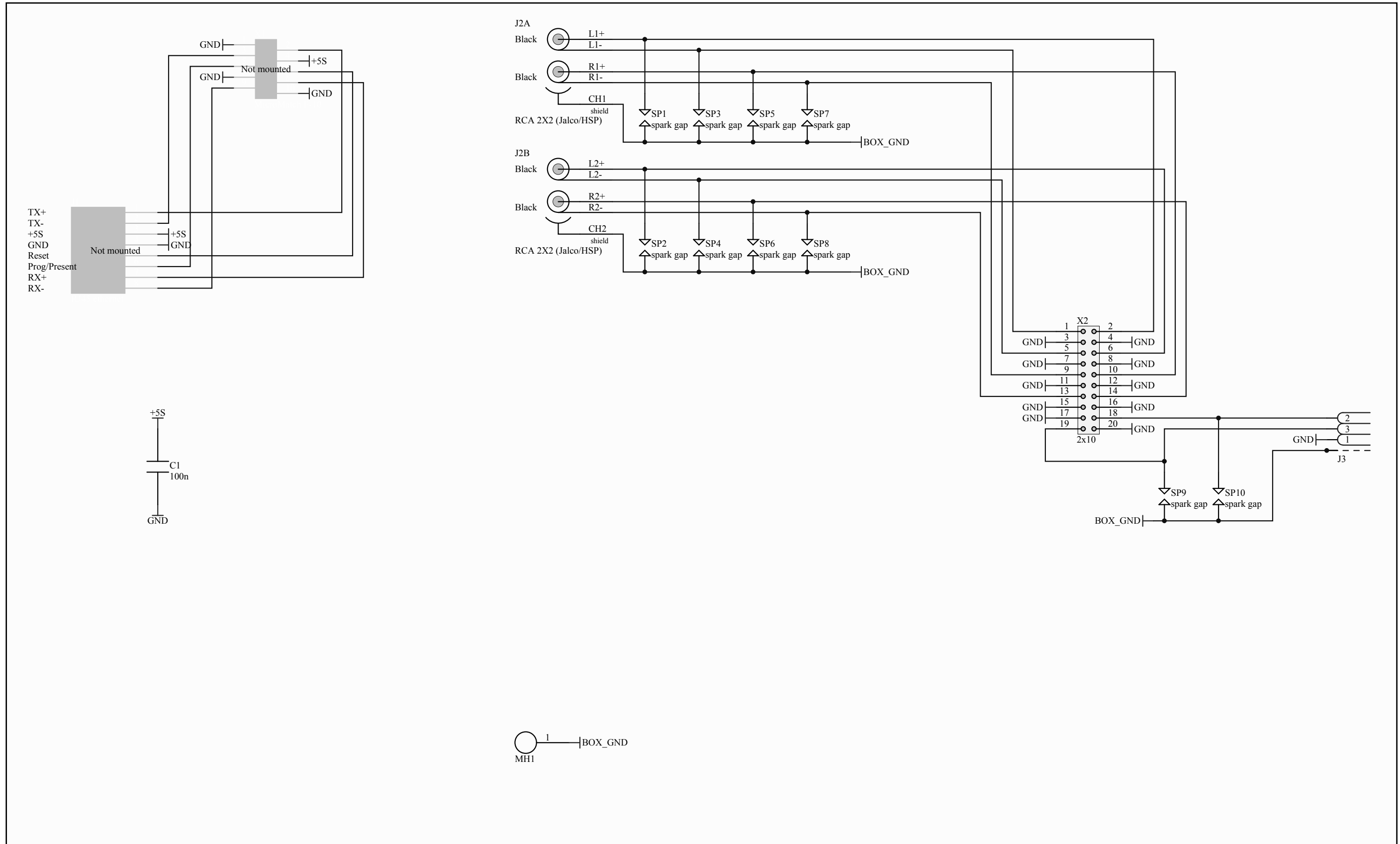
6 MULTI IN 320350 SCH 3 of 3



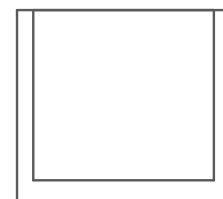
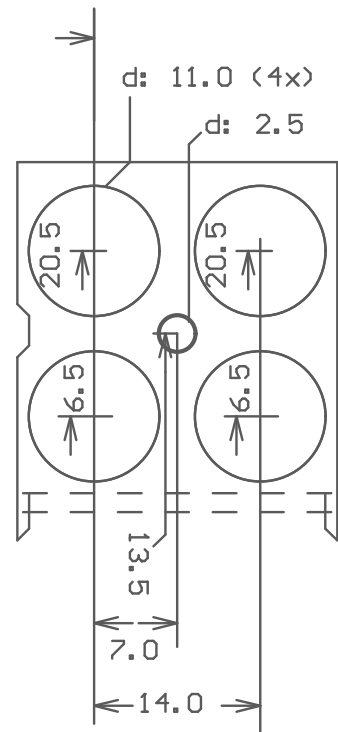
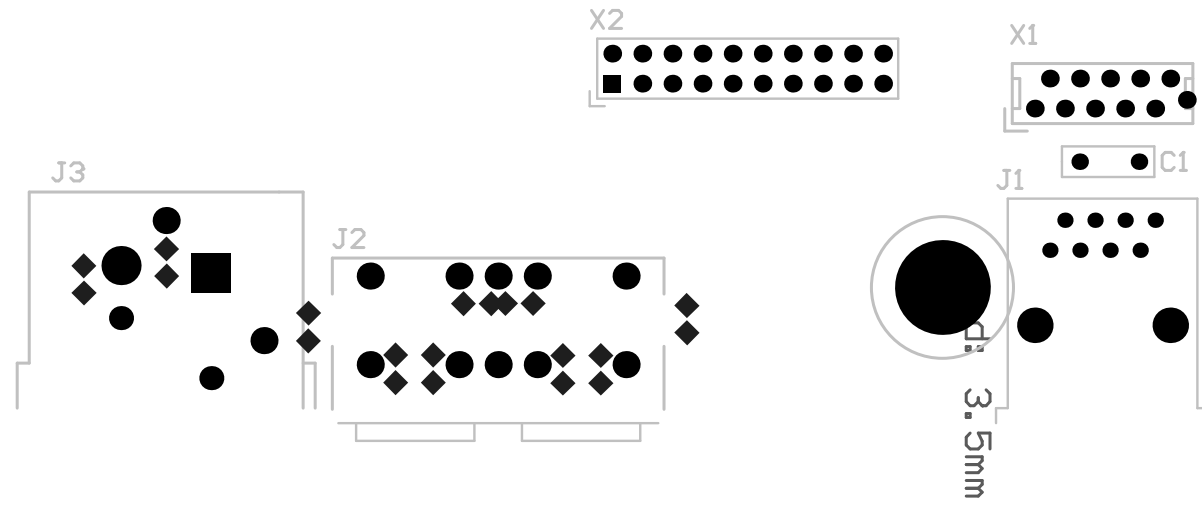
6 MULTI IN 320350 PCB



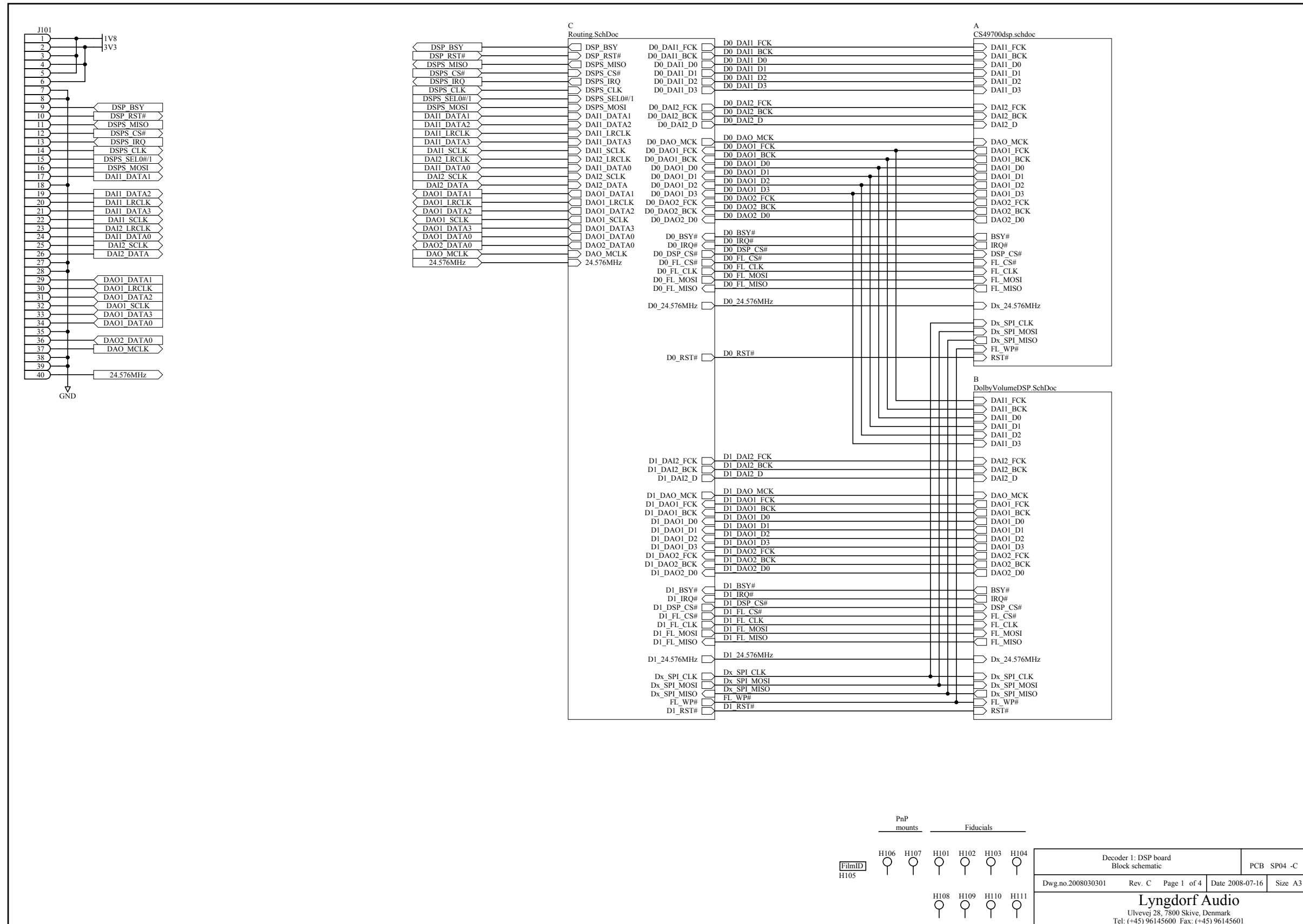
7 DIGITAL INPUT 320351 SCH



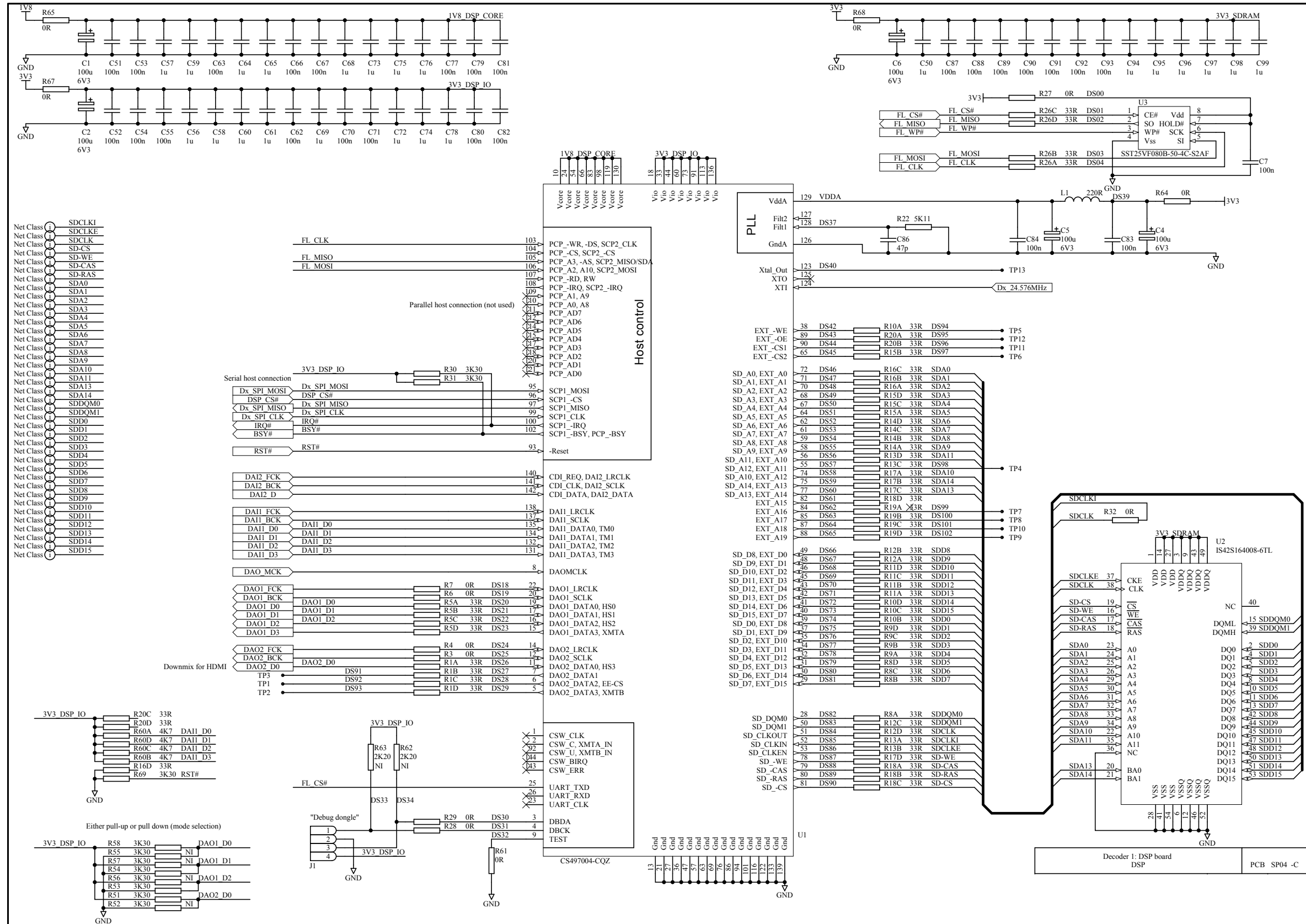
7 *DIGITAL INPUT* 320351 PCB



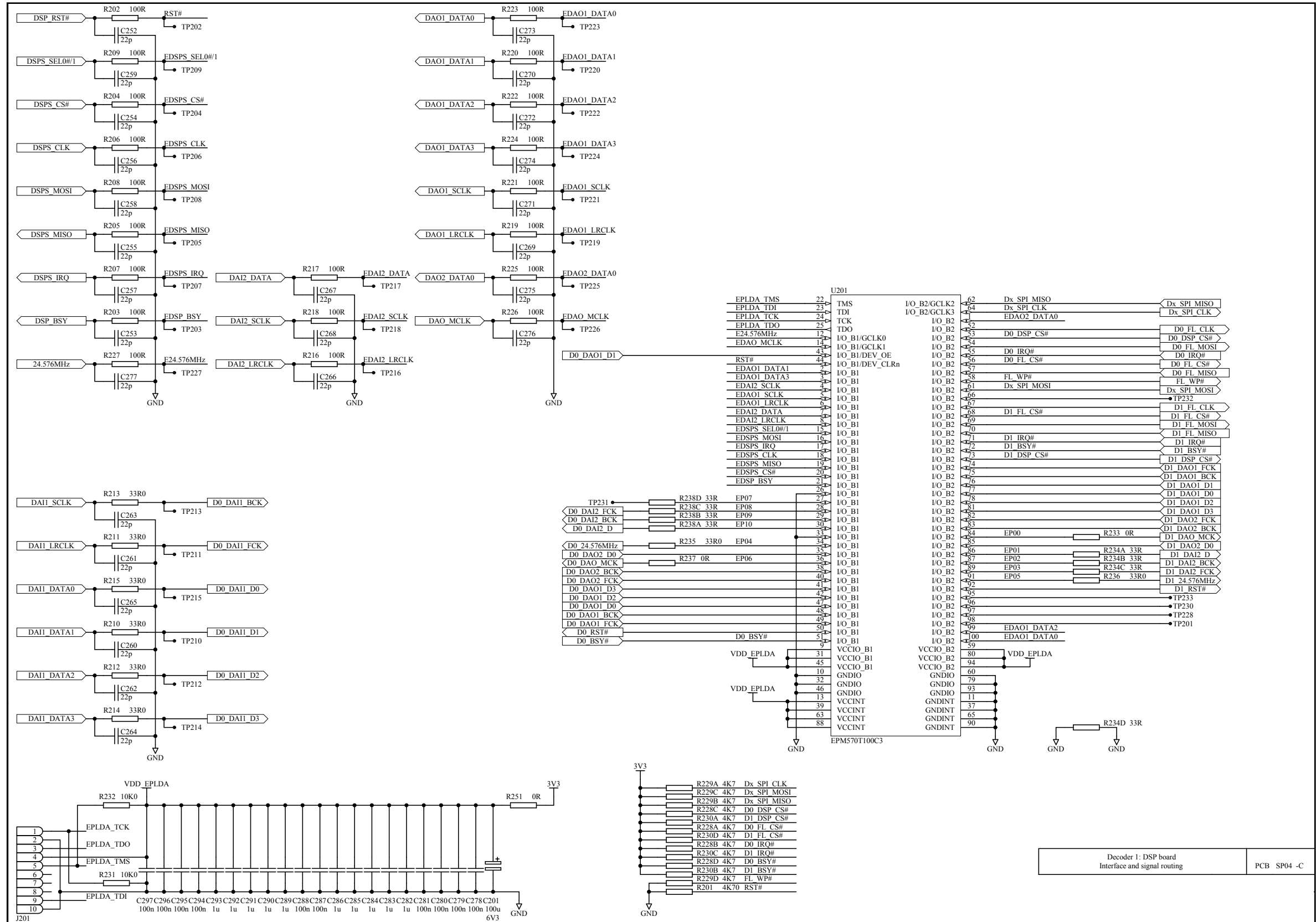
8 DISPLAY 320359 SCH 1 of 4



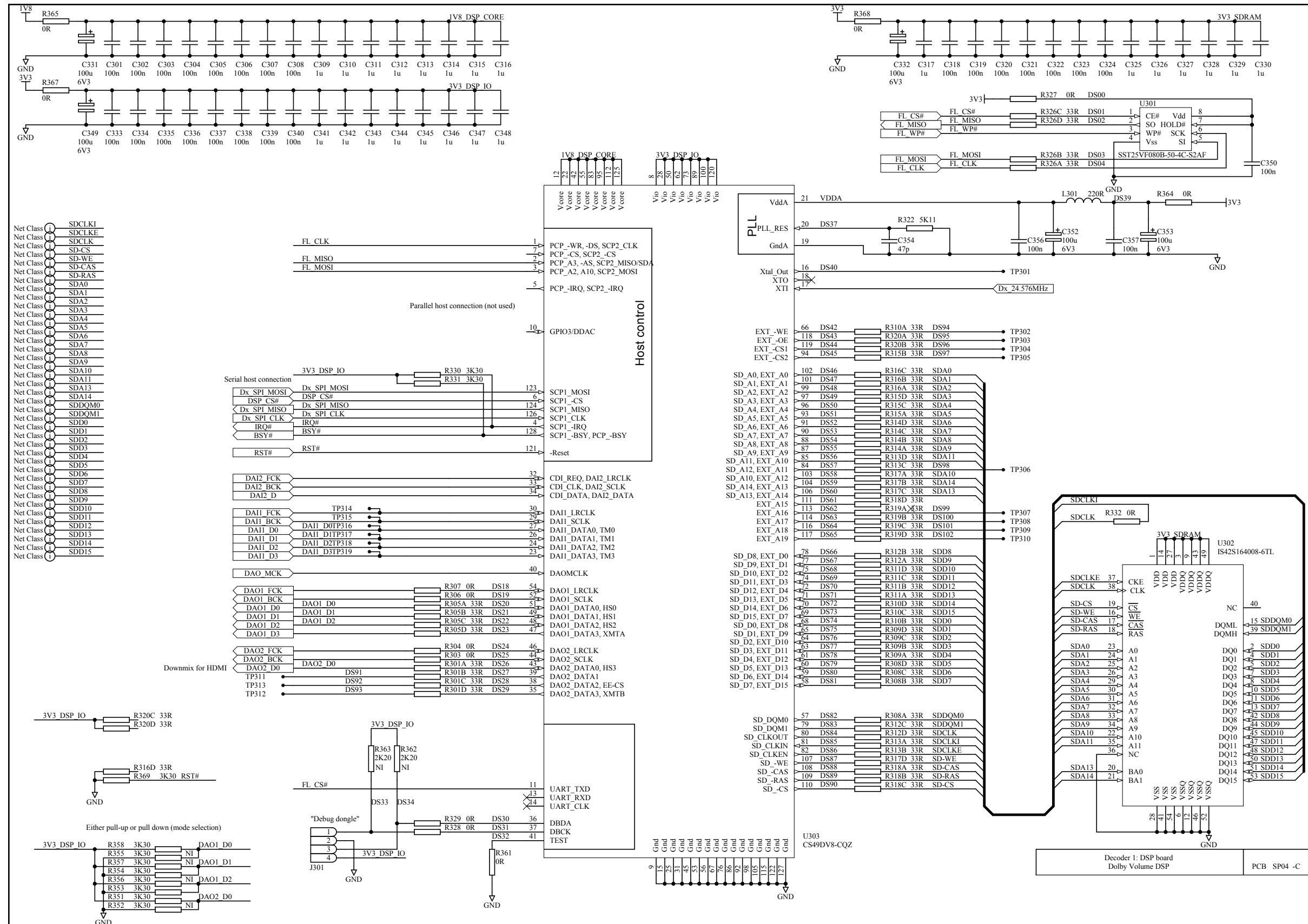
8 DISPLAY 320359 SCH 1 of 4



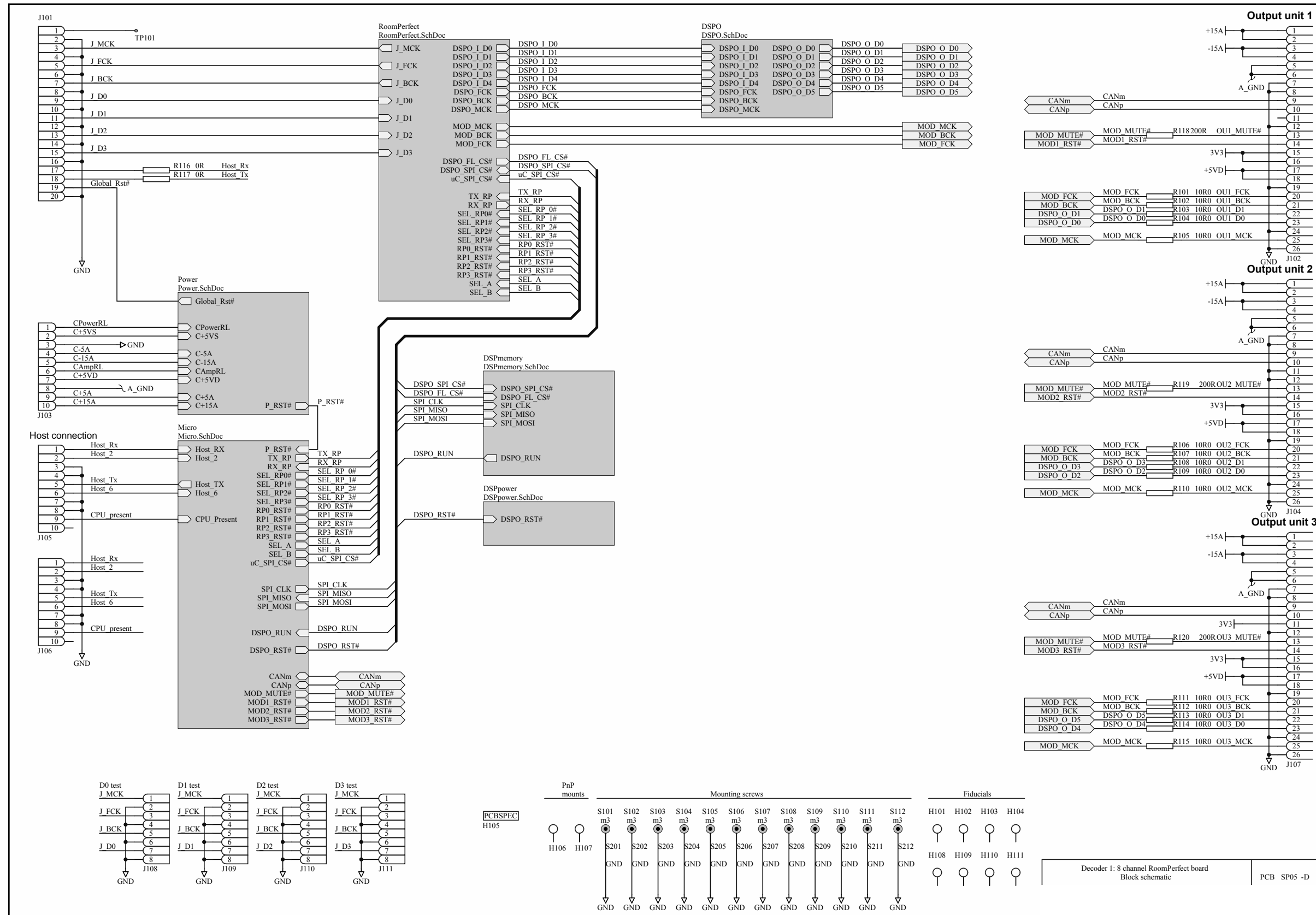
8 DISPLAY 320359 SCH 2 of 4



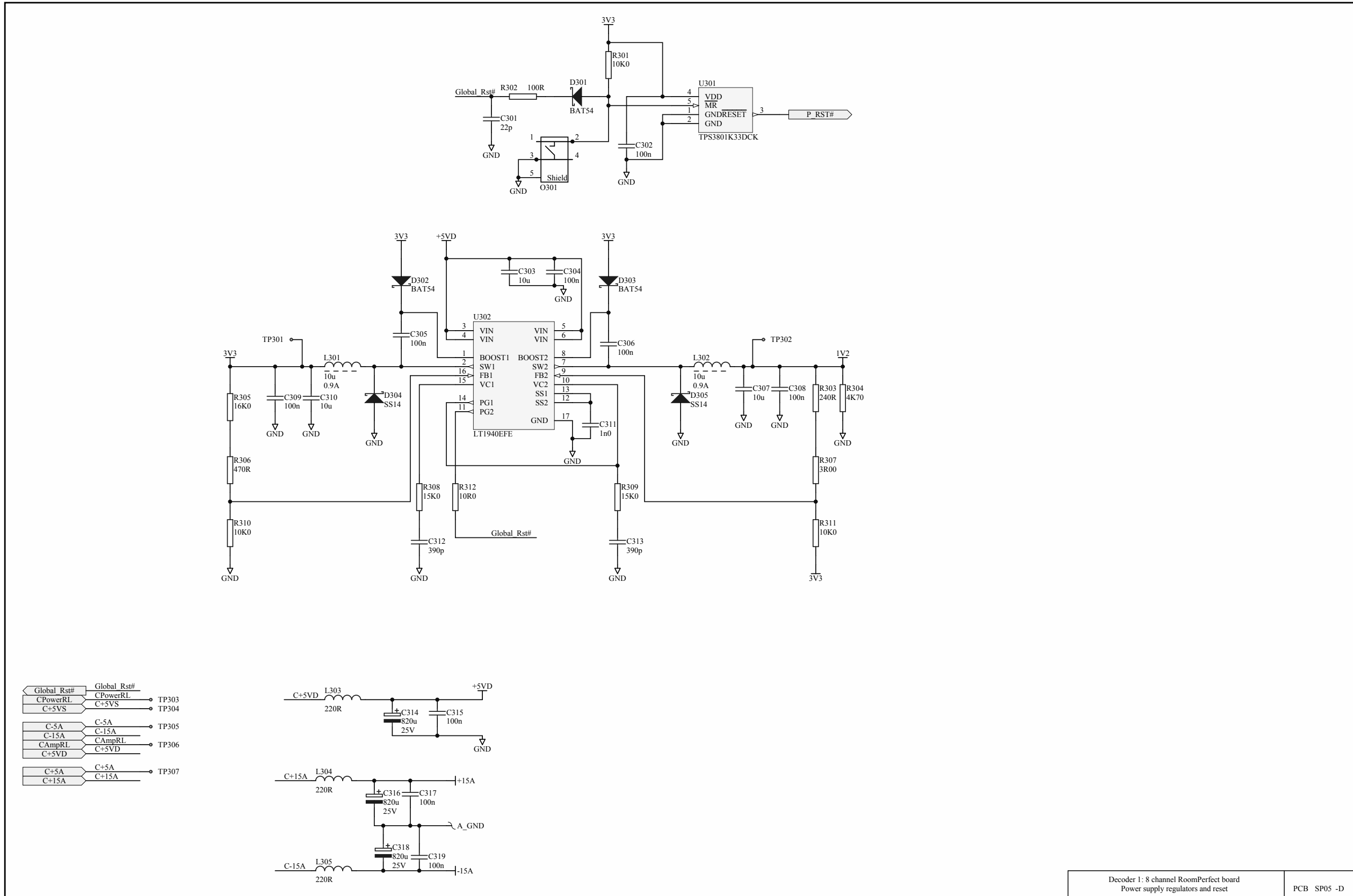
8 DISPLAY 320359 SCH 3 of 4



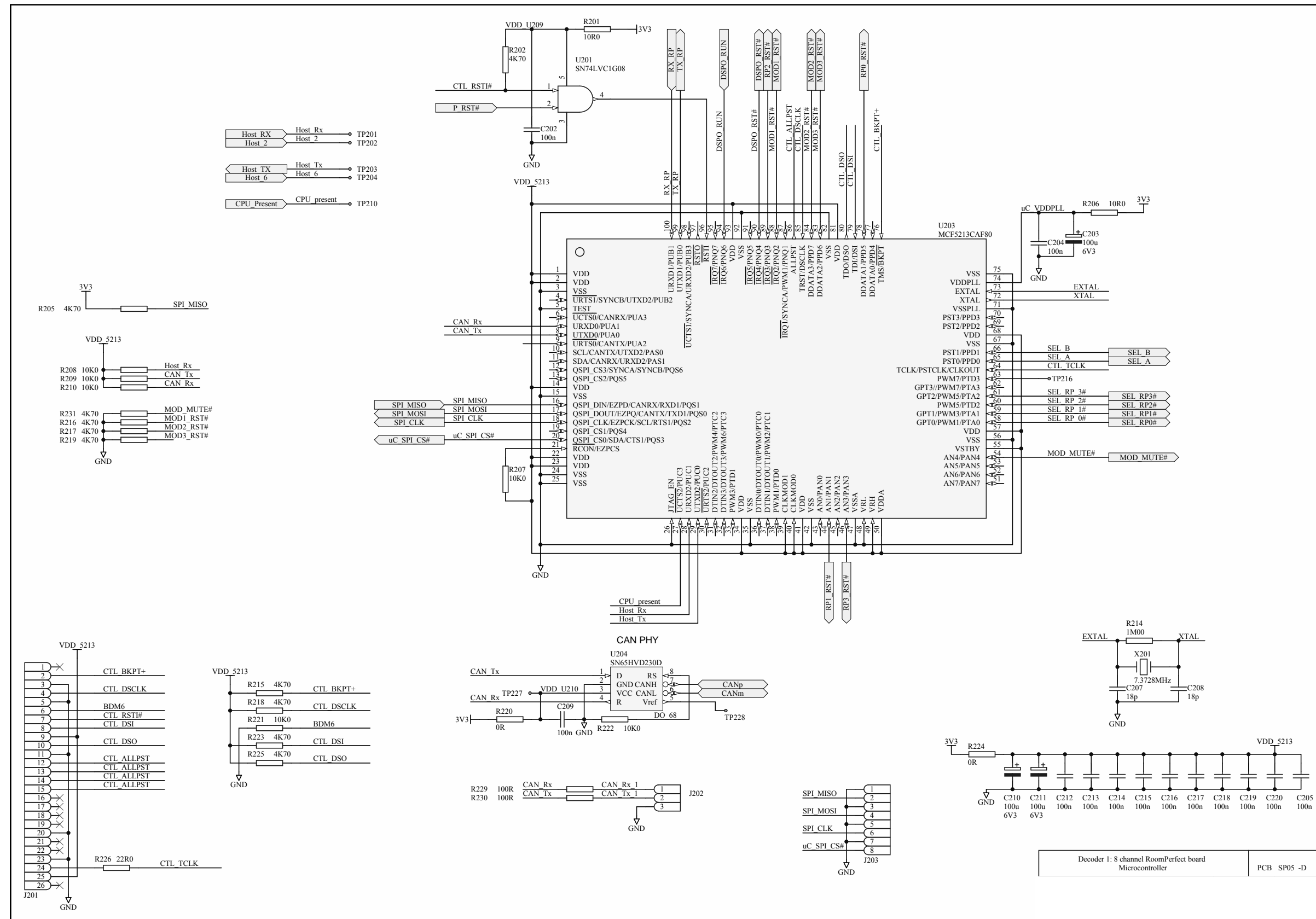
9 8 CHANNEL RP 320360 SCH 1 of 7

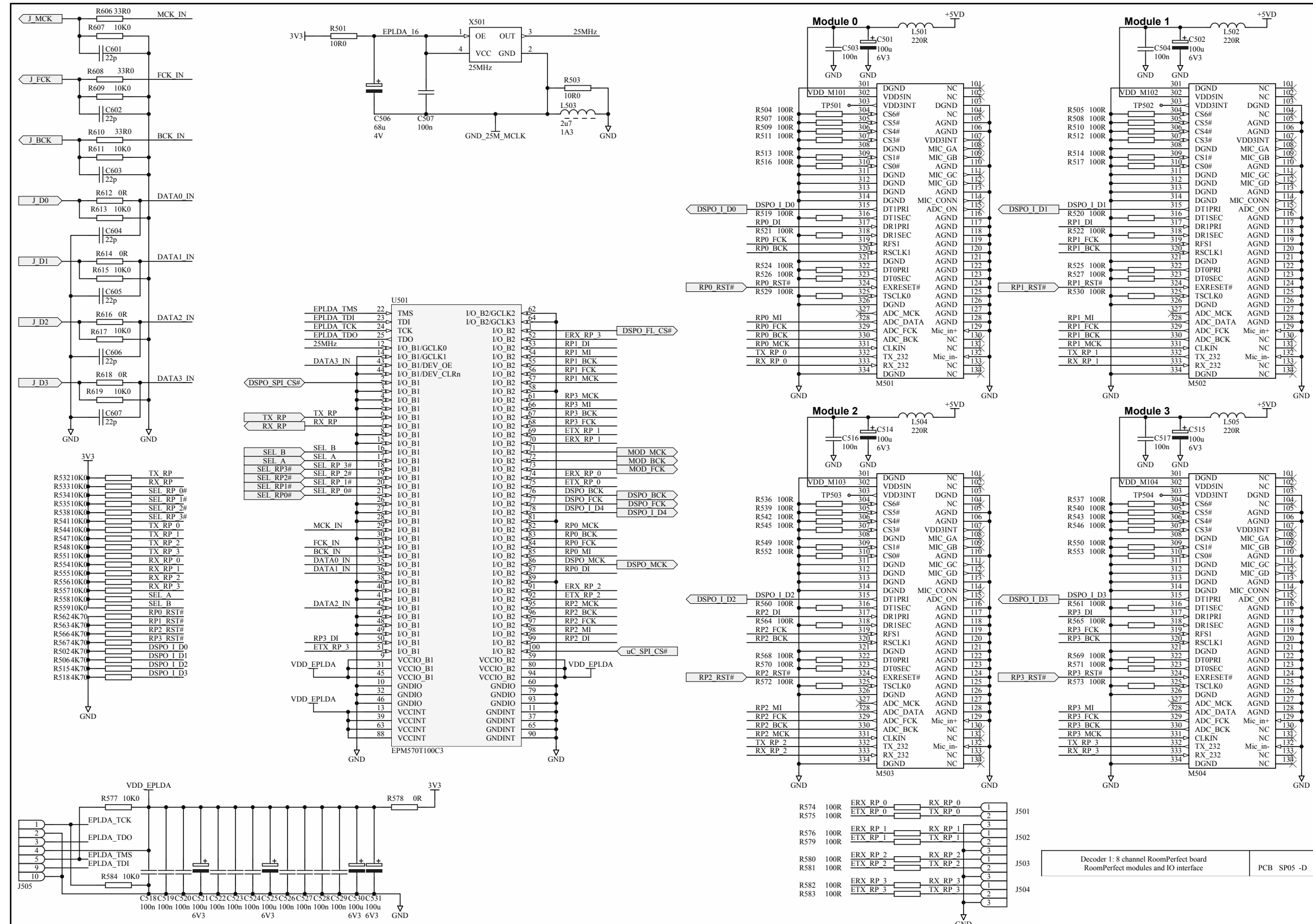


9 8 CHANNEL RP 320360 SCH 2 of 7



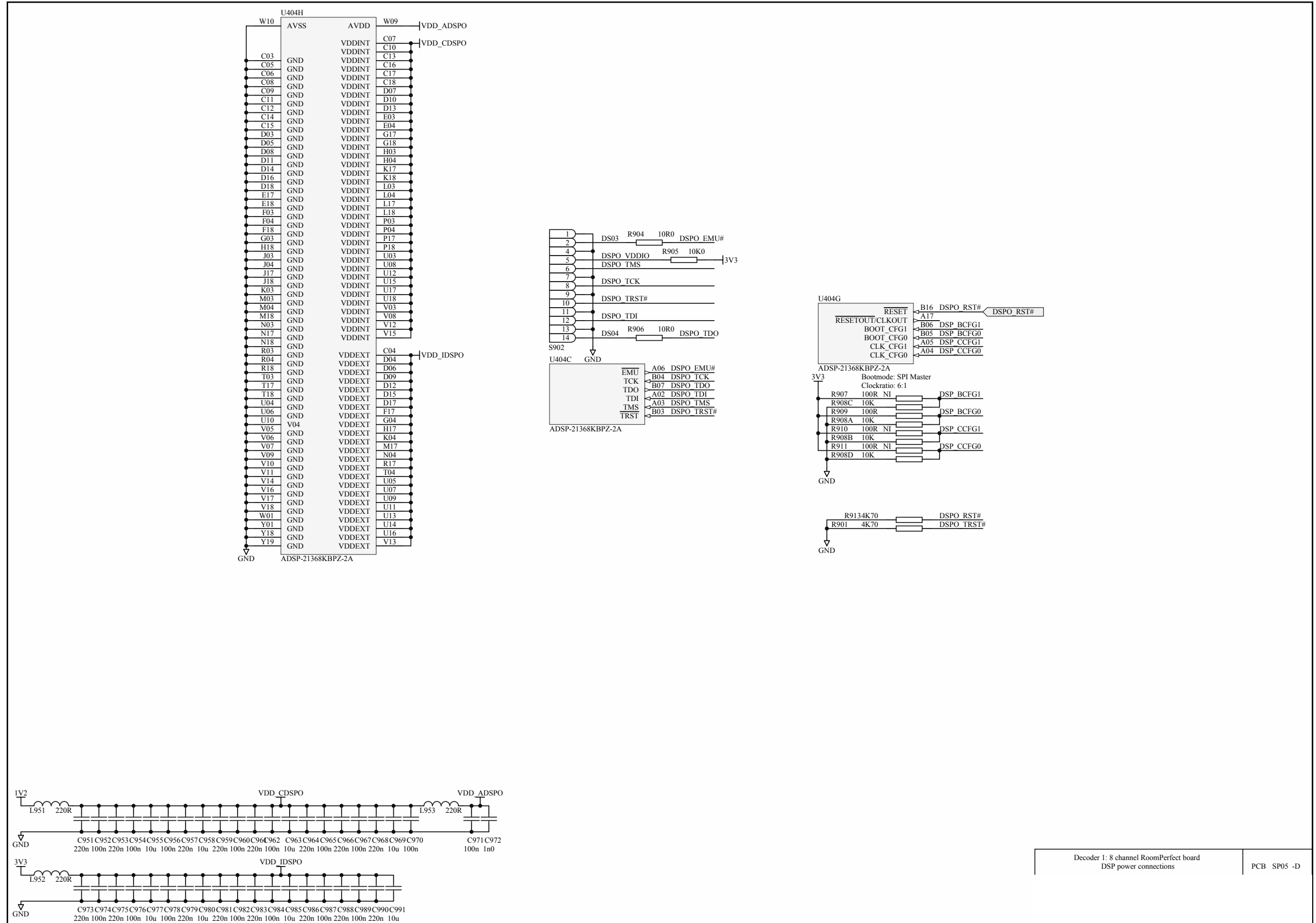
9 8 CHANNEL RP 320360 SCH 3 of 7





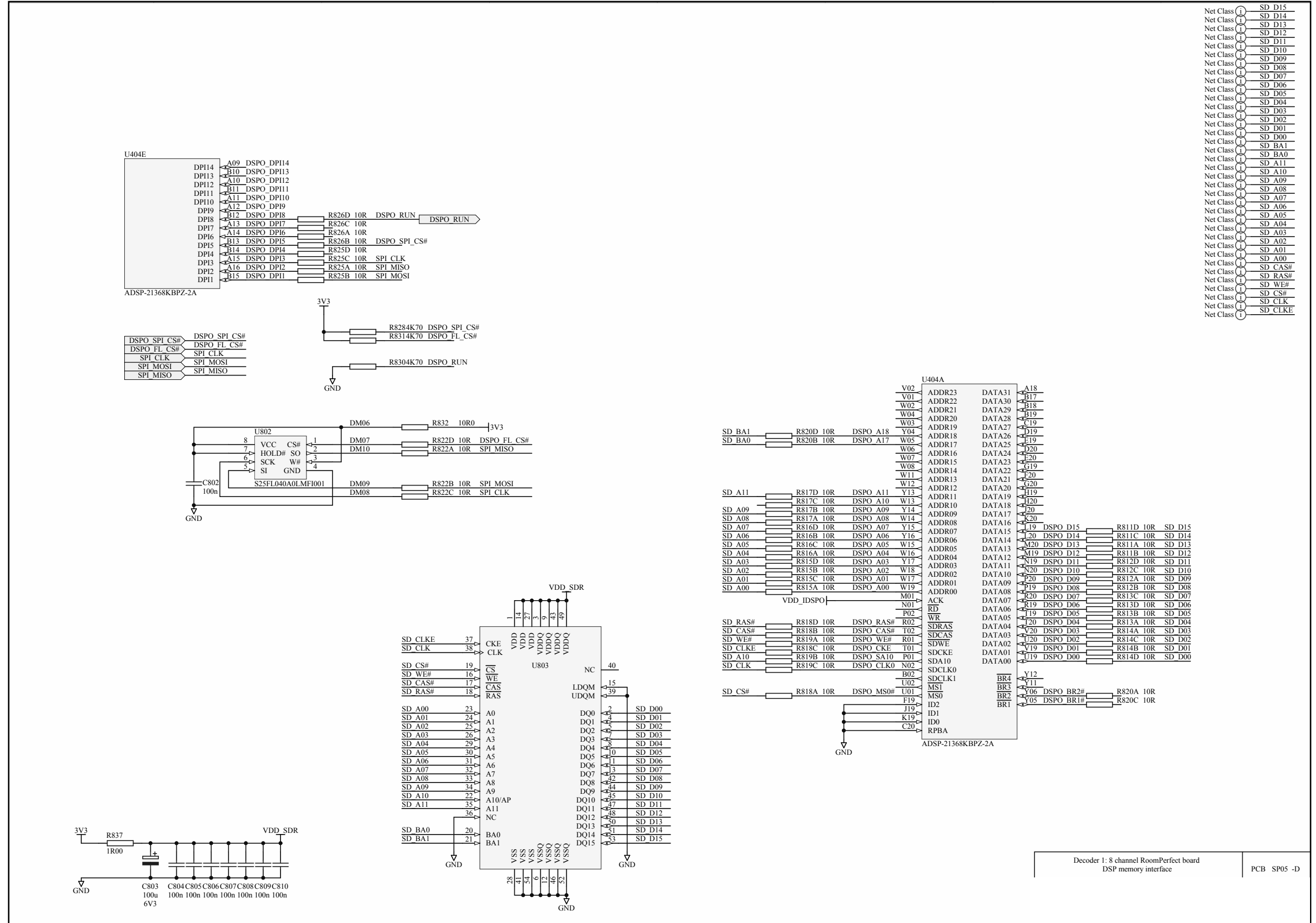
Decoder 1: 8 channel RoomPerfect board RoomPerfect modules and IO interface PCB SP05 -D

9 8 CHANNEL RP 320360 SCH 5 of 7

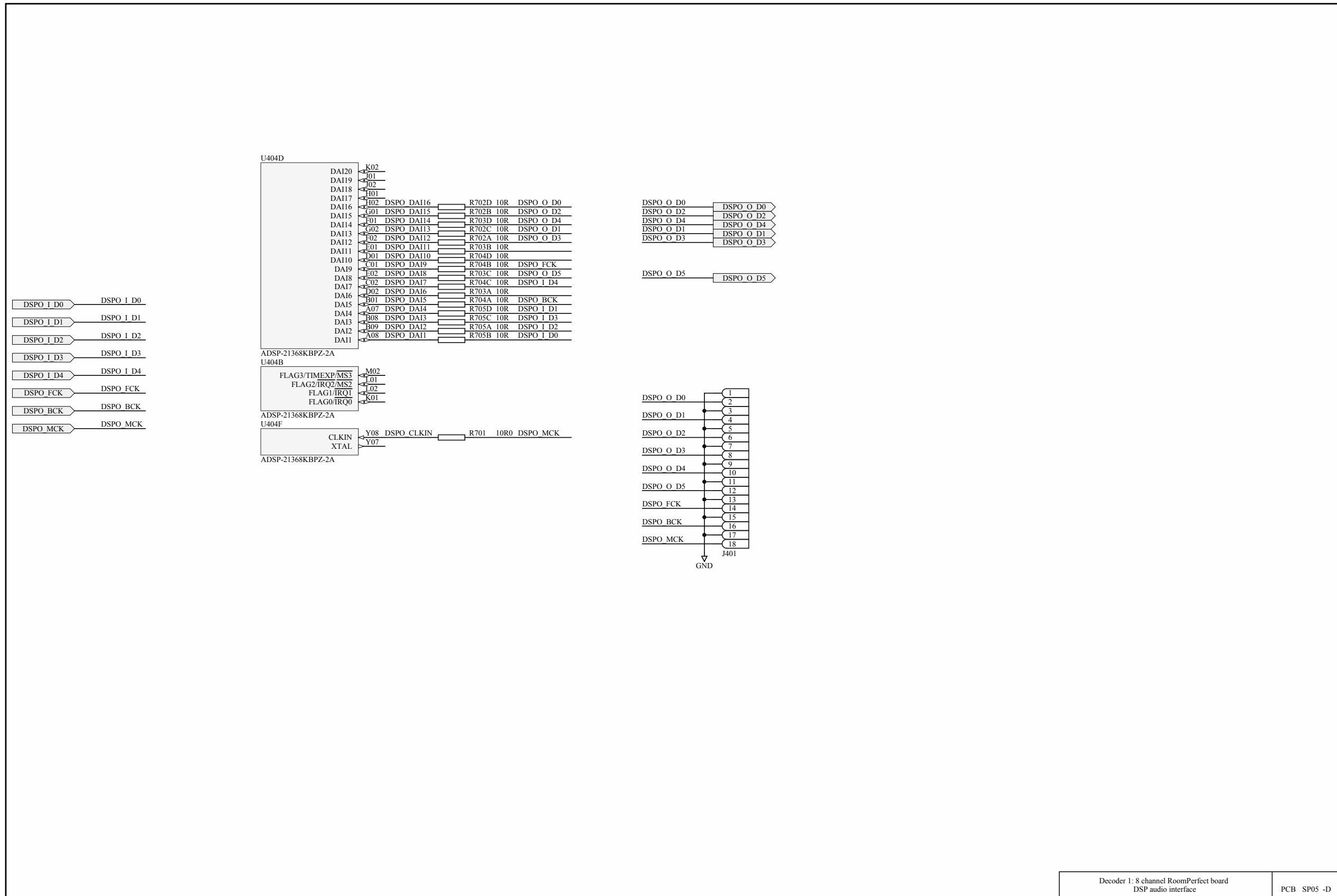


Decoder 1: 8 channel RoomPerfect board
DSP power connections
PCB SP05 -D

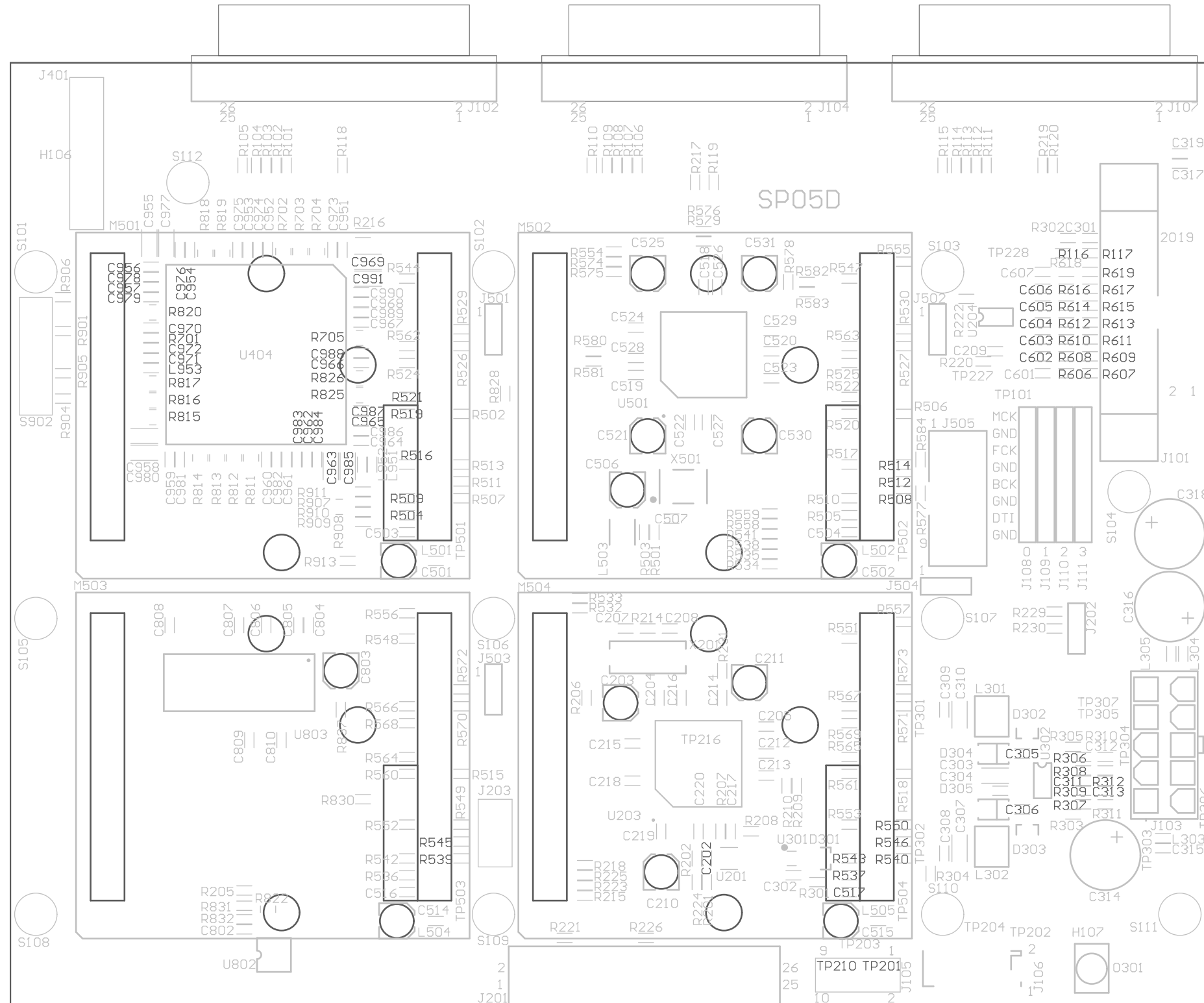
9 8 CHANNEL RP 320360 SCH 6 of 7

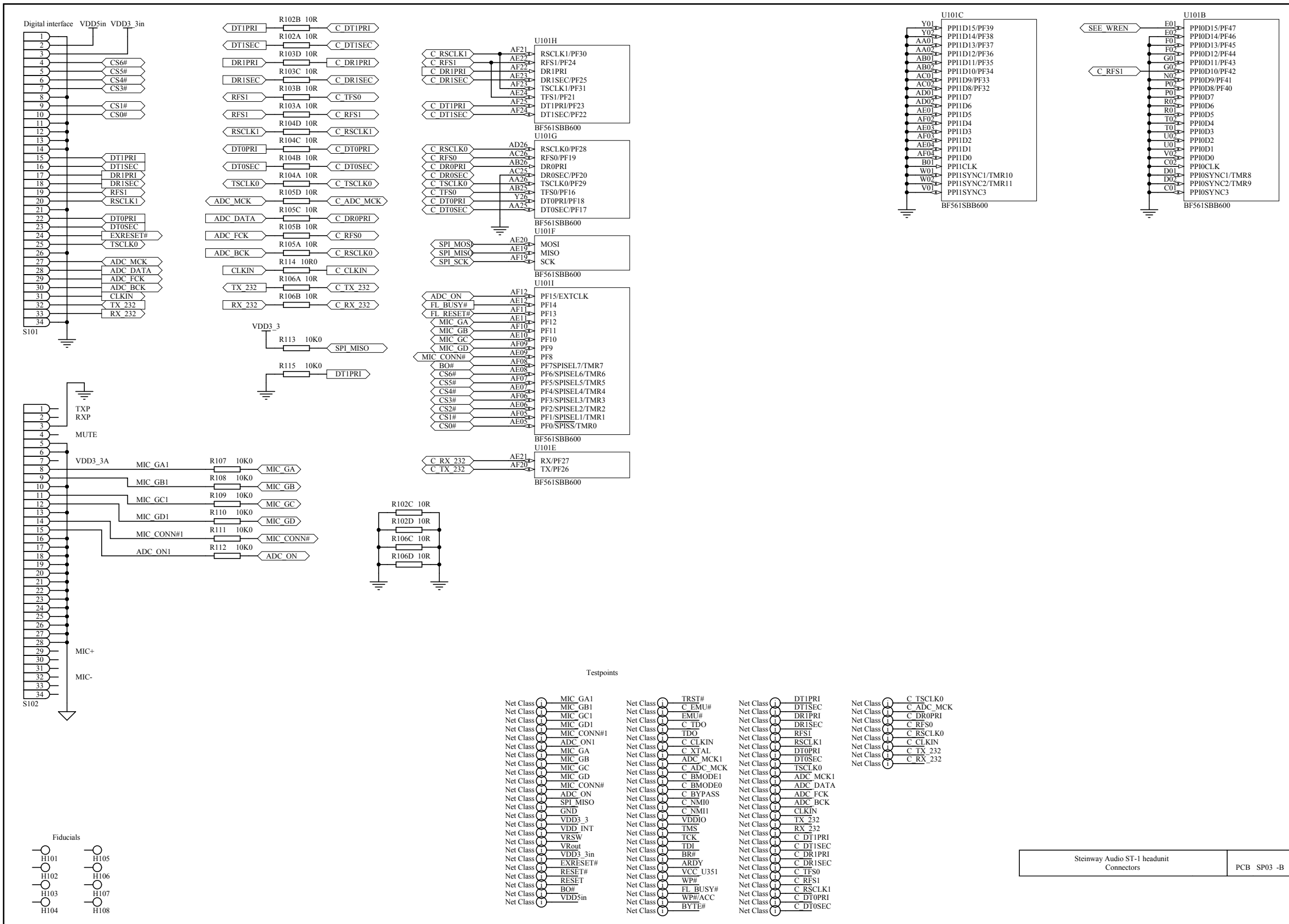


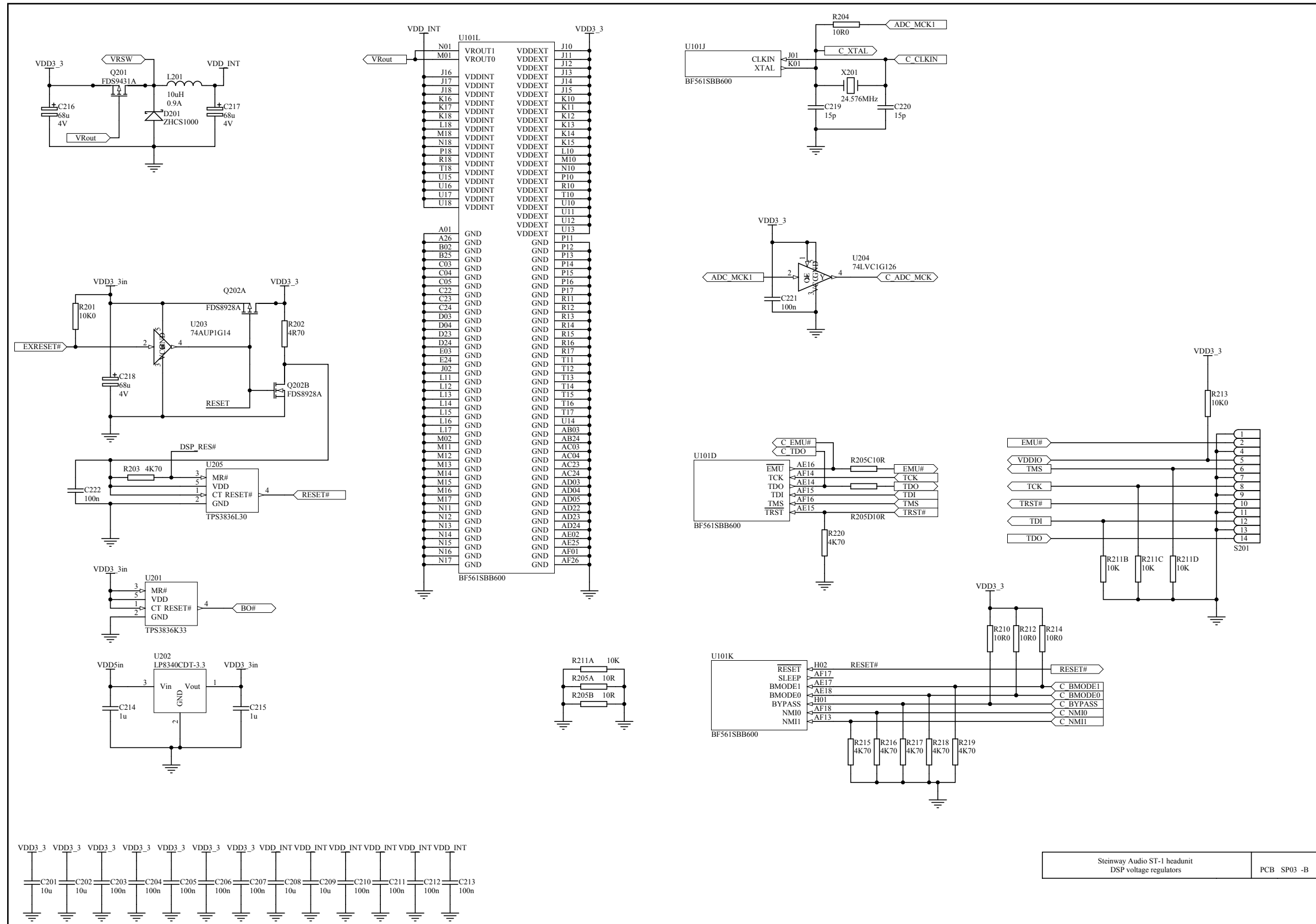
9 8 CHANNEL RP 320360 SCH 7 of 7

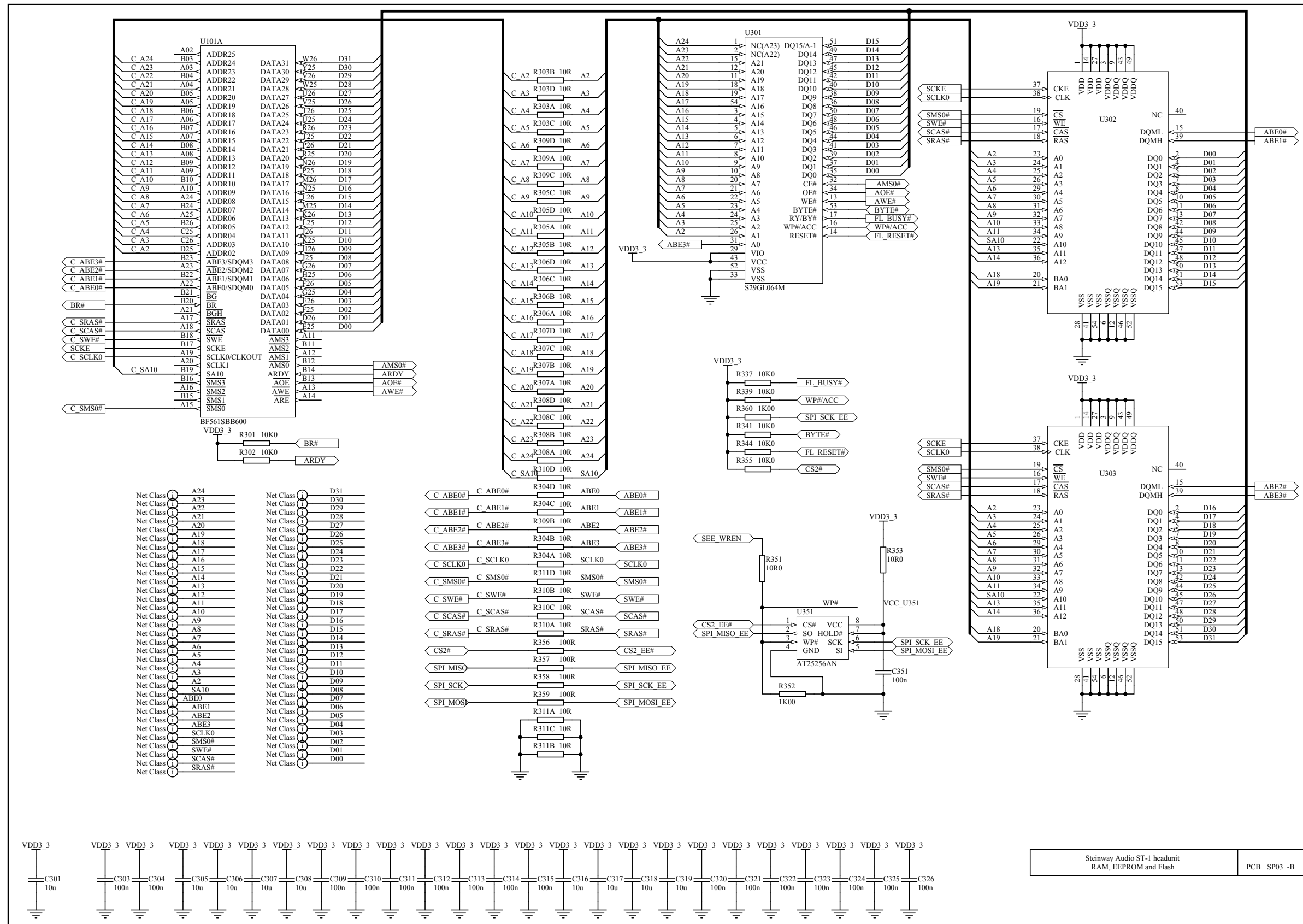


9 8 CHANNEL RP 320360 PCB

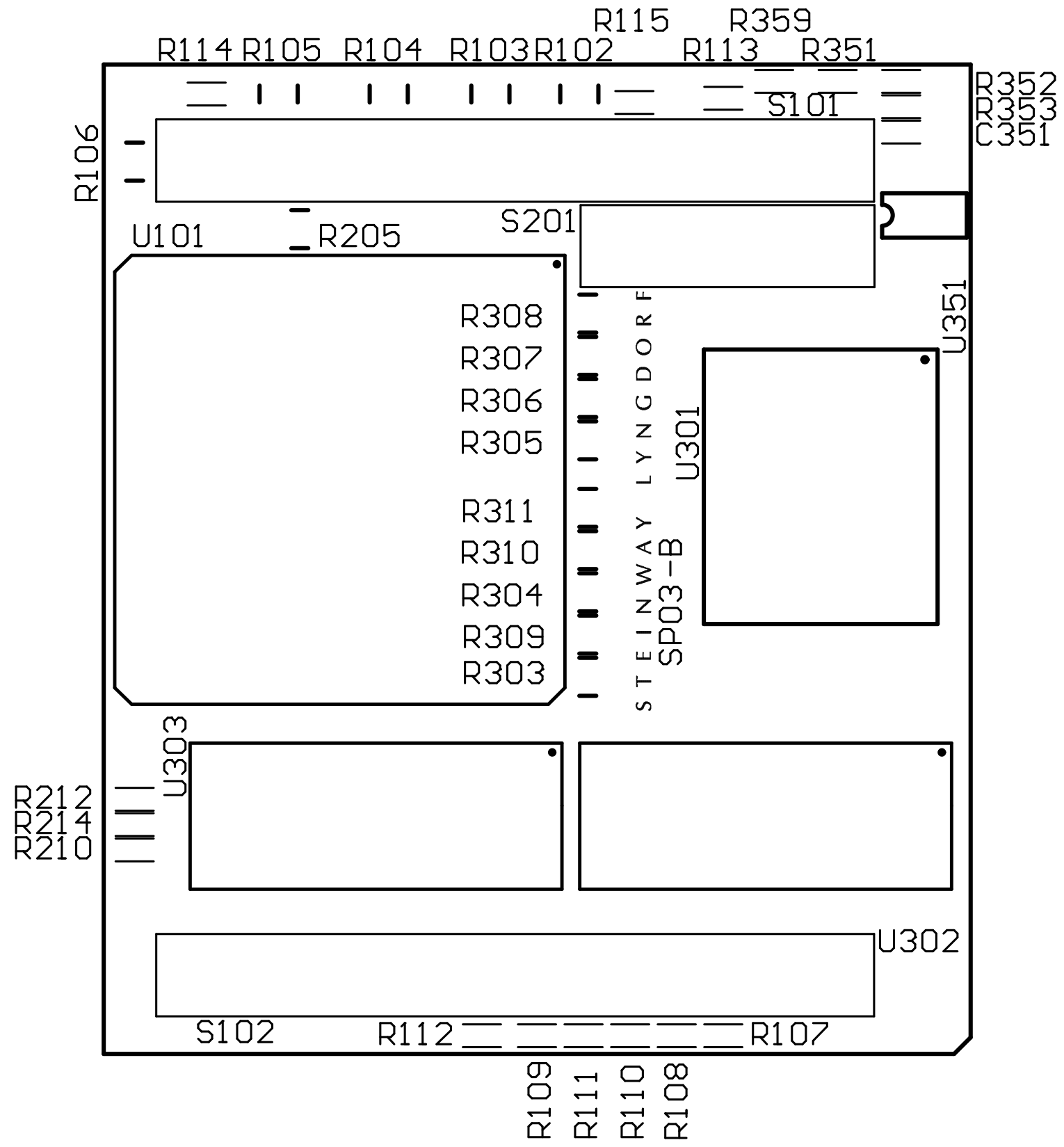


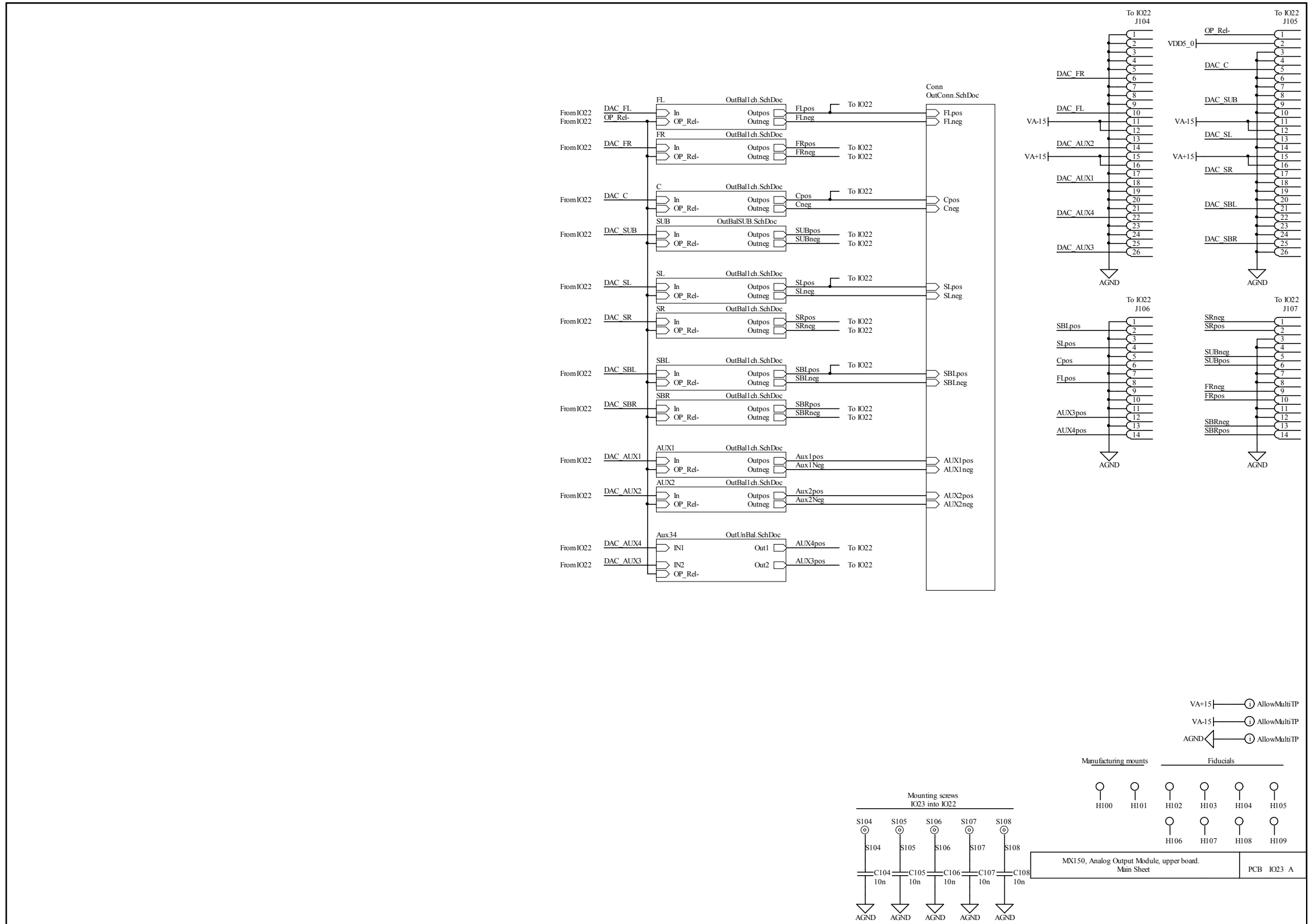




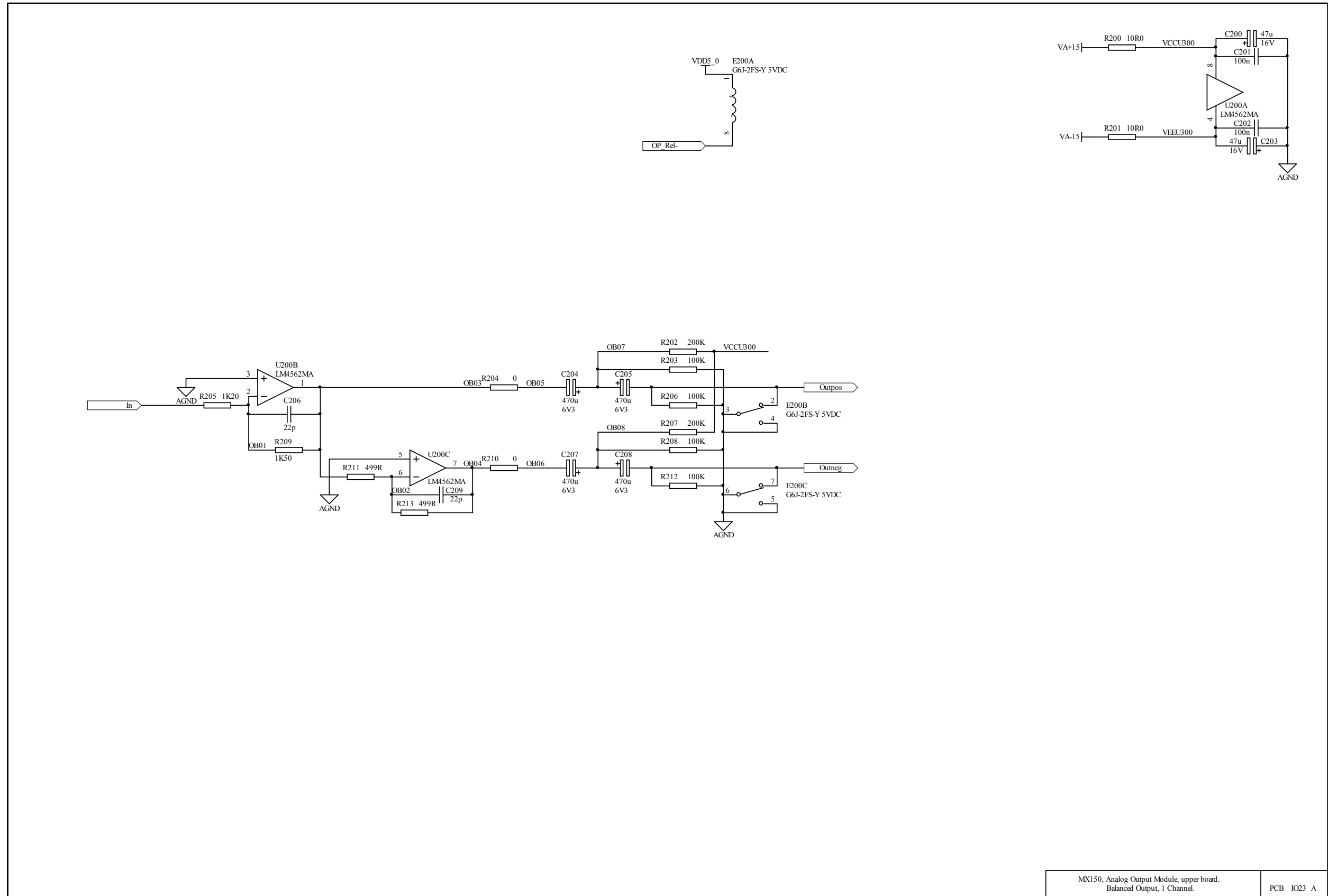


Steinway Audio ST-1 headunit
RAM, EEPROM and Flash
PCB SP03 -B



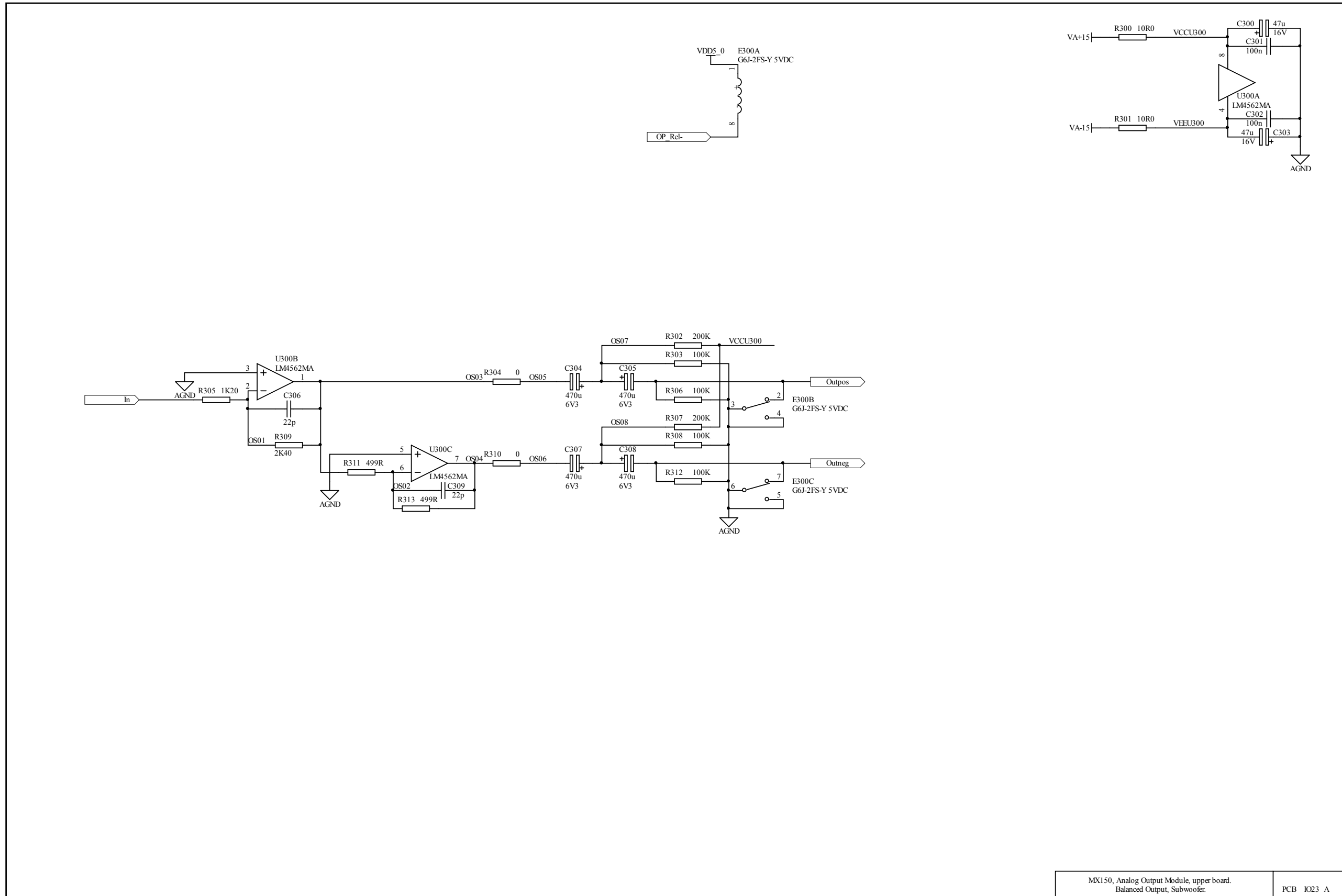


11 *OUT TOP* 320356 SCH 2 of 5

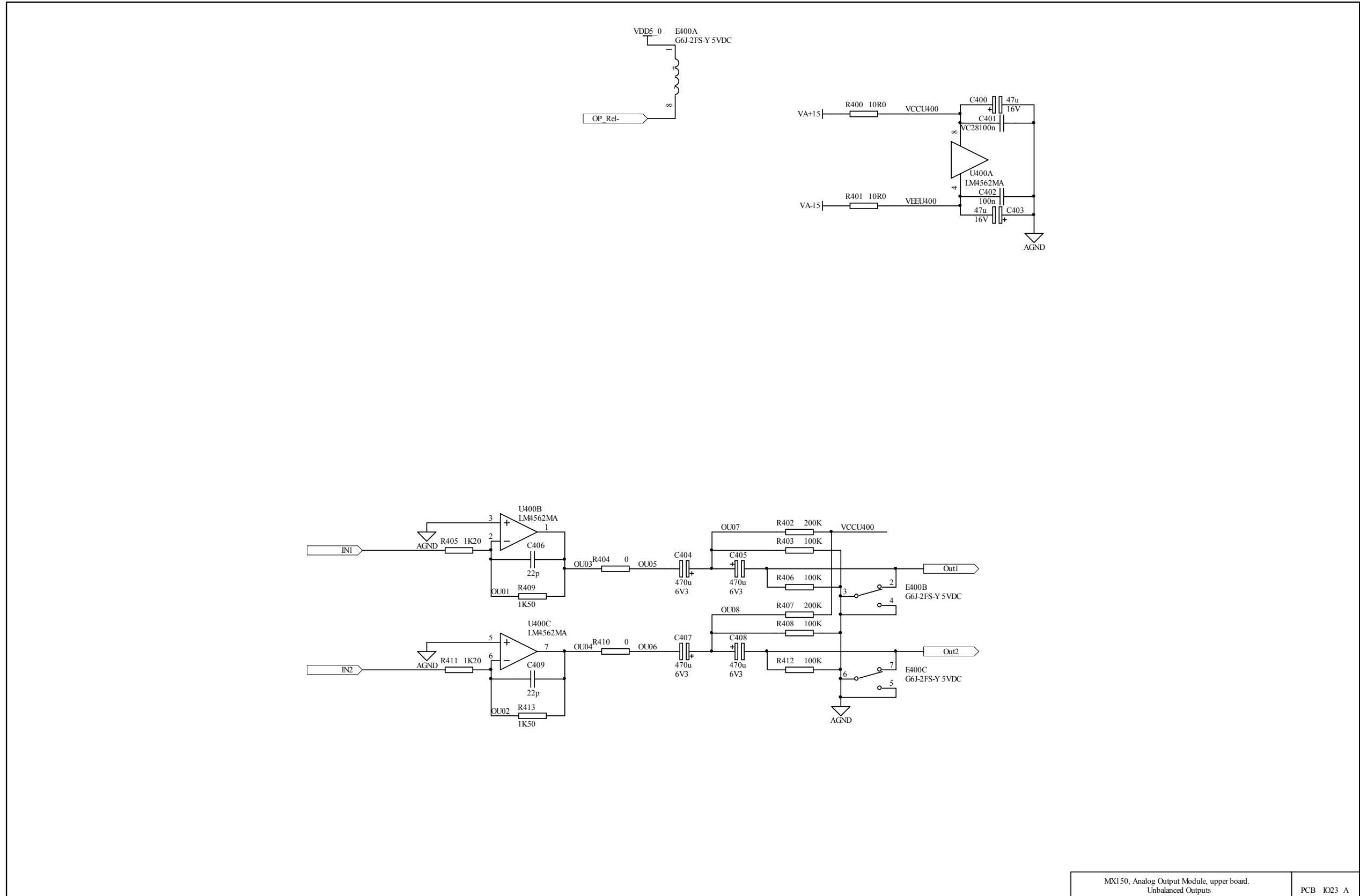


MX150, Analog Output Module, upper board.
Balanced Output, 1 Channel. PCB IO23 A

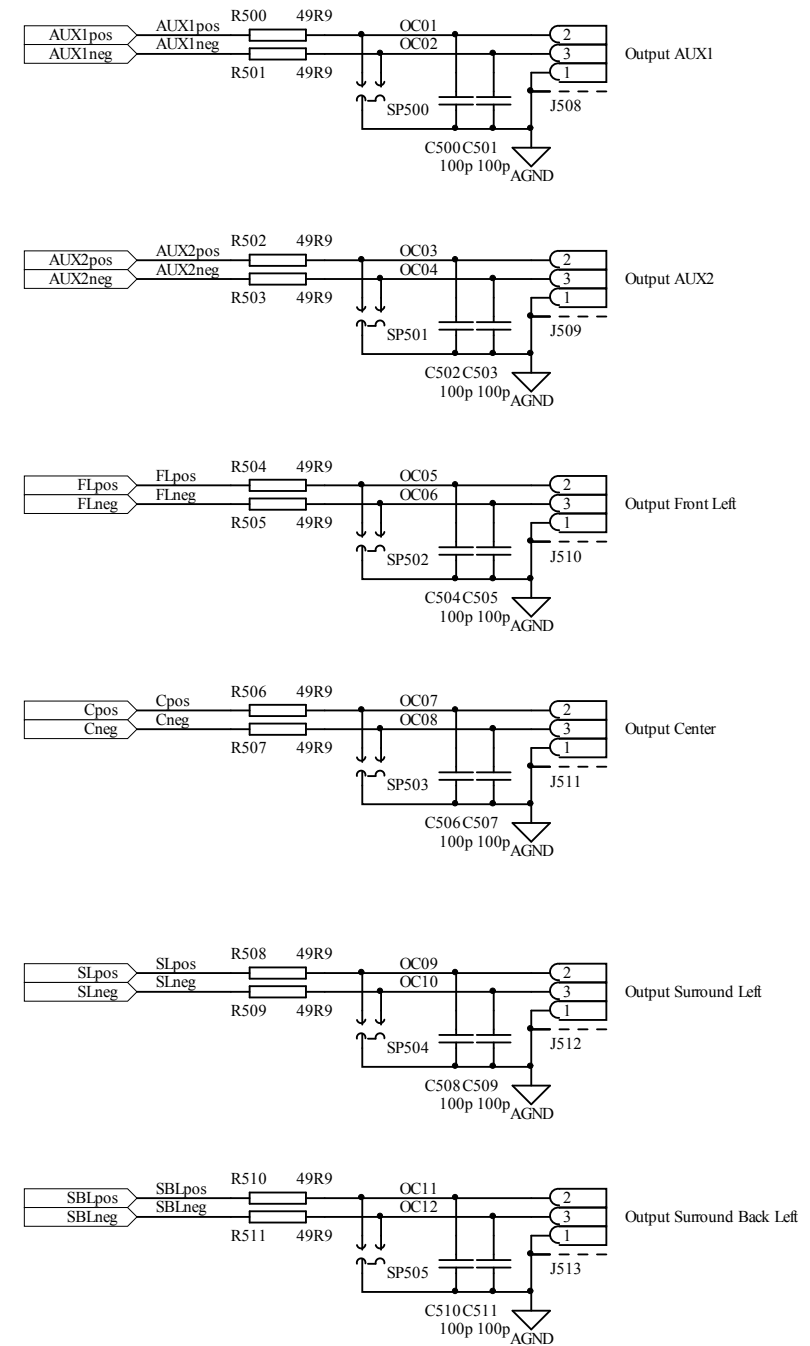
11 *OUT TOP* 320356 SCH 3 of 5



11 *OUT TOP* 320356 SCH 4 of 5



11 *OUT TOP* 320356 SCH 5 of 5

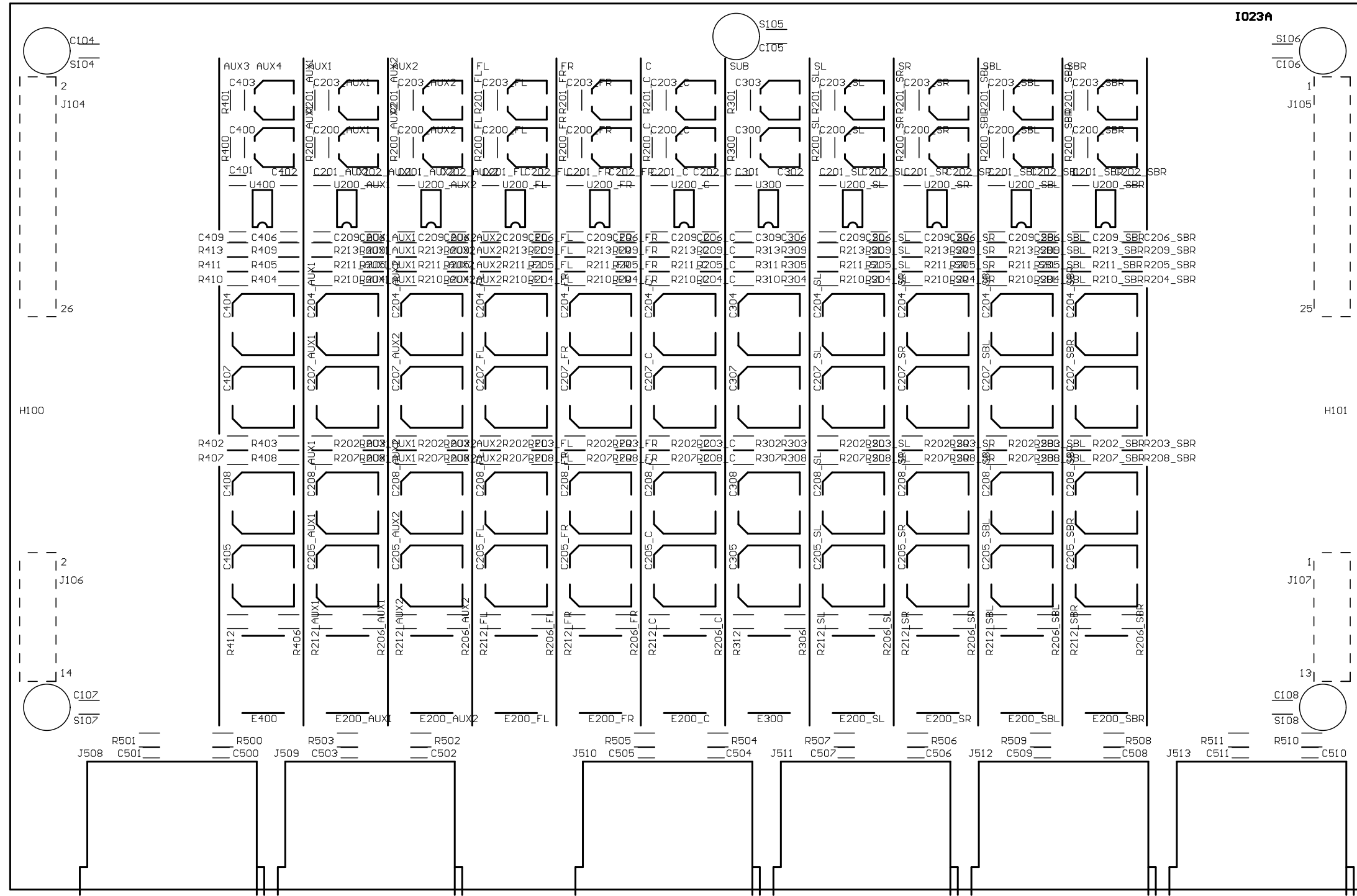


(MX-150 back panel is AGND)

MX150, Analog Output Module, upper board.
Output Connectors.

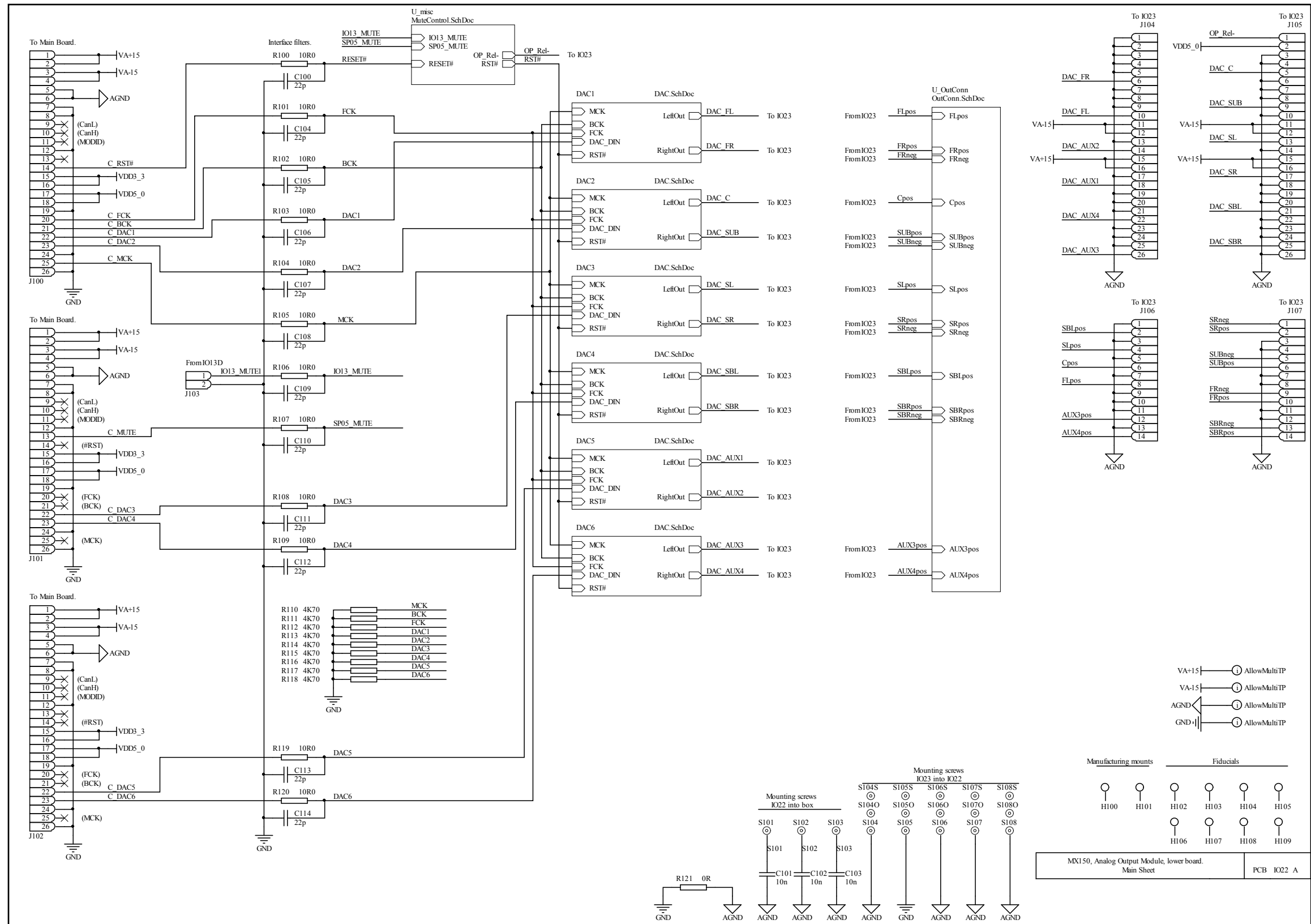
PCB IO23 A

11 OUT TOP 320356 PCB

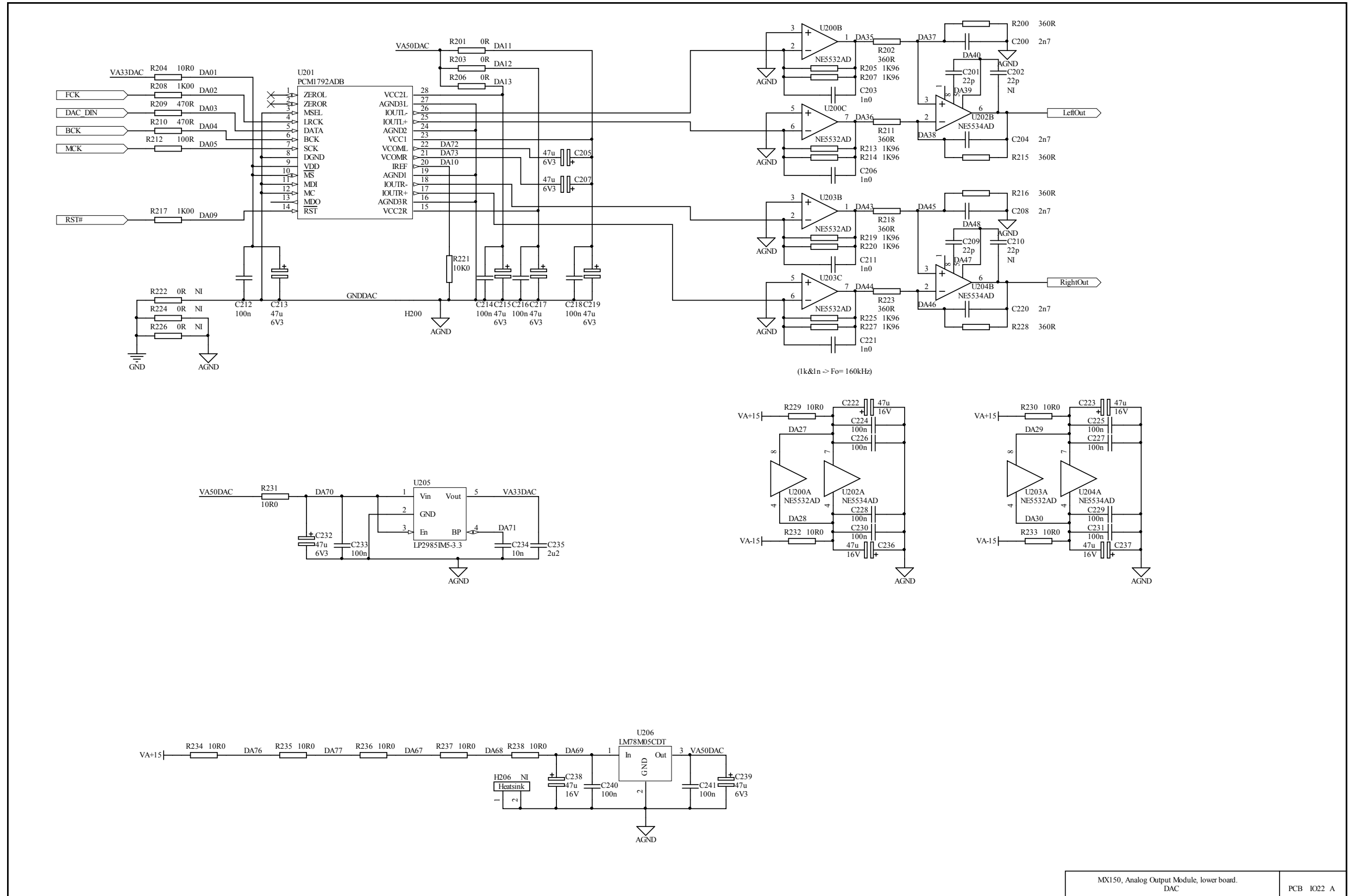


J104, J105, J106, J107 mounted on solder side.

12 OUTPUT BOTTOM 320355 SCH 1 of 4

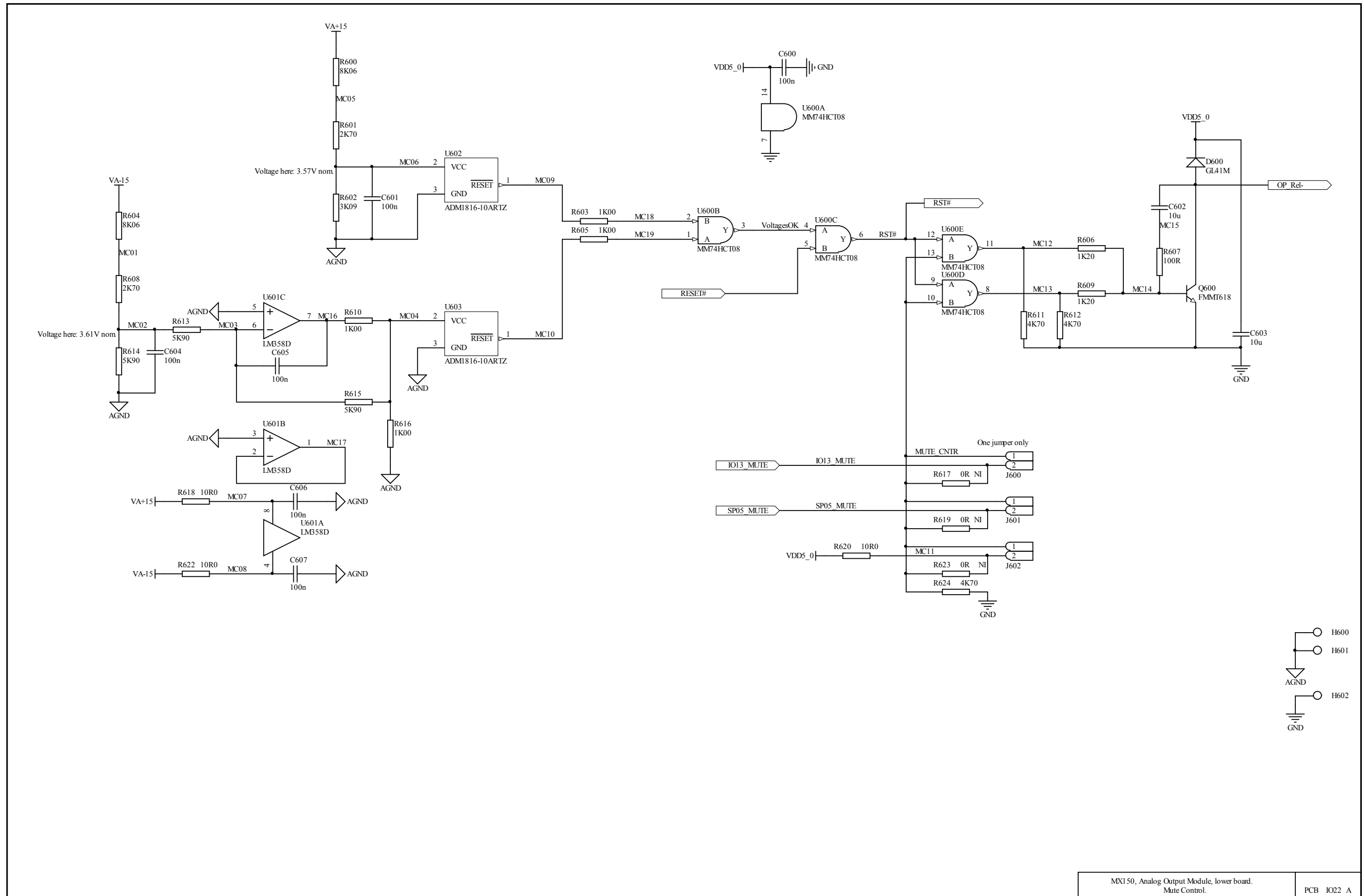


12 OUTPUT BOTTOM 320355 SCH 2 of 4

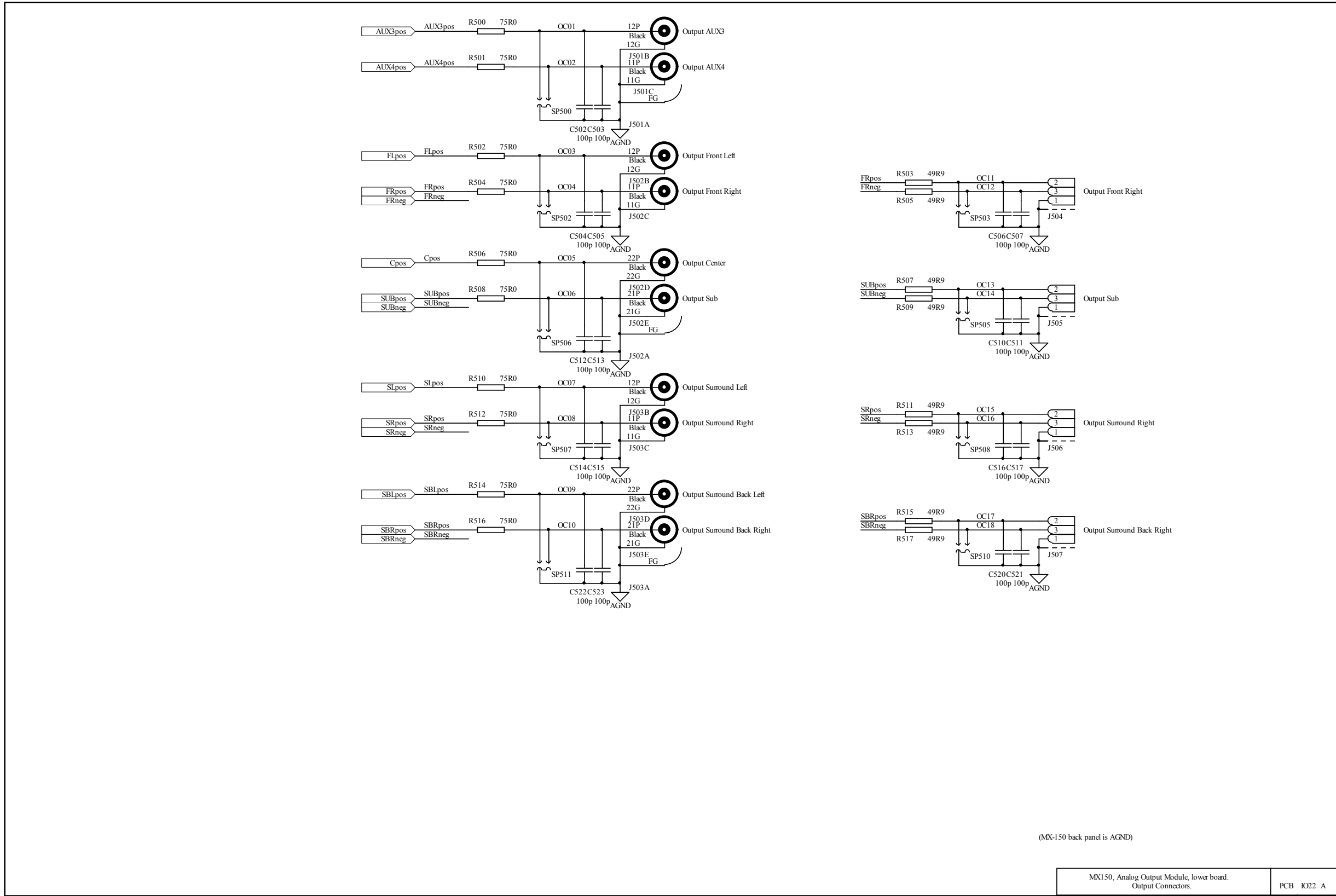


MX150, Analog Output Module, lower board. DAC PCB IO22 A

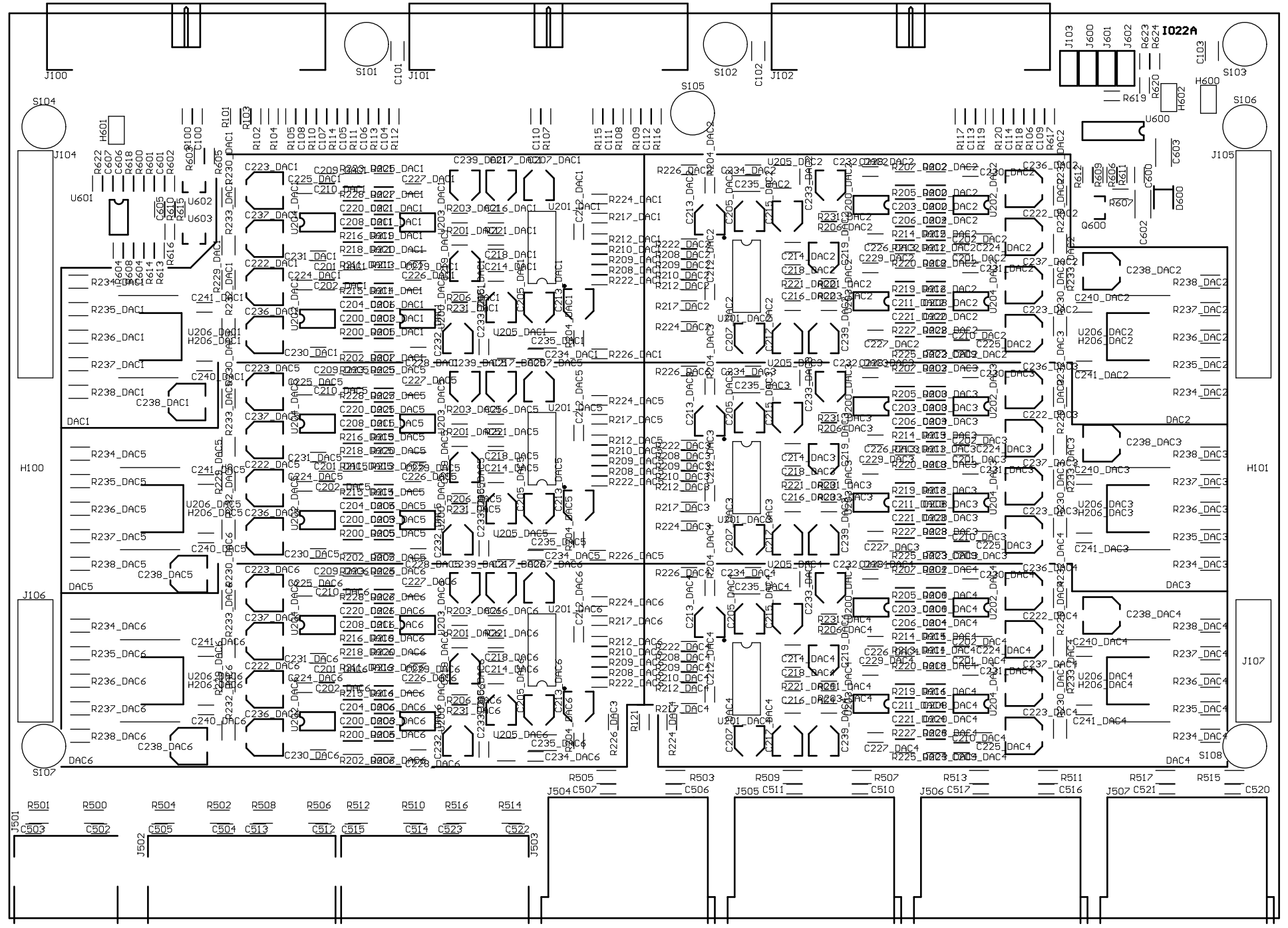
12 OUTPUT BOTTOM 320355 SCH 3 of 4

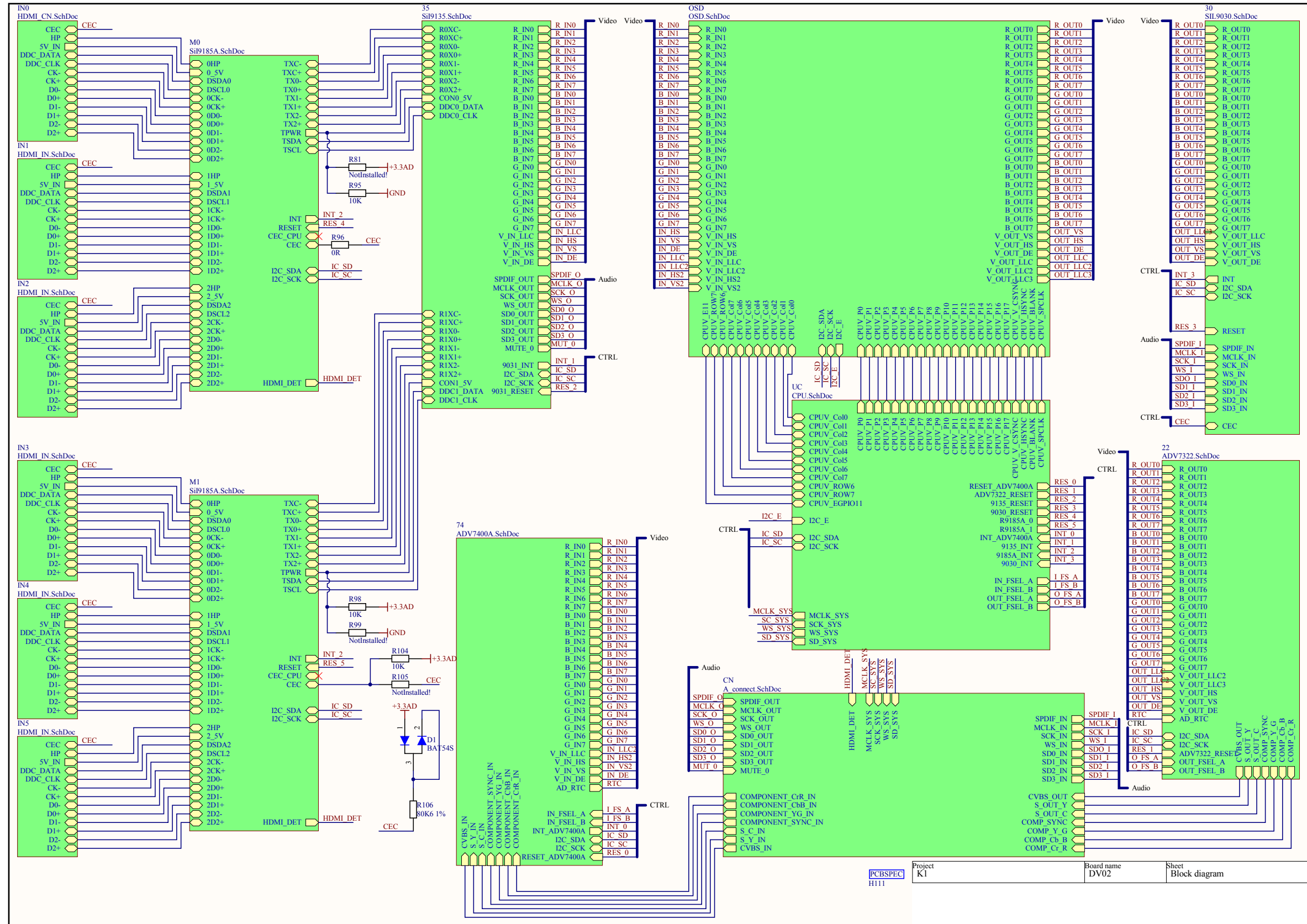


12 OUTPUT BOTTOM 320355 SCH 4 of 4

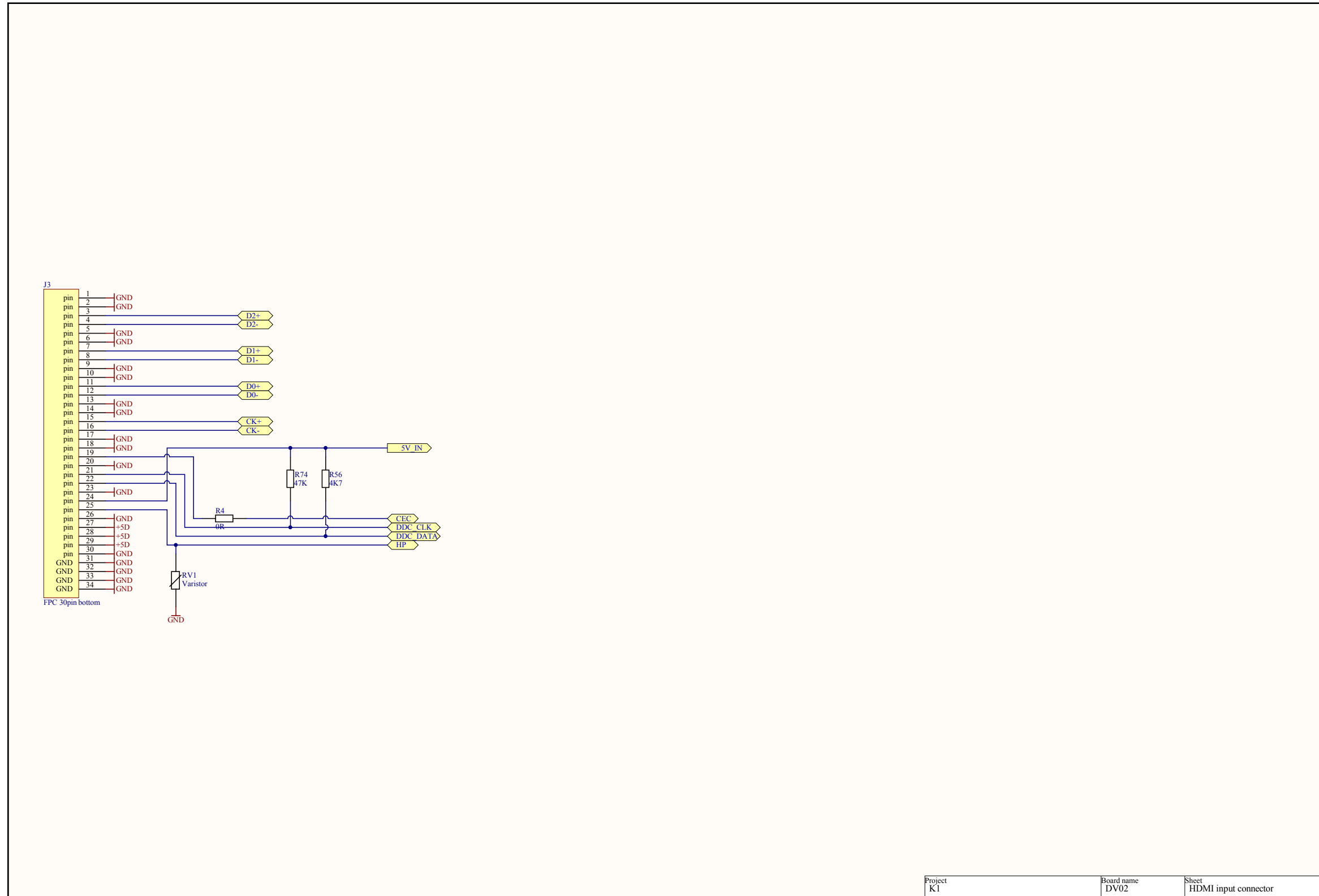


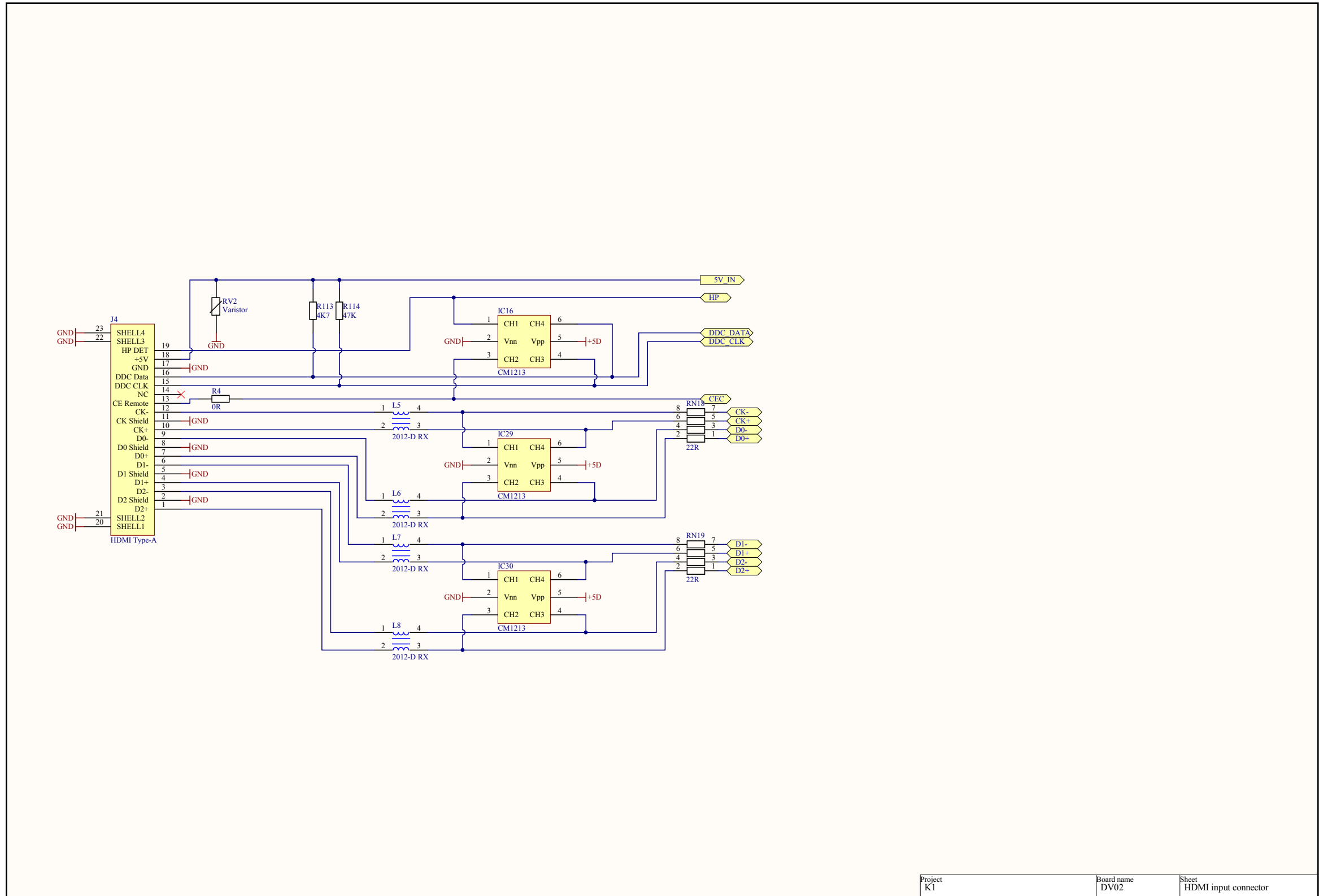
12 OUTPUT BOTTOM 320355 PCB



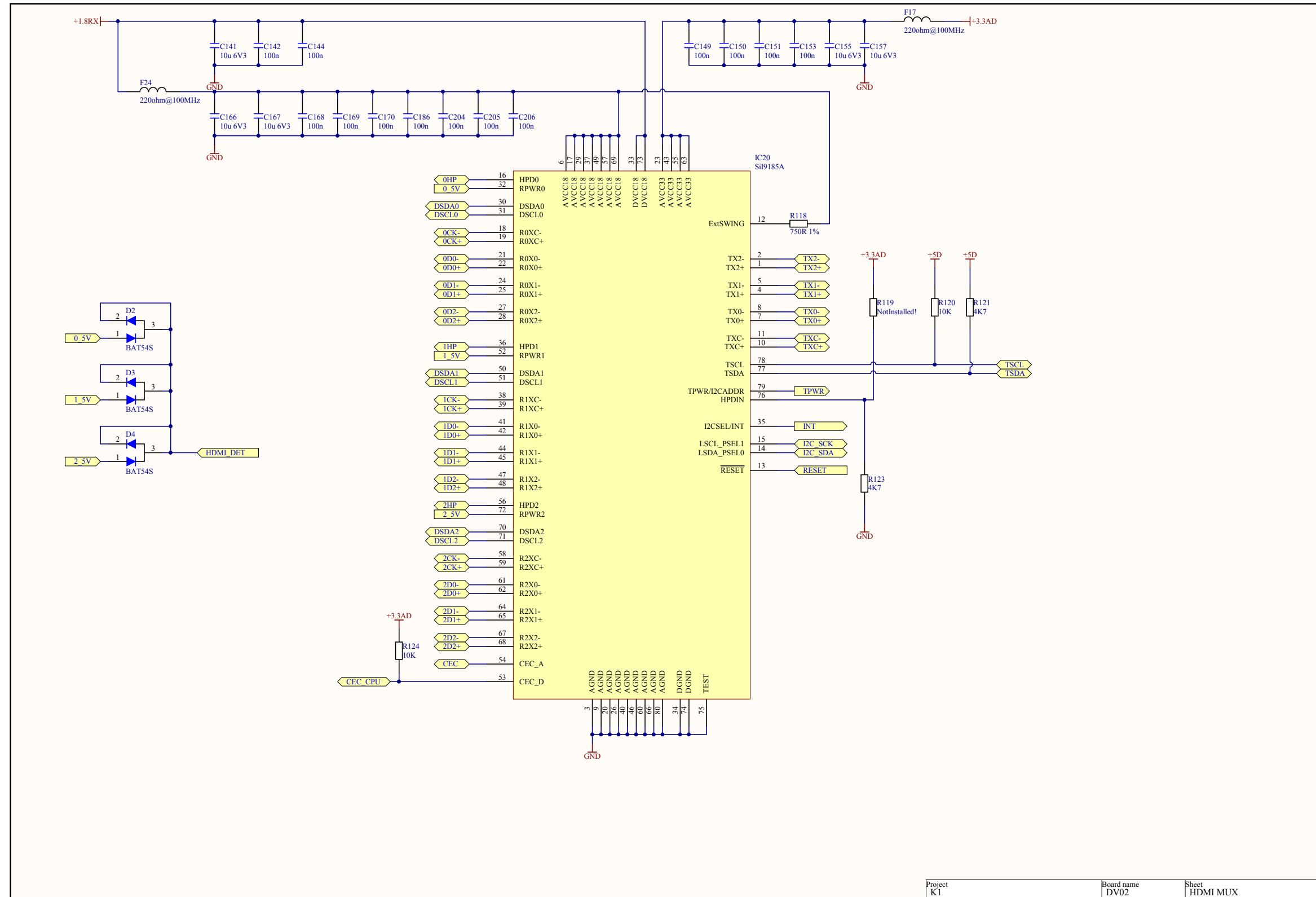


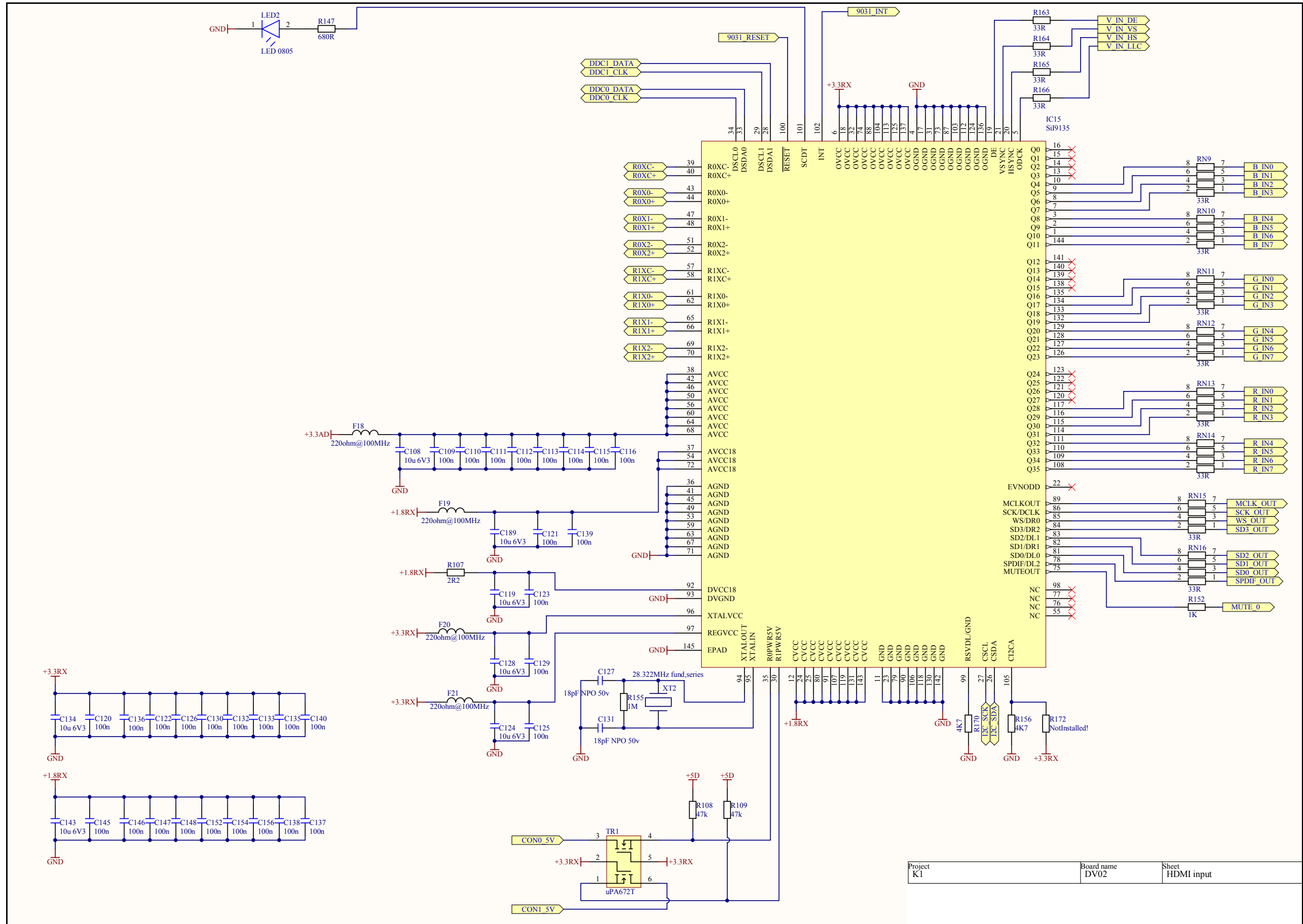
13 HDMI 320347 SCH 2 of 11



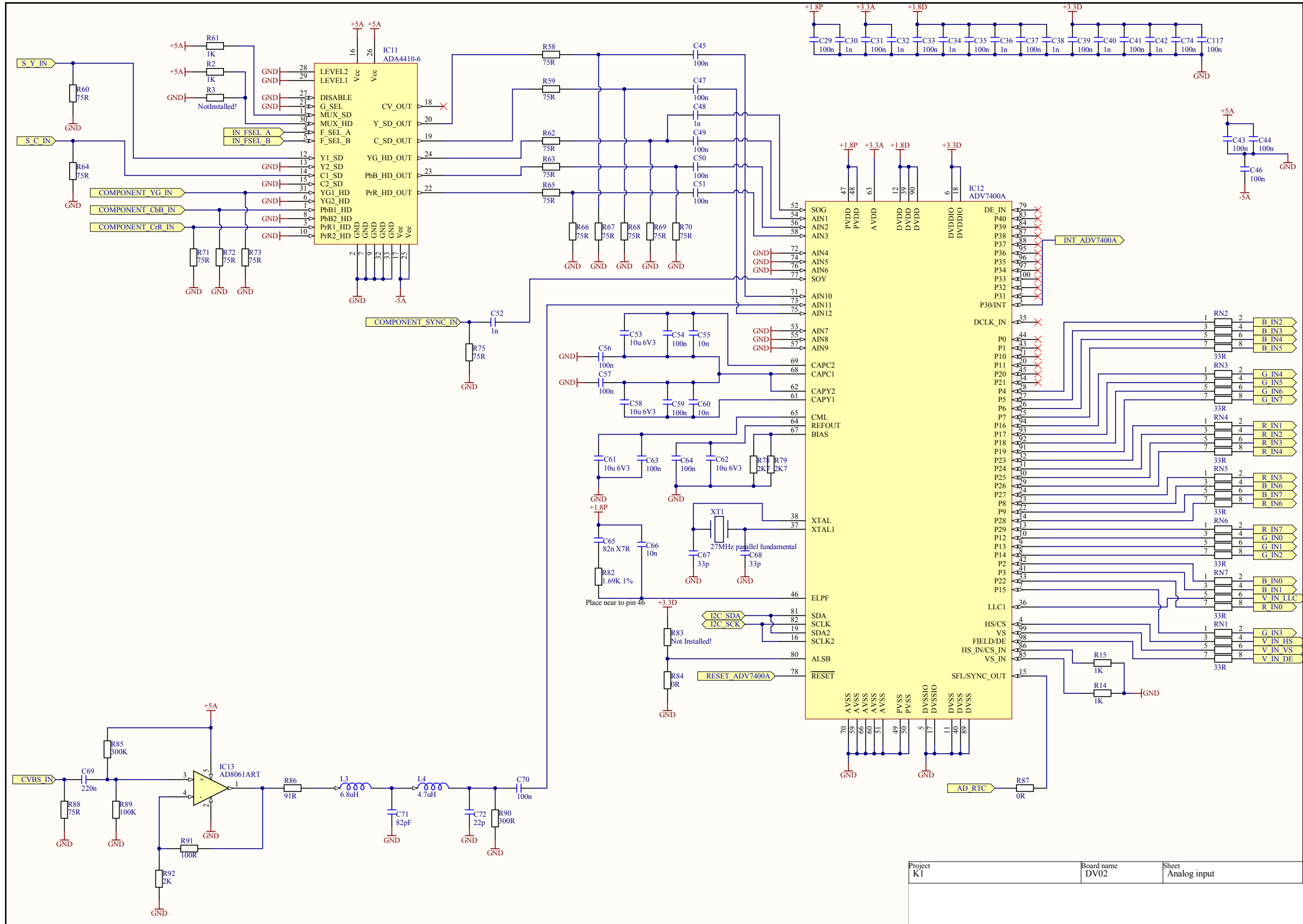


13 HDMI 320347 SCH 4 of 11

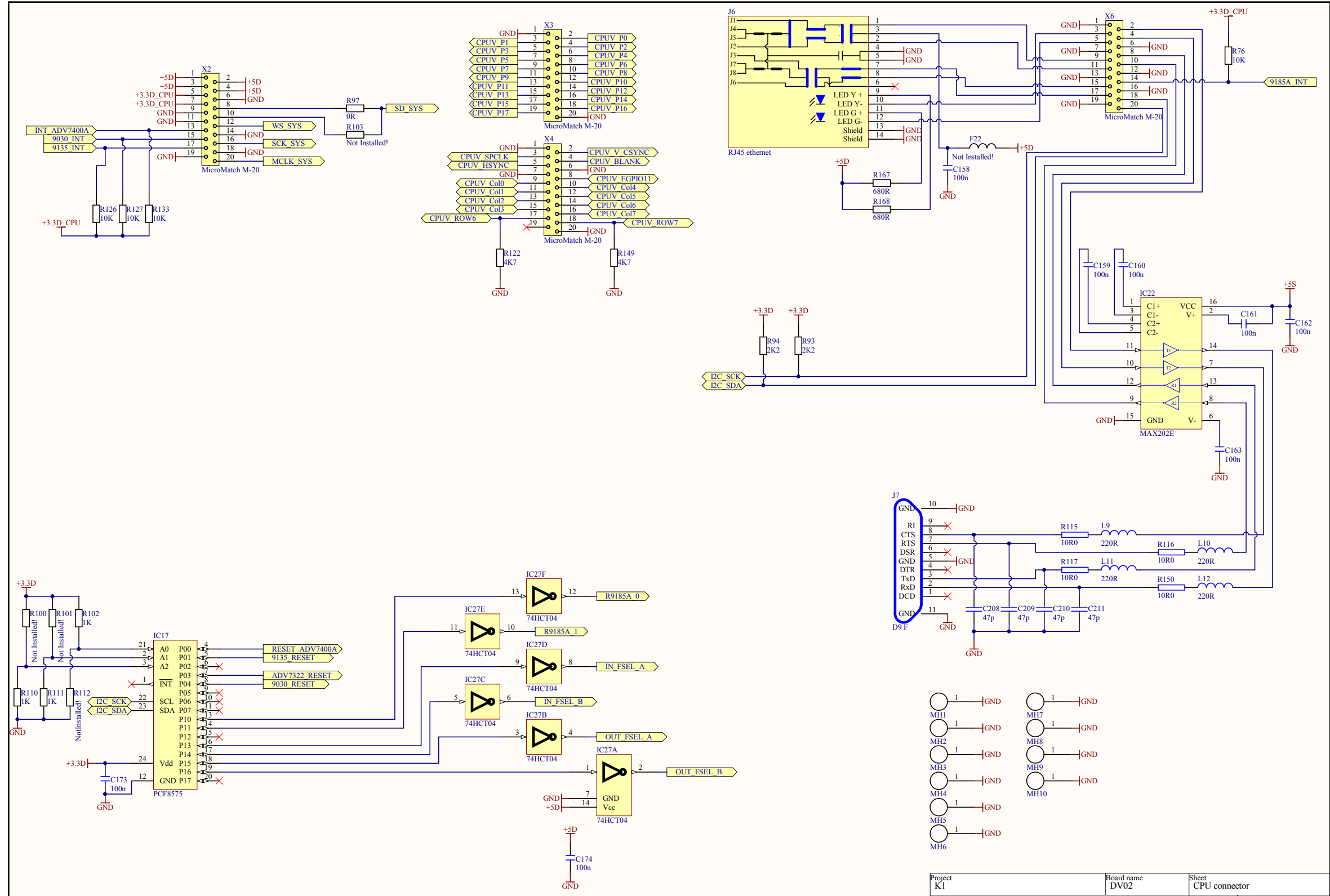




13 HDMI 320347 SCH 6 of 11

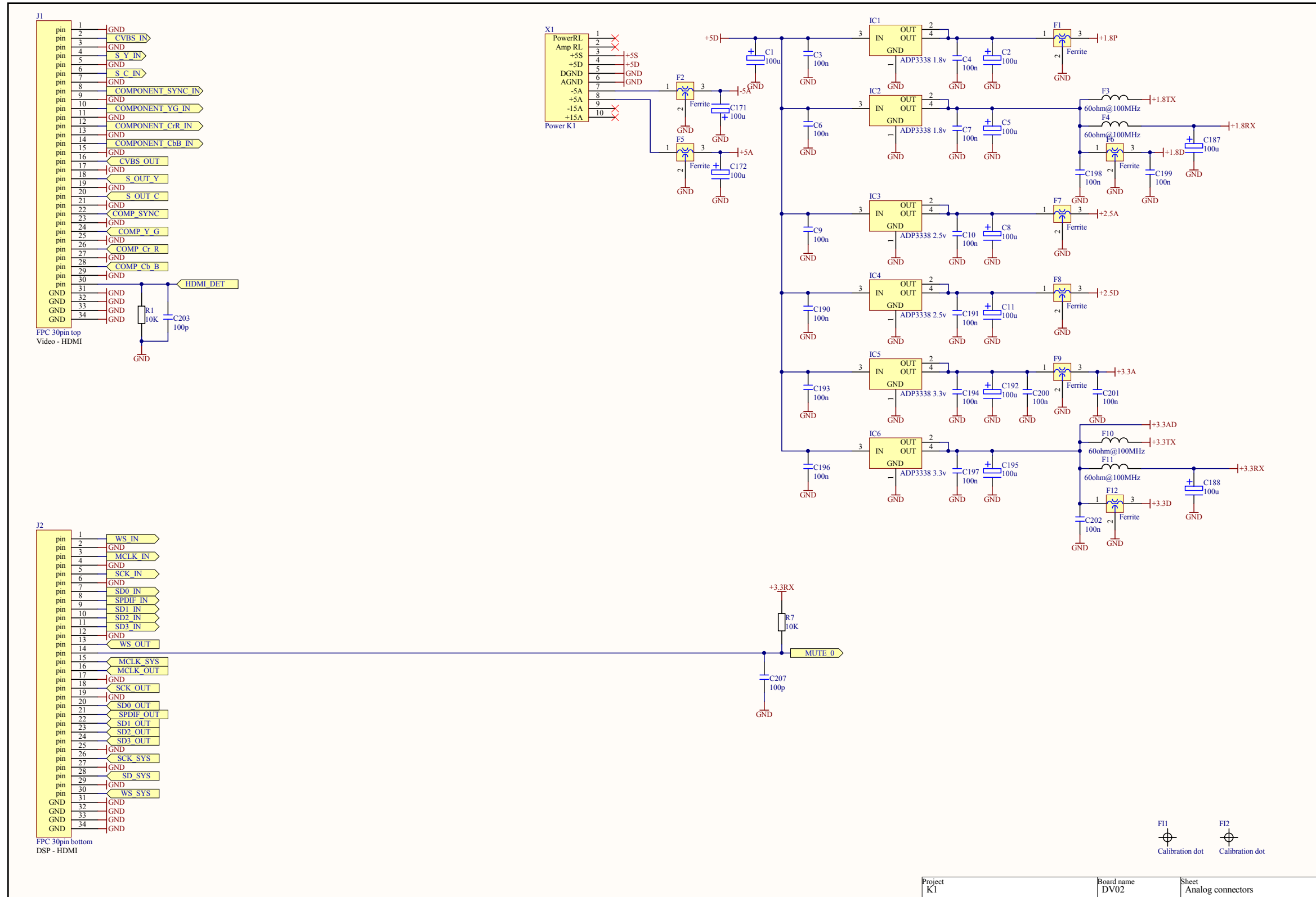


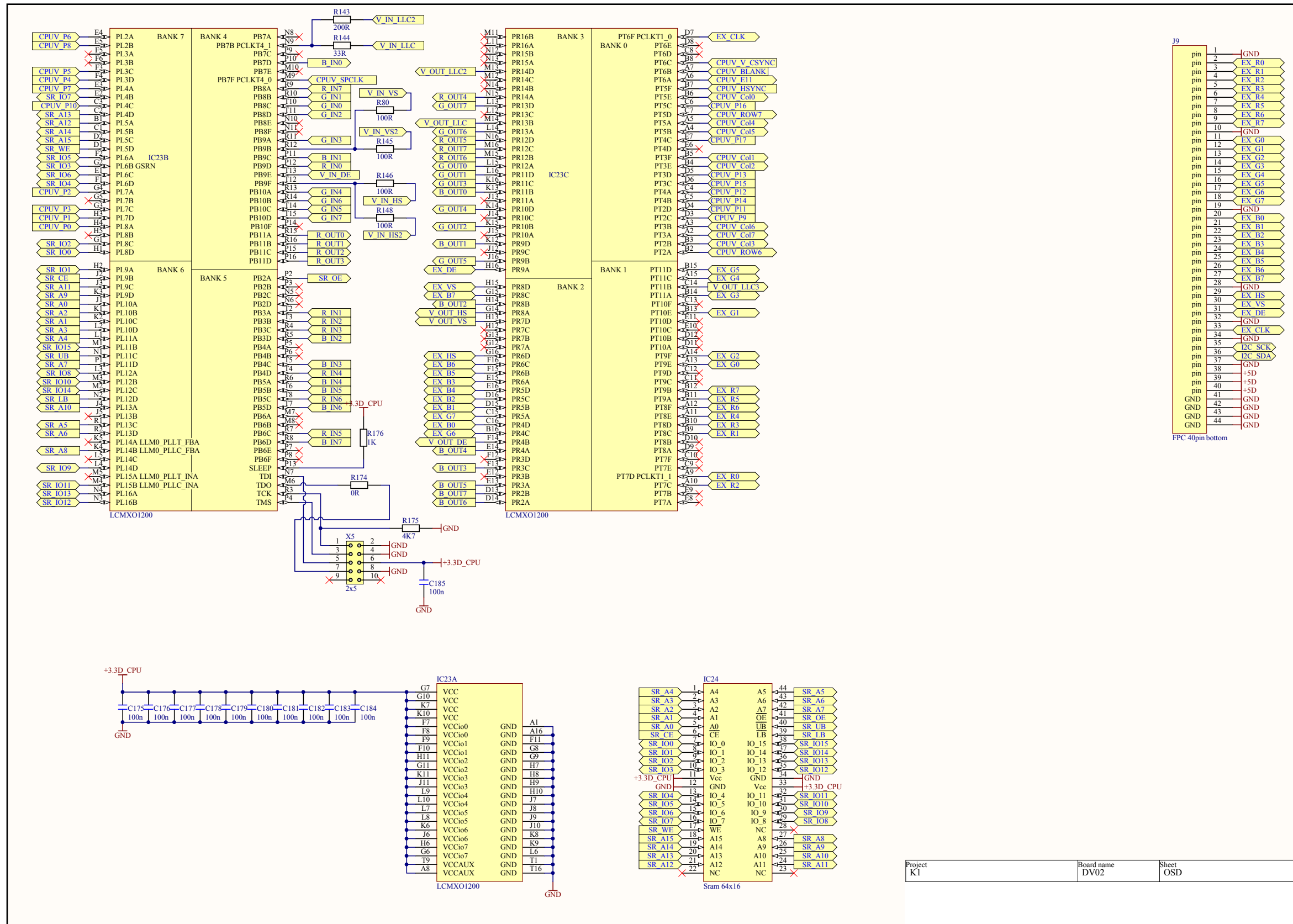
Project	Board name	Sheet
K1	DV02	Analog input

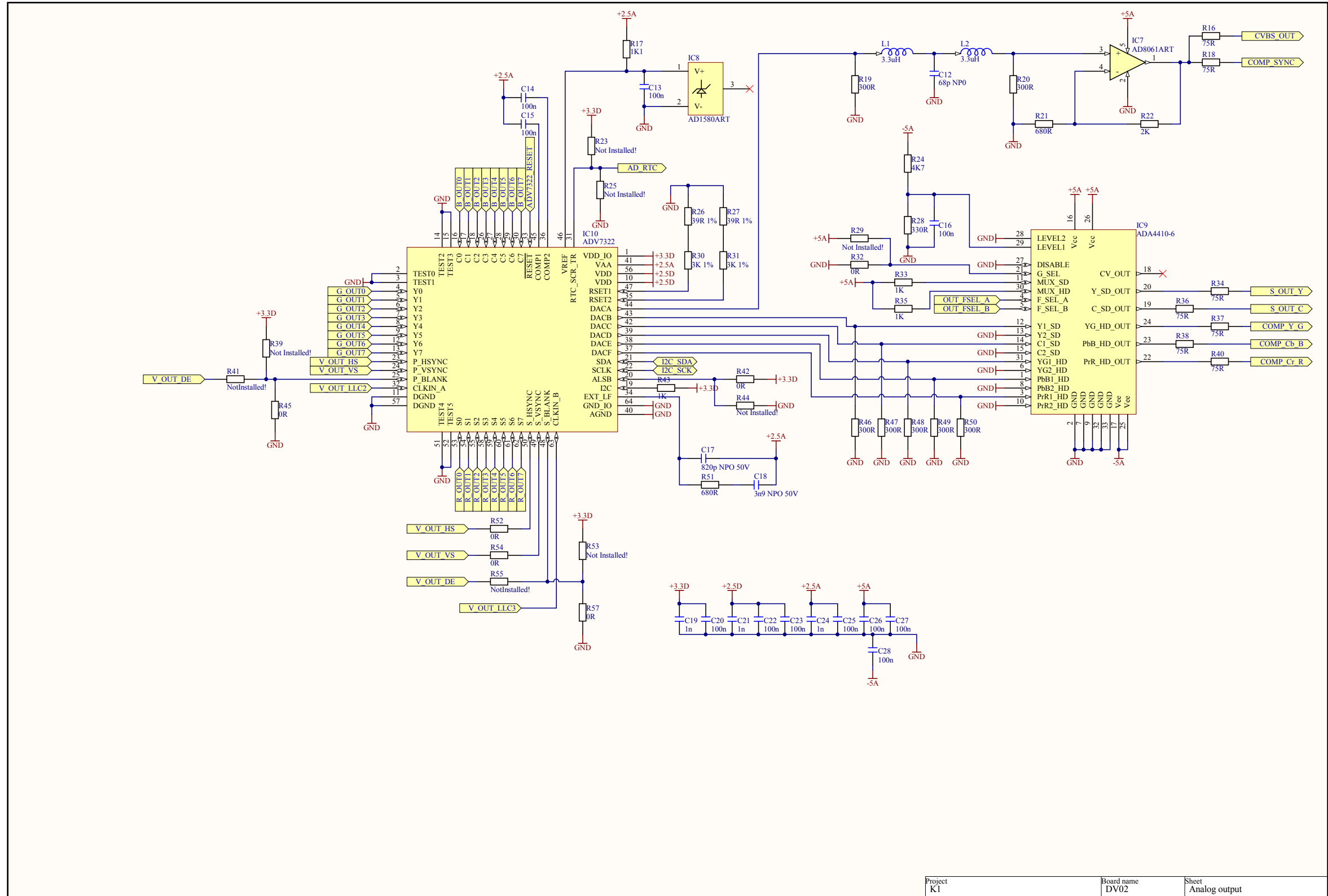


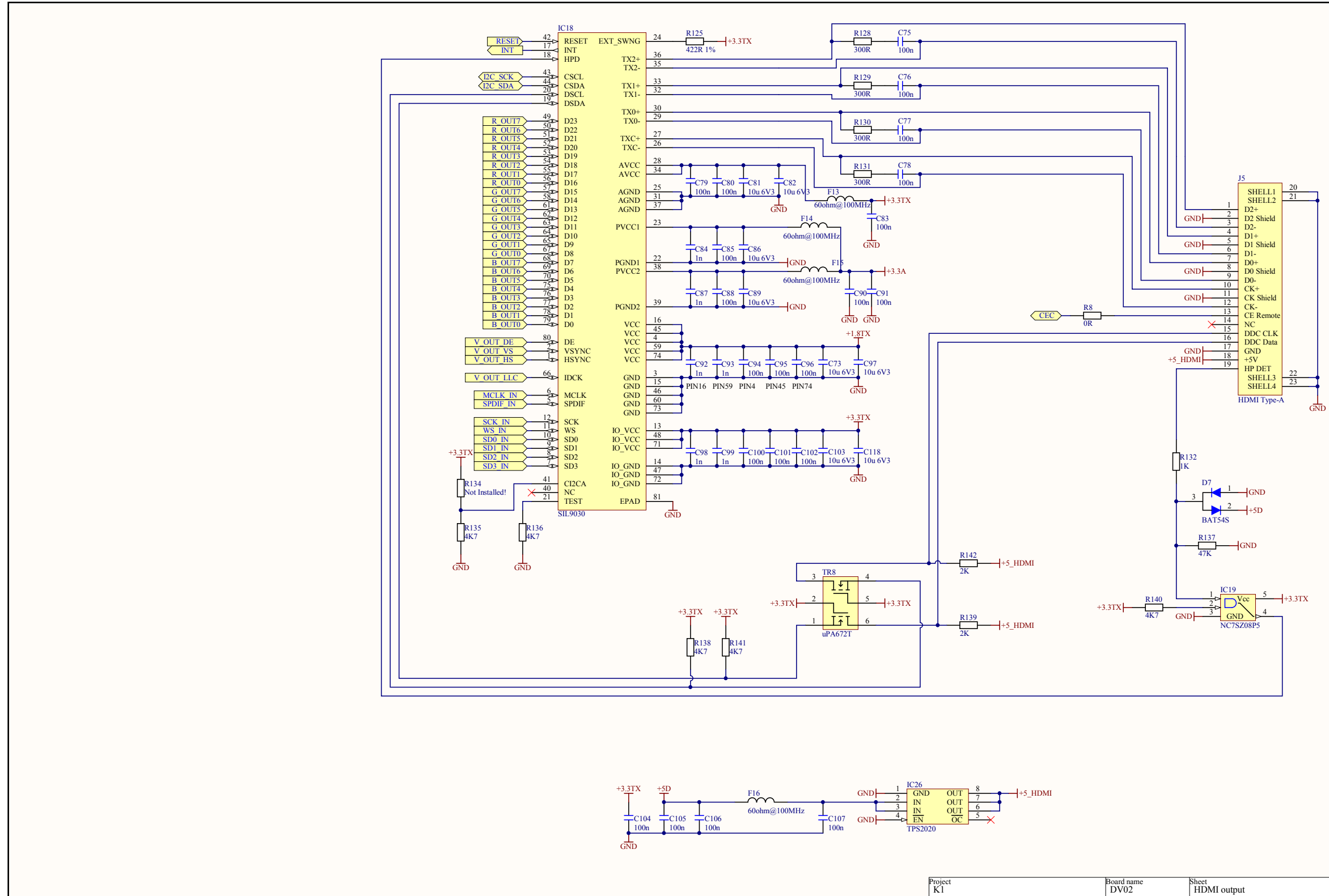
Project K1	Board name DV02	Sheet CPU connector
---------------	--------------------	------------------------

13 HDMI 320347 SCH 8 of 11

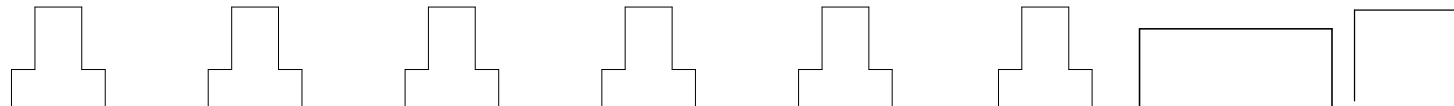
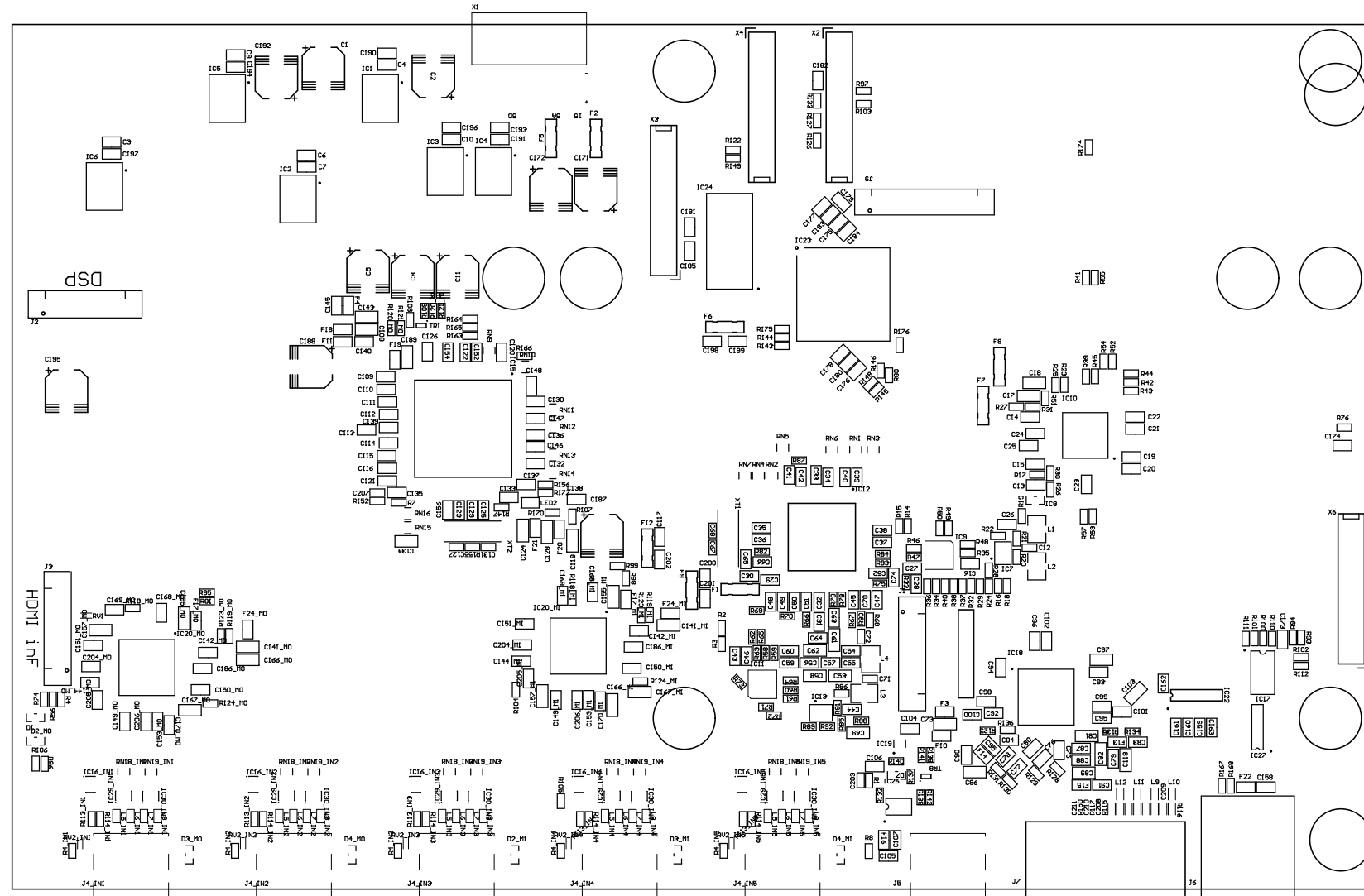


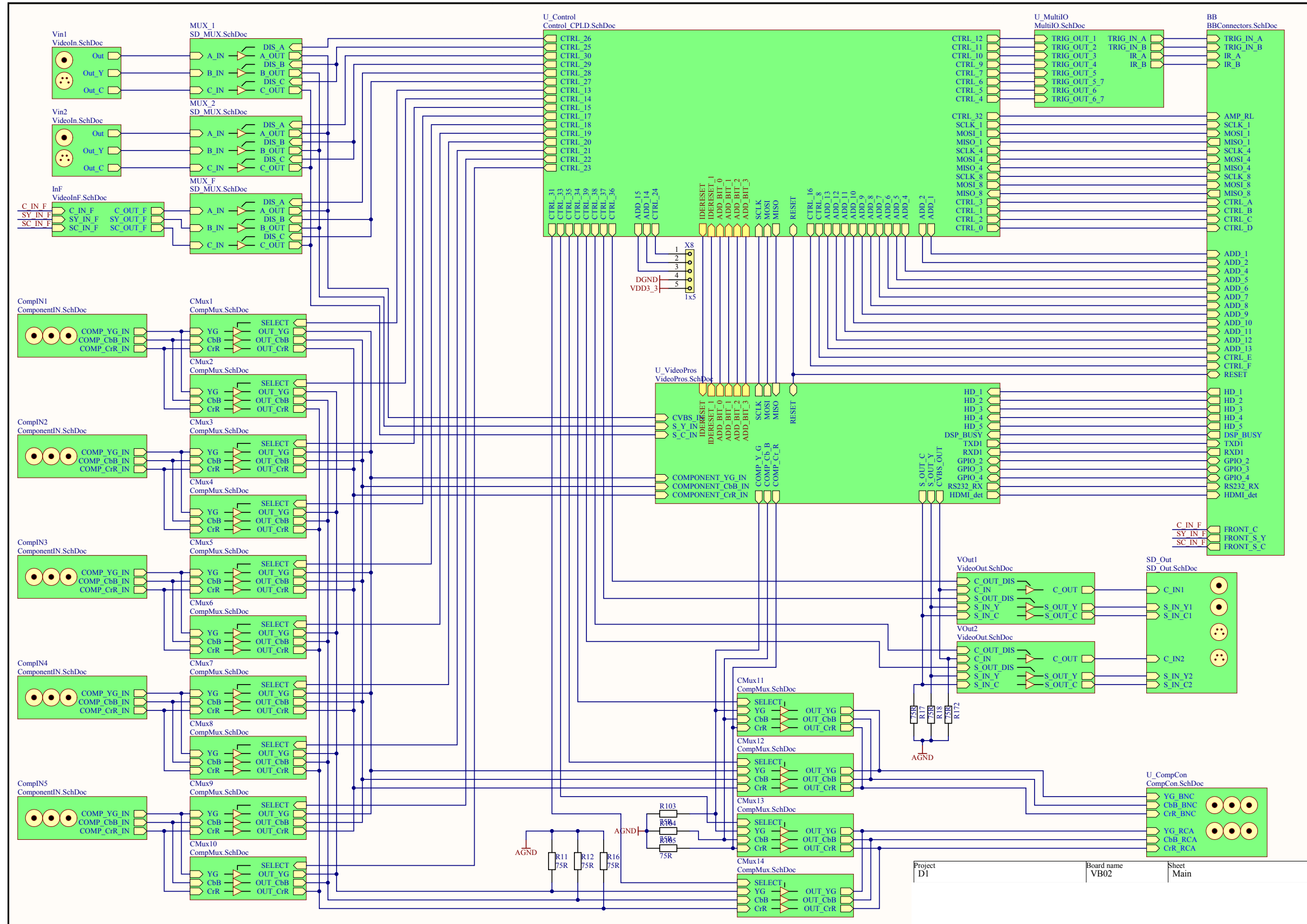


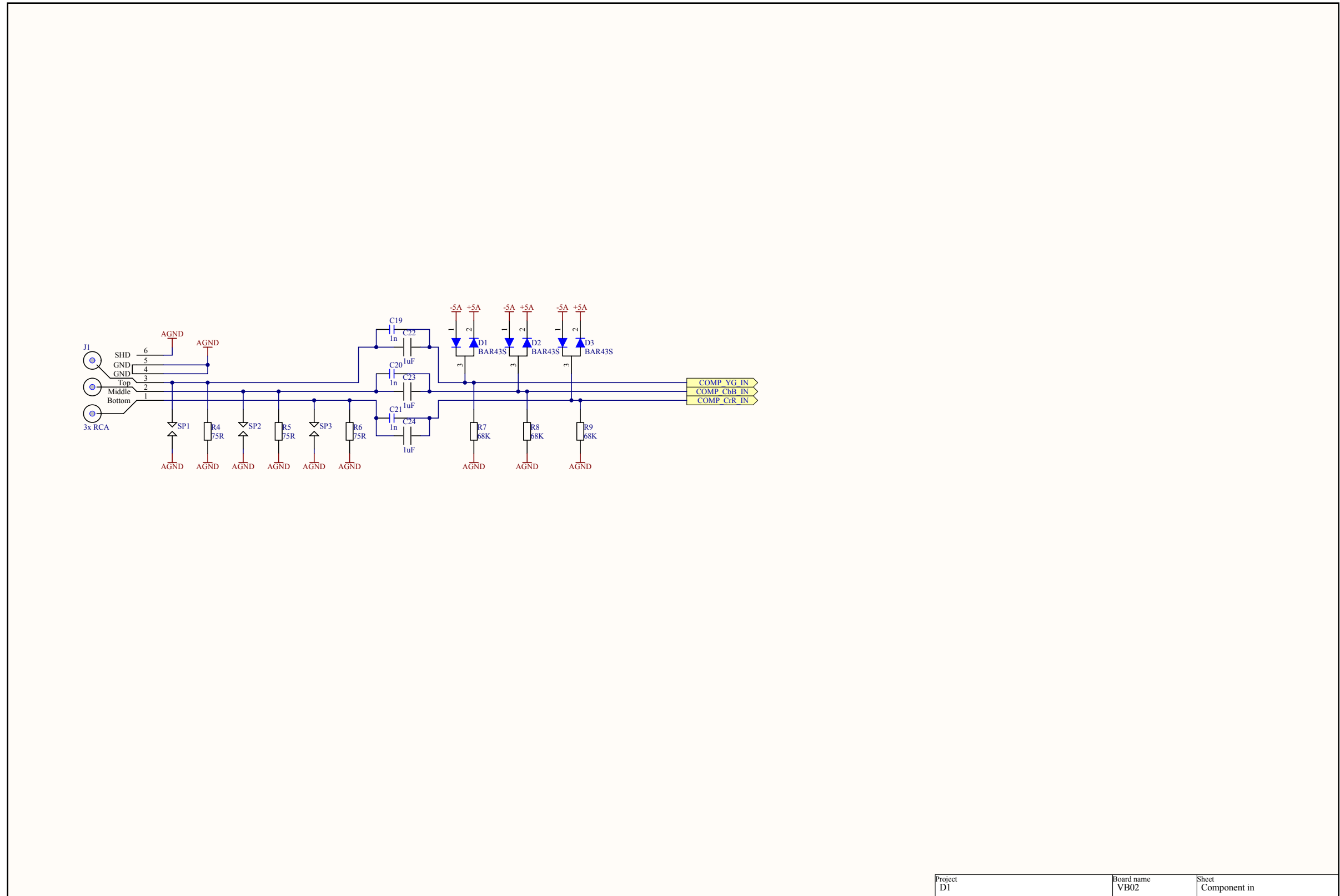


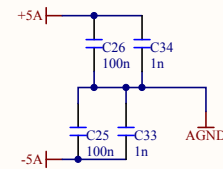
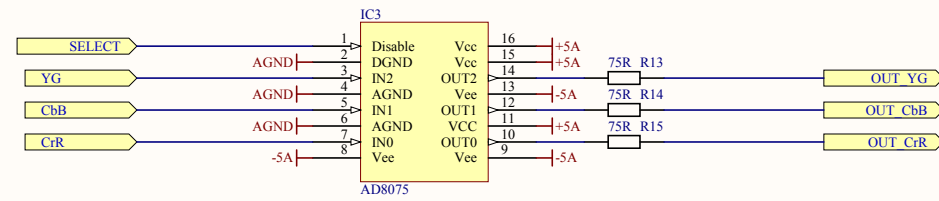


13 HDMI 320347 PCB

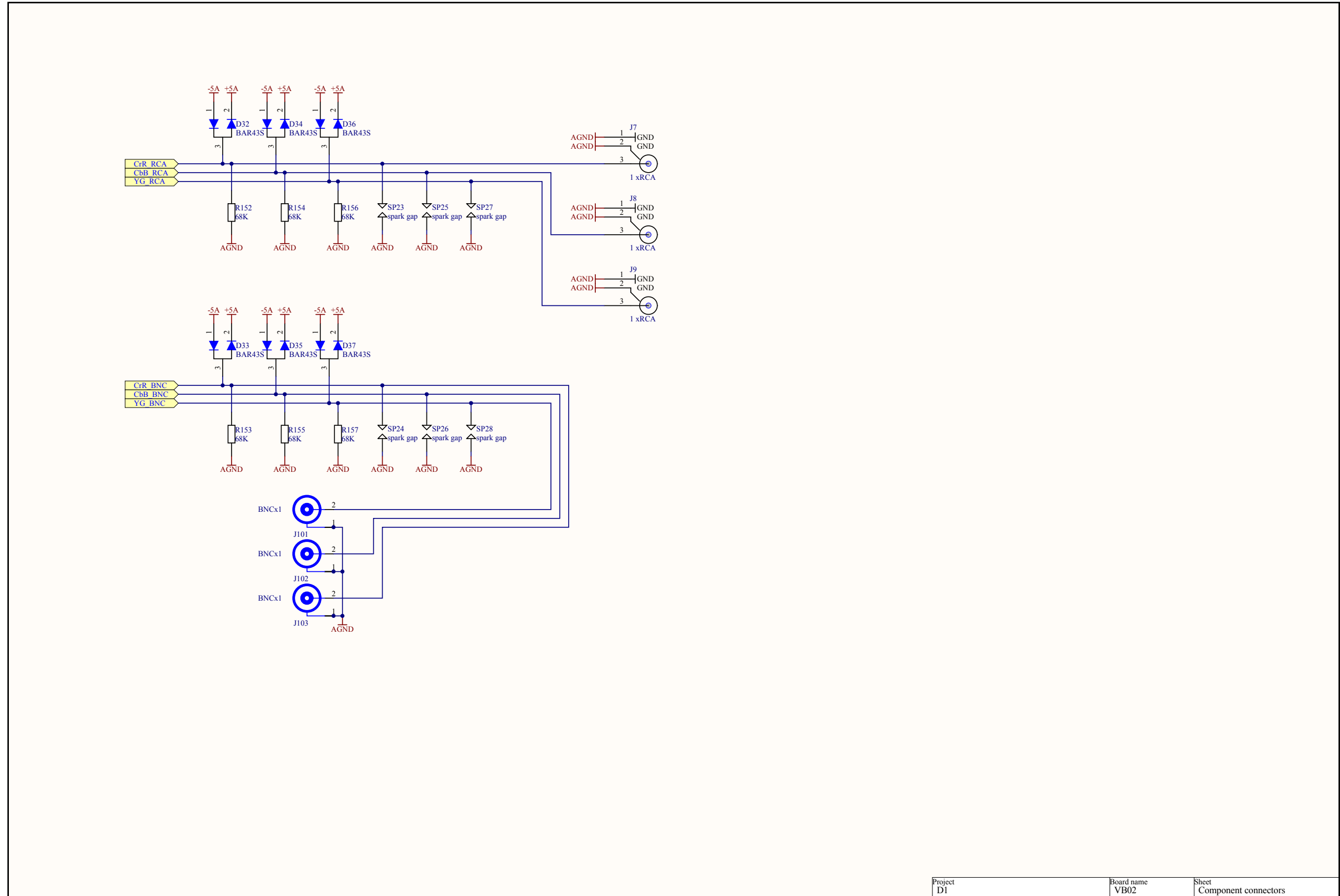


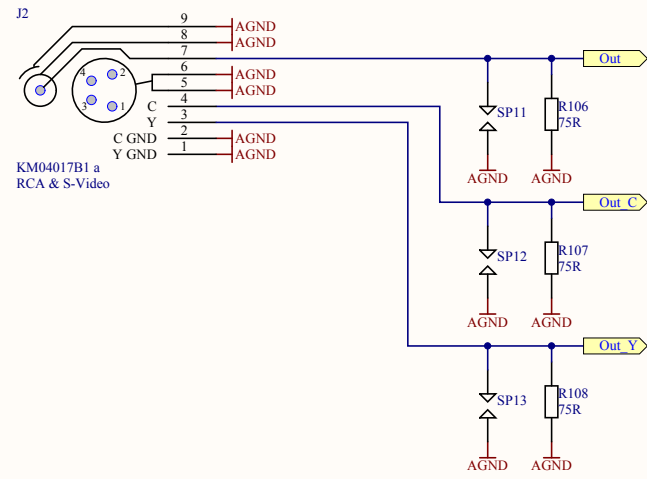


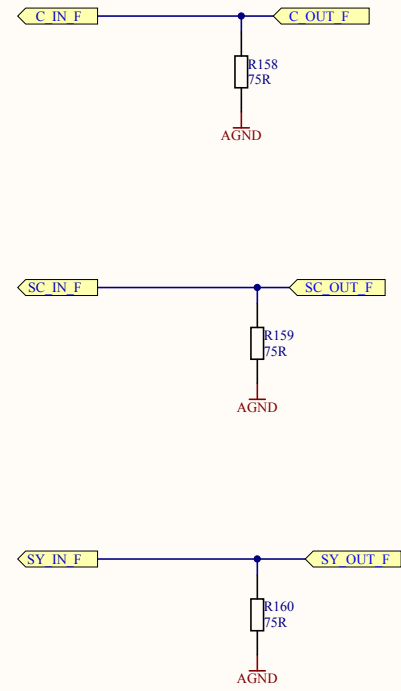




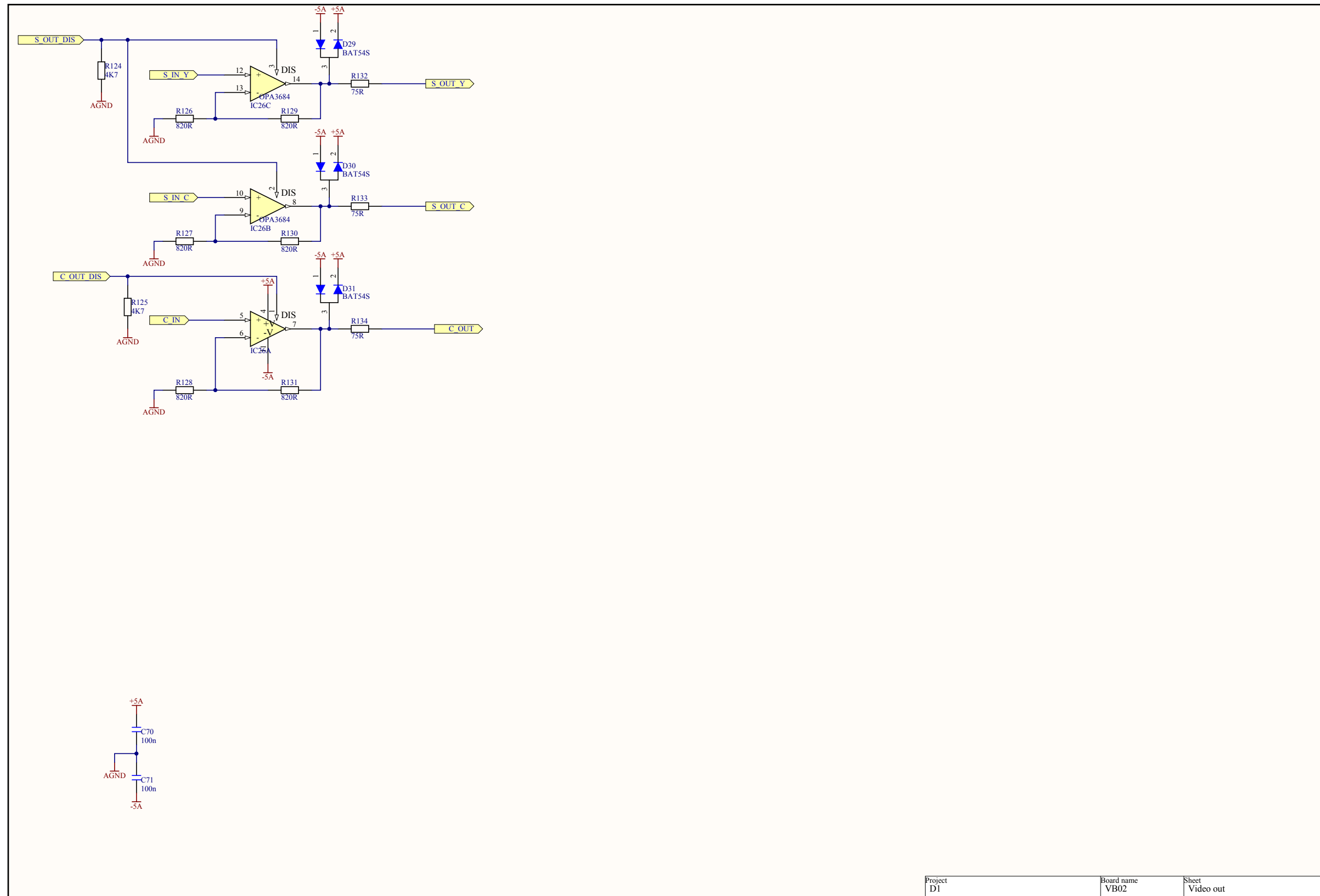
Project D1	Board name VB02	Sheet Component mux
---------------	--------------------	------------------------

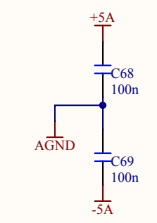
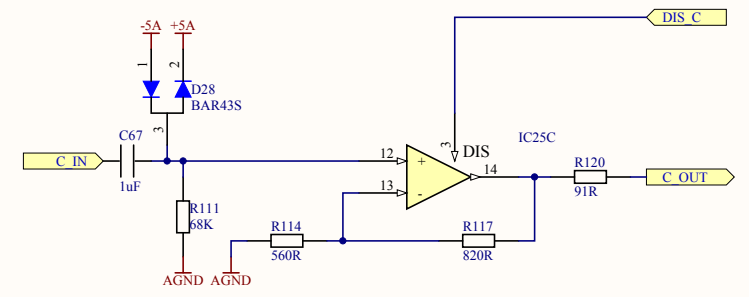
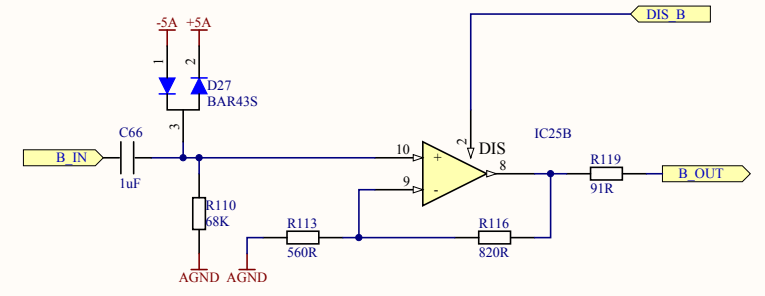
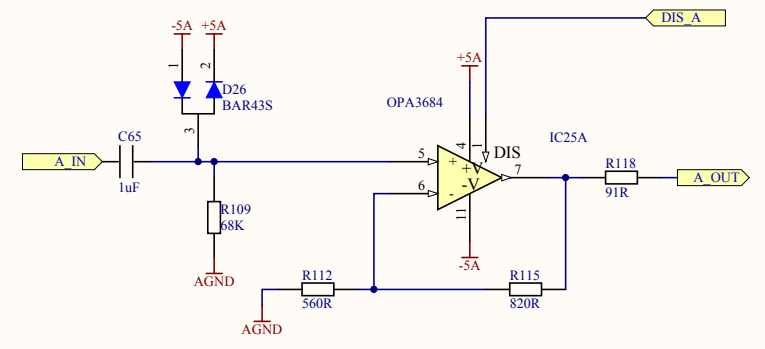


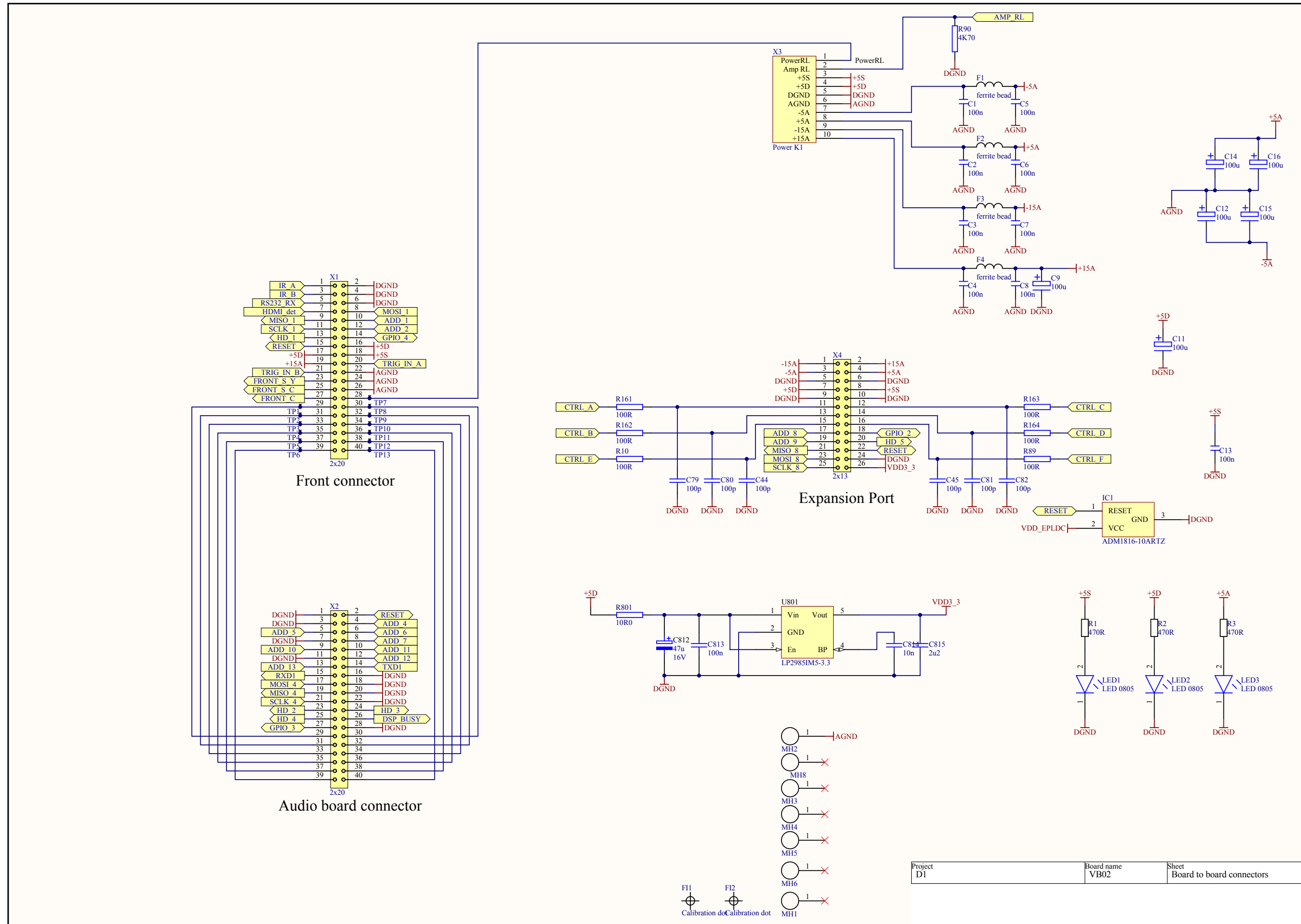


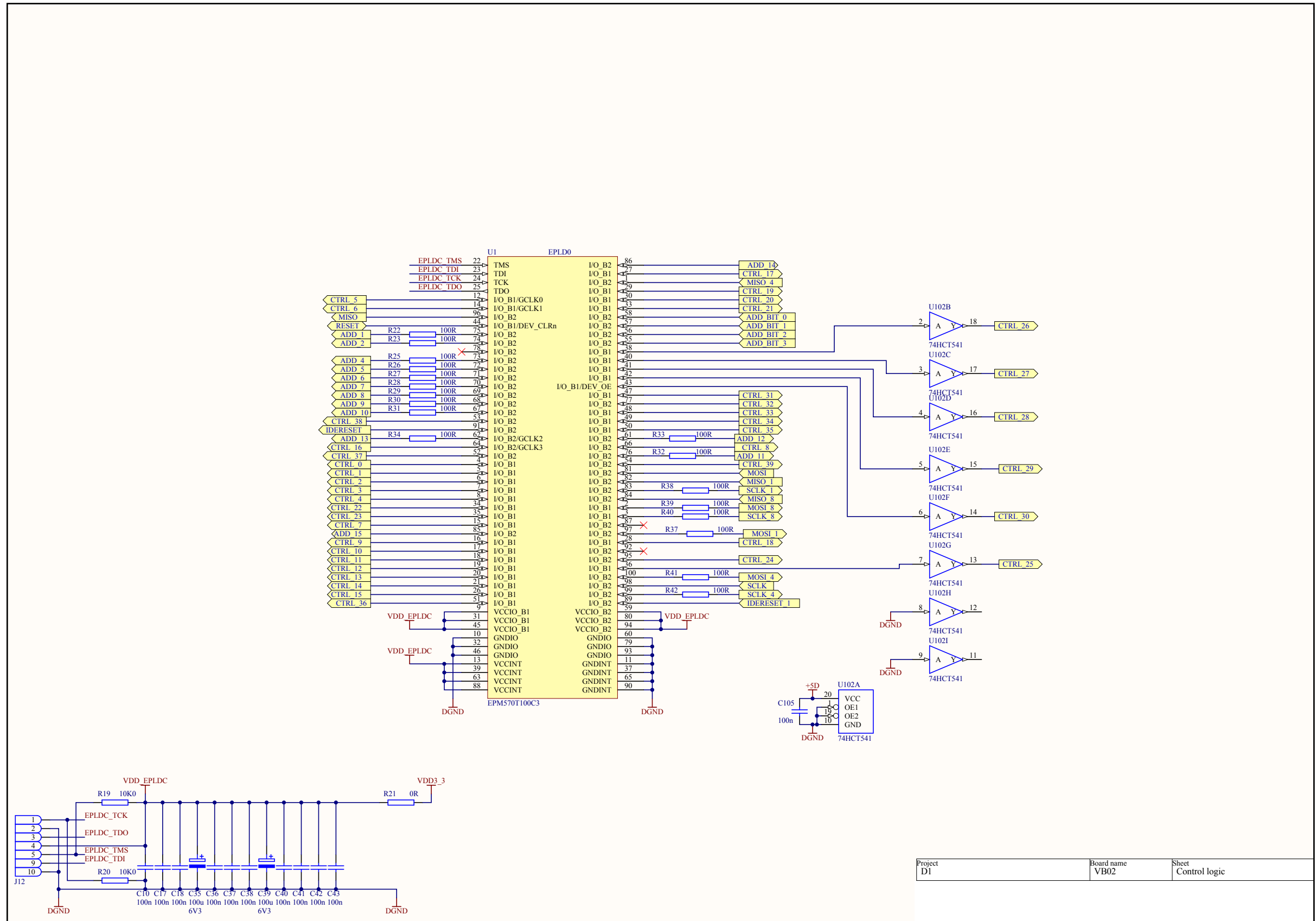


14 VIDEO 320361 SCH 7 of 13

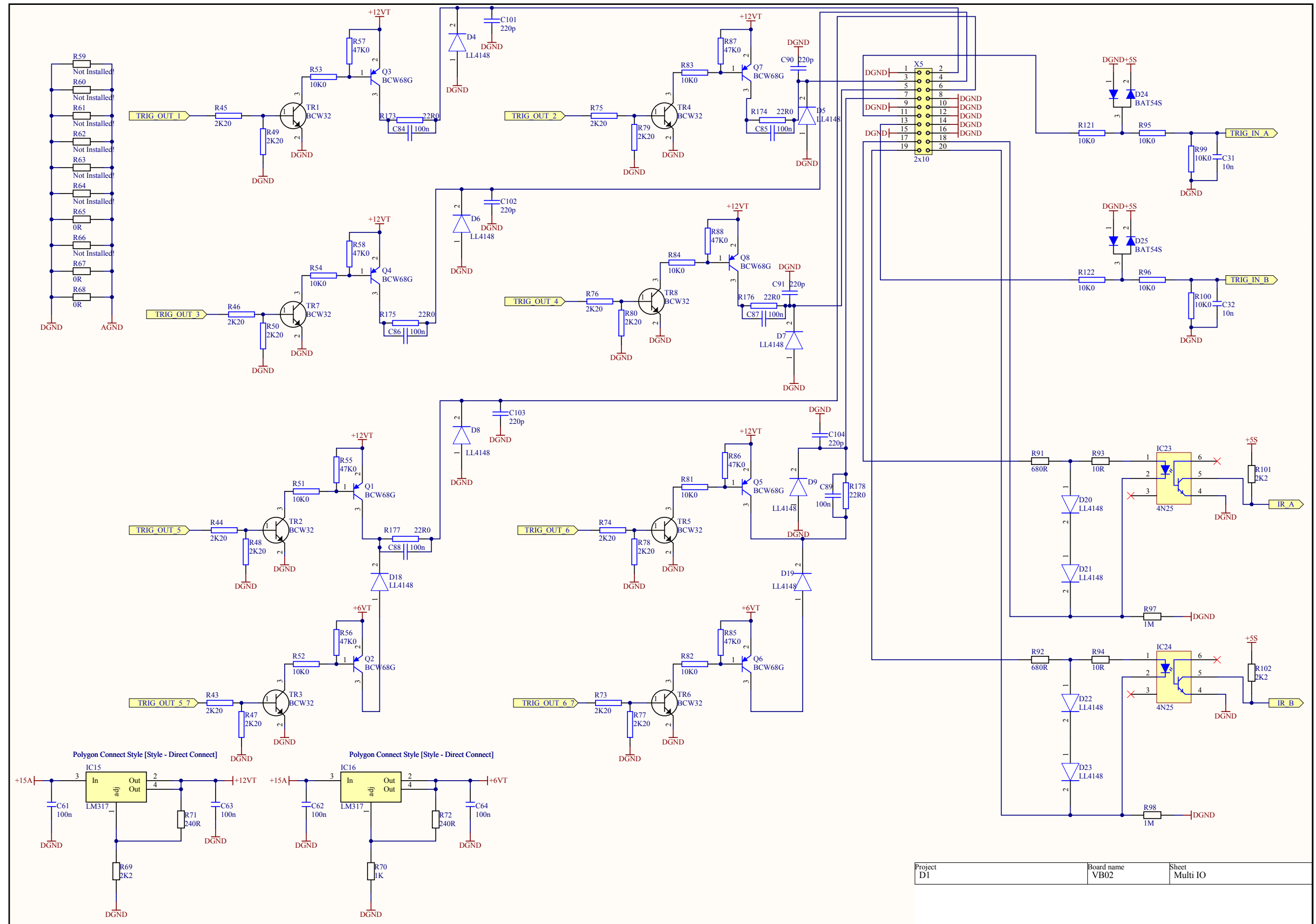




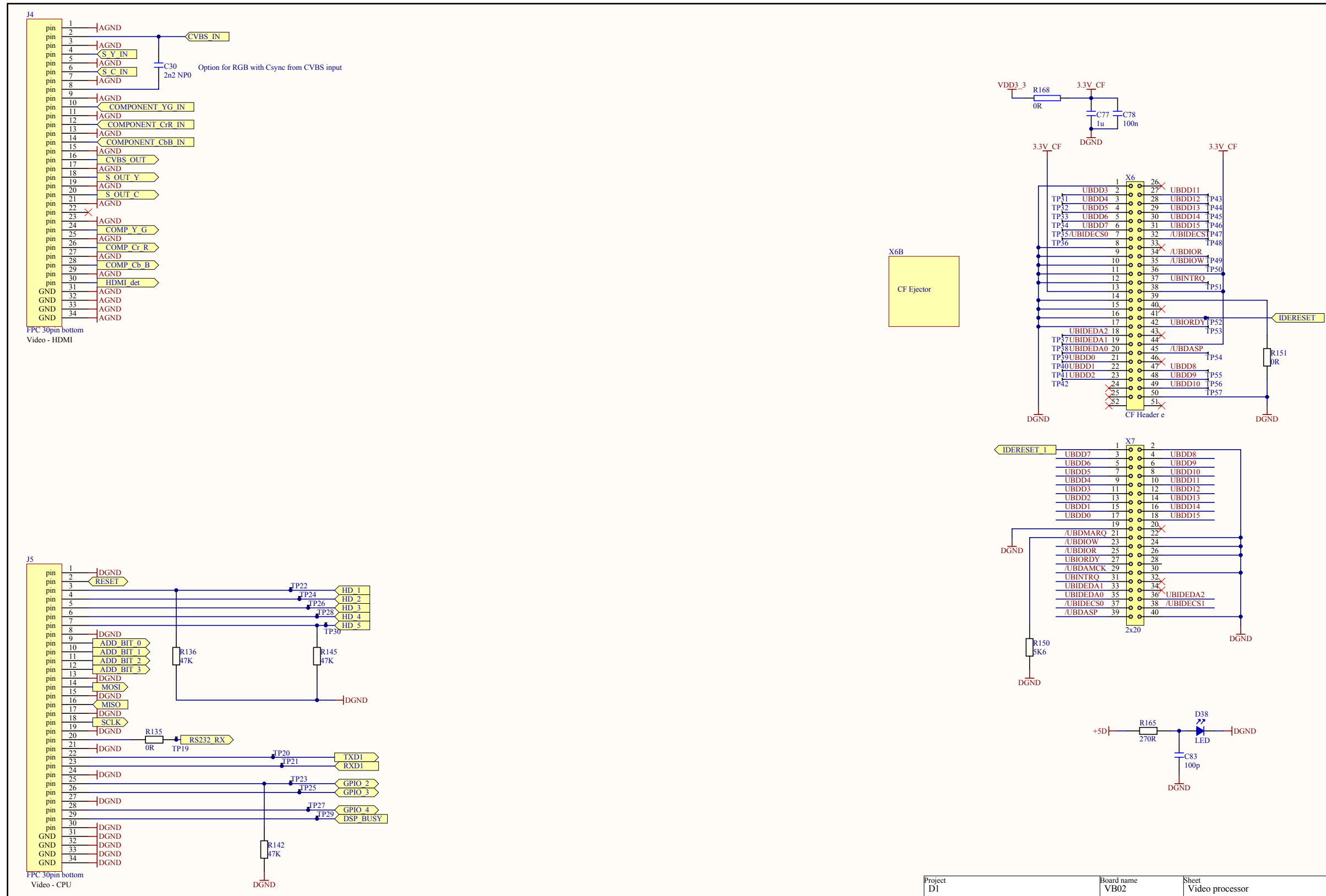


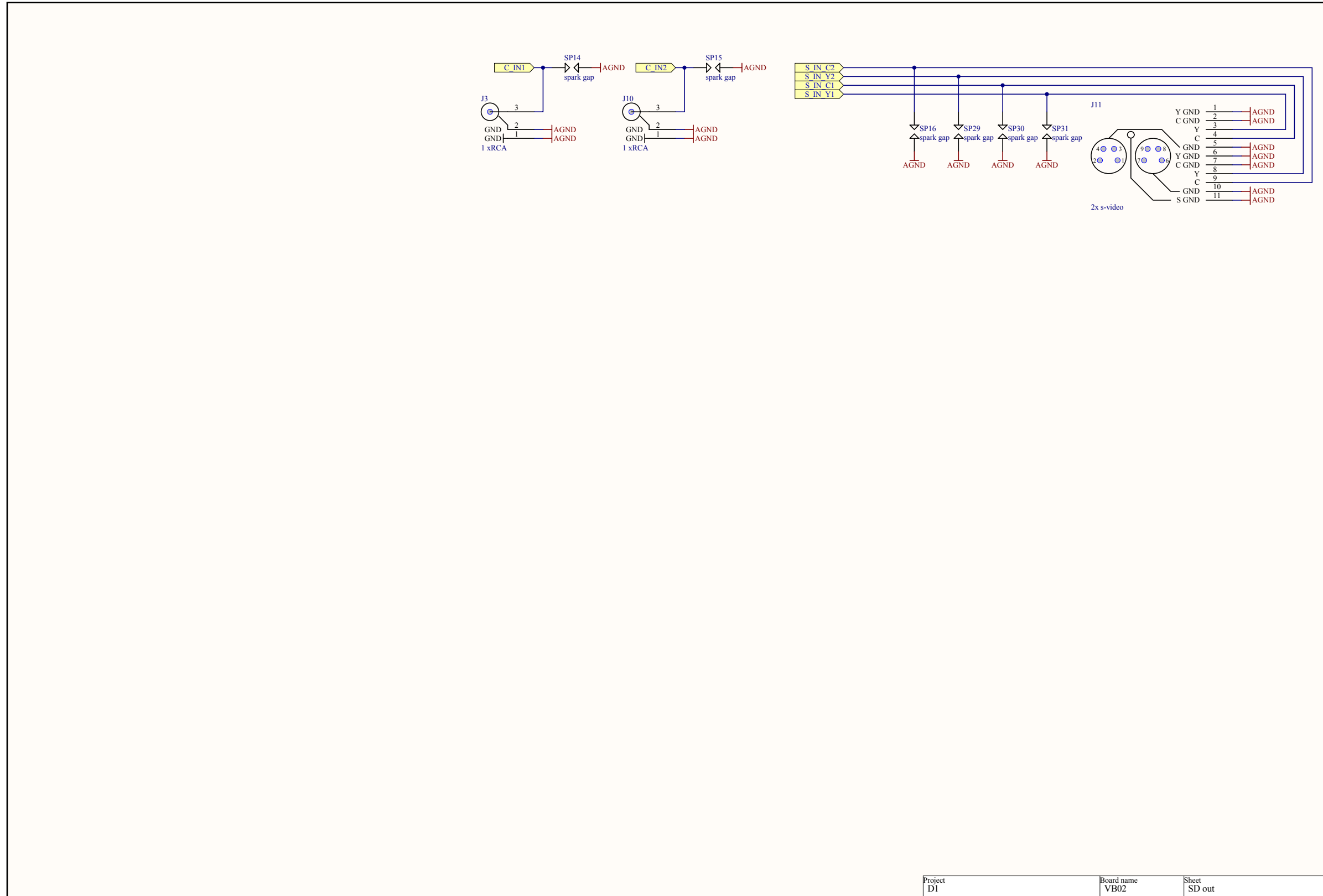


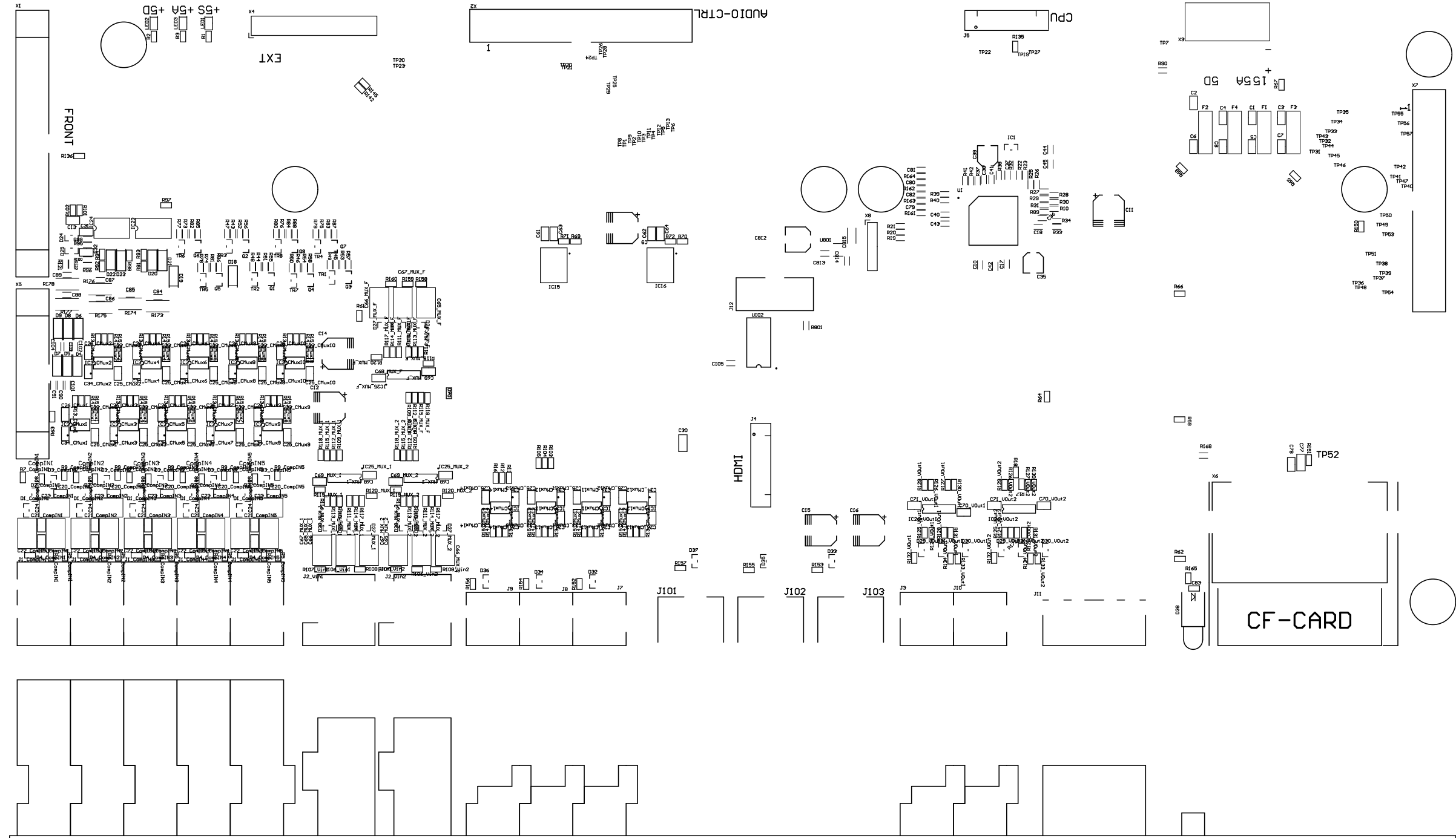
Project D1	Board name VB02	Sheet Control logic
---------------	--------------------	------------------------



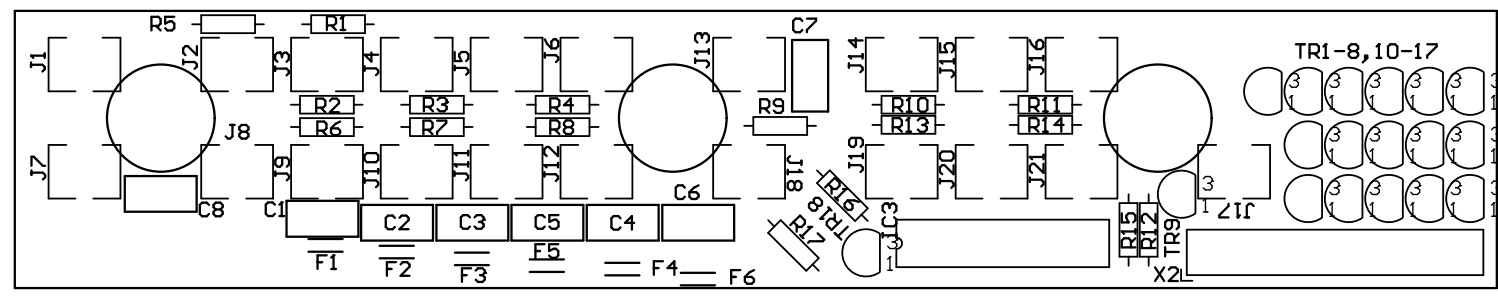
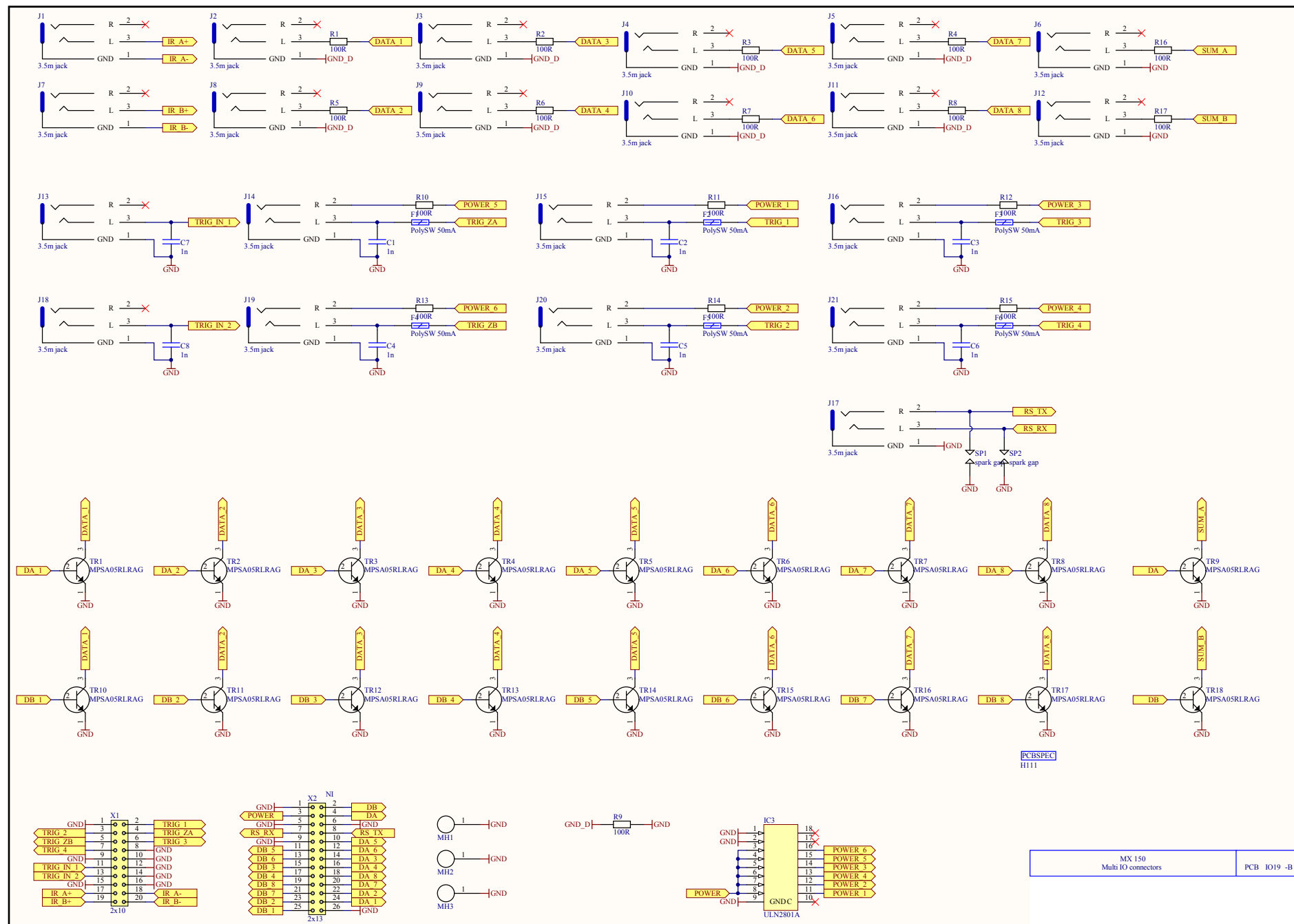
14 VIDEO 320361 SCH 12 of 13



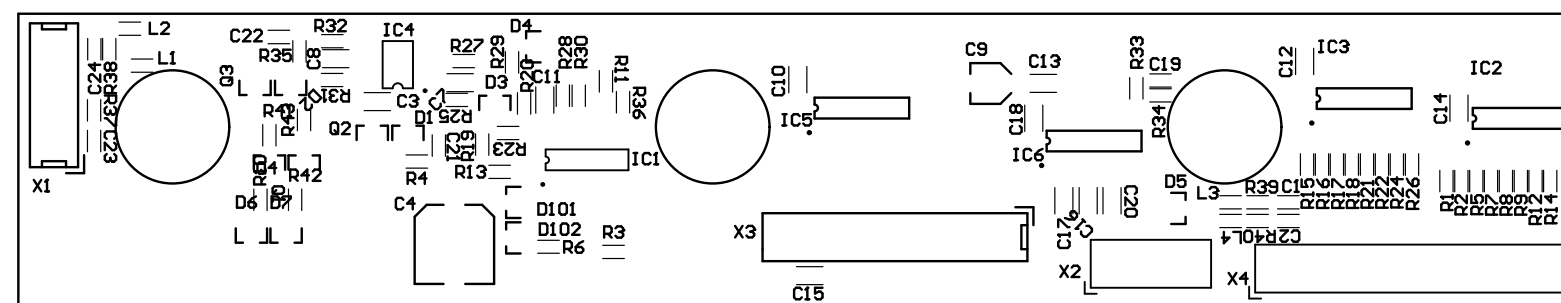
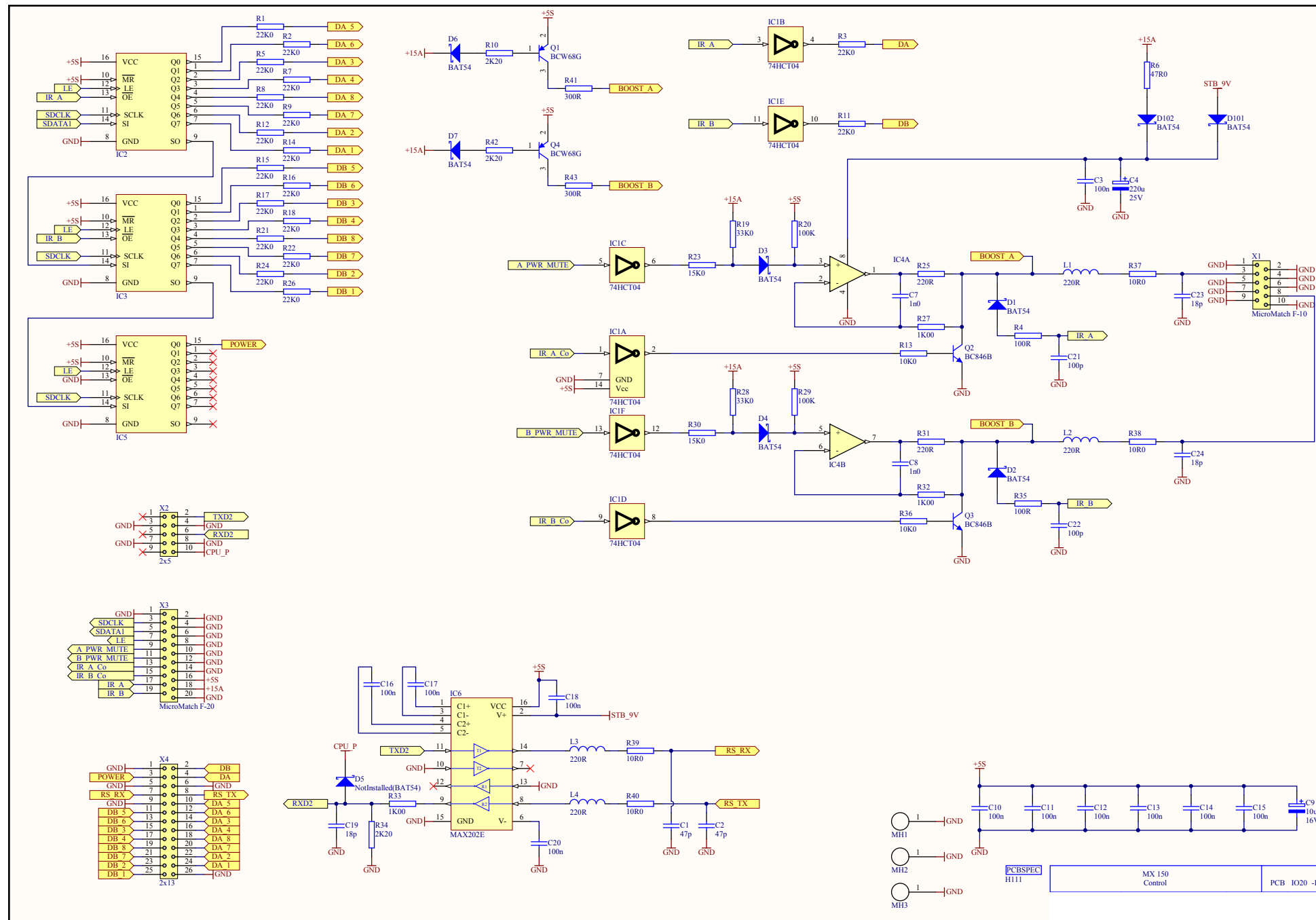


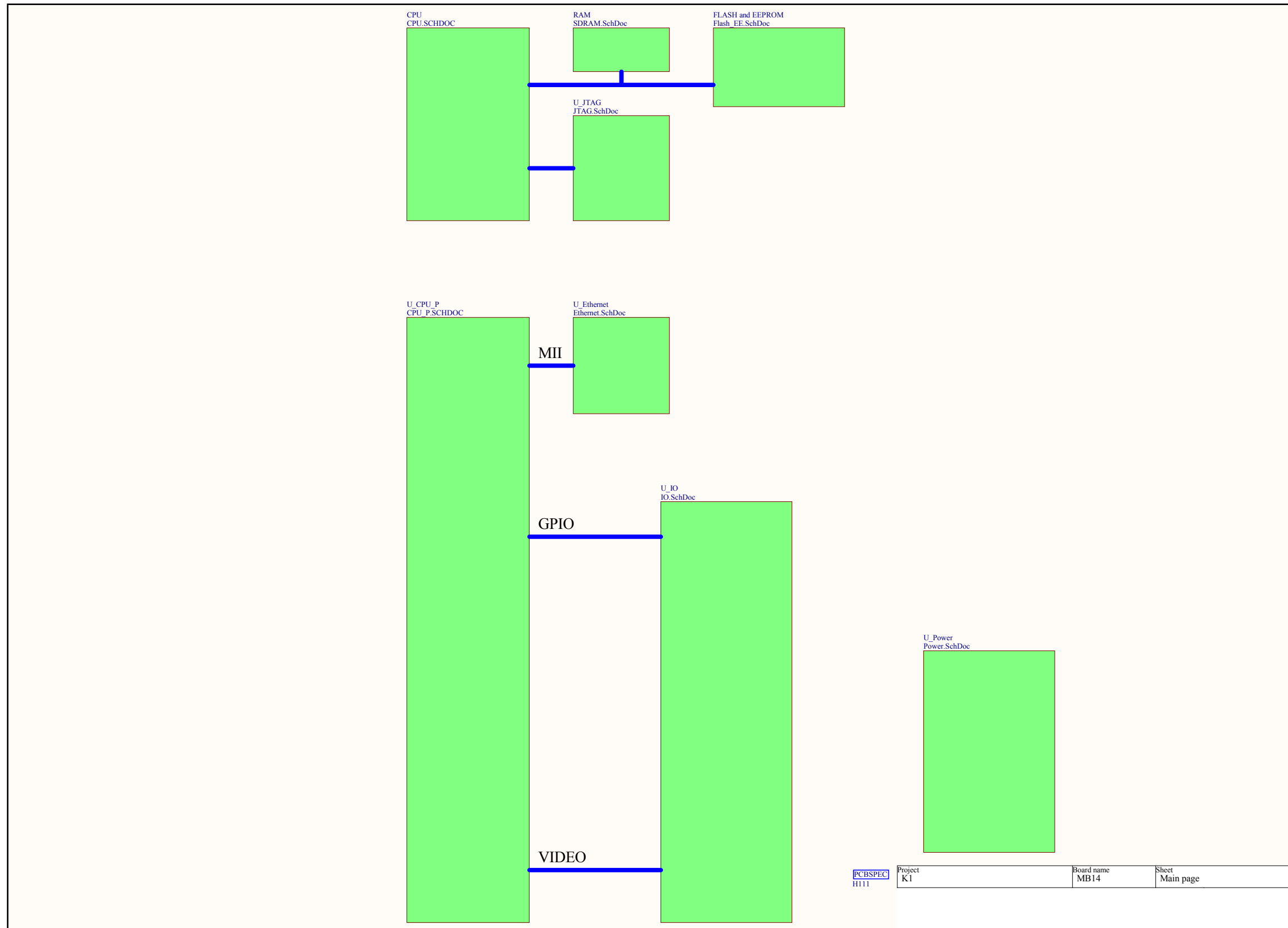


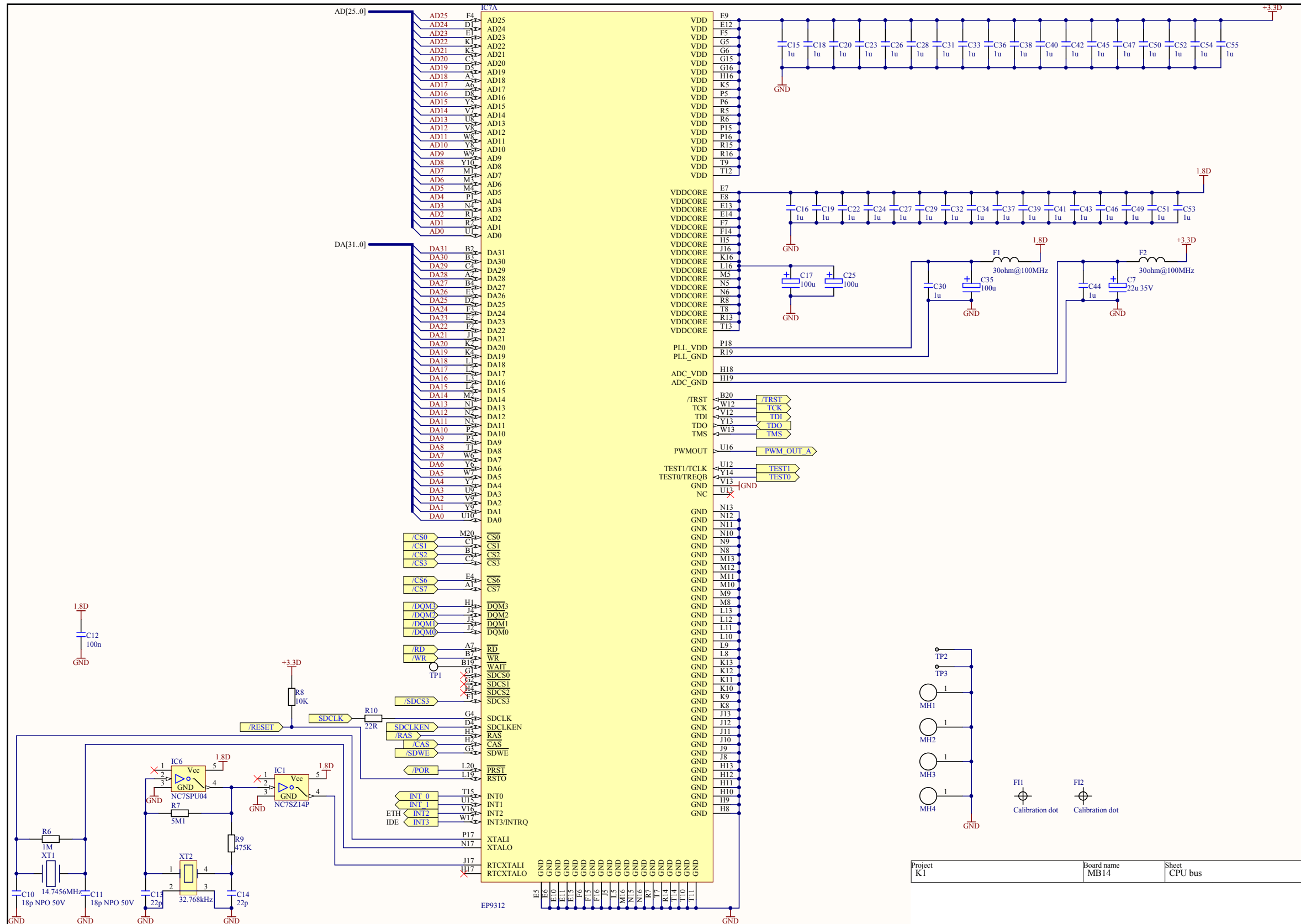
15 DATA TRIGGER 320352 SCH and PCB



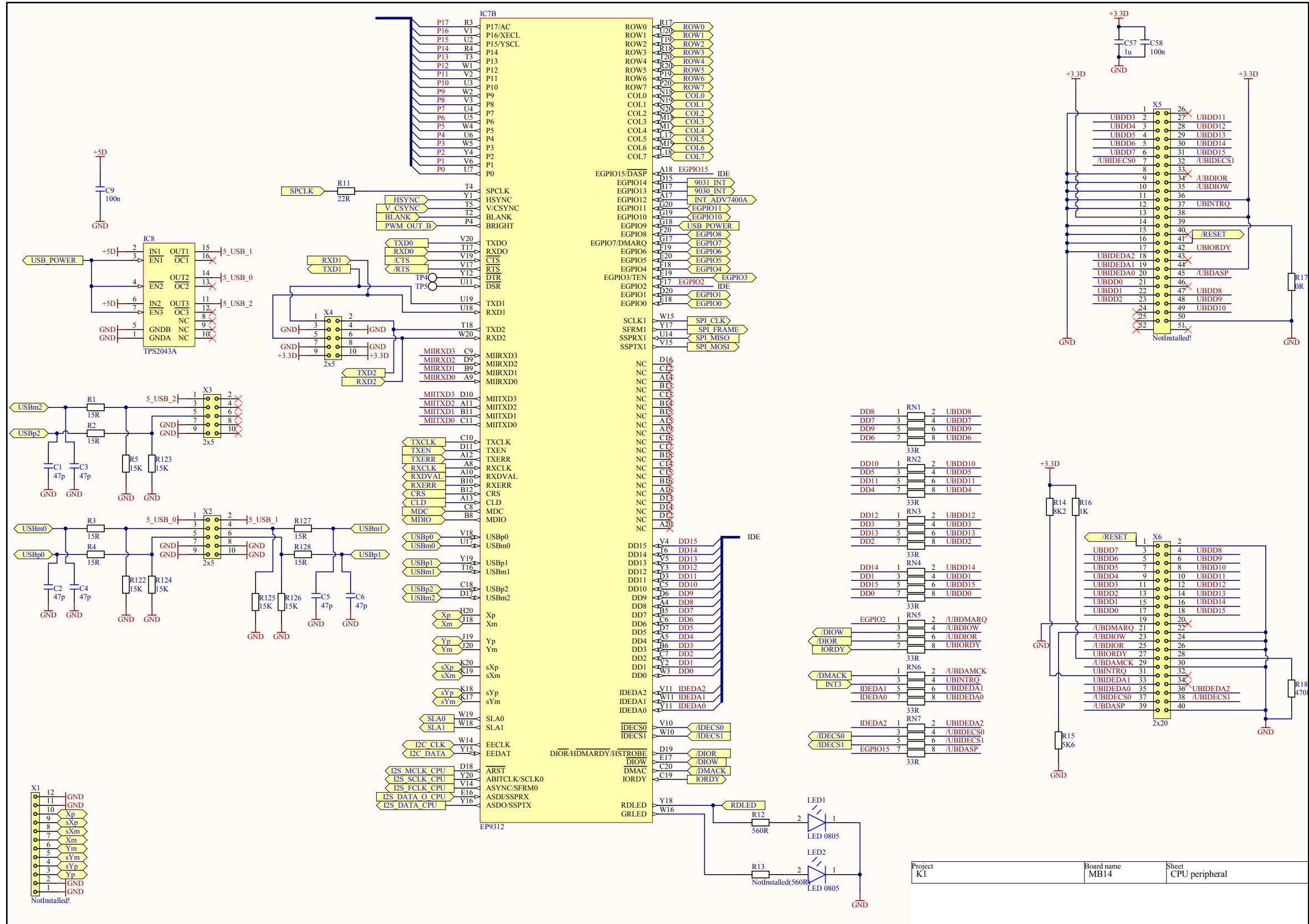
16 SENSOR 320353 SCH and PCB



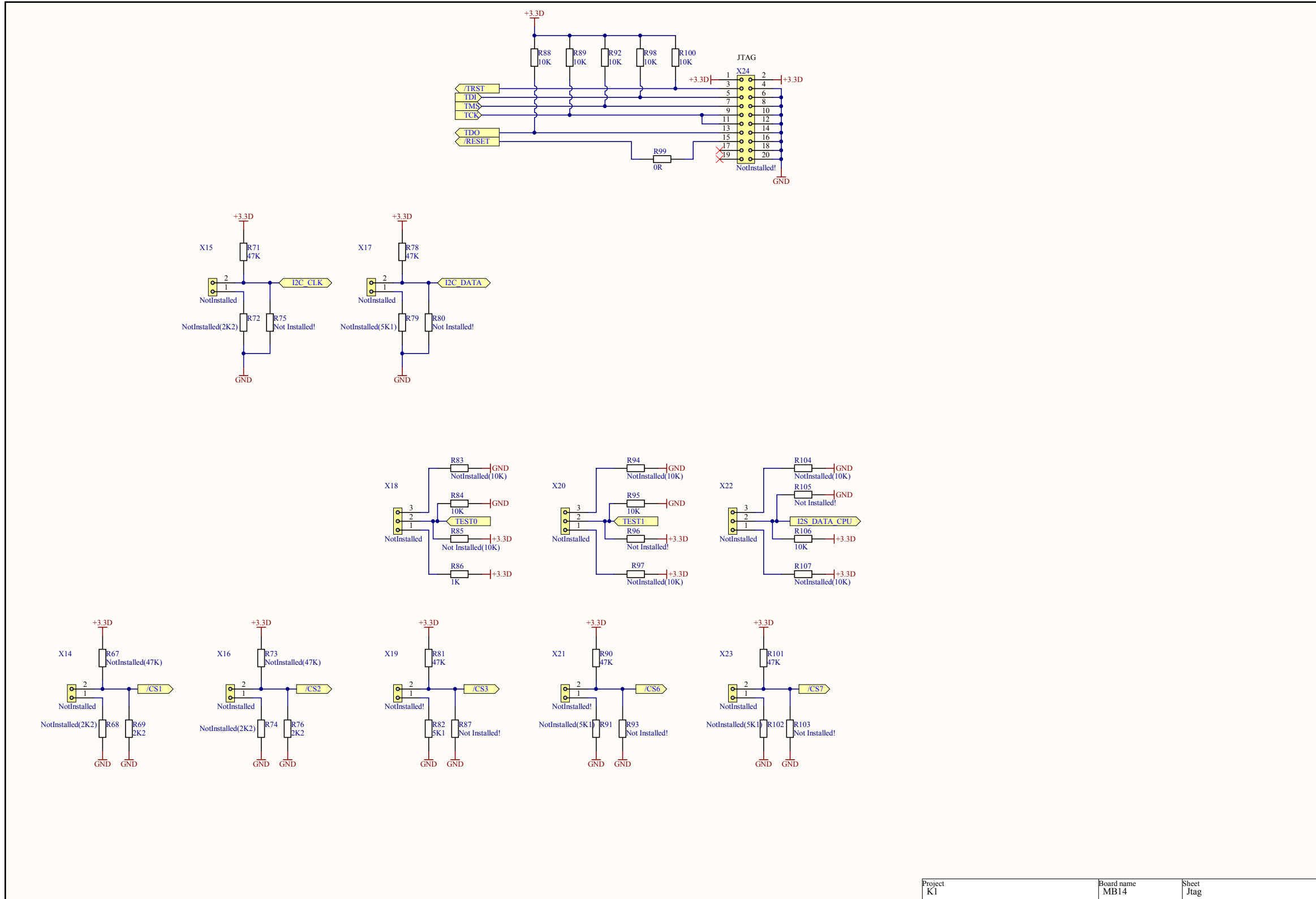


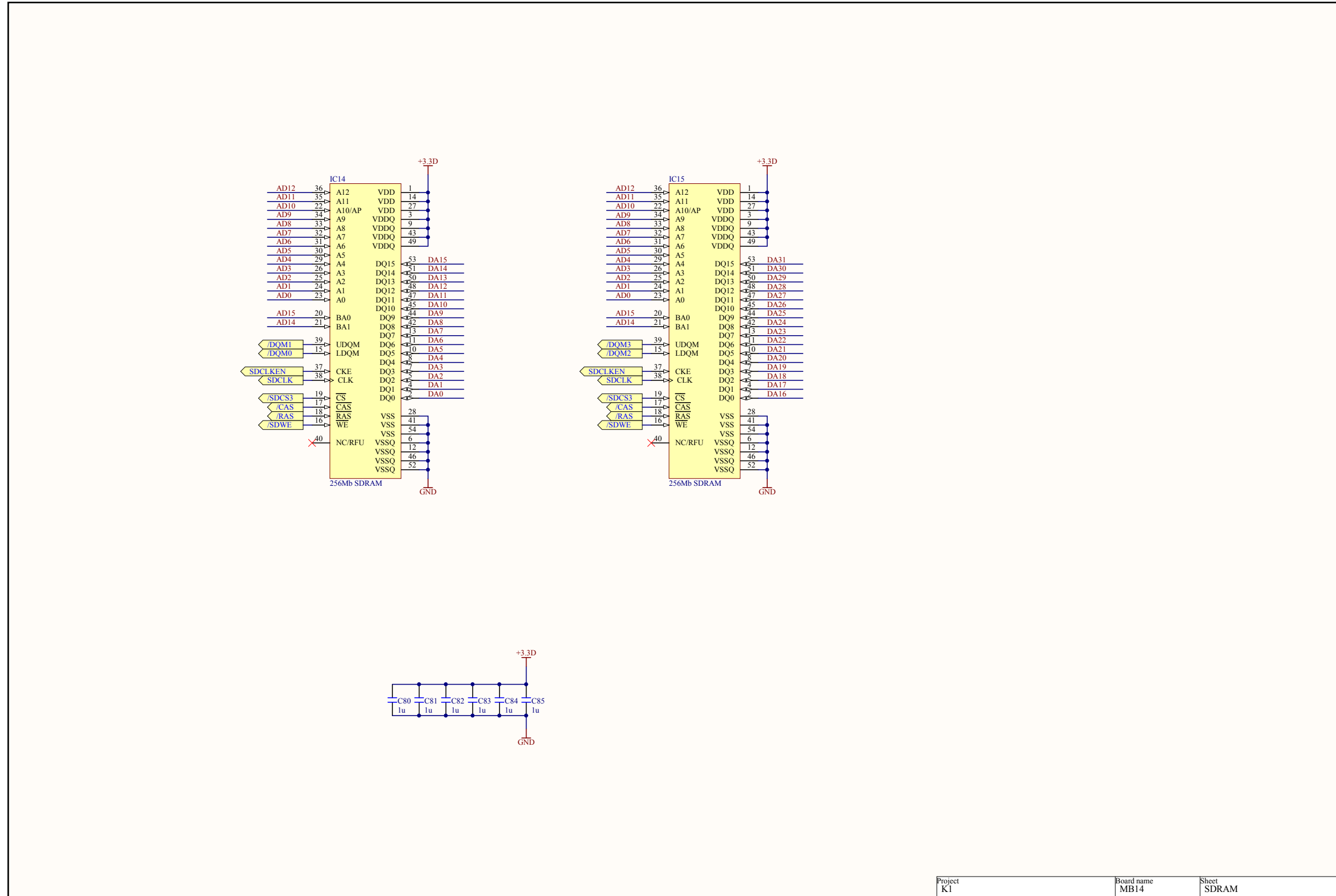


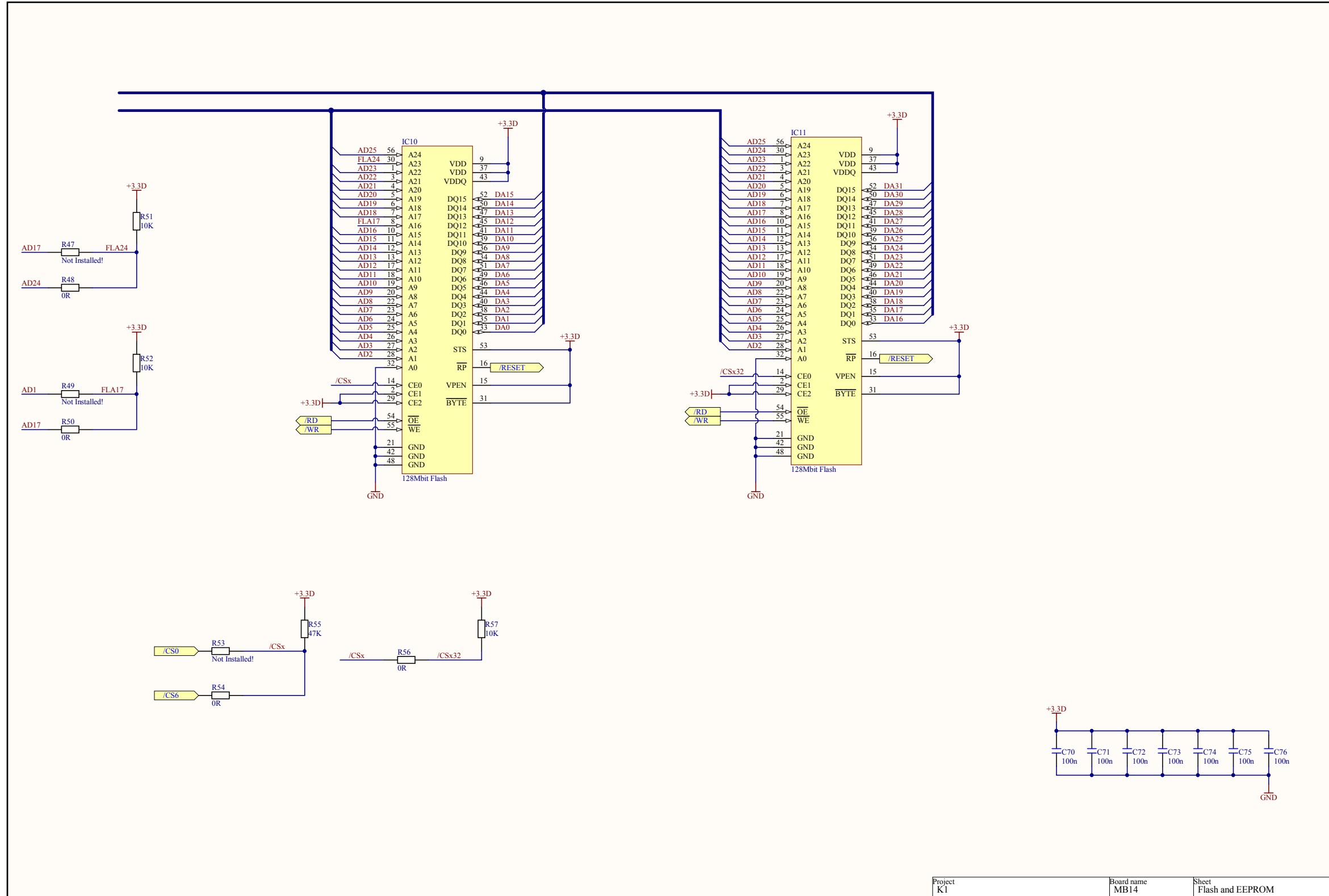
Project K1	Board name MB14	Sheet CPU bus
---------------	--------------------	------------------

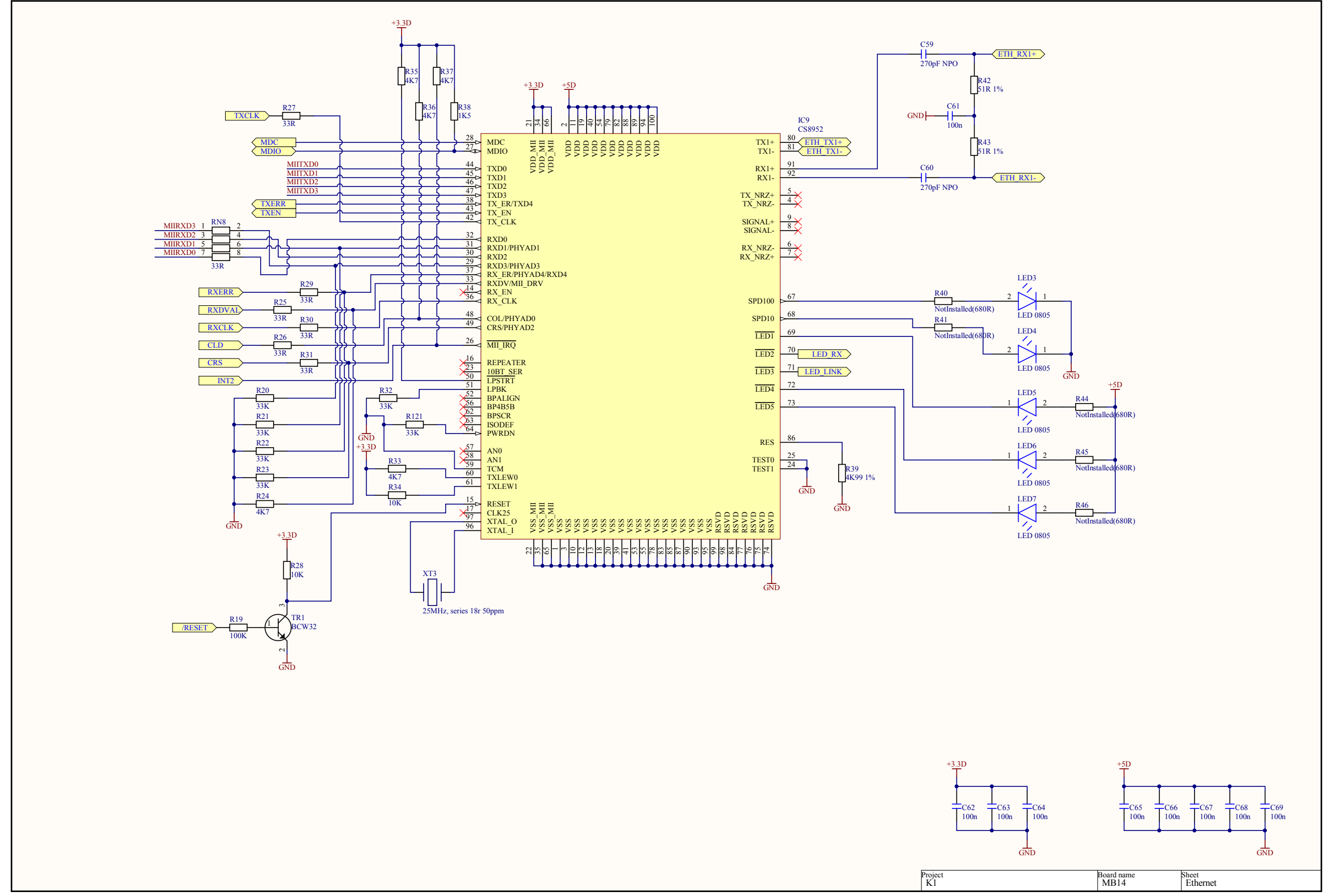


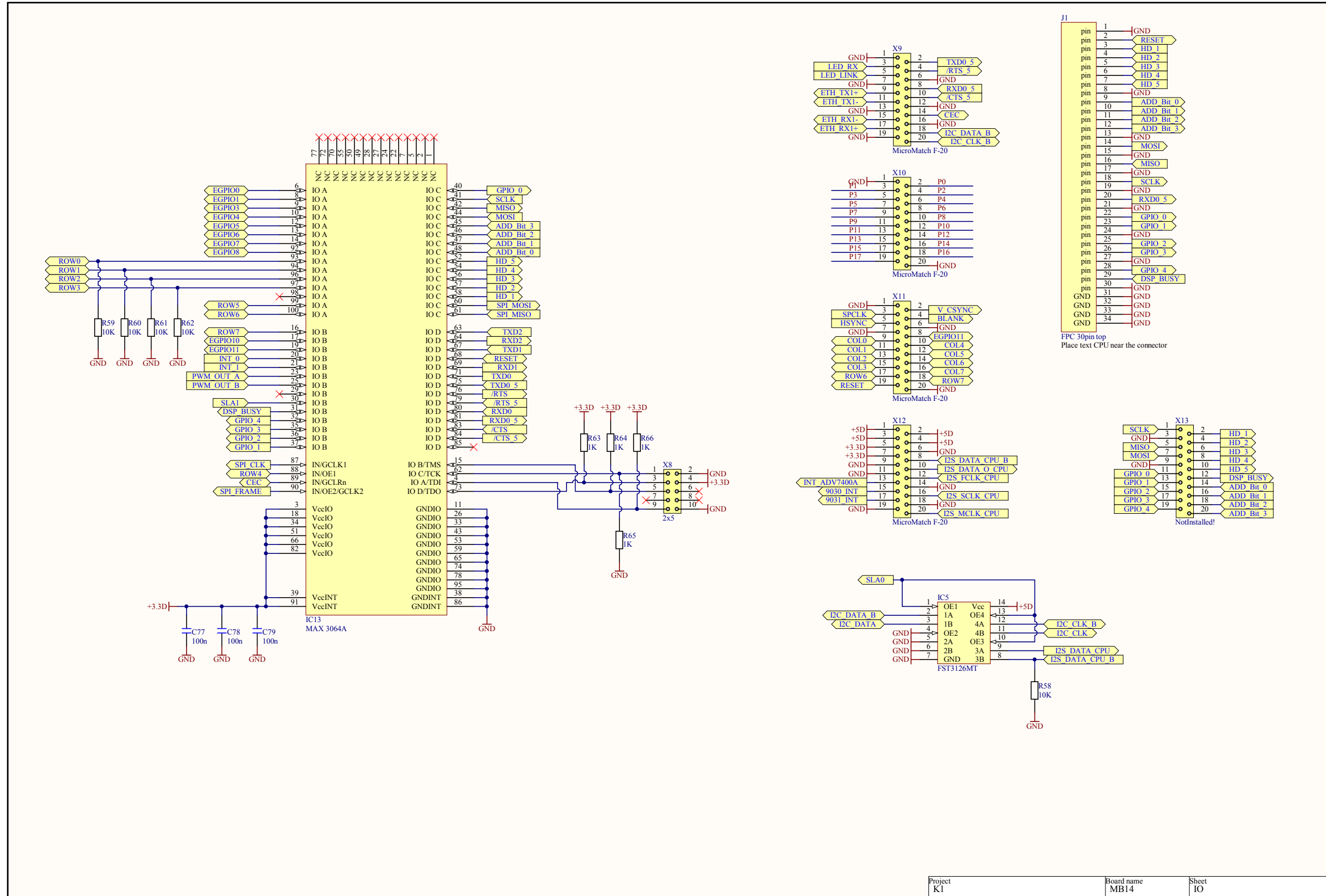
Project	Board name	Sheet
K1	MB14	CPU peripheral

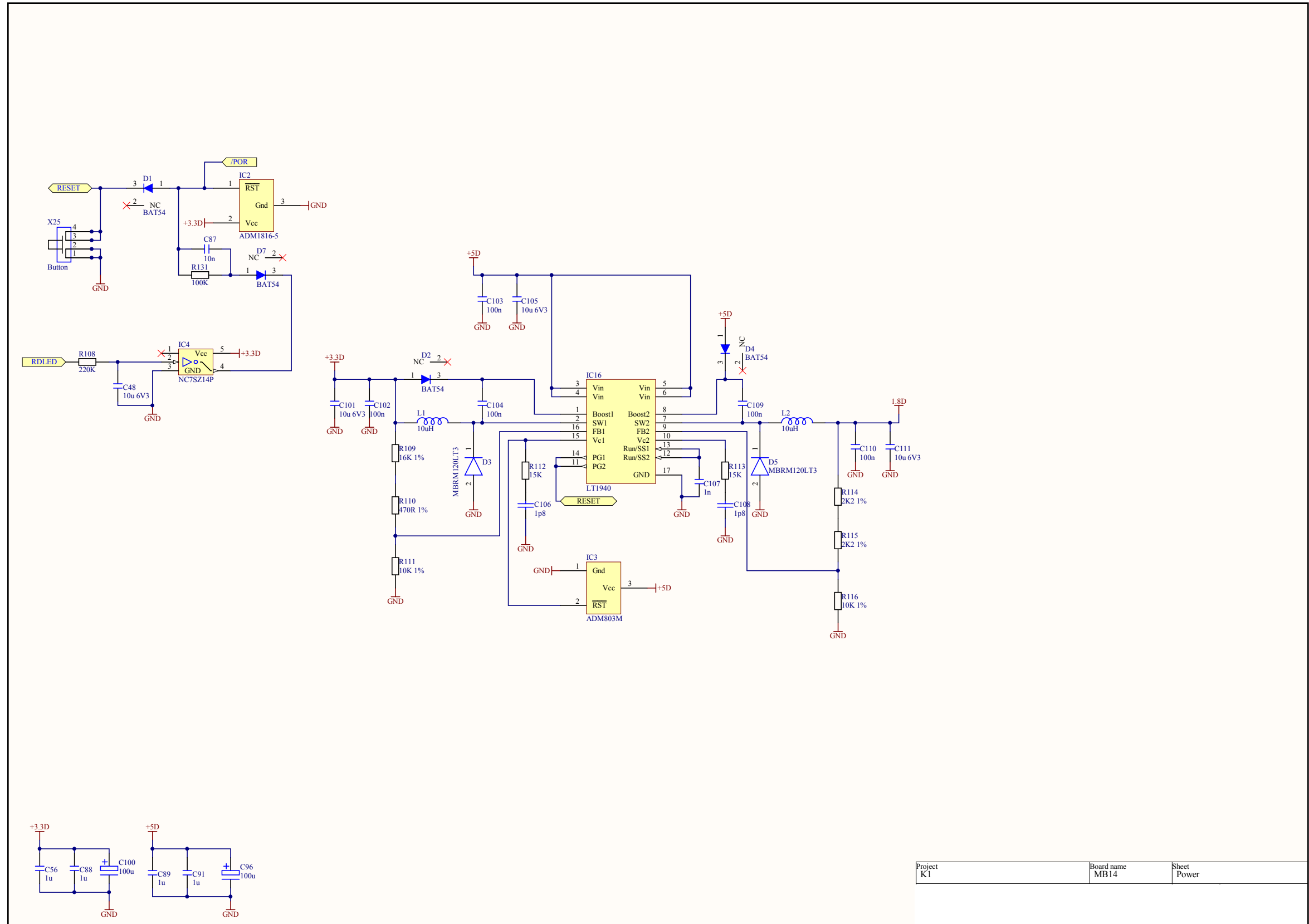




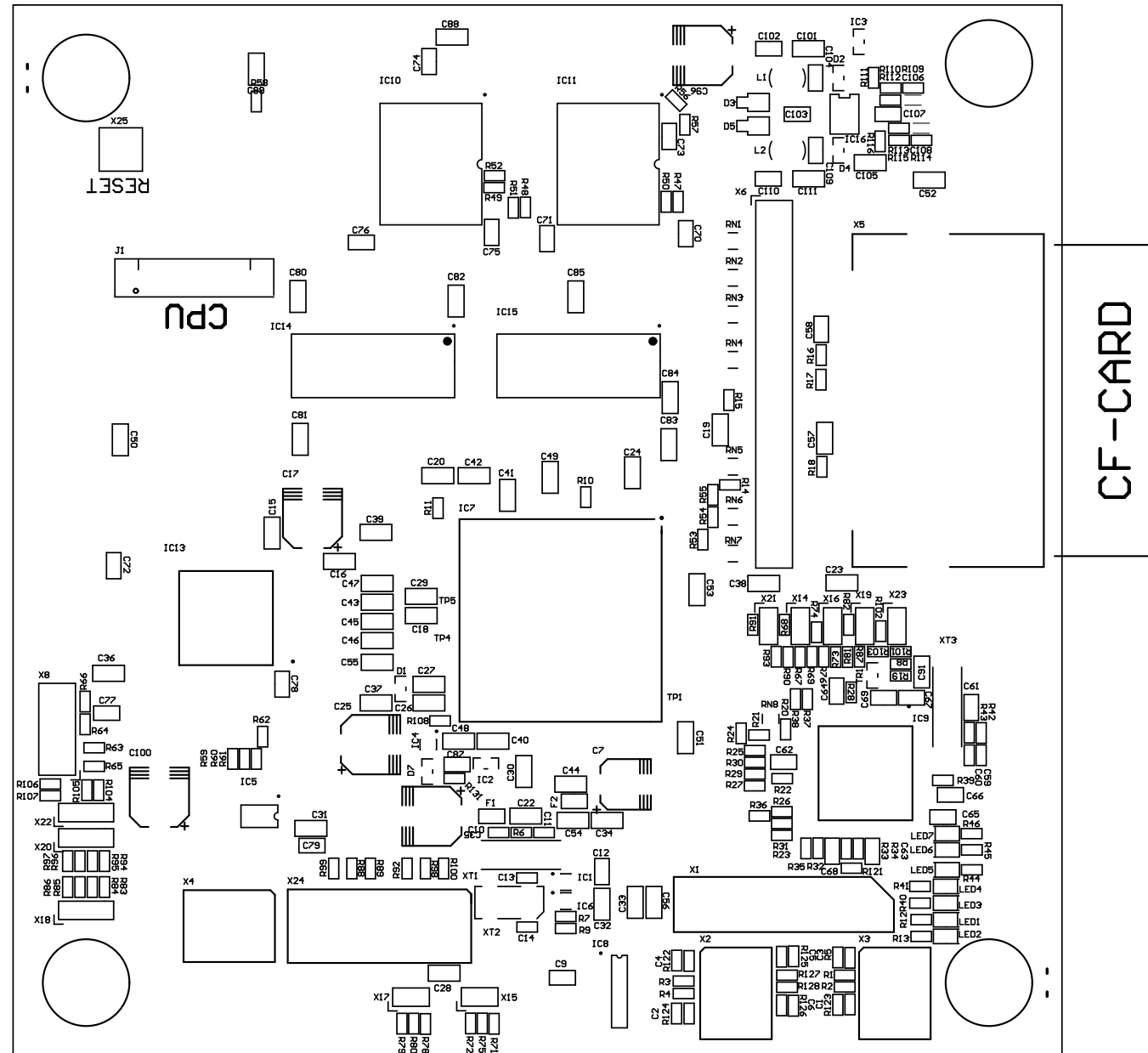




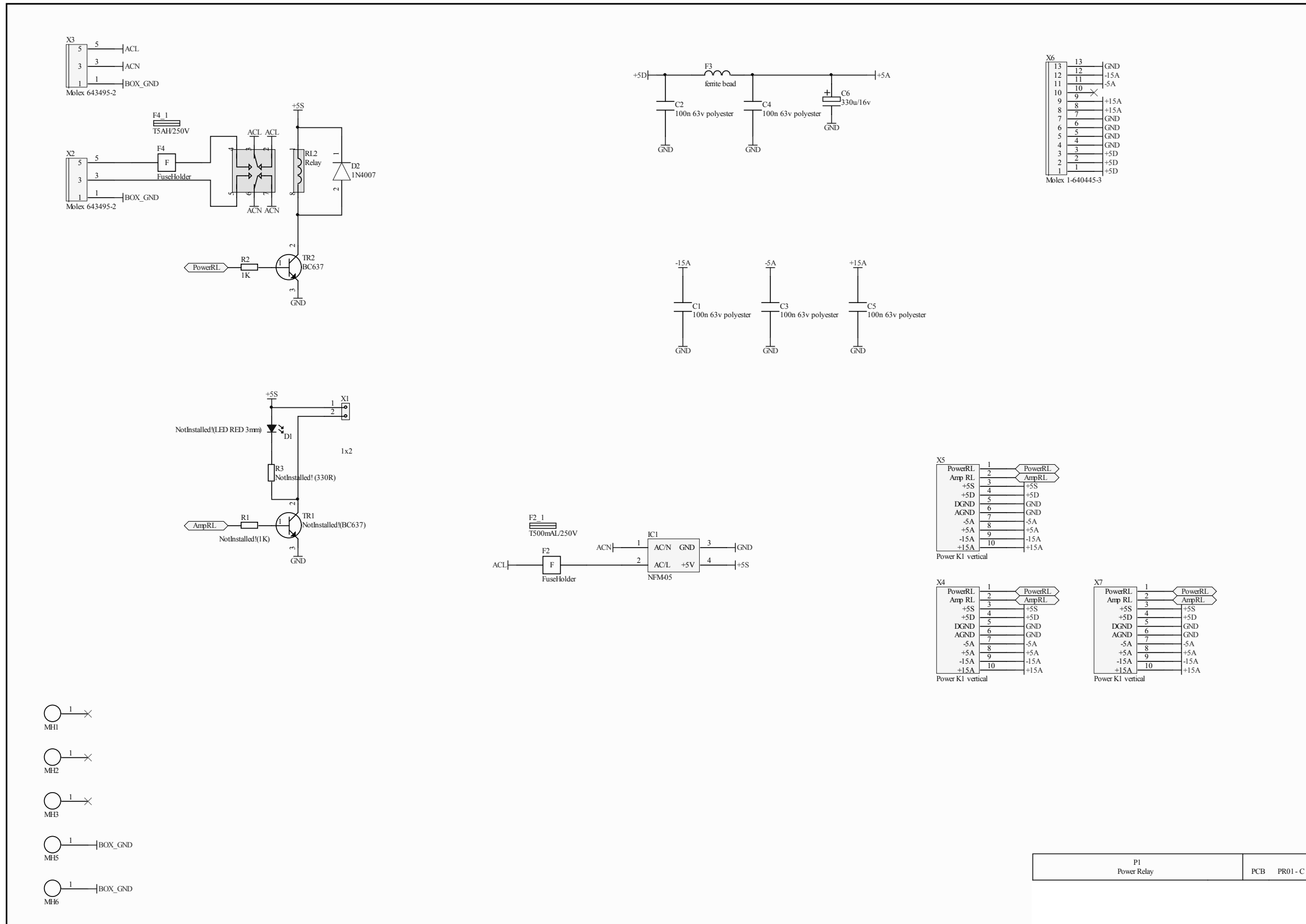




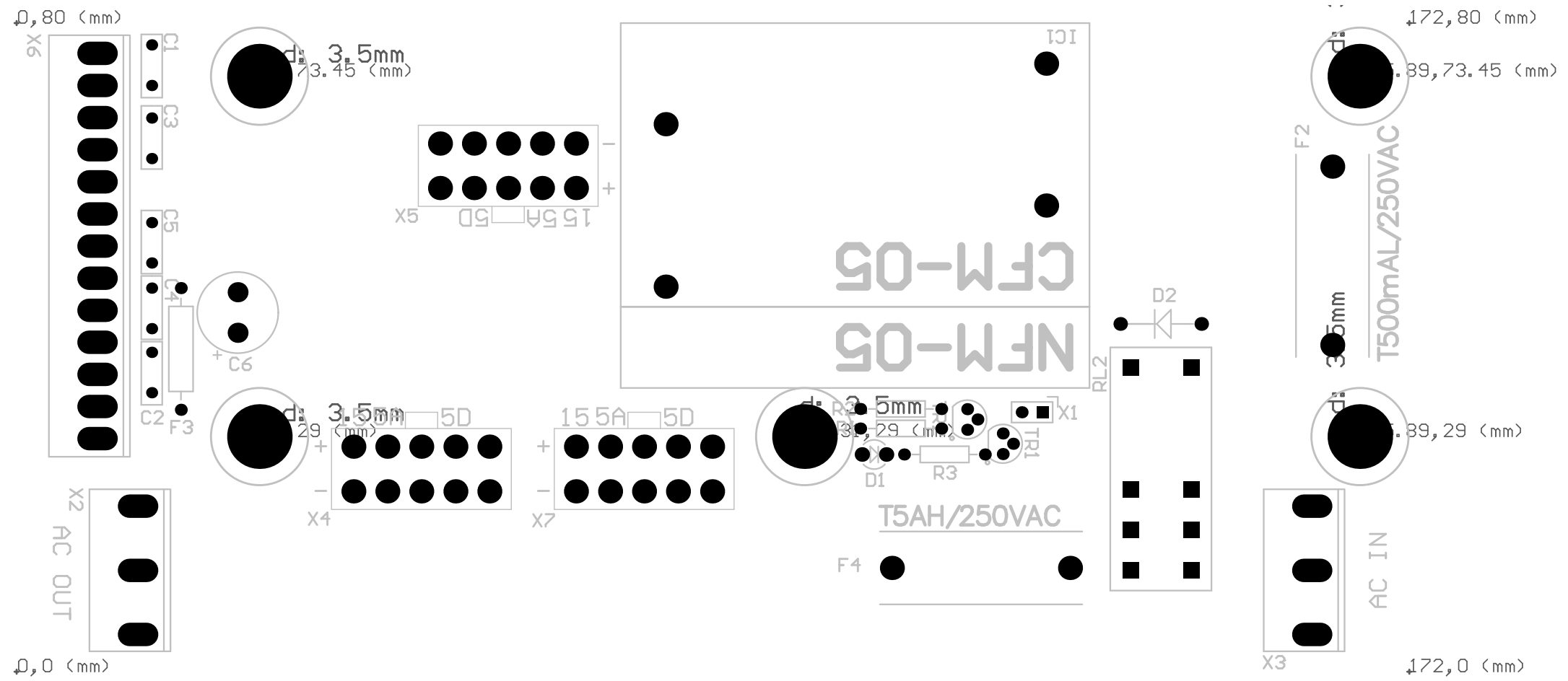
Project K1	Board name MB14	Sheet Power
---------------	--------------------	----------------



18 POWER RELAY 320358 SCH



18 POWER RELAY 320358 PCB



PARTS LIST

① INTERCONNECT

Ref. No.	Description	AVL
----------	-------------	-----

② FRONT PCB 320348 (FP27C)

Ref. No.	Description	AVL
----------	-------------	-----

Ref. No.	Description	AVL
1	Capacitor, SMD0603, NP0, 100pF, 50V, 10%	AVX 06035A101KAT2A
C2	Capacitor, SMD0603, NP0, 100pF, 50V, 10%	AVX 06035A101KAT2A
C3	Capacitor, SMD0603, NP0, 100pF, 50V, 10%	AVX 06035A101KAT2A
C4	Capacitor, SMD0603, NP0, 100pF, 50V, 10%	AVX 06035A101KAT2A
C5	Capacitor, SMD0603, NP0, 100pF, 50V, 10%	AVX 06035A101KAT2A
C6	Capacitor, SMD0603, NP0, 390pF, 50V, 5%	AVX 06035A391JAT2A
C7	Capacitor, SMD0603, NP0, 100pF, 50V, 10%	AVX 06035A101KAT2A
C8	Capacitor, SMD0603, NP0, 15pF, 50V, 10%	AVX 06035A150KAT2A
C9	Capacitor, SMD0603, NP0, 15pF, 50V, 10%	AVX 06035A150KAT2A
C10	Capacitor, SMD0603, X7R, 3.3nF, 50V, 10%	AVX 06035C332KAT2A
C11	Capacitor, SMD0603, X7R, 220nF, 16V, 10%	Phycomp 2238 786 15654
C12	Capacitor, SMD0603, NP0, 100pF, 50V, 10%	AVX 06035A101KAT2A
C13	Capacitor, SMD0603, NP0, 100pF, 50V, 10%	AVX 06035A101KAT2A
C14	Capacitor, SMD0603, NP0, 100pF, 50V, 10%	AVX 06035A101KAT2A
C15	Capacitor, SMD0603, NP0, 100pF, 50V, 10%	AVX 06035A101KAT2A
C16	Capacitor, SMD0603, NP0, 100pF, 50V, 10%	AVX 06035A101KAT2A
C17	Capacitor, SMD0603, X7R, 100nF, 25V, 20%	AVX 06033C104MAT2A
C18	Capacitor, SMD0603, NP0, 100pF, 50V, 10%	AVX 06035A101KAT2A
C19	Capacitor, SMD0603, NP0, 100pF, 50V, 10%	AVX 06035A101KAT2A
C17	Capacitor, SMD0603, X7R, 100nF, 25V, 20%	AVX 06033C104MAT2A
C20	Capacitor, SMD0603, X7R, 100nF, 25V, 20%	AVX 06033C104MAT2A
C21	Capacitor, SMD0603, X7R, 100nF, 25V, 20%	AVX 06033C104MAT2A
C22	Capacitor, SMD0603, X7R, 100nF, 25V, 20%	AVX 06033C104MAT2A
C23	Capacitor, SMD0603, X7R, 100nF, 25V, 20%	AVX 06033C104MAT2A
C24	Capacitor, SMD0603, X7R, 100nF, 25V, 20%	AVX 06033C104MAT2A
C25	Capacitor, SMD0603, X7R, 100nF, 25V, 20%	AVX 06033C104MAT2A
C26	Capacitor, SMD0603, X7R, 100nF, 25V, 20%	AVX 06033C104MAT2A
C27	Capacitor, SMD0603, X7R, 100nF, 25V, 20%	AVX 06033C104MAT2A
C28	Capacitor, SMD0603, X7R, 100nF, 25V, 20%	AVX 06033C104MAT2A
C29	Capacitor, SMD0603, X7R, 100nF, 25V, 20%	AVX 06033C104MAT2A
C30	Capacitor, SMD0603, X7R, 100nF, 25V, 20%	AVX 06033C104MAT2A
C31	Capacitor, SMD0603, X7R, 100nF, 25V, 20%	AVX 06033C104MAT2A
C32	Capacitor, SMD0603, X7R, 100nF, 25V, 20%	AVX 06033C104MAT2A
C33	Capacitor, SMD0603, X7R, 100nF, 25V, 20%	AVX 06033C104MAT2A
C35	Capacitor, SMD 4.3x5.4mm, AL, 2000hrs, 85C, 10uF, 16V, 20%	Nichicon UWX1C100MCL1GB
C34	Capacitor, SMD0603, X7R, 100nF, 25V, 20%	AVX 06033C104MAT2A
C36	Capacitor, SMD0603, X7R, 100nF, 25V, 20%	AVX 06033C104MAT2A
C37	Capacitor, SMD0603, X7R, 100nF, 25V, 20%	AVX 06033C104MAT2A
C38	Capacitor, SMD0603, X7R, 100nF, 25V, 20%	AVX 06033C104MAT2A
C39	Capacitor, SMD0603, X7R, 100nF, 25V, 20%	AVX 06033C104MAT2A
C40	Capacitor, SMD 4.3x5.4mm, AL, 2000hrs, 85C, 10uF, 16V, 20%	Nichicon UWX1C100MCL1GB
C41	Capacitor, SMD0603, X7R, 100nF, 25V, 20%	AVX 06033C104MAT2A
C42	Capacitor, SMD0603, X7R, 100nF, 25V, 20%	AVX 06033C104MAT2A
C43	Capacitor, SMD0603, X7R, 100nF, 25V, 20%	AVX 06033C104MAT2A
C44	Capacitor, SMD0603, X7R, 100nF, 25V, 20%	AVX 06033C104MAT2A
C45	Capacitor, SMD0603, X7R, 100nF, 25V, 20%	AVX 06033C104MAT2A
C46	Capacitor, SMD0603, X7R, 100nF, 25V, 20%	AVX 06033C104MAT2A
C47	Capacitor, SMD0603, X7R, 100nF, 25V, 20%	AVX 06033C104MAT2A
C48	Capacitor, SMD0603, X7R, 100nF, 25V, 20%	AVX 06033C104MAT2A
C49	Capacitor, SMD0603, X7R, 100nF, 25V, 20%	AVX 06033C104MAT2A
C50	Capacitor, SMD0603, X7R, 100nF, 25V, 20%	AVX 06033C104MAT2A
C51	Capacitor, SMD0603, X7R, 100nF, 25V, 20%	AVX 06033C104MAT2A

PARTS LIST (Cont'd.)

FRONT PCB 320348 (FP27C) (Cont'd.)

Ref. No.	Description	AVL
C124	Capacitor, SMD0603, X7R, 10nF, 25V, 10%	AVX 06033C103KAT2A
C125	Capacitor, SMD0603, X7R, 100nF, 25V, 20%	AVX 06033C104MAT2A
C126	Capacitor, SMD0603, X7R, 100nF, 25V, 20%	AVX 06033C104MAT2A
C127	Capacitor, SMD0603, X7R, 100nF, 25V, 20%	AVX 06033C104MAT2A
D1	Opto, LED lamp, TH 5mm round, Red 635nm, 300mcd, FR5865S	Stanley FR5865S
D2	Opto, LED lamp, TH 5mm round, Red 635nm, 300mcd, FR5865S	Stanley FR5865S
D3	Opto, LED lamp, TH 5mm round, Red 635nm, 300mcd, FR5865S	Stanley FR5865S
D4	Opto, LED lamp, TH 5mm round, Green 520nm, 9000mcd, NSPG513AS	Nichia NSPG513AS rank GT or GU
D5	Opto, LED lamp, TH 5mm round, Green 520nm, 9000mcd, NSPG513AS	Nichia NSPG513AS rank GT or GU
D6	Opto, LED lamp, TH 5mm round, Green 520nm, 9000mcd, NSPG513AS	Nichia NSPG513AS rank GT or GU
D7	Opto, LED lamp, TH 5mm round, Green 520nm, 9000mcd, NSPG513AS	Nichia NSPG513AS rank GT or GU
D8	Opto, LED lamp, TH 5mm round, Green 520nm, 9000mcd, NSPG513AS	Nichia NSPG513AS rank GT or GU
D9	Opto, LED lamp, TH 5mm round, Green 520nm, 9000mcd, NSPG513AS	Nichia NSPG513AS rank GT or GU
D10	Opto, LED lamp, TH 5mm round, Green 520nm, 9000mcd, NSPG513AS	Nichia NSPG513AS rank GT or GU
H111	PCB, 2 layer, 1.6mm FR4, 340x142 mm, with cut-out, FP27C	Lyngdorf Audio
IC1	IC, Altera MAXII series EPLD, 570LE, 76I/O, 100pin TQFP case, EPM570T100C3	Altera EPM570T100C3
IC2	IC, uC, low power, QFP-64 case, Atmel ATmega64-16AU	Atmel ATmega64-16AU
IC3	IC, logic, HCT series, buffer, inverting, 3-state, 5V, 12nS, SOIC-20 (0.3 wide) case, MM74HCT541WM	Fairchild MM74HCT541WM
IC4	Module, ZigBee, Jennic JN5139-Z01-M00R1	Jennic JN5139-Z01-M00R1
IC5	IC, voltage regulator, LDO, 3.3V, 5%, 0.4A, 26V in, SOT-223 case, LM2937IMP-3.3	National LM2937IMP-3.3 NOPB
IR1	Opto, IR receiver, TH, 2.7V-5.5V, 1mA ICC, 38KHz, 3 TH pin case with Top View Holder, TSOP2238-YA1	Vishay TSOP2238-YA1
J1	Connector, pinrow, straight, 2.54mm pitch, 0.64mm sq pin, PCB, TH,male, 5.84mm head, 3.05mm tail, gold, 1x12-way	Sullins PBC12SAAN
J2	Connector, pinrow, straight, 2.54mm pitch, 0.64mm sq pin, PCB, TH,male, 5.84mm head, 3.05mm tail, gold, 1x12-way	Sullins PBC12SAAN
J3	Connector, pinrow, straight, 2.54mm pitch, 0.64mm sq pin, PCB, TH,male, 5.84mm head, 3.05mm tail, gold, 1x12-way	Sullins PBC12SAAN
J4	Connector, pinrow, straight, 2.54mm pitch, 0.64mm sq pin, PCB, TH,male, 5.84mm head, 3.05mm tail, gold, 1x12-way	Sullins PBC12SAAN
J5	Connector, pinrow, straight, 2.54mm pitch, 0.64mm sq pin, PCB, TH,male, 5.84mm head, 3.05mm tail, gold, 1x12-way	Sullins PBC12SAAN
J6	Connector, pinrow, straight, 2.54mm pitch, 0.64mm sq pin, PCB, TH,male, 5.84mm head, 3.05mm tail, gold, 1x12-way	Sullins PBC12SAAN
M2	Screw, M2.5x8, Pan TX Zn Blue	Bossard BN 5128 - 3059633
M3	Washer, Lock, 0,4x2,7-5,5	Bossard BN789-1229176
M4	Washer, nylon, 1,57x2,92-6,35 / Inch: 0,062x0,115-0,250	micro plastics, inc. 16FW004062
M5	Washer, nylon, 1,57x2,92-6,35 / Inch: 0,062x0,115-0,250	micro plastics, inc. 16FW004062
M6	Washer, nylon, 1,57x2,92-6,35 / Inch: 0,062x0,115-0,250	micro plastics, inc. 16FW004062
M8	Screw, M2.5x8, Pan TX Zn Blue	Bossard BN 5128 - 3059633
M9	Washer, Lock, 0,4x2,7-5,5	Bossard BN789-1229176
M10	Washer, nylon, 1,57x2,92-6,35 / Inch: 0,062x0,115-0,250	micro plastics, inc. 16FW004062
M13	Dual locking support post, Richco Part No.: MDLSP1-05M-01	Thorkild Larsen RICHCO-MDLSP1-05M-01
M14	Dual locking support post, Richco Part No.: MDLSP1-05M-01	Thorkild Larsen RICHCO-MDLSP1-05M-01
M16	Screw, M2.5x8, Pan TX Zn Blue	Bossard BN 5128 - 3059633
M17	Washer, Lock, 0,4x2,7-5,5	Bossard BN789-1229176
M21	Newhaven 2x20 character VFD display, MO220MD-202MDA1-1	Newhaven MO220MD-202MDA1-1
M22	PCB, Mounted, DB05AAA, MX150 led carrier board.	Lyngdorf Audio DB05AAA
M24	Screw, M2.5x8, Pan TX Zn Blue	Bossard BN 5128 - 3059633
M25	Washer, Lock, 0,4x2,7-5,5	Bossard BN789-1229176
M29	Dual locking support post, Richco Part No.: MDLSP1-05M-01	Thorkild Larsen RICHCO-MDLSP1-05M-01
M30	Dual locking support post, Richco Part No.: MDLSP1-05M-01	Thorkild Larsen RICHCO-MDLSP1-05M-01
M31	LED spacer, Richco, LEDS2M-220-48	Richco LEDS2M-220-48
M32	LED spacer, Richco, LEDS2M-220-48	Richco LEDS2M-220-48
M33	LED spacer, Richco, LEDS2M-220-48	Richco LEDS2M-220-48
M34	LED spacer, angled, Richco, LEDH-101C-34	LEDH-101C-34
M35	LED spacer, angled, Richco, LEDH-101C-34	LEDH-101C-34
M36	LED spacer, angled, Richco, LEDH-101C-34	LEDH-101C-34
M37	LED spacer, angled, Richco, LEDH-101C-34	LEDH-101C-34
M38	LED spacer, angled, Richco, LEDH-101C-34	LEDH-101C-34
M39	LED spacer, angled, Richco, LEDH-101C-34	LEDH-101C-34
M40	LED spacer, angled, Richco, LEDH-101C-34	LEDH-101C-34
O1	Rotary encoder with metal shaft and heavy torque, 29.5mm high	Noble REB162(9x5)PVB20FINA1-2-24E
O2	Rotary encoder with metal shaft and detents, 29.5mm high	Noble REB162(9x5)PVB20FINA1-2-24PCE
O3	Rotary encoder with metal shaft and detents, 29.5mm high	Noble REB162(9x5)PVB20FINA1-2-24PCE
O4	Rotary encoder with metal shaft and detents, 29.5mm high	Noble REB162(9x5)PVB20FINA1-2-24PCE
M1	Nut, M2.5, St.8, Zn Blue	Bossard BN109-1088254
M7	Nut, M2.5, St.8, Zn Blue	Bossard BN109-1088254
M15	Nut, M2.5, St.8, Zn Blue	Bossard BN109-1088254
M23	Nut, M2.5, St.8, Zn Blue	Bossard BN109-1088254
R1	Resistor, thickfilm, SMD0603, 0.1W, 50V, 100ppm, 100R, 1%	Phycomp 2322 704 61001L
R2	Resistor, thickfilm, SMD0603, 0.1W, 50V, 100ppm, 100R, 1%	Phycomp 2322 704 61001L
R3	Resistor, thickfilm, SMD0603, 0.1W, 50V, 100ppm, 10.0K, 1%	Phycomp 2322 704 61003L
R4	Resistor, thickfilm, SMD0603, 0.1W, 50V, 100ppm, 10.0K, 1%	Phycomp 2322 704 61003L
R5	Resistor, thickfilm, SMD0603, 0.1W, 50V, 100ppm, 100R, 1%	Phycomp 2322 704 61001L
R6	Resistor, thickfilm, SMD0603, 0.1W, 50V, 100ppm, 10.0K, 1%	Phycomp 2322 704 61003L
R7	Resistor, thickfilm, SMD0603, 0.1W, 50V, 100ppm, 100R, 1%	Phycomp 2322 704 61001L
R8	Resistor, thickfilm, SMD0603, 0.1W, 50V, 100ppm, 100R, 1%	Phycomp 2322 704 61001L
R9	Resistor, thickfilm, SMD0603, 0.1W, 50V, 100ppm, 10.0K, 1%	Phycomp 2322 704 61003L

PARTS LIST (Cont'd.)

② FRONT PCB 320348 (FP27C) (Cont'd.)

Ref. No.	Description	AVL
R156	Resistor, thickfilm, SMD0603, 0.1W, 50V, 100ppm, 100R, 1%	Phycomp 2322 704 61001L
R157	Resistor, thickfilm, SMD0603, 0.1W, 50V, 100ppm, 100R, 1%	Phycomp 2322 704 61001L
R158	Resistor, thickfilm, SMD0603, 0.1W, 50V, 100ppm, 100R, 1%	Phycomp 2322 704 61001L
R159	Resistor, thickfilm, SMD0603, 0.1W, 50V, 100ppm, 4.70K, 1%	Phycomp 2322 704 64702L
R160	Resistor, thickfilm, SMD0603, 0.1W, 50V, 100ppm, 4.70K, 1%	Phycomp 2322 704 64702L
R161	Resistor, thickfilm, SMD0603, 0.1W, 50V, 100ppm, 4.70K, 1%	Phycomp 2322 704 64702L
R162	Resistor, thickfilm, SMD0603, 0.1W, 50V, 100ppm, 4.70K, 1%	Phycomp 2322 704 64702L
R163	Resistor, thickfilm, SMD0603, 0.1W, 50V, 100ppm, 4.70K, 1%	Phycomp 2322 704 64702L
R164	Resistor, thickfilm, SMD0603, 0.1W, 50V, 100ppm, 100R, 1%	Phycomp 2322 704 61001L
R165	Resistor, thickfilm, SMD0603, 0.1W, 50V, 100ppm, 4.70K, 1%	Phycomp 2322 704 64702L
R166	Resistor, thickfilm, SMD0603, 1A, 0R	Venkel CR0603-10W-000
R167	Resistor, thickfilm, SMD0603, 0.1W, 50V, 100ppm, 22.0K, 1%	Koa Speer RK73H1JTDD2202F
R168	Resistor, thickfilm, SMD0603, 0.1W, 50V, 100ppm, 22.0K, 1%	Koa Speer RK73H1JTDD2202F
R169	Resistor, thickfilm, SMD0603, 1A, 0R	Venkel CR0603-10W-000
R170	Resistor, thickfilm, SMD0603, 1A, 0R	Venkel CR0603-10W-000
R171	Resistor, thickfilm, SMD0603, 0.1W, 50V, 100ppm, 2.20K, 1%	Koa Speer RK73H1JTDD2201F
R172	Resistor, thickfilm, SMD0603, 0.1W, 50V, 100ppm, 2.20K, 1%	Koa Speer RK73H1JTDD2201F
R173	Resistor, thickfilm, SMD0603, 0.1W, 50V, 100ppm, 2.20K, 1%	Koa Speer RK73H1JTDD2201F
R174	Resistor, thickfilm, SMD0603, 0.1W, 50V, 100ppm, 2.20K, 1%	Koa Speer RK73H1JTDD2201F
R175	Resistor, thickfilm, SMD0603, 0.1W, 50V, 100ppm, 2.20K, 1%	Koa Speer RK73H1JTDD2201F
R176	Resistor, thickfilm, SMD0603, 0.1W, 50V, 100ppm, 2.20K, 1%	Koa Speer RK73H1JTDD2201F
R177	Resistor, thickfilm, SMD0603, 0.1W, 50V, 100ppm, 2.20K, 1%	Koa Speer RK73H1JTDD2201F
R178	Resistor, thickfilm, SMD0603, 0.1W, 50V, 100ppm, 100R, 1%	Phycomp 2322 704 61001L
S1	Switch, Tact, TH, 7x7x5mm, 4 terminal	Alps SKHHPMA010
S2	Switch, Tact, TH, 7x7x5mm, 4 terminal	Alps SKHHPMA010
S3	Switch, Tact, TH, 7x7x7mm, 4 terminal	Alps SKHHQWA010
S4	Switch, Tact, TH, 7x7x5mm, 4 terminal	Alps SKHHPMA010
S5	Switch, Tact, TH, 7x7x5mm, 4 terminal	Alps SKHHPMA010
S6	Switch, Tact, TH, 7x7x5mm, 4 terminal	Alps SKHHPMA010
S7	Switch, Tact, TH, 7x7x5mm, 4 terminal	Alps SKHHPMA010
S8	Switch, Tact, TH, 7x7x5mm, 4 terminal	Alps SKHHPMA010
S9	Switch, Tact, TH, 7x7x5mm, 4 terminal	Alps SKHHPMA010
S10	Switch, Tact, TH, 7x7x5mm, 4 terminal	Alps SKHHPMA010
S11	Switch, Tact, TH, 7x7x5mm, 4 terminal	Alps SKHHPMA010
TR1	Transistor, NPN, SMD SOT-23 case, 32V, 0.1A, general purpose, BCW32	NXP BCW32
TR2	Transistor, NPN, SMD SOT-23 case, 32V, 0.1A, general purpose, BCW32	NXP BCW32
TR3	Transistor, NPN, SMD SOT-23 case, 32V, 0.1A, general purpose, BCW32	NXP BCW32
TR4	Transistor, NPN, SMD SOT-23 case, 32V, 0.1A, general purpose, BCW32	NXP BCW32
TR5	Transistor, NPN, SMD SOT-23 case, 32V, 0.1A, general purpose, BCW32	NXP BCW32
TR6	Transistor, NPN, SMD SOT-23 case, 32V, 0.1A, general purpose, BCW32	NXP BCW32
TR7	Transistor, NPN, SMD SOT-23 case, 32V, 0.1A, general purpose, BCW32	NXP BCW32
TR8	Transistor, NPN, SMD SOT-23 case, 32V, 0.1A, general purpose, BCW32	NXP BCW32
TR9	Transistor, NPN, SMD SOT-23 case, 32V, 0.1A, general purpose, BCW32	NXP BCW32
TR10	Transistor, NPN, SMD SOT-23 case, 32V, 0.1A, general purpose, BCW32	NXP BCW32
TR11	Transistor, NPN, SMD SOT-23 case, 32V, 0.1A, general purpose, BCW32	NXP BCW32
TR12	Transistor, NPN, SMD SOT-23 case, 32V, 0.1A, general purpose, BCW32	NXP BCW32
TR13	Transistor, NPN, SMD SOT-23 case, 32V, 0.1A, general purpose, BCW32	NXP BCW32
TR14	Transistor, NPN, SMD SOT-23 case, 32V, 0.1A, general purpose, BCW32	NXP BCW32
TR15	Transistor, NPN, SMD SOT-23 case, 32V, 0.1A, general purpose, BCW32	NXP BCW32
TR16	Transistor, NPN, SMD SOT-23 case, 32V, 0.1A, general purpose, BCW32	NXP BCW32
TR17	Transistor, NPN, SMD SOT-23 case, 32V, 0.1A, general purpose, BCW32	NXP BCW32
TR18	Transistor, NPN, SMD SOT-23 case, 32V, 0.1A, general purpose, BCW32	NXP BCW32
TR19	Transistor, NPN, SMD SOT-23 case, 32V, 0.1A, general purpose, BCW32	NXP BCW32
TR20	Transistor, NPN, SMD SOT-23 case, 32V, 0.1A, general purpose, BCW32	NXP BCW32
TR21	Transistor, NPN, SMD SOT-23 case, 32V, 0.1A, general purpose, BCW32	NXP BCW32
TR22	Transistor, NPN, SMD SOT-23 case, 32V, 0.1A, general purpose, BCW32	NXP BCW32
TR23	Transistor, NPN, SMD SOT-23 case, 32V, 0.1A, general purpose, BCW32	NXP BCW32
TR24	Transistor, NPN, SMD SOT-23 case, 32V, 0.1A, general purpose, BCW32	NXP BCW32
TR25	Transistor, NPN, SMD SOT-23 case, 32V, 0.1A, general purpose, BCW32	NXP BCW32
TR26	Transistor, NPN, SMD SOT-23 case, 32V, 0.1A, general purpose, BCW32	NXP BCW32
TR27	Transistor, NPN, SMD SOT-23 case, 32V, 0.1A, general purpose, BCW32	NXP BCW32
TR28	Transistor, NPN, SMD SOT-23 case, 32V, 0.1A, general purpose, BCW32	NXP BCW32
TR29	Transistor, NPN, SMD SOT-23 case, 32V, 0.1A, general purpose, BCW32	NXP BCW32
TR30	Transistor, NPN, SMD SOT-23 case, 32V, 0.1A, general purpose, BCW32	NXP BCW32
TR31	Transistor, NPN, SMD SOT-23 case, 32V, 0.1A, general purpose, BCW32	NXP BCW32
TR32	Transistor, NPN, SMD SOT-23 case, 32V, 0.1A, general purpose, BCW32	NXP BCW32
TR33	Transistor, NPN, SMD SOT-23 case, 32V, 0.1A, general purpose, BCW32	NXP BCW32
X1	Connector, pinrow, straight, 2.54mm pitch, 0.64mm sq pin, PCB, TH, male, 5.84mm head, 3.05mm tail, tin, 1x3-way	Sullins PEC03SAAN
X2	Connector, pinrow, straight, 2.54mm pitch, 0.64mm sq pin, PCB, TH, male, 5.84mm head, 3.05mm tail, tin, 2x3-way	Sullins PEC03DAAN
X3	Crystal, SMD HC49/4H case, 7.3728MHz, 50ppm, 18pF load	Citizen HCM49-7.3728MABJ-
X4	Connector, pinrow, straight, 2.54mm pitch, 0.64mm sq pin, PCB, TH, female, gold, 8.64mm body, 3.05mm tail, 2x5-way	Molex 15-44-5810
X5	Connector, box, short latches, TH, DIL 0.1, 40-way, male, straight	Tyco 5499910-9

PARTS LIST (Cont'd.)

② FRONT PCB 320348 (FP27C) (Cont'd.)

Ref. No.	Description	AVL
X6	Connector, pinrow, straight, 2.54mm pitch, 0.64mm sq pin, PCB, TH, female, gold, 8.64mm body, 3.05mm tail, 2x5-way	Molex 15-44-5810
X7	Connector, AMP Micro Match, PCB Through hole, female, 2x10	Tyco 2-215079-0 (REEL)
X8	Connector, AMP Micro Match, PCB Through hole, female, 2x10	Tyco 2-215079-0 (REEL)
X9	Connector, AMP Micro Match, PCB Through hole, female, 2x10	Tyco 2-215079-0 (REEL)
X10	Connector, pinrow, straight, 2.54mm pitch, 0.64mm sq pin, PCB, TH,male, 5.84mm head, 3.05mm tail, gold, 1x2-way	Sullins PBC02SAAN

③ LED PCB 320346 (DB05A)

Ref. No.	Description	AVL
D1	Opto, LED lamp, TH 7x10x6.5mm, 2 LEDs, Yellow 570nm, 20mcd, MU03-4201	Stanley
D2	Opto, LED lamp, TH 7x10x6.5mm, 2 LEDs, Yellow 570nm, 20mcd, MU03-4201	Stanley
D3	Opto, LED lamp, TH 7x10x6.5mm, 2 LEDs, Yellow 570nm, 20mcd, MU03-4201	Stanley
D4	Opto, LED lamp, TH 7x30x6.5mm, 5 LEDs, Yellow 570nm, 42mcd, MU07-4101	Stanley
D5	Opto, LED lamp, TH 7x30x6.5mm, 5 LEDs, Yellow 570nm, 42mcd, MU07-4101	Stanley
D6	Opto, LED lamp, TH 7x10x6.5mm, 2 LEDs, Yellow 570nm, 20mcd, MU03-4201	Stanley
D7	Opto, LED lamp, TH 7x10x6.5mm, 2 LEDs, Yellow 570nm, 20mcd, MU03-4201	Stanley
D8	Opto, LED lamp, TH 7x10x6.5mm, 2 LEDs, Yellow 570nm, 20mcd, MU03-4201	Stanley
D9	Opto, LED lamp, TH 7x10x6.5mm, 2 LEDs, Yellow 570nm, 20mcd, MU03-4201	Stanley
D10	Opto, LED lamp, TH 7x10x6.5mm, 2 LEDs, Yellow 570nm, 20mcd, MU03-4201	Stanley
D11	Opto, LED lamp, TH 7x10x6.5mm, 2 LEDs, Yellow 570nm, 20mcd, MU03-4201	Stanley
D12	Opto, LED lamp, TH 7x30x6.5mm, 5 LEDs, Yellow 570nm, 42mcd, MU07-4101	Stanley
D13	Opto, LED lamp, TH 7x30x6.5mm, 5 LEDs, Yellow 570nm, 42mcd, MU07-4101	Stanley
D14	Opto, LED lamp, TH 7x10x6.5mm, 2 LEDs, Yellow 570nm, 20mcd, MU03-4201	Stanley
D15	Opto, LED lamp, TH 7x10x6.5mm, 2 LEDs, Yellow 570nm, 20mcd, MU03-4201	Stanley
D16	Opto, LED lamp, TH 7x10x6.5mm, 2 LEDs, Yellow 570nm, 20mcd, MU03-4201	Stanley
D17	Opto, LED lamp, TH 7x10x6.5mm, 2 LEDs, Yellow 570nm, 20mcd, MU03-4201	Stanley
D18	Opto, LED lamp, TH 7x10x6.5mm, 2 LEDs, Yellow 570nm, 20mcd, MU03-4201	Stanley
D19	Opto, LED lamp, TH 7x10x6.5mm, 2 LEDs, Yellow 570nm, 20mcd, MU03-4201	Stanley
D20	Opto, LED lamp, TH 7x30x6.5mm, 5 LEDs, Yellow 570nm, 42mcd, MU07-4101	Stanley
D21	Opto, LED lamp, TH 7x30x6.5mm, 5 LEDs, Yellow 570nm, 42mcd, MU07-4101	Stanley
D22	Opto, LED lamp, TH 7x10x6.5mm, 2 LEDs, Yellow 570nm, 20mcd, MU03-4201	Stanley
D23	Opto, LED lamp, TH 7x10x6.5mm, 2 LEDs, Yellow 570nm, 20mcd, MU03-4201	Stanley
D24	Opto, LED lamp, TH 7x10x6.5mm, 2 LEDs, Yellow 570nm, 20mcd, MU03-4201	Stanley
D25	LED frame, 1x1 MU07, Eck Plastics McIntosh 17948	ECK Plastics
D26	LED frame, 1x1 MU07, Eck Plastics McIntosh 17948	ECK Plastics
D27	LED frame, 3x3 MU03, Eck Plastics McIntosh 17714	ECK Plastics
D28	LED frame, 1x1 MU07, Eck Plastics McIntosh 17948	ECK Plastics
D29	LED frame, 1x1 MU07, Eck Plastics McIntosh 17948	ECK Plastics
D30	LED frame, 3x3 MU03, Eck Plastics McIntosh 17714	ECK Plastics
D31	LED frame, 1x1 MU07, Eck Plastics McIntosh 17948	ECK Plastics
D32	LED frame, 1x1 MU07, Eck Plastics McIntosh 17948	ECK Plastics
H111	LED frame, 3x3 MU03, Eck Plastics McIntosh 17714	ECK Plastics
J1	Connector, pinrow, straight, 2.54mm pitch, 0.64mm sq pin, PCB, TH,male, 5.84mm head, 3.05mm tail, gold, 1x12-way	Sullins
J2	Connector, pinrow, straight, 2.54mm pitch, 0.64mm sq pin, PCB, TH,male, 5.84mm head, 3.05mm tail, gold, 1x12-way	Sullins
J3	Connector, pinrow, straight, 2.54mm pitch, 0.64mm sq pin, PCB, TH,male, 5.84mm head, 3.05mm tail, gold, 1x12-way	Sullins
J4	Connector, pinrow, straight, 2.54mm pitch, 0.64mm sq pin, PCB, TH,male, 5.84mm head, 3.05mm tail, gold, 1x12-way	Sullins
J5	Connector, pinrow, straight, 2.54mm pitch, 0.64mm sq pin, PCB, TH,male, 5.84mm head, 3.05mm tail, gold, 1x12-way	Sullins
J6	Connector, pinrow, straight, 2.54mm pitch, 0.64mm sq pin, PCB, TH,male, 5.84mm head, 3.05mm tail, gold, 1x12-way	Sullins

④ INPUT PCB 320349 (IO13)

Ref. No.	Description	AVL
C10	Capacitor, SMD0603, NP0, 100pF, 50V, 10%	AVX 06035A101KAT2A
C11	Capacitor, SMD0603, NP0, 100pF, 50V, 10%	AVX 06035A101KAT2A
C12	Capacitor, SMD0603, NP0, 100pF, 50V, 10%	AVX 06035A101KAT2A
C13	Capacitor, SMD0603, NP0, 100pF, 50V, 10%	AVX 06035A101KAT2A
C14	Capacitor, SMD0603, NP0, 100pF, 50V, 10%	AVX 06035A101KAT2A
C15	Capacitor, SMD0603, NP0, 100pF, 50V, 10%	AVX 06035A101KAT2A
C16	Capacitor, SMD0603, NP0, 100pF, 50V, 10%	AVX 06035A101KAT2A
C17	Capacitor, SMD0603, NP0, 100pF, 50V, 10%	AVX 06035A101KAT2A
C18	Capacitor, SMD0603, NP0, 100pF, 50V, 10%	AVX 06035A101KAT2A
C19	Capacitor, SMD0603, NP0, 100pF, 50V, 10%	AVX 06035A101KAT2A
C20	Capacitor, SMD0603, NP0, 100pF, 50V, 10%	AVX 06035A101KAT2A
C21	Capacitor, SMD0603, NP0, 100pF, 50V, 10%	AVX 06035A101KAT2A
C22	Capacitor, SMD0603, NP0, 100pF, 50V, 10%	AVX 06035A101KAT2A
C23	Capacitor, SMD0603, NP0, 100pF, 50V, 10%	AVX 06035A101KAT2A
C24	Capacitor, SMD0603, NP0, 100pF, 50V, 10%	AVX 06035A101KAT2A
C25	Capacitor, SMD0603, NP0, 100pF, 50V, 10%	AVX 06035A101KAT2A
C26	Capacitor, SMD0603, NP0, 100pF, 50V, 10%	AVX 06035A101KAT2A
C27	Capacitor, SMD0603, NP0, 100pF, 50V, 10%	AVX 06035A101KAT2A
C28	Capacitor, SMD0603, NP0, 100pF, 50V, 10%	AVX 06035A101KAT2A
C29	Capacitor, SMD0603, NP0, 100pF, 50V, 10%	AVX 06035A101KAT2A
C83	Capacitor, SMD0603, X7R, 220nF, 16V, 10%	Phycomp 2238 786 15654

PARTS LIST (Cont'd.)

4 INPUT PCB 320349 (IO13) (Cont'd.)

Ref. No.	Description	AVL
C80	Capacitor, SMD 8.3x10.2mm, AL, 2000hrs, 85C, 470uF, 6.3V, 20%	Panasonic EEEV0JA471P
C81	Capacitor, SMD 8.3x10.2mm, AL, 2000hrs, 85C, 470uF, 6.3V, 20%	Panasonic EEEV0JA471P
C82	Capacitor, SMD0603, X7R, 100nF, 25V, 20%	AVX 06033C104MAT2A
C84	Capacitor, SMD 8.3x10.2mm, AL, 2000hrs, 85C, 470uF, 6.3V, 20%	Panasonic EEEV0JA471P
C85	Capacitor, SMD 8.3x10.2mm, AL, 2000hrs, 85C, 470uF, 6.3V, 20%	Panasonic EEEV0JA471P
C86	Capacitor, SMD0603, X7R, 100nF, 25V, 20%	AVX 06033C104MAT2A
C87	Capacitor, SMD 8.3x10.2mm, AL, 2000hrs, 85C, 470uF, 6.3V, 20%	Panasonic EEEV0JA471P
C88	Capacitor, SMD 8.3x10.2mm, AL, 2000hrs, 85C, 470uF, 6.3V, 20%	Panasonic EEEV0JA471P
C89	Capacitor, SMD0603, X7R, 100nF, 25V, 20%	AVX 06033C104MAT2A
C90	Capacitor, SMD0603, X7R, 220nF, 16V, 10%	Phycomp 2238 786 15654
C91	Capacitor, SMD 6.6x5.4mm, AL, 2000hrs, 85C, 47uF, 16V, 20%	Nichicon UWX1C470MCL1GB
C92	Capacitor, SMD0603, X7R, 100nF, 25V, 20%	AVX 06033C104MAT2A
C93	Capacitor, SMD 8.3x10.2mm, AL, 2000hrs, 85C, 470uF, 6.3V, 20%	Panasonic EEEV0JA471P
C94	Capacitor, SMD 8.3x10.2mm, AL, 2000hrs, 85C, 470uF, 6.3V, 20%	Panasonic EEEV0JA471P
C95	Capacitor, SMD0603, X7R, 220nF, 16V, 10%	Phycomp 2238 786 15654
C96	Capacitor, SMD0603, X7R, 220nF, 16V, 10%	Phycomp 2238 786 15654
C97	Capacitor, SMD0603, X7R, 100nF, 25V, 20%	AVX 06033C104MAT2A
C98	Capacitor, SMD 6.6x5.4mm, AL, 2000hrs, 85C, 47uF, 16V, 20%	Nichicon UWX1C470MCL1GB
C99	Capacitor, SMD 6.6x5.4mm, AL, 2000hrs, 85C, 47uF, 16V, 20%	Nichicon UWX1C470MCL1GB
C100	Capacitor, SMD 6.6x5.4mm, AL, 2000hrs, 85C, 47uF, 16V, 20%	Nichicon UWX1C470MCL1GB
C101	Capacitor, SMD0603, X7R, 100nF, 25V, 20%	AVX 06033C104MAT2A
C102	Capacitor, SMD0603, X7R, 100nF, 25V, 20%	AVX 06033C104MAT2A
C103	Capacitor, SMD0603, X7R, 100nF, 25V, 20%	AVX 06033C104MAT2A
C104	Capacitor, SMD0603, X7R, 100nF, 25V, 20%	AVX 06033C104MAT2A
C105	Capacitor, SMD 6.6x5.4mm, AL, 2000hrs, 85C, 47uF, 16V, 20%	Nichicon UWX1C470MCL1GB
C106	Capacitor, SMD0603, X7R, 100nF, 25V, 20%	AVX 06033C104MAT2A
C107	Capacitor, SMD0603, X7R, 10nF, 25V, 10%	AVX 06033C103KAT2A
C108	Capacitor, SMD1206, X7R, 2.2uF, 10V, 20%	AVX 1206YC225MAT2A
C150	Capacitor, SMD0603, NP0, 22pF, 50V, 10%	AVX 06035A220KAT2A
C151	Capacitor, SMD0603, NP0, 100pF, 50V, 10%	AVX 06035A101KAT2A
C152	Capacitor, SMD0603, NP0, 22pF, 50V, 10%	AVX 06035A220KAT2A
C153	Capacitor, SMD 5.3x5.4mm, AL, 2000hrs, 85C, 47uF, 6.3V, 20%	Nichicon UWX0J470MCL1GB
C154	Capacitor, SMD 5.3x5.4mm, AL, 2000hrs, 85C, 47uF, 6.3V, 20%	Nichicon UWX0J470MCL1GB
C155	Capacitor, SMD0603, NP0, 22pF, 50V, 10%	AVX 06035A220KAT2A
C156	Capacitor, SMD0603, NP0, 22pF, 50V, 10%	AVX 06035A220KAT2A
C157	Capacitor, SMD0603, NP0, 100pF, 50V, 10%	AVX 06035A101KAT2A
C158	Capacitor, SMD0603, NP0, 22pF, 50V, 10%	AVX 06035A220KAT2A
C159	Capacitor, SMD0603, NP0, 100pF, 50V, 10%	AVX 06035A101KAT2A
C160	Capacitor, SMD0603, NP0, 100pF, 50V, 10%	AVX 06035A101KAT2A
C161	Capacitor, SMD0603, NP0, 100pF, 50V, 10%	AVX 06035A101KAT2A
C162	Capacitor, SMD0603, NP0, 100pF, 50V, 10%	AVX 06035A101KAT2A
C163	Capacitor, SMD0603, NP0, 22pF, 50V, 10%	AVX 06035A220KAT2A
C164	Capacitor, SMD0603, NP0, 100pF, 50V, 10%	AVX 06035A101KAT2A
C165	Capacitor, SMD0603, NP0, 22pF, 50V, 10%	AVX 06035A220KAT2A
C166	Capacitor, SMD 5.3x5.4mm, AL, 2000hrs, 85C, 47uF, 6.3V, 20%	Nichicon UWX0J470MCL1GB
C167	Capacitor, SMD 5.3x5.4mm, AL, 2000hrs, 85C, 47uF, 6.3V, 20%	Nichicon UWX0J470MCL1GB
C168	Capacitor, SMD0603, NP0, 22pF, 50V, 10%	AVX 06035A220KAT2A
C169	Capacitor, SMD0603, NP0, 22pF, 50V, 10%	AVX 06035A220KAT2A
C170	Capacitor, SMD0603, NP0, 100pF, 50V, 10%	AVX 06035A101KAT2A
C171	Capacitor, SMD0603, NP0, 22pF, 50V, 10%	AVX 06035A220KAT2A
C172	Capacitor, SMD 5.0x5.4mm, AL, 2000hrs, 85C, 47uF, 16V, 20%	Nichicon UWR1C470MCL1GB
C173	Capacitor, SMD 5.0x5.4mm, AL, 2000hrs, 85C, 47uF, 16V, 20%	Nichicon UWR1C470MCL1GB
C174	Capacitor, SMD0603, X7R, 100nF, 25V, 20%	AVX 06033C104MAT2A
C175	Capacitor, SMD0603, X7R, 100nF, 25V, 20%	AVX 06033C104MAT2A
C176	Capacitor, SMD0603, X7R, 100nF, 25V, 20%	AVX 06033C104MAT2A
C177	Capacitor, SMD0603, X7R, 100nF, 25V, 20%	AVX 06033C104MAT2A
C178	Capacitor, SMD 5.0x5.4mm, AL, 2000hrs, 85C, 47uF, 16V, 20%	Nichicon UWR1C470MCL1GB
C179	Capacitor, SMD 5.0x5.4mm, AL, 2000hrs, 85C, 47uF, 16V, 20%	Nichicon UWR1C470MCL1GB
C180	Capacitor, SMD 5.0x5.4mm, AL, 2000hrs, 85C, 47uF, 16V, 20%	Nichicon UWR1C470MCL1GB
C181	Capacitor, SMD 5.0x5.4mm, AL, 2000hrs, 85C, 47uF, 16V, 20%	Nichicon UWR1C470MCL1GB
C184	Capacitor, SMD 5.0x5.4mm, AL, 2000hrs, 85C, 47uF, 16V, 20%	Nichicon UWR1C470MCL1GB
C188	Capacitor, SMD 5.0x5.4mm, AL, 2000hrs, 85C, 47uF, 16V, 20%	Nichicon UWR1C470MCL1GB
C189	Capacitor, SMD 5.0x5.4mm, AL, 2000hrs, 85C, 47uF, 16V, 20%	Nichicon UWR1C470MCL1GB
C192	Capacitor, SMD 5.0x5.4mm, AL, 2000hrs, 85C, 47uF, 16V, 20%	Nichicon UWR1C470MCL1GB
C193	Capacitor, SMD 5.0x5.4mm, AL, 2000hrs, 85C, 47uF, 16V, 20%	Nichicon UWR1C470MCL1GB
C182	Capacitor, SMD0603, X7R, 100nF, 25V, 20%	AVX 06033C104MAT2A
C183	Capacitor, SMD0603, X7R, 100nF, 25V, 20%	AVX 06033C104MAT2A
C185	Capacitor, SMD0603, X7R, 100nF, 25V, 20%	AVX 06033C104MAT2A
C186	Capacitor, SMD0603, X7R, 100nF, 25V, 20%	AVX 06033C104MAT2A
C187	Capacitor, SMD0603, X7R, 100nF, 25V, 20%	AVX 06033C104MAT2A
C190	Capacitor, SMD0603, X7R, 100nF, 25V, 20%	AVX 06033C104MAT2A
C191	Capacitor, SMD0603, X7R, 100nF, 25V, 20%	AVX 06033C104MAT2A

PARTS LIST (Cont'd.)

4 INPUT PCB 320349 (IO13) (Cont'd.)

Ref. No.	Description	AVL
C300_O1	Capacitor, SMD1206, X7R, 4.7uF, 25V, 10%	AVX 12063C475KAT2A
C300_O2	Capacitor, SMD1206, X7R, 4.7uF, 25V, 10%	AVX 12063C475KAT2A
C300_O3	Capacitor, SMD1206, X7R, 4.7uF, 25V, 10%	AVX 12063C475KAT2A
C300_O4	Capacitor, SMD1206, X7R, 4.7uF, 25V, 10%	AVX 12063C475KAT2A
C301_O1	Capacitor, SMD0603, X7R, 100nF, 25V, 20%	AVX 06033C104MAT2A
C301_O2	Capacitor, SMD0603, X7R, 100nF, 25V, 20%	AVX 06033C104MAT2A
C301_O3	Capacitor, SMD0603, X7R, 100nF, 25V, 20%	AVX 06033C104MAT2A
C301_O4	Capacitor, SMD0603, X7R, 100nF, 25V, 20%	AVX 06033C104MAT2A
C302_O1	Capacitor, SMD 5.3x5.4mm, AL, 2000hrs, 85C, 47uF, 6.3V, 20%	Nichicon UWX0J470MCL1GB
C302_O2	Capacitor, SMD 5.3x5.4mm, AL, 2000hrs, 85C, 47uF, 6.3V, 20%	Nichicon UWX0J470MCL1GB
C302_O3	Capacitor, SMD 5.3x5.4mm, AL, 2000hrs, 85C, 47uF, 6.3V, 20%	Nichicon UWX0J470MCL1GB
C302_O4	Capacitor, SMD 5.3x5.4mm, AL, 2000hrs, 85C, 47uF, 6.3V, 20%	Nichicon UWX0J470MCL1GB
C303_O1	Capacitor, SMD0603, X7R, 100nF, 25V, 20%	AVX 06033C104MAT2A
C303_O2	Capacitor, SMD0603, X7R, 100nF, 25V, 20%	AVX 06033C104MAT2A
C303_O3	Capacitor, SMD0603, X7R, 100nF, 25V, 20%	AVX 06033C104MAT2A
C303_O4	Capacitor, SMD0603, X7R, 100nF, 25V, 20%	AVX 06033C104MAT2A
C304_O1	Capacitor, SMD0603, X7R, 100nF, 25V, 20%	AVX 06033C104MAT2A
C304_O2	Capacitor, SMD0603, X7R, 100nF, 25V, 20%	AVX 06033C104MAT2A
C304_O3	Capacitor, SMD0603, X7R, 100nF, 25V, 20%	AVX 06033C104MAT2A
C304_O4	Capacitor, SMD0603, X7R, 100nF, 25V, 20%	AVX 06033C104MAT2A
C310	Capacitor, SMD0805, X7R, 100nF, 50V, 20%	AVX 08055C104MAT2A
C311	Capacitor, SMD0805, X7R, 100nF, 50V, 20%	AVX 08055C104MAT2A
C312	Capacitor, SMD0603, NP0, 33pF, 50V, 10%	AVX 06035A330KAT2A
C313	Capacitor, SMD0805, X7R, 100nF, 50V, 20%	AVX 08055C104MAT2A
C314	Capacitor, SMD0805, X7R, 100nF, 50V, 20%	AVX 08055C104MAT2A
C315	Capacitor, SMD0805, X7R, 100nF, 50V, 20%	AVX 08055C104MAT2A
C316	Capacitor, SMD0603, NP0, 33pF, 50V, 10%	AVX 06035A330KAT2A
C317	Capacitor, SMD0805, X7R, 100nF, 50V, 20%	AVX 08055C104MAT2A
C318	Capacitor, SMD0805, X7R, 100nF, 50V, 20%	AVX 08055C104MAT2A
C319	Capacitor, SMD0805, X7R, 100nF, 50V, 20%	AVX 08055C104MAT2A
C320	Capacitor, SMD0603, NP0, 33pF, 50V, 10%	AVX 06035A330KAT2A
C321	Capacitor, SMD0805, X7R, 100nF, 50V, 20%	AVX 08055C104MAT2A
C322	Capacitor, SMD0805, X7R, 100nF, 50V, 20%	AVX 08055C104MAT2A
C323	Capacitor, SMD0805, X7R, 100nF, 50V, 20%	AVX 08055C104MAT2A
C324	Capacitor, SMD0603, NP0, 33pF, 50V, 10%	AVX 06035A330KAT2A
C325	Capacitor, SMD0805, X7R, 100nF, 50V, 20%	AVX 08055C104MAT2A
C326	Capacitor, SMD 5.3x5.4mm, AL, 2000hrs, 85C, 47uF, 6.3V, 20%	Nichicon UWX0J470MCL1GB
C327	Capacitor, SMD0805, X7R, 100nF, 50V, 20%	AVX 08055C104MAT2A
C328	Capacitor, SMD0805, X7R, 100nF, 50V, 20%	AVX 08055C104MAT2A
C329	Capacitor, SMD0805, X7R, 100nF, 50V, 20%	AVX 08055C104MAT2A
C330	Capacitor, SMD0805, X7R, 100nF, 50V, 20%	AVX 08055C104MAT2A
C331	Capacitor, SMD0805, X7R, 100nF, 50V, 20%	AVX 08055C104MAT2A
C332	Capacitor, SMD0805, X7R, 100nF, 50V, 20%	AVX 08055C104MAT2A
C333	Capacitor, SMD0805, X7R, 100nF, 50V, 20%	AVX 08055C104MAT2A
C334	Capacitor, SMD0805, X7R, 100nF, 50V, 20%	AVX 08055C104MAT2A
C335	Capacitor, SMD 5.3x5.4mm, AL, 2000hrs, 85C, 47uF, 6.3V, 20%	Nichicon UWX0J470MCL1GB
C336	Capacitor, SMD0805, X7R, 100nF, 50V, 20%	AVX 08055C104MAT2A
C337	Capacitor, SMD0805, X7R, 100nF, 50V, 20%	AVX 08055C104MAT2A
C338	Capacitor, SMD0805, X7R, 100nF, 50V, 20%	AVX 08055C104MAT2A
C339	Capacitor, SMD0805, X7R, 100nF, 50V, 20%	AVX 08055C104MAT2A
C340	Capacitor, SMD0603, NP0, 33pF, 50V, 10%	AVX 06035A330KAT2A
C341	Capacitor, SMD0805, X7R, 100nF, 50V, 20%	AVX 08055C104MAT2A
C342	Capacitor, SMD0805, X7R, 100nF, 50V, 20%	AVX 08055C104MAT2A
C343	Capacitor, SMD0805, X7R, 100nF, 50V, 20%	AVX 08055C104MAT2A
C344	Capacitor, SMD0603, NP0, 33pF, 50V, 10%	AVX 06035A330KAT2A
C345	Capacitor, SMD0805, X7R, 100nF, 50V, 20%	AVX 08055C104MAT2A
C346	Capacitor, SMD0805, X7R, 100nF, 50V, 20%	AVX 08055C104MAT2A
C347	Capacitor, SMD0603, NP0, 22pF, 50V, 10%	AVX 06035A220KAT2A
C348	Capacitor, SMD0805, X7R, 100nF, 50V, 20%	AVX 08055C104MAT2A
C349	Capacitor, SMD1206, X7R, 4.7uF, 25V, 10%	AVX 12063C475KAT2A
C350	Capacitor, SMD0805, X7R, 100nF, 50V, 20%	AVX 08055C104MAT2A
C351	Capacitor, SMD0603, NP0, 100pF, 50V, 10%	AVX 06035A101KAT2A
C352	Capacitor, SMD0805, X7R, 10nF, 200V, 5%	AVX 08052C103JAT2A
C400	Capacitor, SMD 5.3x5.4mm, AL, 2000hrs, 85C, 47uF, 6.3V, 20%	Nichicon UWX0J470MCL1GB
C401	Capacitor, SMD0805, X7R, 100nF, 50V, 20%	AVX 08055C104MAT2A
C402	Capacitor, SMD0805, X7R, 100nF, 50V, 20%	AVX 08055C104MAT2A
C403	Capacitor, SMD0805, X7R, 100nF, 50V, 20%	AVX 08055C104MAT2A
C404	Capacitor, SMD0805, X7R, 100nF, 50V, 20%	AVX 08055C104MAT2A
C405	Capacitor, SMD0805, X7R, 100nF, 50V, 20%	AVX 08055C104MAT2A
C406	Capacitor, SMD0805, X7R, 100nF, 50V, 20%	AVX 08055C104MAT2A
C407	Capacitor, SMD1206, X7R, 10uF, 10V, 20%	AVX 1206ZC106MAT2A
C408	Capacitor, SMD0805, X7R, 100nF, 50V, 20%	AVX 08055C104MAT2A

PARTS LIST (Cont'd.)

4 INPUT PCB 320349 (IO13) (Cont'd.)

Ref. No.	Description	AVL
C507	Capacitor, SMD0603, NP0, 22pF, 50V, 10%	AVX 06035A220KAT2A
C508	Capacitor, SMD 5.3x5.4mm, AL, 2000hrs, 85C, 47uF, 6.3V, 20%	Nichicon UWX0J470MCL1GB
C512	Capacitor, SMD 5.3x5.4mm, AL, 2000hrs, 85C, 47uF, 6.3V, 20%	Nichicon UWX0J470MCL1GB
C607	Capacitor, SMD0603, NP0, 22pF, 50V, 10%	AVX 06035A220KAT2A
C608	Capacitor, SMD0603, NP0, 22pF, 50V, 10%	AVX 06035A220KAT2A
C609	Capacitor, SMD0603, NP0, 22pF, 50V, 10%	AVX 06035A220KAT2A
C610	Capacitor, SMD0603, NP0, 22pF, 50V, 10%	AVX 06035A220KAT2A
C611	Capacitor, SMD0603, NP0, 22pF, 50V, 10%	AVX 06035A220KAT2A
C612	Capacitor, SMD0603, NP0, 22pF, 50V, 10%	AVX 06035A220KAT2A
C613	Capacitor, SMD0603, NP0, 22pF, 50V, 10%	AVX 06035A220KAT2A
C614	Capacitor, SMD0603, NP0, 22pF, 50V, 10%	AVX 06035A220KAT2A
C615	Capacitor, SMD0603, NP0, 22pF, 50V, 10%	AVX 06035A220KAT2A
C616	Capacitor, SMD0603, NP0, 22pF, 50V, 10%	AVX 06035A220KAT2A
C617	Capacitor, SMD0603, NP0, 22pF, 50V, 10%	AVX 06035A220KAT2A
C618	Capacitor, SMD0603, NP0, 22pF, 50V, 10%	AVX 06035A220KAT2A
C619	Capacitor, SMD0603, NP0, 22pF, 50V, 10%	AVX 06035A220KAT2A
C620	Capacitor, SMD0603, NP0, 22pF, 50V, 10%	AVX 06035A220KAT2A
C621	Capacitor, SMD0603, NP0, 22pF, 50V, 10%	AVX 06035A220KAT2A
C622	Capacitor, SMD0603, NP0, 22pF, 50V, 10%	AVX 06035A220KAT2A
C623	Capacitor, SMD0603, NP0, 22pF, 50V, 10%	AVX 06035A220KAT2A
C624	Capacitor, SMD0603, NP0, 22pF, 50V, 10%	AVX 06035A220KAT2A
C625	Capacitor, SMD0603, NP0, 22pF, 50V, 10%	AVX 06035A220KAT2A
C810	Capacitor, SMD0603, NP0, 22pF, 50V, 10%	AVX 06035A220KAT2A
C825	Capacitor, SMD0603, NP0, 22pF, 50V, 10%	AVX 06035A220KAT2A
C802	Capacitor, SMD0603, NP0, 47pF, 50V, 10%	AVX 06035A470KAT2A
C902	Capacitor, SMD0603, NP0, 100pF, 50V, 10%	AVX 06035A101KAT2A
C912	Capacitor, SMD0603, NP0, 100pF, 50V, 10%	AVX 06035A101KAT2A
C952	Capacitor, SMD0603, NP0, 100pF, 50V, 10%	AVX 06035A101KAT2A
C962	Capacitor, SMD0603, NP0, 100pF, 50V, 10%	AVX 06035A101KAT2A
C903	Capacitor, SMD0603, NP0, 470pF, 50V, 5%	AVX 06035A471JAT2A
C913	Capacitor, SMD0603, NP0, 470pF, 50V, 5%	AVX 06035A471JAT2A
C953	Capacitor, SMD0603, NP0, 470pF, 50V, 5%	AVX 06035A471JAT2A
C963	Capacitor, SMD0603, NP0, 470pF, 50V, 5%	AVX 06035A471JAT2A
C732	Capacitor, SMD0603, NP0, 390pF, 50V, 5%	AVX 06035A391JAT2A
C733	Capacitor, SMD0603, NP0, 390pF, 50V, 5%	AVX 06035A391JAT2A
C900	Capacitor, SMD0805, NP0, 1.2nF, 50V, 2%	AVX 08055A122GAT2A
C904	Capacitor, SMD0805, NP0, 1.2nF, 50V, 2%	AVX 08055A122GAT2A
C905	Capacitor, SMD0805, NP0, 1.2nF, 50V, 2%	AVX 08055A122GAT2A
C911	Capacitor, SMD0805, NP0, 1.2nF, 50V, 2%	AVX 08055A122GAT2A
C950	Capacitor, SMD0805, NP0, 1.2nF, 50V, 2%	AVX 08055A122GAT2A
C954	Capacitor, SMD0805, NP0, 1.2nF, 50V, 2%	AVX 08055A122GAT2A
C955	Capacitor, SMD0805, NP0, 1.2nF, 50V, 2%	AVX 08055A122GAT2A
C961	Capacitor, SMD0805, NP0, 1.2nF, 50V, 2%	AVX 08055A122GAT2A
C906	Capacitor, SMD0805, NP0, 2.2nF, 50V, 2%	AVX 08055A222GAT2A
C956	Capacitor, SMD0805, NP0, 2.2nF, 50V, 2%	AVX 08055A222GAT2A
C516	Capacitor, SMD0603, X7R, 100nF, 25V, 20%	AVX 06033C104MAT2A
C723	Capacitor, SMD0603, X7R, 100nF, 25V, 20%	AVX 06033C104MAT2A
C726	Capacitor, SMD0603, X7R, 100nF, 25V, 20%	AVX 06033C104MAT2A
C727	Capacitor, SMD0603, X7R, 100nF, 25V, 20%	AVX 06033C104MAT2A
C728	Capacitor, SMD0603, X7R, 100nF, 25V, 20%	AVX 06033C104MAT2A
C729	Capacitor, SMD0603, X7R, 100nF, 25V, 20%	AVX 06033C104MAT2A
C816	Capacitor, SMD0603, X7R, 100nF, 25V, 20%	AVX 06033C104MAT2A
C817	Capacitor, SMD0603, X7R, 100nF, 25V, 20%	AVX 06033C104MAT2A
C908	Capacitor, SMD0603, X7R, 100nF, 25V, 20%	AVX 06033C104MAT2A
C909	Capacitor, SMD0603, X7R, 100nF, 25V, 20%	AVX 06033C104MAT2A
C914	Capacitor, SMD0603, X7R, 100nF, 25V, 20%	AVX 06033C104MAT2A
C915	Capacitor, SMD0603, X7R, 100nF, 25V, 20%	AVX 06033C104MAT2A
C916	Capacitor, SMD0603, X7R, 100nF, 25V, 20%	AVX 06033C104MAT2A
C958	Capacitor, SMD0603, X7R, 100nF, 25V, 20%	AVX 06033C104MAT2A
C959	Capacitor, SMD0603, X7R, 100nF, 25V, 20%	AVX 06033C104MAT2A
C964	Capacitor, SMD0603, X7R, 100nF, 25V, 20%	AVX 06033C104MAT2A
C965	Capacitor, SMD0603, X7R, 100nF, 25V, 20%	AVX 06033C104MAT2A
C966	Capacitor, SMD0603, X7R, 100nF, 25V, 20%	AVX 06033C104MAT2A
C509	Capacitor, SMD0805, X7R, 100nF, 50V, 20%	AVX 08055C104MAT2A
C510	Capacitor, SMD0805, X7R, 100nF, 50V, 20%	AVX 08055C104MAT2A
C511	Capacitor, SMD0805, X7R, 100nF, 50V, 20%	AVX 08055C104MAT2A
C513	Capacitor, SMD0805, X7R, 100nF, 50V, 20%	AVX 08055C104MAT2A
C514	Capacitor, SMD0805, X7R, 100nF, 50V, 20%	AVX 08055C104MAT2A
C515	Capacitor, SMD0805, X7R, 100nF, 50V, 20%	AVX 08055C104MAT2A
C600	Capacitor, SMD 5.3x5.4mm, AL, 2000hrs, 85C, 47uF, 6.3V, 20%	Nichicon UWX0J470MCL1GB
C601	Capacitor, SMD0805, X7R, 100nF, 50V, 20%	AVX 08055C104MAT2A

PARTS LIST (Cont'd.)

4 INPUT PCB 320349 (IO13) (Cont'd.)

Ref. No.	Description	AVL
C602	Capacitor, SMD0805, X7R, 100nF, 50V, 20%	AVX 08055C104MAT2A
C603	Capacitor, SMD0805, X7R, 100nF, 50V, 20%	AVX 08055C104MAT2A
C604	Capacitor, SMD0805, X7R, 100nF, 50V, 20%	AVX 08055C104MAT2A
C605	Capacitor, SMD0805, X7R, 100nF, 50V, 20%	AVX 08055C104MAT2A
C606	Capacitor, SMD0805, X7R, 100nF, 50V, 20%	AVX 08055C104MAT2A
C700	Capacitor, SMD0805, X7R, 100nF, 50V, 20%	AVX 08055C104MAT2A
C701	Capacitor, TH 10x25mm radial, AL, 4000hrs, 105C, 820uF, 25V, 18mR, 2.47A, 20%	Panasonic EEUFM1E821L
C703	Capacitor, TH 10x25mm radial, AL, 4000hrs, 105C, 820uF, 25V, 18mR, 2.47A, 20%	Panasonic EEUFM1E821L
C705	Capacitor, TH 10x25mm radial, AL, 4000hrs, 105C, 820uF, 25V, 18mR, 2.47A, 20%	Panasonic EEUFM1E821L
C702	Capacitor, SMD0805, X7R, 100nF, 50V, 20%	AVX 08055C104MAT2A
C704	Capacitor, SMD0805, X7R, 100nF, 50V, 20%	AVX 08055C104MAT2A
C716	Capacitor, SMD 8.3x6.2mm, AL, 2000hrs, 85C, 100uF, 25V, 20%	Panasonic EEE1EA101UP
C717	Capacitor, SMD 8.3x6.2mm, AL, 2000hrs, 85C, 100uF, 25V, 20%	Panasonic EEE1EA101UP
C718	Capacitor, SMD1206, X7R, 1uF, 16V, 10%	AVX 1206YC105KAT2A
C719	Capacitor, SMD1206, X7R, 1uF, 16V, 10%	AVX 1206YC105KAT2A
C720	Capacitor, SMD 5.3x5.4mm, AL, 2000hrs, 85C, 100uF, 6.3V, 20%	Nichicon UWR0J101MCL1GB
C721	Capacitor, SMD1206, X7R, 1uF, 16V, 10%	AVX 1206YC105KAT2A
C722	Capacitor, SMD1206, X7R, 1uF, 16V, 10%	AVX 1206YC105KAT2A
C724	Capacitor, SMD1206, X7R, 10uF, 10V, 20%	AVX 1206ZC106MAT2A
C725	Capacitor, SMD1206, X7R, 10uF, 10V, 20%	AVX 1206ZC106MAT2A
C730	Capacitor, SMD1206, X7R, 10uF, 10V, 20%	AVX 1206ZC106MAT2A
C731	Capacitor, SMD0603, NP0, 1nF, 25V, 2%	AVX 06033A102GAT2A
C734	Capacitor, SMD 5.3x5.4mm, AL, 2000hrs, 85C, 100uF, 6.3V, 20%	Nichicon UWR0J101MCL1GB
C735	Capacitor, SMD1206, X7R, 1uF, 16V, 10%	AVX 1206YC105KAT2A
C736	Capacitor, SMD1206, X7R, 1uF, 16V, 10%	AVX 1206YC105KAT2A
D800	Diode, schottky, dual, separate diodes, SMD, 40V, 0.12A, 0.5Vf/10mA, SOT-143B case, BAS40-07	Philips BAS40-07
C818	Capacitor, SMD 6.3x5.4mm, AL, 2000hrs, 85C, 47uF, 25V, 20%	Panasonic EEE1EA470WP
C819	Capacitor, SMD0805, X7R, 100nF, 50V, 20%	AVX 08055C104MAT2A
C820	Capacitor, SMD0805, X7R, 100nF, 50V, 20%	AVX 08055C104MAT2A
C821	Capacitor, SMD 6.3x5.4mm, AL, 2000hrs, 85C, 47uF, 25V, 20%	Panasonic EEE1EA470WP
C822	Capacitor, SMD 5.0x5.4mm, AL, 2000hrs, 85C, 47uF, 16V, 20%	Nichicon UWR1C470MCL1GB
C823	Capacitor, SMD 5.0x5.4mm, AL, 2000hrs, 85C, 47uF, 16V, 20%	Nichicon UWR1C470MCL1GB
C824	Capacitor, SMD 5.0x5.4mm, AL, 2000hrs, 85C, 47uF, 16V, 20%	Nichicon UWR1C470MCL1GB
C901	Capacitor, SMD 5.3x5.4mm, AL, 2000hrs, 85C, 100uF, 6.3V, 20%	Nichicon UWR0J101MCL1GB
C907	Capacitor, SMD 6.3x5.4mm, AL, 2000hrs, 85C, 47uF, 25V, 20%	Panasonic EEE1EA470WP
C910	Capacitor, SMD 5.3x5.4mm, AL, 2000hrs, 85C, 100uF, 6.3V, 20%	Nichicon UWR0J101MCL1GB
C917	Capacitor, SMD 8.3x10.2mm, AL, 2000hrs, 85C, 470uF, 6.3V, 20%	Panasonic EEEV0JA471P
C918	Capacitor, SMD 6.3x5.4mm, AL, 2000hrs, 85C, 47uF, 25V, 20%	Panasonic EEE1EA470WP
C951	Capacitor, SMD 5.3x5.4mm, AL, 2000hrs, 85C, 100uF, 6.3V, 20%	Nichicon UWR0J101MCL1GB
C957	Capacitor, SMD 6.3x5.4mm, AL, 2000hrs, 85C, 47uF, 25V, 20%	Panasonic EEE1EA470WP
C960	Capacitor, SMD 5.3x5.4mm, AL, 2000hrs, 85C, 100uF, 6.3V, 20%	Nichicon UWR0J101MCL1GB
C967	Capacitor, SMD 8.3x10.2mm, AL, 2000hrs, 85C, 470uF, 6.3V, 20%	Panasonic EEEV0JA471P
C968	Capacitor, SMD 6.3x5.4mm, AL, 2000hrs, 85C, 47uF, 25V, 20%	Panasonic EEE1EA470WP
D80	Diode, dual, series connected, SMD, 70V, 0.2A, 6nS, SOT-23-3 case, BAV99	Fairchild BAV99
D1_R7	Diode, dual, common cathode, SMD, 70V, 0.2A, 6nS, SOT-23-3 case, BAV70	Fairchild BAV70
D1_R9	Diode, dual, common cathode, SMD, 70V, 0.2A, 6nS, SOT-23-3 case, BAV70	Fairchild BAV70
D2_R1	Diode, dual, common cathode, SMD, 70V, 0.2A, 6nS, SOT-23-3 case, BAV70	Fairchild BAV70
D2_R2	Diode, dual, common cathode, SMD, 70V, 0.2A, 6nS, SOT-23-3 case, BAV70	Fairchild BAV70
D2_R3	Diode, dual, common cathode, SMD, 70V, 0.2A, 6nS, SOT-23-3 case, BAV70	Fairchild BAV70
D2_R4	Diode, dual, common cathode, SMD, 70V, 0.2A, 6nS, SOT-23-3 case, BAV70	Fairchild BAV70
D2_R5	Diode, dual, common cathode, SMD, 70V, 0.2A, 6nS, SOT-23-3 case, BAV70	Fairchild BAV70
D2_R6	Diode, dual, common cathode, SMD, 70V, 0.2A, 6nS, SOT-23-3 case, BAV70	Fairchild BAV70
D150	Diode, dual, series connected, SMD, 70V, 0.2A, 6nS, SOT-23-3 case, BAV99	Fairchild BAV99
D151	Diode, dual, series connected, SMD, 70V, 0.2A, 6nS, SOT-23-3 case, BAV99	Fairchild BAV99
D152	Diode, dual, common cathode, SMD, 70V, 0.2A, 6nS, SOT-23-3 case, BAV70	Fairchild BAV70
D153	Diode, dual, series connected, SMD, 70V, 0.2A, 6nS, SOT-23-3 case, BAV99	Fairchild BAV99
D154	Diode, dual, series connected, SMD, 70V, 0.2A, 6nS, SOT-23-3 case, BAV99	Fairchild BAV99
D155	Diode, zener, single, SMD, 5.1V, 5%, 0.35W, SOT-23-3 case, BZX84C5V1	Philips BZX84C5V1
D700	Diode, schottky, single, SMD, 30V, 0.2A, 0.35Vf/10mA, SOT-23-3 case, BAT54LT1G	On Semiconductor BAT54LT1G
D701	Diode, schottky, single, SMD, 30V, 0.2A, 0.35Vf/10mA, SOT-23-3 case, BAT54LT1G	On Semiconductor BAT54LT1G
D702	Diode, schottky, single, SMD, 20V, 1A, 0.45Vf/1A, Powermite 457 case, MBRM120LT1G	On Semiconductor MBRM120LT1G
D703	Diode, schottky, single, SMD, 20V, 1A, 0.45Vf/1A, Powermite 457 case, MBRM120LT1G	On Semiconductor MBRM120LT1G
D802	Diode, zener, single, SMD, 12V, 5%, 0.35W, SOT-23-3 case, BZX84C12V	Diodes Inc. BZX84C12VW-7
D900	Diode, dual, series connected, SMD, 70V, 0.2A, 6nS, SOT-23-3 case, BAV99	Fairchild BAV99
D901	Diode, dual, series connected, SMD, 70V, 0.2A, 6nS, SOT-23-3 case, BAV99	Fairchild BAV99
D950	Diode, dual, series connected, SMD, 70V, 0.2A, 6nS, SOT-23-3 case, BAV99	Fairchild BAV99
D951	Diode, dual, series connected, SMD, 70V, 0.2A, 6nS, SOT-23-3 case, BAV99	Fairchild BAV99
E150	Relay, monostable, 5V coil, DPDT, gold contacts, SMD, G6J-2FS-Y 5VDC	Omron G6J-2FS-Y 5VDC
E1_R1	Relay, monostable, 5V coil, DPDT, gold contacts, SMD, G6J-2FS-Y 5VDC	Omron G6J-2FS-Y 5VDC
E1_R2	Relay, monostable, 5V coil, DPDT, gold contacts, SMD, G6J-2FS-Y 5VDC	Omron G6J-2FS-Y 5VDC
E1_R3	Relay, monostable, 5V coil, DPDT, gold contacts, SMD, G6J-2FS-Y 5VDC	Omron G6J-2FS-Y 5VDC
E1_R4	Relay, monostable, 5V coil, DPDT, gold contacts, SMD, G6J-2FS-Y 5VDC	Omron G6J-2FS-Y 5VDC

PARTS LIST (Cont'd.)

4 INPUT PCB 320349 (IO13) (Cont'd.)

Ref. No.	Description	AVL
E1_R5	Relay, monostable, 5V coil, DPDT, gold contacts, SMD, G6J-2FS-Y 5VDC	Omron G6J-2FS-Y 5VDC
E1_R6	Relay, monostable, 5V coil, DPDT, gold contacts, SMD, G6J-2FS-Y 5VDC	Omron G6J-2FS-Y 5VDC
E1_R7	Relay, monostable, 5V coil, DPDT, gold contacts, SMD, G6J-2FS-Y 5VDC	Omron G6J-2FS-Y 5VDC
E1_R9	Relay, monostable, 5V coil, DPDT, gold contacts, SMD, G6J-2FS-Y 5VDC	Omron G6J-2FS-Y 5VDC
E2_R1	Relay, monostable, 5V coil, DPDT, gold contacts, SMD, G6J-2FS-Y 5VDC	Omron G6J-2FS-Y 5VDC
E2_R2	Relay, monostable, 5V coil, DPDT, gold contacts, SMD, G6J-2FS-Y 5VDC	Omron G6J-2FS-Y 5VDC
E2_R3	Relay, monostable, 5V coil, DPDT, gold contacts, SMD, G6J-2FS-Y 5VDC	Omron G6J-2FS-Y 5VDC
E2_R4	Relay, monostable, 5V coil, DPDT, gold contacts, SMD, G6J-2FS-Y 5VDC	Omron G6J-2FS-Y 5VDC
E2_R5	Relay, monostable, 5V coil, DPDT, gold contacts, SMD, G6J-2FS-Y 5VDC	Omron G6J-2FS-Y 5VDC
E2_R6	Relay, monostable, 5V coil, DPDT, gold contacts, SMD, G6J-2FS-Y 5VDC	Omron G6J-2FS-Y 5VDC
E2_R7	Relay, monostable, 5V coil, DPDT, gold contacts, SMD, G6J-2FS-Y 5VDC	Omron G6J-2FS-Y 5VDC
E2_R9	Relay, monostable, 5V coil, DPDT, gold contacts, SMD, G6J-2FS-Y 5VDC	Omron G6J-2FS-Y 5VDC
E3_R1	Relay, monostable, 5V coil, DPDT, gold contacts, SMD, G6J-2FS-Y 5VDC	Omron G6J-2FS-Y 5VDC
E3_R2	Relay, monostable, 5V coil, DPDT, gold contacts, SMD, G6J-2FS-Y 5VDC	Omron G6J-2FS-Y 5VDC
E3_R3	Relay, monostable, 5V coil, DPDT, gold contacts, SMD, G6J-2FS-Y 5VDC	Omron G6J-2FS-Y 5VDC
E3_R4	Relay, monostable, 5V coil, DPDT, gold contacts, SMD, G6J-2FS-Y 5VDC	Omron G6J-2FS-Y 5VDC
E3_R5	Relay, monostable, 5V coil, DPDT, gold contacts, SMD, G6J-2FS-Y 5VDC	Omron G6J-2FS-Y 5VDC
E3_R6	Relay, monostable, 5V coil, DPDT, gold contacts, SMD, G6J-2FS-Y 5VDC	Omron G6J-2FS-Y 5VDC
E4_R1	Relay, monostable, 5V coil, DPDT, gold contacts, SMD, G6J-2FS-Y 5VDC	Omron G6J-2FS-Y 5VDC
E4_R2	Relay, monostable, 5V coil, DPDT, gold contacts, SMD, G6J-2FS-Y 5VDC	Omron G6J-2FS-Y 5VDC
E4_R3	Relay, monostable, 5V coil, DPDT, gold contacts, SMD, G6J-2FS-Y 5VDC	Omron G6J-2FS-Y 5VDC
E4_R4	Relay, monostable, 5V coil, DPDT, gold contacts, SMD, G6J-2FS-Y 5VDC	Omron G6J-2FS-Y 5VDC
E4_R5	Relay, monostable, 5V coil, DPDT, gold contacts, SMD, G6J-2FS-Y 5VDC	Omron G6J-2FS-Y 5VDC
E4_R6	Relay, monostable, 5V coil, DPDT, gold contacts, SMD, G6J-2FS-Y 5VDC	Omron G6J-2FS-Y 5VDC
E80	Relay, monostable, 5V coil, DPDT, gold contacts, SMD, G6J-2FS-Y 5VDC	Omron G6J-2FS-Y 5VDC
F700	Inductor, ferrite bead, TH, 5.0x3.6mm, 60R @ 100MHz, 25%, 7A	Murata BL01RN1-A62T6
F701	Inductor, ferrite bead, TH, 5.0x3.6mm, 60R @ 100MHz, 25%, 7A	Murata BL01RN1-A62T6
F702	Inductor, ferrite bead, TH, 5.0x3.6mm, 60R @ 100MHz, 25%, 7A	Murata BL01RN1-A62T6
FI700	Fiducial (not a physical component) included as reference for pick'n'place	
FI701	Fiducial (not a physical component) included as reference for pick'n'place	
FI702	Fiducial (not a physical component) included as reference for pick'n'place	
FI703	Fiducial (not a physical component) included as reference for pick'n'place	
FI704	Fiducial (not a physical component) included as reference for pick'n'place	
FI705	Fiducial (not a physical component) included as reference for pick'n'place	
FI706	Fiducial (not a physical component) included as reference for pick'n'place	
FI707	Fiducial (not a physical component) included as reference for pick'n'place	
GND700	Connector, pinrow, straight, 2.54mm pitch, 0.64mm sq pin, PCB, TH,male, 5.84mm head, 3.05mm tail, gold, 1x2-way	Sullins PBC02SAAN
GND701	Connector, pinrow, straight, 2.54mm pitch, 0.64mm sq pin, PCB, TH,male, 5.84mm head, 3.05mm tail, gold, 1x2-way	Sullins PBC02SAAN
GND702	Connector, pinrow, straight, 2.54mm pitch, 0.64mm sq pin, PCB, TH,male, 5.84mm head, 3.05mm tail, gold, 1x2-way	Sullins PBC02SAAN
GND703	Connector, pinrow, straight, 2.54mm pitch, 0.64mm sq pin, PCB, TH,male, 5.84mm head, 3.05mm tail, gold, 1x2-way	Sullins PBC02SAAN
GND704	Connector, pinrow, straight, 2.54mm pitch, 0.64mm sq pin, PCB, TH,male, 5.84mm head, 3.05mm tail, gold, 1x2-way	Sullins PBC02SAAN
GND705	Connector, pinrow, straight, 2.54mm pitch, 0.64mm sq pin, PCB, TH,male, 5.84mm head, 3.05mm tail, gold, 1x2-way	Sullins PBC02SAAN
IC400	IC, logic, LVC series, buffer, 3-state, single, 1.65V-5.5V, 5V tolerant, 4nS, SC-70-5 case, SN74LVC1G125DCKT	Texas Instruments SN74LVC1G125DCKT
J10	Connector, RCA, female, PCB, TH, angled, 2x2, upper white, lower red, separate grounds, shield	TDI Tremiver YKC21-4012V
J11	Connector, XLR, 3-way, female, PCB, TH, angled, NC3FBH2	Neutric NC3FBH2
J12	Connector, XLR, 3-way, female, PCB, TH, angled, NC3FBH2	Neutric NC3FBH2
J13	Connector, RCA, female, PCB, TH, angled, 2x2, upper white, lower red, separate grounds, shield	TDI Tremiver YKC21-4012V
J150	Connector, RCA, female, PCB, TH, angled, 2x1, upper white, lower red, separate grounds, shield	TDI Tremiver PS-1635
J300_O1	Connector, TOSlink transmitter, PCB, TH, angled, DC-15Mb/s, 3V, TORX147	Toshiba TORX147
J300_O2	Connector, TOSlink transmitter, PCB, TH, angled, DC-15Mb/s, 3V, TORX147	Toshiba TORX147
J300_O3	Connector, TOSlink transmitter, PCB, TH, angled, DC-15Mb/s, 3V, TORX147	Toshiba TORX147
J300_O4	Connector, TOSlink transmitter, PCB, TH, angled, DC-15Mb/s, 3V, TORX147	Toshiba TORX147
J310	Connector, XLR, 3-way, female, PCB, TH, angled, NC3FBH2	Neutric NC3FBH2
J400	Connector, ribbonable-PCB, SMD, FPC, vertical, top contact, 30 way	Samtec ZF5-30-03-T-WT
J401	Connector, pinrow, straight, 2.54mm pitch, 0.64mm sq pin, PCB, TH,male, 5.84mm head, 3.05mm tail, tin, 2x6-way	Sullins PTC06DAAN
J602	Connector, pinrow, straight, 2.54mm pitch, 0.64mm sq pin, PCB, TH,male, 5.84mm head, 3.05mm tail, gold, 1x2-way	Sullins PBC02SAAN
Q1_R7	Transistor, NPN, SMD SOT-23 case, 30V, 0.6A	Fairchild MMBT2222
Q1_R9	Transistor, NPN, SMD SOT-23 case, 30V, 0.6A	Fairchild MMBT2222
Q2_R1	Transistor, NPN, SMD SOT-23 case, 30V, 0.6A	Fairchild MMBT2222
Q2_R2	Transistor, NPN, SMD SOT-23 case, 30V, 0.6A	Fairchild MMBT2222
Q2_R3	Transistor, NPN, SMD SOT-23 case, 30V, 0.6A	Fairchild MMBT2222
Q2_R4	Transistor, NPN, SMD SOT-23 case, 30V, 0.6A	Fairchild MMBT2222
Q2_R5	Transistor, NPN, SMD SOT-23 case, 30V, 0.6A	Fairchild MMBT2222
Q2_R6	Transistor, NPN, SMD SOT-23 case, 30V, 0.6A	Fairchild MMBT2222
Q3_R1	Transistor, NPN, SMD SOT-23 case, 30V, 0.6A	Fairchild MMBT2222
Q3_R2	Transistor, NPN, SMD SOT-23 case, 30V, 0.6A	Fairchild MMBT2222
Q3_R3	Transistor, NPN, SMD SOT-23 case, 30V, 0.6A	Fairchild MMBT2222
Q3_R4	Transistor, NPN, SMD SOT-23 case, 30V, 0.6A	Fairchild MMBT2222
Q3_R5	Transistor, NPN, SMD SOT-23 case, 30V, 0.6A	Fairchild MMBT2222
Q3_R6	Transistor, NPN, SMD SOT-23 case, 30V, 0.6A	Fairchild MMBT2222
Q80	Transistor, NPN, SMD SOT-23 case, 30V, 0.6A	Fairchild MMBT2222

PARTS LIST (Cont'd.)

4 INPUT PCB 320349 (IO13) (Cont'd.)

Ref. No.	Description	AVL
Q150	Transistor, NPN, SMD SOT-23 case, 30V, 0.6A	Fairchild MMBT2222
Q800	Transistor, MOSFET, N-channel, SMD SOT-23 case, 50V, 0.22A, 3.5Rdson, 1.7nC gate charge, BSS138	Fairchild BSS138
R1_R1	Resistor, thickfilm, SMD0603, 0.1W, 50V, 100ppm, 4.70K, 1%	Phycomp 2322 704 64702L
R1_R2	Resistor, thickfilm, SMD0603, 0.1W, 50V, 100ppm, 4.70K, 1%	Phycomp 2322 704 64702L
R1_R3	Resistor, thickfilm, SMD0603, 0.1W, 50V, 100ppm, 4.70K, 1%	Phycomp 2322 704 64702L
R1_R4	Resistor, thickfilm, SMD0603, 0.1W, 50V, 100ppm, 4.70K, 1%	Phycomp 2322 704 64702L
R1_R5	Resistor, thickfilm, SMD0603, 0.1W, 50V, 100ppm, 4.70K, 1%	Phycomp 2322 704 64702L
R1_R6	Resistor, thickfilm, SMD0603, 0.1W, 50V, 100ppm, 4.70K, 1%	Phycomp 2322 704 64702L
R1_R7	Resistor, thickfilm, SMD0603, 0.1W, 50V, 100ppm, 4.70K, 1%	Phycomp 2322 704 64702L
R1_R9	Resistor, thickfilm, SMD0603, 0.1W, 50V, 100ppm, 4.70K, 1%	Phycomp 2322 704 64702L
R2_R1	Resistor, thinfilm, SMD0603, 0.063W, 50V, 100ppm, 3.3K, 1%	Venkel TFCR0603-16W-K-3301FT
R2_R2	Resistor, thinfilm, SMD0603, 0.063W, 50V, 100ppm, 3.3K, 1%	Venkel TFCR0603-16W-K-3301FT
R2_R3	Resistor, thinfilm, SMD0603, 0.063W, 50V, 100ppm, 3.3K, 1%	Venkel TFCR0603-16W-K-3301FT
R2_R4	Resistor, thinfilm, SMD0603, 0.063W, 50V, 100ppm, 3.3K, 1%	Venkel TFCR0603-16W-K-3301FT
R2_R5	Resistor, thinfilm, SMD0603, 0.063W, 50V, 100ppm, 3.3K, 1%	Venkel TFCR0603-16W-K-3301FT
R2_R6	Resistor, thinfilm, SMD0603, 0.063W, 50V, 100ppm, 3.3K, 1%	Venkel TFCR0603-16W-K-3301FT
R2_R7	Resistor, thinfilm, SMD0603, 0.063W, 50V, 100ppm, 3.3K, 1%	Venkel TFCR0603-16W-K-3301FT
R2_R9	Resistor, thinfilm, SMD0603, 0.063W, 50V, 100ppm, 3.3K, 1%	Venkel TFCR0603-16W-K-3301FT
R3_R1	Resistor, thickfilm, SMD0603, 0.1W, 50V, 100ppm, 4.70K, 1%	Phycomp 2322 704 64702L
R3_R2	Resistor, thickfilm, SMD0603, 0.1W, 50V, 100ppm, 4.70K, 1%	Phycomp 2322 704 64702L
R3_R3	Resistor, thickfilm, SMD0603, 0.1W, 50V, 100ppm, 4.70K, 1%	Phycomp 2322 704 64702L
R3_R4	Resistor, thickfilm, SMD0603, 0.1W, 50V, 100ppm, 4.70K, 1%	Phycomp 2322 704 64702L
R3_R5	Resistor, thickfilm, SMD0603, 0.1W, 50V, 100ppm, 4.70K, 1%	Phycomp 2322 704 64702L
R3_R6	Resistor, thickfilm, SMD0603, 0.1W, 50V, 100ppm, 4.70K, 1%	Phycomp 2322 704 64702L
R4_R1	Resistor, thinfilm, SMD0603, 0.063W, 50V, 100ppm, 3.3K, 1%	Venkel TFCR0603-16W-K-3301FT
R4_R2	Resistor, thinfilm, SMD0603, 0.063W, 50V, 100ppm, 3.3K, 1%	Venkel TFCR0603-16W-K-3301FT
R4_R3	Resistor, thinfilm, SMD0603, 0.063W, 50V, 100ppm, 3.3K, 1%	Venkel TFCR0603-16W-K-3301FT
R4_R4	Resistor, thinfilm, SMD0603, 0.063W, 50V, 100ppm, 3.3K, 1%	Venkel TFCR0603-16W-K-3301FT
R4_R5	Resistor, thinfilm, SMD0603, 0.063W, 50V, 100ppm, 3.3K, 1%	Venkel TFCR0603-16W-K-3301FT
R4_R6	Resistor, thinfilm, SMD0603, 0.063W, 50V, 100ppm, 3.3K, 1%	Venkel TFCR0603-16W-K-3301FT
R10	Resistor, thinfilm, SMD0603, 0.063W, 50V, 100ppm, 100K, 1%	Koa Speer RN73C1JTDD1003F100
R11	Resistor, thinfilm, SMD0603, 0.063W, 50V, 100ppm, 10R, 1%	Venkel TFCR0603-16W-K-10R0FT
R12	Resistor, thickfilm, SMD0603, 1A, 0R	Venkel CR0603-10W-000
R13	Resistor, thinfilm, SMD0603, 0.063W, 50V, 100ppm, 100K, 1%	Koa Speer RN73C1JTDD1003F100
R14	Resistor, thinfilm, SMD0603, 0.063W, 50V, 100ppm, 10R, 1%	Venkel TFCR0603-16W-K-10R0FT
R15	Resistor, thinfilm, SMD0603, 0.063W, 50V, 100ppm, 100K, 1%	Koa Speer RN73C1JTDD1003F100
R16	Resistor, thinfilm, SMD0603, 0.063W, 50V, 100ppm, 10R, 1%	Venkel TFCR0603-16W-K-10R0FT
R17	Resistor, thickfilm, SMD0603, 1A, 0R	Venkel CR0603-10W-000
R18	Resistor, thinfilm, SMD0603, 0.063W, 50V, 100ppm, 100K, 1%	Koa Speer RN73C1JTDD1003F100
R19	Resistor, thinfilm, SMD0603, 0.063W, 50V, 100ppm, 10R, 1%	Venkel TFCR0603-16W-K-10R0FT
R20	Resistor, thinfilm, SMD0603, 0.063W, 50V, 100ppm, 100K, 1%	Koa Speer RN73C1JTDD1003F100
R21	Resistor, thinfilm, SMD0603, 0.063W, 50V, 100ppm, 10R, 1%	Venkel TFCR0603-16W-K-10R0FT
R22	Resistor, thickfilm, SMD0603, 1A, 0R	Venkel CR0603-10W-000
R23	Resistor, thinfilm, SMD0603, 0.063W, 50V, 100ppm, 100K, 1%	Koa Speer RN73C1JTDD1003F100
R24	Resistor, thinfilm, SMD0603, 0.063W, 50V, 100ppm, 10R, 1%	Venkel TFCR0603-16W-K-10R0FT
R25	Resistor, thinfilm, SMD0603, 0.063W, 50V, 100ppm, 100K, 1%	Koa Speer RN73C1JTDD1003F100
R26	Resistor, thinfilm, SMD0603, 0.063W, 50V, 100ppm, 10R, 1%	Venkel TFCR0603-16W-K-10R0FT
R27	Resistor, thickfilm, SMD0603, 1A, 0R	Venkel CR0603-10W-000
R28	Resistor, thinfilm, SMD0603, 0.063W, 50V, 100ppm, 100K, 1%	Koa Speer RN73C1JTDD1003F100
R29	Resistor, thinfilm, SMD0603, 0.063W, 50V, 100ppm, 10R, 1%	Venkel TFCR0603-16W-K-10R0FT
R80	Resistor, thickfilm, SMD0603, 0.1W, 50V, 100ppm, 4.70K, 1%	Phycomp 2322 704 64702L
R81	Resistor, thinfilm, SMD0603, 0.063W, 50V, 100ppm, 3.3K, 1%	Venkel TFCR0603-16W-K-3301FT
R84	Resistor, thickfilm, SMD0603, 0.1W, 50V, 100ppm, 1.00K, 1%	Phycomp 2322 704 61002L
R85	Resistor, thickfilm, SMD0603, 0.1W, 50V, 100ppm, 470R, 1%	Koa Speer RK73H1JTDD4700F
R86	Resistor, thickfilm, SMD0603, 0.1W, 50V, 100ppm, 1.00K, 1%	Phycomp 2322 704 61002L
R87	Resistor, thickfilm, SMD0603, 0.1W, 50V, 100ppm, 470R, 1%	Koa Speer RK73H1JTDD4700F
R88	Resistor, thickfilm, SMD0603, 0.1W, 50V, 100ppm, 1.00K, 1%	Phycomp 2322 704 61002L
R89	Resistor, thickfilm, SMD0603, 0.1W, 50V, 100ppm, 4.70K, 1%	Phycomp 2322 704 64702L
R92	Resistor, thickfilm, SMD1206, 0.25W, 200V, 400ppm, 1.50R, 1%	Koa Speer RK73H2BTDD1R50F
R93	Resistor, thickfilm, SMD1206, 0.25W, 200V, 400ppm, 1.50R, 1%	Koa Speer RK73H2BTDD1R50F
R94	Resistor, thickfilm, SMD1206, 0.25W, 200V, 400ppm, 1.50R, 1%	Koa Speer RK73H2BTDD1R50F
R95	Resistor, thickfilm, SMD1206, 0.25W, 200V, 400ppm, 1.50R, 1%	Koa Speer RK73H2BTDD1R50F
R96	Resistor, thickfilm, SMD1206, 0.25W, 200V, 400ppm, 1.50R, 1%	Koa Speer RK73H2BTDD1R50F
R97	Resistor, thickfilm, SMD1206, 0.25W, 200V, 400ppm, 1.50R, 1%	Koa Speer RK73H2BTDD1R50F
R98	Resistor, thickfilm, SMD1206, 0.25W, 200V, 400ppm, 1.50R, 1%	Koa Speer RK73H2BTDD1R50F
R99	Resistor, thickfilm, SMD0603, 0.1W, 50V, 100ppm, 10.0R, 1%	Phycomp 2322 704 61009L
R150	Resistor, thinfilm, SMD0603, 0.063W, 50V, 100ppm, 100R, 1%	Koa Speer RN73C1JTDD1000F100
R151	Resistor, thinfilm, SMD0603, 0.063W, 50V, 100ppm, 100R, 1%	Koa Speer RN73C1JTDD1000F100
R152	Resistor, thinfilm, SMD0603, 0.063W, 50V, 100ppm, 100R, 1%	Koa Speer RN73C1JTDD1000F100
R153	Resistor, thinfilm, SMD0603, 0.063W, 50V, 100ppm, 75R, 1%	Venkel TFCR0603-16W-K-75R0FT
R154	Resistor, thinfilm, SMD0603, 0.063W, 50V, 100ppm, 1.00K, 1%	Koa Speer RN73C1JTDD1000F100
R155	Resistor, thinfilm, SMD0603, 0.063W, 50V, 100ppm, 10.0K, 1%	Koa Speer

PARTS LIST (Cont'd.)

4 INPUT PCB 320349 (IO13) (Cont'd.)

Ref. No.	Description	AVL
R639	Resistor, thickfilm, SMD0603, 0.1W, 50V, 100ppm, 100R, 1%	Phycomp 2322 704 61001L
R640	Resistor, thickfilm, SMD0603, 0.1W, 50V, 100ppm, 100R, 1%	Phycomp 2322 704 61001L
R641	Resistor, thickfilm, SMD0603, 0.1W, 50V, 100ppm, 100R, 1%	Phycomp 2322 704 61001L
R642	Resistor, thickfilm, SMD0603, 0.1W, 50V, 100ppm, 100R, 1%	Phycomp 2322 704 61001L
R643	Resistor, thickfilm, SMD0603, 0.1W, 50V, 100ppm, 100R, 1%	Phycomp 2322 704 61001L
R644	Resistor, thickfilm, SMD0603, 0.1W, 50V, 100ppm, 100R, 1%	Phycomp 2322 704 61001L
R645	Resistor, thickfilm, SMD0603, 0.1W, 50V, 100ppm, 100R, 1%	Phycomp 2322 704 61001L
R646	Resistor, thickfilm, SMD0603, 0.1W, 50V, 100ppm, 100R, 1%	Phycomp 2322 704 61001L
R647	Resistor, thickfilm, SMD0603, 0.1W, 50V, 100ppm, 100R, 1%	Phycomp 2322 704 61001L
R648	Resistor, thickfilm, SMD0603, 0.1W, 50V, 100ppm, 100R, 1%	Phycomp 2322 704 61001L
R649	Resistor, thickfilm, SMD0603, 0.1W, 50V, 100ppm, 100R, 1%	Phycomp 2322 704 61001L
R650	Resistor, thickfilm, SMD0603, 0.1W, 50V, 400ppm, 1.00R, 1%	Koa Speer RK73H1JTDD1R00F
R651	Resistor, thickfilm, SMD0603, 0.1W, 50V, 400ppm, 1.00R, 1%	Koa Speer RK73H1JTDD1R00F
R700	Resistor, thickfilm, SMD0603, 1A, 0R	Venkel CR0603-10W-000
R701	Resistor, thickfilm, SMD0603, 1A, 0R	Venkel CR0603-10W-000
R702	Resistor, thickfilm, SMD0603, 1A, 0R	Venkel CR0603-10W-000
R703	Resistor, thickfilm, SMD0603, 1A, 0R	Venkel CR0603-10W-000
R704	Resistor, thickfilm, SMD0603, 1A, 0R	Venkel CR0603-10W-000
R710	Resistor, thickfilm, SMD0603, 0.1W, 50V, 100ppm, 15.0K, 1%	Koa Speer RK73H1JTDD1502F
R711	Resistor, thickfilm, SMD0603, 0.1W, 50V, 100ppm, 16.0K, 1%	Venkel CR0603-10W-1602F
R712	Resistor, thickfilm, SMD0603, 0.1W, 50V, 100ppm, 15.0K, 1%	Koa Speer RK73H1JTDD1502F
R713	Resistor, thickfilm, SMD0603, 0.1W, 50V, 100ppm, 15.0K, 1%	Koa Speer RK73H1JTDD1502F
R714	Resistor, thickfilm, SMD0603, 0.1W, 50V, 100ppm, 2.20K, 1%	Koa Speer RK73H1JTDD2201F
R715	Resistor, thickfilm, SMD0603, 0.1W, 50V, 100ppm, 470R, 1%	Koa Speer RK73H1JTDD4700F
R716	Resistor, thickfilm, SMD0603, 0.1W, 50V, 100ppm, 2.20K, 1%	Koa Speer RK73H1JTDD2201F
R717	Resistor, thickfilm, SMD0603, 0.1W, 50V, 100ppm, 10.0K, 1%	Phycomp 2322 704 61003L
R718	Resistor, thickfilm, SMD0603, 0.1W, 50V, 100ppm, 10.0K, 1%	Phycomp 2322 704 61003L
R801	Resistor, thinfilm, SMD0603, 0.063W, 50V, 100ppm, 1.20K, 1%	Koa Speer RN73C1JTDD1201F100
R802	Resistor, thinfilm, SMD0603, 0.063W, 50V, 100ppm, 100R, 1%	Koa Speer RN73C1JTDD1000F100
R804	Resistor, thinfilm, SMD0603, 0.063W, 50V, 100ppm, 10.0K, 1%	Koa Speer RN73C1JTDD1002F100
R808	Resistor, thickfilm, SMD0603, 0.1W, 50V, 100ppm, 10.0R, 1%	Phycomp 2322 704 61009L
R810	Resistor, thinfilm, SMD0603, 0.063W, 50V, 100ppm, 20K, 1%	Venkel TFCR0603-16W-K-2002FT
R812	Resistor, thinfilm, SMD0603, 0.063W, 50V, 100ppm, 100K, 1%	Koa Speer RN73C1JTDD1003F100
R813	Resistor, thinfilm, SMD0603, 0.063W, 50V, 100ppm, 1.30K, 1%	Koa Speer RN73C1JTDD1301F100
R815	Resistor, thickfilm, SMD0603, 0.1W, 50V, 100ppm, 47.0K, 1%	Koa Speer RK73H1JTDD4702F
R816	Resistor, thickfilm, SMD0603, 0.1W, 50V, 100ppm, 10.0K, 1%	Phycomp 2322 704 61003L
R817	Resistor, thickfilm, SMD0603, 0.1W, 50V, 100ppm, 100K, 1%	Koa Speer RK73H1JTDD1003F
R818	Resistor, thickfilm, SMD0603, 0.1W, 50V, 100ppm, 100K, 1%	Koa Speer RK73H1JTDD1003F
R819	Resistor, thickfilm, SMD0603, 0.1W, 50V, 100ppm, 100K, 1%	Koa Speer RK73H1JTDD1003F
R820	Resistor, thinfilm, SMD MMA 0204, 0.25W, 200V, 50ppm, 22.0R, 1%	Koa Speer RN412ESTTE22R0F50
R821	Resistor, thinfilm, SMD MMA 0204, 0.25W, 200V, 50ppm, 22.0R, 1%	Koa Speer RN412ESTTE22R0F50
R822	Resistor, thinfilm, SMD MMA 0204, 0.25W, 200V, 50ppm, 22.0R, 1%	Koa Speer RN412ESTTE22R0F50
R823	Resistor, thinfilm, SMD MMA 0204, 0.25W, 200V, 50ppm, 22.0R, 1%	Koa Speer RN412ESTTE22R0F50
R824	Resistor, thinfilm, SMD MMA 0204, 0.25W, 200V, 50ppm, 22.0R, 1%	Koa Speer RN412ESTTE22R0F50
R900	Resistor, thinfilm, SMD0603, 0.063W, 50V, 100ppm, 82.0R, 1%	Venkel TFCR0603-16W-K-82R0FT
R901	Resistor, thinfilm, SMD0603, 0.063W, 50V, 100ppm, 300R, 1%	Venkel TFCR0603-16W-K-3000FT
R902	Resistor, thinfilm, SMD0603, 0.063W, 50V, 100ppm, 3.00K, 1%	Venkel TFCR0603-16W-K-3001FT
R903	Resistor, thinfilm, SMD0603, 0.063W, 50V, 100ppm, 100R, 1%	Koa Speer RN73C1JTDD1000F100
R904	Resistor, thinfilm, SMD0603, 0.063W, 50V, 100ppm, 100R, 1%	Koa Speer RN73C1JTDD1000F100
R905	Resistor, thinfilm, SMD0603, 0.063W, 50V, 100ppm, 100R, 1%	Koa Speer RN73C1JTDD1000F100
R906	Resistor, thinfilm, SMD0603, 0.063W, 50V, 100ppm, 3.00K, 1%	Venkel TFCR0603-16W-K-3001FT
R907	Resistor, thinfilm, SMD0603, 0.063W, 50V, 100ppm, 100K, 1%	Koa Speer RN73C1JTDD1003F100
R908	Resistor, thinfilm, SMD0603, 0.063W, 50V, 100ppm, 10.0K, 1%	Koa Speer RN73C1JTDD1002F100
R909	Resistor, thinfilm, SMD0603, 0.063W, 50V, 100ppm, 33.0R, 1%	Koa Speer RN73C1JTDD33R0F100
R910	Resistor, thinfilm, SMD0603, 0.063W, 50V, 100ppm, 240R, 1%	Venkel TFCR0603-16W-K-2400FT
R911	Resistor, thinfilm, SMD0603, 0.063W, 50V, 100ppm, 82.0R, 1%	Venkel TFCR0603-16W-K-82R0FT
R912	Resistor, thinfilm, SMD0603, 0.063W, 50V, 100ppm, 300R, 1%	Venkel TFCR0603-16W-K-3000FT
R913	Resistor, thickfilm, SMD0603, 0.1W, 50V, 100ppm, 10.0R, 1%	Phycomp 2322 704 61009L
R914	Resistor, thinfilm, SMD0603, 0.063W, 50V, 100ppm, 82.0R, 1%	Venkel TFCR0603-16W-K-82R0FT
R915	Resistor, thinfilm, SMD0603, 0.063W, 50V, 100ppm, 300R, 1%	Venkel TFCR0603-16W-K-3000FT
R916	Resistor, thinfilm, SMD0603, 0.063W, 50V, 100ppm, 100K, 1%	Koa Speer RN73C1JTDD1003F100
R917	Resistor, thinfilm, SMD0603, 0.063W, 50V, 100ppm, 3.00K, 1%	Venkel TFCR0603-16W-K-3001FT
R918	Resistor, thinfilm, SMD0603, 0.063W, 50V, 100ppm, 100R, 1%	Koa Speer RN73C1JTDD1000F100
R919	Resistor, thinfilm, SMD0603, 0.063W, 50V, 100ppm, 3.00K, 1%	Venkel TFCR0603-16W-K-3001FT
R920	Resistor, thinfilm, SMD0603, 0.063W, 50V, 100ppm, 100R, 1%	Koa Speer RN73C1JTDD1000F100
R921	Resistor, thinfilm, SMD0603, 0.063W, 50V, 100ppm, 100R, 1%	Koa Speer RN73C1JTDD1000F100
R922	Resistor, thinfilm, SMD0603, 0.063W, 50V, 100ppm, 82.0R, 1%	Venkel TFCR0603-16W-K-82R0FT
R923	Resistor, thinfilm, SMD0603, 0.063W, 50V, 100ppm, 300R, 1%	Venkel TFCR0603-16W-K-3000FT
R924	Resistor, thinfilm, SMD0603, 0.063W, 50V, 100ppm, 10.0K, 1%	Koa Speer RN73C1JTDD1002F100
R925	Resistor, thinfilm, SMD0603, 0.063W, 50V, 100ppm, 33.0R, 1%	Koa Speer RN73C1JTDD33R0F100
R926	Resistor, thinfilm, SMD0603, 0.063W, 50V, 100ppm, 240R, 1%	Venkel TFCR0603-16W-K-2400FT
R927	Resistor, thinfilm, SMD0603, 0.063W, 50V, 100ppm, 10.0K, 1%	Koa Speer RN73C1JTDD1002F100

PARTS LIST (Cont'd.)

4 INPUT PCB 320349 (IO13) (Cont'd.)

Ref. No.	Description	AVL
R928	Resistor, thinfilm, SMD0603, 0.063W, 50V, 100ppm, 24K, 1%	Venkel TFCR0603-16W-K-2402FT
R929	Resistor, thinfilm, SMD0603, 0.063W, 50V, 100ppm, 2.00K, 1%	Koa Speer RN73C1JTDD2001F100
R930	Resistor, thinfilm, SMD0603, 0.063W, 50V, 100ppm, 1.00K, 1%	Koa Speer RN73C1JTDD1001F100
R931	Resistor, trimpot, cermet, SMD 6.7x7x5.2mm, single turn, 0.5W, 100ppm, 200R, 10%	Bourns 3361P-1-201G
R932	Resistor, thickfilm, SMD0603, 0.1W, 50V, 100ppm, 10.0R, 1%	Phycomp 2322 704 61009L
R933	Resistor, thinfilm, SMD0603, 0.063W, 50V, 100ppm, 150R, 1%	Venkel TFCR0603-16W-K-1500FT
R934	Resistor, trimpot, cermet, SMD 6.7x7x5.2mm, single turn, 0.5W, 100ppm, 200R, 10%	Bourns 3361P-1-201G
R950	Resistor, thinfilm, SMD0603, 0.063W, 50V, 100ppm, 82.0R, 1%	Venkel TFCR0603-16W-K-82R0FT
R951	Resistor, thinfilm, SMD0603, 0.063W, 50V, 100ppm, 300R, 1%	Venkel TFCR0603-16W-K-3000FT
R952	Resistor, thinfilm, SMD0603, 0.063W, 50V, 100ppm, 3.00K, 1%	Venkel TFCR0603-16W-K-3001FT
R953	Resistor, thinfilm, SMD0603, 0.063W, 50V, 100ppm, 100R, 1%	Koa Speer RN73C1JTDD1000F100
R954	Resistor, thinfilm, SMD0603, 0.063W, 50V, 100ppm, 100R, 1%	Koa Speer RN73C1JTDD1000F100
R955	Resistor, thinfilm, SMD0603, 0.063W, 50V, 100ppm, 100R, 1%	Koa Speer RN73C1JTDD1000F100
R956	Resistor, thinfilm, SMD0603, 0.063W, 50V, 100ppm, 3.00K, 1%	Venkel TFCR0603-16W-K-3001FT
R957	Resistor, thinfilm, SMD0603, 0.063W, 50V, 100ppm, 100K, 1%	Koa Speer RN73C1JTDD1002F100
R958	Resistor, thinfilm, SMD0603, 0.063W, 50V, 100ppm, 10.0K, 1%	Koa Speer RN73C1JTDD1002F100
R959	Resistor, thinfilm, SMD0603, 0.063W, 50V, 100ppm, 33.0R, 1%	Koa Speer RN73C1JTDD33R0F100
R960	Resistor, thinfilm, SMD0603, 0.063W, 50V, 100ppm, 240R, 1%	Venkel TFCR0603-16W-K-2400FT
R961	Resistor, thinfilm, SMD0603, 0.063W, 50V, 100ppm, 82.0R, 1%	Venkel TFCR0603-16W-K-82R0FT
R962	Resistor, thinfilm, SMD0603, 0.063W, 50V, 100ppm, 300R, 1%	Venkel TFCR0603-16W-K-3000FT
R963	Resistor, thickfilm, SMD0603, 0.1W, 50V, 100ppm, 10.0R, 1%	Phycomp 2322 704 61009L
R964	Resistor, thinfilm, SMD0603, 0.063W, 50V, 100ppm, 82.0R, 1%	Venkel TFCR0603-16W-K-82R0FT
R965	Resistor, thinfilm, SMD0603, 0.063W, 50V, 100ppm, 300R, 1%	Venkel TFCR0603-16W-K-3000FT
R966	Resistor, thinfilm, SMD0603, 0.063W, 50V, 100ppm, 100K, 1%	Koa Speer RN73C1JTDD1003F100
R967	Resistor, thinfilm, SMD0603, 0.063W, 50V, 100ppm, 3.00K, 1%	Venkel TFCR0603-16W-K-3001FT
R968	Resistor, thinfilm, SMD0603, 0.063W, 50V, 100ppm, 100R, 1%	Koa Speer RN73C1JTDD1000F100
R969	Resistor, thinfilm, SMD0603, 0.063W, 50V, 100ppm, 3.00K, 1%	Venkel TFCR0603-16W-K-3001FT
R970	Resistor, thinfilm, SMD0603, 0.063W, 50V, 100ppm, 100R, 1%	Koa Speer RN73C1JTDD1000F100
R971	Resistor, thinfilm, SMD0603, 0.063W, 50V, 100ppm, 100R, 1%	Koa Speer RN73C1JTDD1000F100
R972	Resistor, thinfilm, SMD0603, 0.063W, 50V, 100ppm, 82.0R, 1%	Venkel TFCR0603-16W-K-82R0FT
R973	Resistor, thinfilm, SMD0603, 0.063W, 50V, 100ppm, 300R, 1%	Venkel TFCR0603-16W-K-3000FT
R974	Resistor, thinfilm, SMD0603, 0.063W, 50V, 100ppm, 10.0K, 1%	Koa Speer RN73C1JTDD1002F100
R975	Resistor, thinfilm, SMD0603, 0.063W, 50V, 100ppm, 33.0R, 1%	Koa Speer RN73C1JTDD33R0F100
R976	Resistor, thinfilm, SMD0603, 0.063W, 50V, 100ppm, 240R, 1%	Venkel TFCR0603-16W-K-2400FT
R977	Resistor, thinfilm, SMD0603, 0.063W, 50V, 100ppm, 10.0K, 1%	Koa Speer RN73C1JTDD1002F100
R978	Resistor, thinfilm, SMD0603, 0.063W, 50V, 100ppm, 24K, 1%	Venkel TFCR0603-16W-K-2402FT
R979	Resistor, thinfilm, SMD0603, 0.063W, 50V, 100ppm, 2.00K, 1%	Koa Speer RN73C1JTDD2001F100
R980	Resistor, thinfilm, SMD0603, 0.063W, 50V, 100ppm, 1.00K, 1%	Koa Speer RN73C1JTDD1001F100
R981	Resistor, trimpot, cermet, SMD 6.7x7x5.2mm, single turn, 0.5W, 100ppm, 200R, 10%	Bourns 3361P-1-201G
R982	Resistor, thickfilm, SMD0603, 0.1W, 50V, 100ppm, 10.0R, 1%	Phycomp 2322 704 61009L
R983	Resistor, thinfilm, SMD0603, 0.063W, 50V, 100ppm, 150R, 1%	Venkel TFCR0603-16W-K-1500FT
R984	Resistor, trimpot, cermet, SMD 6.7x7x5.2mm, single turn, 0.5W, 100ppm, 200R, 10%	Bourns 3361P-1-201G
T310	Transformer, SPDIF, SMD 12.7x8.9x6.3mm, 1:1, 2KV isolation	C&D Technologies DA102MC
T311	Transformer, SPDIF, SMD 12.7x8.9x6.3mm, 1:1, 2KV isolation	C&D Technologies DA102MC
T312	Transformer, SPDIF, SMD 12.7x8.9x6.3mm, 1:1, 2KV isolation	C&D Technologies DA102MC
T313	Transformer, SPDIF, SMD 12.7x8.9x6.3mm, 1:1, 2KV isolation	C&D Technologies DA102MC
T314	Transformer, SPDIF, SMD 12.7x8.9x6.3mm, 1:1, 2KV isolation	C&D Technologies DA102MC
T315	Transformer, SPDIF, SMD 12.7x8.9x6.3mm, 1:1, 2KV isolation	C&D Technologies DA102MC
U80	IC, A/D converter, audio, 192KHz, 24 bit, 123dB dynamic range, SOP-28 case, AK5394A	AKM AK5394AVS
U81	IC, Positive voltage regulator, 9V, 0.5A, D-PACK3, MC78M09CDT	Fairchild MC78M09CDT
U82	IC, voltage regulator, 5V, 5%, 0.5A, 35V in, D-PAK case, MC78M05CDT	Motorola MC78M05CDT
U83	IC, voltage regulator, LDO, low noise, 3.3V, 4%, 0.15A, 16V in, SOT-23-5 case, LP2985IM5-3.3	National LP2985IM5-3.3/NOPB
U150	IC, OP-AMP, dual, audio, 5V-36V, 2.7nV noise, SOIC-8 case, LM4562MA	National LM4562MA/NOPB
U151	IC, OP-AMP, dual, audio, 5V-36V, 2.7nV noise, SOIC-8 case, LM4562MA	National LM4562MA/NOPB
U152	IC, OP-AMP, dual, audio, 5V-36V, 2.7nV noise, SOIC-8 case, LM4562MA	National LM4562MA/NOPB
U153	IC, OP-AMP, dual, audio, 5V-36V, 2.7nV noise, SOIC-8 case, LM4562MA	National LM4562MA/NOPB
U154	IC, audio, digital controlled analog volume control, 120dB dynamic range, +/-15V supplies, SOIC-16 case, PGA2310UA	Texas Instruments PGA2310UA
U300_O1	IC, logic, LVC series, buffer, 3-state, single, 1.65V-5.5V, 5V tolerant, 4nS, SC-70-5 case, SN74LVC1G125DCKT	Texas Instruments SN74LVC1G125DCKT
U300_O2	IC, logic, LVC series, buffer, 3-state, single, 1.65V-5.5V, 5V tolerant, 4nS, SC-70-5 case, SN74LVC1G125DCKT	Texas Instruments SN74LVC1G125DCKT
U300_O3	IC, logic, LVC series, buffer, 3-state, single, 1.65V-5.5V, 5V tolerant, 4nS, SC-70-5 case, SN74LVC1G125DCKT	Texas Instruments SN74LVC1G125DCKT
U300_O4	IC, logic, LVC series, buffer, 3-state, single, 1.65V-5.5V, 5V tolerant, 4nS, SC-70-5 case, SN74LVC1G125DCKT	Texas Instruments SN74LVC1G125DCKT
U310	IC, audio, digital audio transceiver, 8 input MUX, 192KHz, 24 bit, LQFP-64 case, AK4115VQ	AKM AK4115VQ
U400	IC, Altera MAXII series EPLD, 570LE, 76I/O, 100pin TQFP case, EPM570T100C3	Altera EPM570T100C3
U401	IC, logic, LVC series, buffer, 3-state, single, 1.65V-5.5V, 5V tolerant, 4nS, SC-70-5 case, SN74LVC1G125DCKT	Texas Instruments SN74LVC1G125DCKT
U402	IC, logic, LVC series, buffer, 3-state, single, 1.65V-5.5V, 5V tolerant, 4nS, SC-70-5 case, SN74LVC1G125DCKT	Texas Instruments SN74LVC1G125DCKT
U403	IC, logic, LCX series, buffer, octal, 3.3V, 5V tolerant SO-20 wide case, 74LV244D	Philips 74LV244D
U404	IC, clock oscillator, SMD 5x7mm case, 24.576MHz, 25ppm, 3.3V	CMAC CPFS-73 24.576MHz (B BU SMD S)
U405	IC, logic, LVC series, buffer, 3-state, single, 1.65V-5.5V, 5V tolerant, 4nS, SC-70-5 case, SN74LVC1G125DCKT	Texas Instruments SN74LVC1G125DCKT
U500	IC, audio, sample rate converter, 4 audio channels, 192KHz, 24 bit, 144dB dynamic range, PQFP-64 case, SRC4194PAG	Texas Instruments SRC4194PAG
U501	IC, audio, sample rate converter, 4 audio channels, 192KHz, 24 bit, 144dB dynamic range, PQFP-64 case, SRC4194PAG	Texas Instruments SRC4194PAG
U502	IC, logic, LVC series, AND, single, 1.65V-5.5V, 5V tolerant, 3.8nS, SOT23-5 case, SN74LVC1G08DBVT	Texas Instruments SN74LVC1G08DBVT
U600	IC, Altera MAXII series EPLD, 570LE, 76I/O, 100pin TQFP case, EPM570T100C3	Altera EPM570T100C3
U701	IC, voltage regulator, step-down, dual, 1.1MHz, adjustable, 1.5%, 1.4A, 25V in, TSSOP16 power case, LT1940EFE	Linear Technology LT1940EFE#PBF

PARTS LIST (Cont'd.)

4 INPUT PCB 320349 (IO13) (Cont'd.)

Ref. No.	Description	AVL
U802	IC; Positive voltage regulator, 9V, 0.5A, D-PACK3, MC78M09CDT	Fairchild MC78M09CDT
U803	IC, OP-AMP, single, audio, 6V-40V, 5nV noise, SOIC-8 case, NE5534AD	Texas Instruments NE5534AD
U900	IC, OP-AMP, dual, audio, 5V-36V, 2.7nV noise, SOIC-8 case, LM4562MA	National LM4562MA/NOPB
U901	IC, OP-AMP, dual, audio, 5V-36V, 2.7nV noise, SOIC-8 case, LM4562MA	National LM4562MA/NOPB
U950	IC, OP-AMP, dual, audio, 5V-36V, 2.7nV noise, SOIC-8 case, LM4562MA	National LM4562MA/NOPB
U951	IC, OP-AMP, dual, audio, 5V-36V, 2.7nV noise, SOIC-8 case, LM4562MA	National LM4562MA/NOPB
X11	Connector, box, no latches, TH, DIL 0.1, 30-way, male, straight	Molex 39-28-5301
X10	Connector, AMP Micro Match, Ribbon SMD, male, 2x07	Tyco 1-188275-4
X310	Connector, pinrow, straight, 2.54mm pitch, 0.64mm sq pin, PCB, TH,male, 5.84mm head, 3.05mm tail, tin, 2x10-way	Sullins PTC10DAAN
X400	Connector, pinrow, straight, 2.54mm pitch, 0.64mm sq pin, PCB, TH,male, 5.84mm head, 3.05mm tail, gold, 2x5-way	Sullins PRPC05DAAN-T1
X401	Connector, box, no latches, TH, DIL 0.1, 26-way, male, straight	Molex Molex 39-28-5261
X450	Connector, TH, DIL 100mil, 40-way, female, straight, gold	3M 8540-4500PL
X500	Connector, box, no latches, TH, DIL 0.1, 20-way, male, straight	AMP 2-827745-0
X601	Connector, box, no latches, TH, DIL 0.1, 40-way, male, straight	Tyco 5103308-8
X700	Connector, DUAC., straight, 4.2mm pitch, PCB, TH, male, tin, 2x05-way	AMP 1-1586495-0

5 INPUT B PCB 320354 (IO21)

Ref. No.	Description	AVL
C101	Capacitor, SMD0603, NP0, 100pF, 50V, 10%	AVX 06035A101KAT2A
C102	Capacitor, SMD0603, NP0, 100pF, 50V, 10%	AVX 06035A101KAT2A
C103	Capacitor, SMD0603, NP0, 100pF, 50V, 10%	AVX 06035A101KAT2A
C104	Capacitor, SMD0603, NP0, 100pF, 50V, 10%	AVX 06035A101KAT2A
C105	Capacitor, SMD0603, NP0, 100pF, 50V, 10%	AVX 06035A101KAT2A
C106	Capacitor, SMD0603, NP0, 100pF, 50V, 10%	AVX 06035A101KAT2A
C107	Capacitor, SMD0603, NP0, 100pF, 50V, 10%	AVX 06035A101KAT2A
C108	Capacitor, SMD0603, NP0, 100pF, 50V, 10%	AVX 06035A101KAT2A
C109	Capacitor, SMD0603, NP0, 100pF, 50V, 10%	AVX 06035A101KAT2A
C110	Capacitor, SMD0603, NP0, 100pF, 50V, 10%	AVX 06035A101KAT2A
C111	Capacitor, SMD0603, NP0, 100pF, 50V, 10%	AVX 06035A101KAT2A
C112	Capacitor, SMD0603, NP0, 100pF, 50V, 10%	AVX 06035A101KAT2A
C113	Capacitor, SMD0603, NP0, 100pF, 50V, 10%	AVX 06035A101KAT2A
C114	Capacitor, SMD0603, NP0, 100pF, 50V, 10%	AVX 06035A101KAT2A
C115	Capacitor, SMD0603, NP0, 100pF, 50V, 10%	AVX 06035A101KAT2A
C116	Capacitor, SMD0603, NP0, 100pF, 50V, 10%	AVX 06035A101KAT2A
C117	Capacitor, SMD0603, NP0, 100pF, 50V, 10%	AVX 06035A101KAT2A
C118	Capacitor, SMD0603, NP0, 100pF, 50V, 10%	AVX 06035A101KAT2A
C119	Capacitor, SMD0603, NP0, 100pF, 50V, 10%	AVX 06035A101KAT2A
C120	Capacitor, SMD0603, NP0, 100pF, 50V, 10%	AVX 06035A101KAT2A
C201	Capacitor, SMD 6.3x5.4mm, AL, 2000hrs, 85C, 47uF, 25V, 20%	Panasonic EEE1EA470WHP
C202	Capacitor, SMD0603, X7R, 100nF, 25V, 20%	AVX 06033C104MAT2A
C203	Capacitor, SMD 4.3x5.4mm, AL, 2000hrs, 85C, 10uF, 16V, 20%	Nichicon UWX1C100MCL1GB
C204	Capacitor, SMD0603, NP0, 47pF, 50V, 10%	AVX 06035A470KAT2A
C205	Capacitor, SMD0603, NP0, 100pF, 50V, 10%	AVX 06035A101KAT2A
C206	Capacitor, SMD1206, PET, 10nF, 50V, 5%	AVX CF012D0103J
C207	Capacitor, SMD1210, PET, 33nF, 50V, 5%	AVX CF022D0333J
C208	Capacitor, SMD 8.3x10.2mm, AL, 2000hrs, 85C, 470uF, 6.3V, 20%	Panasonic EEEV0JA471P
C209	Capacitor, SMD0603, X7R, 100nF, 25V, 20%	AVX 06033C104MAT2A
C210	Capacitor, SMD 6.3x5.4mm, AL, 2000hrs, 85C, 47uF, 25V, 20%	Panasonic EEE1EA470WHP
C211	Capacitor, SMD 6.3x5.4mm, AL, 2000hrs, 85C, 47uF, 25V, 20%	Panasonic EEE1EA470WHP
C212	Capacitor, SMD0603, X7R, 100nF, 25V, 20%	AVX 06033C104MAT2A
C213	Capacitor, SMD 4.3x5.4mm, AL, 2000hrs, 85C, 10uF, 16V, 20%	Nichicon UWX1C100MCL1GB
C214	Capacitor, SMD0603, NP0, 47pF, 50V, 10%	AVX 06035A470KAT2A
C215	Capacitor, SMD0603, NP0, 100pF, 50V, 10%	AVX 06035A101KAT2A
C216	Capacitor, SMD1206, PET, 10nF, 50V, 5%	AVX CF012D0103J
C217	Capacitor, SMD1210, PET, 33nF, 50V, 5%	AVX CF022D0333J
C218	Capacitor, SMD 8.3x10.2mm, AL, 2000hrs, 85C, 470uF, 6.3V, 20%	Panasonic EEEV0JA471P
C219	Capacitor, SMD0603, X7R, 100nF, 25V, 20%	AVX 06033C104MAT2A
C220	Capacitor, SMD 6.3x5.4mm, AL, 2000hrs, 85C, 47uF, 25V, 20%	Panasonic EEE1EA470WHP
D101	Diode, dual, common cathode, SMD, 70V, 0.2A, 6nS, SOT-23-3 case, BAV70	Fairchild BAV70
D102	Diode, dual, common cathode, SMD, 70V, 0.2A, 6nS, SOT-23-3 case, BAV70	Fairchild BAV70
D103	Diode, dual, common cathode, SMD, 70V, 0.2A, 6nS, SOT-23-3 case, BAV70	Fairchild BAV70
D104	Diode, dual, common cathode, SMD, 70V, 0.2A, 6nS, SOT-23-3 case, BAV70	Fairchild BAV70
D105	Diode, dual, common cathode, SMD, 70V, 0.2A, 6nS, SOT-23-3 case, BAV70	Fairchild BAV70
D106	Diode, dual, common cathode, SMD, 70V, 0.2A, 6nS, SOT-23-3 case, BAV70	Fairchild BAV70
E101	Relay, monostable, 5V coil, DPDT, gold contacts, SMD, G6J-2FS-Y 5VDC	Omron G6J-2FS-Y 5VDC
E102	Relay, monostable, 5V coil, DPDT, gold contacts, SMD, G6J-2FS-Y 5VDC	Omron G6J-2FS-Y 5VDC
E103	Relay, monostable, 5V coil, DPDT, gold contacts, SMD, G6J-2FS-Y 5VDC	Omron G6J-2FS-Y 5VDC
E104	Relay, monostable, 5V coil, DPDT, gold contacts, SMD, G6J-2FS-Y 5VDC	Omron G6J-2FS-Y 5VDC
E105	Relay, monostable, 5V coil, DPDT, gold contacts, SMD, G6J-2FS-Y 5VDC	Omron G6J-2FS-Y 5VDC
E106	Relay, monostable, 5V coil, DPDT, gold contacts, SMD, G6J-2FS-Y 5VDC	Omron G6J-2FS-Y 5VDC
E107	Relay, monostable, 5V coil, DPDT, gold contacts, SMD, G6J-2FS-Y 5VDC	Omron G6J-2FS-Y 5VDC

PARTS LIST (Cont'd.)

5 INPUT B PCB 320354 (IO21) (Cont'd.)

Ref. No.	Description	AVL
E108	Relay, monostable, 5V coil, DPDT, gold contacts, SMD, G6J-2FS-Y 5VDC	Omron G6J-2FS-Y 5VDC
E109	Relay, monostable, 5V coil, DPDT, gold contacts, SMD, G6J-2FS-Y 5VDC	Omron G6J-2FS-Y 5VDC
E110	Relay, monostable, 5V coil, DPDT, gold contacts, SMD, G6J-2FS-Y 5VDC	Omron G6J-2FS-Y 5VDC
E111	Relay, monostable, 5V coil, DPDT, gold contacts, SMD, G6J-2FS-Y 5VDC	Omron G6J-2FS-Y 5VDC
E112	Relay, monostable, 5V coil, DPDT, gold contacts, SMD, G6J-2FS-Y 5VDC	Omron G6J-2FS-Y 5VDC
E121	Relay, monostable, 5V coil, DPDT, gold contacts, SMD, G6J-2FS-Y 5VDC	Omron G6J-2FS-Y 5VDC
E122	Relay, monostable, 5V coil, DPDT, gold contacts, SMD, G6J-2FS-Y 5VDC	Omron G6J-2FS-Y 5VDC
E123	Relay, monostable, 5V coil, DPDT, gold contacts, SMD, G6J-2FS-Y 5VDC	Omron G6J-2FS-Y 5VDC
E124	Relay, monostable, 5V coil, DPDT, gold contacts, SMD, G6J-2FS-Y 5VDC	Omron G6J-2FS-Y 5VDC
E125	Relay, monostable, 5V coil, DPDT, gold contacts, SMD, G6J-2FS-Y 5VDC	Omron G6J-2FS-Y 5VDC
E126	Relay, monostable, 5V coil, DPDT, gold contacts, SMD, G6J-2FS-Y 5VDC	Omron G6J-2FS-Y 5VDC
E127	Relay, monostable, 5V coil, DPDT, gold contacts, SMD, G6J-2FS-Y 5VDC	Omron G6J-2FS-Y 5VDC
E128	Relay, monostable, 5V coil, DPDT, gold contacts, SMD, G6J-2FS-Y 5VDC	Omron G6J-2FS-Y 5VDC
E129	Relay, monostable, 5V coil, DPDT, gold contacts, SMD, G6J-2FS-Y 5VDC	Omron G6J-2FS-Y 5VDC
E130	Relay, monostable, 5V coil, DPDT, gold contacts, SMD, G6J-2FS-Y 5VDC	Omron G6J-2FS-Y 5VDC
E131	Relay, monostable, 5V coil, DPDT, gold contacts, SMD, G6J-2FS-Y 5VDC	Omron G6J-2FS-Y 5VDC
E132	Relay, monostable, 5V coil, DPDT, gold contacts, SMD, G6J-2FS-Y 5VDC	Omron G6J-2FS-Y 5VDC
HZA	Spacer, phenolic, OD:0.625, ID:0.38, L:0.375, no finish	RAF Electronic Hardware 1250-38-PH-0
HZB	Spacer, phenolic, OD:0.625, ID:0.38, L:0.375, no finish	RAF Electronic Hardware 1250-38-PH-0
J101	Connector, XLR, 3-way, female, PCB, TH, angled, NC3FBH2	Neutric NC3FBH2
J102	Connector, XLR, 3-way, female, PCB, TH, angled, NC3FBH2	Neutric NC3FBH2
J103	Connector, RCA, female, PCB, TH, angled, 2x2, upper white, lower red, shield, separate grounds	TDI Tremiver YKC21-4012V
J104	Connector, RCA, female, PCB, TH, angled, 2x2, upper white, lower red, shield, separate grounds	TDI Tremiver YKC21-4012V
J105	Connector, RCA, female, PCB, TH, angled, 2x1, upper white, lower red, shield, separate grounds	TDI Tremiver PS-1635
J106	Connector, F series socket, right angle, TH, 1x1, extended, gold plated	Newform Electronics Co. CTC311G
J107	Connector, F series socket, right angle, TH, 1x1, extended, gold plated	Newform Electronics Co. CTC311G
J108	Connector, box, no latches, TH, DIL 0.1, 30-way, male, straight	Molex 39-28-5301
J109	Connector, AMP Micro Match, Ribbon SMD, male, 2x05	AMP AMP 1-188275-0
Q101	Transistor, NPN, SMD SOT-23 case, 30V, 0.6A	Fairchild MMBT2222
Q102	Transistor, NPN, SMD SOT-23 case, 30V, 0.6A	Fairchild MMBT2222
Q103	Transistor, NPN, SMD SOT-23 case, 30V, 0.6A	Fairchild MMBT2222
Q104	Transistor, NPN, SMD SOT-23 case, 30V, 0.6A	Fairchild MMBT2222
Q105	Transistor, NPN, SMD SOT-23 case, 30V, 0.6A	Fairchild MMBT2222
Q106	Transistor, NPN, SMD SOT-23 case, 30V, 0.6A	Fairchild MMBT2222
Q107	Transistor, NPN, SMD SOT-23 case, 30V, 0.6A	Fairchild MMBT2222
Q108	Transistor, NPN, SMD SOT-23 case, 30V, 0.6A	Fairchild MMBT2222
Q109	Transistor, NPN, SMD SOT-23 case, 30V, 0.6A	Fairchild MMBT2222
Q110	Transistor, NPN, SMD SOT-23 case, 30V, 0.6A	Fairchild MMBT2222
Q111	Transistor, NPN, SMD SOT-23 case, 30V, 0.6A	Fairchild MMBT2222
Q112	Transistor, NPN, SMD SOT-23 case, 30V, 0.6A	Fairchild MMBT2222
R101	Resistor, thickfilm, SMD0603, 0.1W, 50V, 100ppm, 3.30K, 1%	Koa Speer RK73H1JTTD3301F
R102	Resistor, thickfilm, SMD0603, 0.1W, 50V, 100ppm, 3.30K, 1%	Koa Speer RK73H1JTTD3301F
R103	Resistor, thickfilm, SMD0603, 0.1W, 50V, 100ppm, 4.70K, 1%	Phycomp 2322 704 64702L
R104	Resistor, thickfilm, SMD0603, 0.1W, 50V, 100ppm, 4.70K, 1%	Phycomp 2322 704 64702L
R105	Resistor, thinfilm, SMD0603, 0.063W, 50V, 100ppm, 100K, 1%	Koa Speer RN73C1JTTD1003F100
R106	Resistor, thinfilm, SMD0603, 0.063W, 50V, 100ppm, 10R, 1%	Venkel TFCR0603-16W-K-10R0FT
R107	Resistor, thinfilm, SMD0603, 0.063W, 50V, 100ppm, 100K, 1%	Koa Speer RN73C1JTTD1003F100
R108	Resistor, thickfilm, SMD0603, 1A, 0R	Venkel CR0603-10W-000
R109	Resistor, thickfilm, SMD0603, 0.1W, 50V, 100ppm, 3.30K, 1%	Koa Speer RK73H1JTTD3301F
R110	Resistor, thickfilm, SMD0603, 0.1W, 50V, 100ppm, 3.30K, 1%	Koa Speer RK73H1JTTD3301F
R111	Resistor, thinfilm, SMD0603, 0.063W, 50V, 100ppm, 10R, 1%	Venkel TFCR0603-16W-K-10R0FT
R112	Resistor, thickfilm, SMD0603, 0.1W, 50V, 100ppm, 4.70K, 1%	Phycomp 2322 704 64702L
R113	Resistor, thickfilm, SMD0603, 0.1W, 50V, 100ppm, 4.70K, 1%	Phycomp 2322 704 64702L
R114	Resistor, thinfilm, SMD0603, 0.063W, 50V, 100ppm, 100K, 1%	Koa Speer RN73C1JTTD1003F100
R115	Resistor, thinfilm, SMD0603, 0.063W, 50V, 100ppm, 10R, 1%	Venkel TFCR0603-16W-K-10R0FT
R116	Resistor, thinfilm, SMD0603, 0.063W, 50V, 100ppm, 100K, 1%	Koa Speer RN73C1JTTD1003F100
R117	Resistor, thickfilm, SMD0603, 1A, 0R	Venkel CR0603-10W-000
R118	Resistor, thickfilm, SMD0603, 0.1W, 50V, 100ppm, 3.30K, 1%	Koa Speer RK73H1JTTD3301F
R119	Resistor, thickfilm, SMD0603, 0.1W, 50V, 100ppm, 3.30K, 1%	Koa Speer RK73H1JTTD3301F
R120	Resistor, thinfilm, SMD0603, 0.063W, 50V, 100ppm, 10R, 1%	Venkel TFCR0603-16W-K-10R0FT
R121	Resistor, thickfilm, SMD0603, 0.1W, 50V, 100ppm, 4.70K, 1%	Phycomp 2322 704 64702L
R122	Resistor, thickfilm, SMD0603, 0.1W, 50V, 100ppm, 4.70K, 1%	Phycomp 2322 704 64702L
R123	Resistor, thinfilm, SMD0603, 0.063W, 50V, 100ppm, 100K, 1%	Koa Speer RN73C1JTTD1003F100
R124	Resistor, thinfilm, SMD0603, 0.063W, 50V, 100ppm, 10R, 1%	Venkel TFCR0603-16W-K-10R0FT
R125	Resistor, thickfilm, SMD0603, 0.1W, 50V, 100ppm, 3.30K, 1%	Koa Speer RK73H1JTTD3301F
R126	Resistor, thickfilm, SMD0603, 0.1W, 50V, 100ppm, 3.30K, 1%	Koa Speer RK73H1JTTD3301F
R127	Resistor, thinfilm, SMD0603, 0.063W, 50V, 100ppm, 100K, 1%	Koa Speer RN73C1JTTD1003F100
R128	Resistor, thickfilm, SMD0603, 1A, 0R	Venkel CR0603-10W-000
R129	Resistor, thickfilm, SMD0603, 0.1W, 50V, 100ppm, 4.70K, 1%	Phycomp 2322 704 64702L
R130	Resistor, thickfilm, SMD0603, 0.1W, 50V, 100ppm, 4.70K, 1%	Phycomp 2322 704 64702L
R131	Resistor, thinfilm, SMD0603, 0.063W, 50V, 100ppm, 10R, 1%	Venkel TFCR0603-16W-K-10R0FT
R132	Resistor, thinfilm, SMD0603, 0.063W, 50V, 100ppm, 100K, 1%	Koa Speer RN73C1JTTD1003F100

PARTS LIST (Cont'd.)

5 INPUT B PCB 320354 (IO21) (Cont'd.)

Ref. No.	Description	AVL
R133	Resistor, thinfilm, SMD0603, 0.063W, 50V, 100ppm, 10R, 1%	Venkel TFCR0603-16W-K-10R0FT
R134	Resistor, thickfilm, SMD0603, 0.1W, 50V, 100ppm, 3.30K, 1%	Koa Speer RK73H1JTDD3301F
R135	Resistor, thickfilm, SMD0603, 0.1W, 50V, 100ppm, 3.30K, 1%	Koa Speer RK73H1JTDD3301F
R136	Resistor, thinfilm, SMD0603, 0.063W, 50V, 100ppm, 100K, 1%	Koa Speer RN73C1JTDD1003F100
R137	Resistor, thickfilm, SMD0603, 1A, 0R	Venkel CR0603-10W-000
R138	Resistor, thickfilm, SMD0603, 0.1W, 50V, 100ppm, 4.70K, 1%	Phycomp 2322 704 64702L
R139	Resistor, thickfilm, SMD0603, 0.1W, 50V, 100ppm, 4.70K, 1%	Phycomp 2322 704 64702L
R140	Resistor, thinfilm, SMD0603, 0.063W, 50V, 100ppm, 10R, 1%	Venkel TFCR0603-16W-K-10R0FT
R141	Resistor, thickfilm, SMD0603, 0.1W, 50V, 100ppm, 3.30K, 1%	Koa Speer RK73H1JTDD3301F
R142	Resistor, thickfilm, SMD0603, 0.1W, 50V, 100ppm, 3.30K, 1%	Koa Speer RK73H1JTDD3301F
R143	Resistor, thickfilm, SMD0603, 0.1W, 50V, 100ppm, 4.70K, 1%	Phycomp 2322 704 64702L
R144	Resistor, thickfilm, SMD0603, 0.1W, 50V, 100ppm, 4.70K, 1%	Phycomp 2322 704 64702L
R145	Resistor, thickfilm, SMD0603, 1A, 0R	Venkel CR0603-10W-000
R146	Resistor, thickfilm, SMD0603, 1A, 0R	Venkel CR0603-10W-000
R147	Resistor, thickfilm, SMD0603, 1A, 0R	Venkel CR0603-10W-000
R148	Resistor, thickfilm, SMD0603, 1A, 0R	Venkel CR0603-10W-000
R149	Resistor, thickfilm, SMD0603, 1A, 0R	Venkel CR0603-10W-000
R150	Resistor, thickfilm, SMD0603, 1A, 0R	Venkel CR0603-10W-000
R151	Resistor, thickfilm, SMD0603, 1A, 0R	Venkel CR0603-10W-000
R152	Resistor, thickfilm, SMD0603, 1A, 0R	Venkel CR0603-10W-000
R153	Resistor, thickfilm, SMD0603, 1A, 0R	Venkel CR0603-10W-000
R154	Resistor, thickfilm, SMD0603, 1A, 0R	Venkel CR0603-10W-000
R155	Resistor, thickfilm, SMD0603, 1A, 0R	Venkel CR0603-10W-000
R156	Resistor, thickfilm, SMD0603, 1A, 0R	Venkel CR0603-10W-000
R201	Resistor, thickfilm, SMD0603, 0.1W, 50V, 100ppm, 10.0R, 1%	Phycomp 2322 704 61009L
R202	Resistor, thinfilm, SMD0603, 0.063W, 50V, 100ppm, 1.00K, 1%	Koa Speer RN73C1JTDD1001F100
R203	Resistor, thinfilm, SMD0603, 0.063W, 50V, 100ppm, 33.0R, 1%	Koa Speer RN73C1JTDD33R0F100
R204	Resistor, thinfilm, SMD0603, 0.063W, 50V, 100ppm, 33.0R, 1%	Koa Speer RN73C1JTDD33R0F100
R205	Resistor, thinfilm, SMD0603, 0.063W, 50V, 100ppm, 47.5K, 1%	Koa Speer RN73C1JTDD4752F100
R206	Resistor, thinfilm, SMD0603, 0.063W, 50V, 100ppm, 7.50K, 1%	Venkel TFCR0603-16W-K-7501FT
R207	Resistor, thinfilm, SMD0603, 0.063W, 50V, 100ppm, 95.3K, 1%	Koa Speer RN73C1JTDD9532F100
R208	Resistor, thinfilm, SMD0603, 0.063W, 50V, 100ppm, 95.3R, 1%	Venkel TFCR0603-16W-K-95R3FT
R209	Resistor, thickfilm, SMD0603, 0.1W, 50V, 100ppm, 10.0R, 1%	Phycomp 2322 704 61009L
R210	Resistor, thickfilm, SMD0603, 0.1W, 50V, 100ppm, 10.0R, 1%	Phycomp 2322 704 61009L
R211	Resistor, thinfilm, SMD0603, 0.063W, 50V, 100ppm, 1.00K, 1%	Koa Speer RN73C1JTDD1001F100
R212	Resistor, thinfilm, SMD0603, 0.063W, 50V, 100ppm, 33.0R, 1%	Koa Speer RN73C1JTDD33R0F100
R213	Resistor, thinfilm, SMD0603, 0.063W, 50V, 100ppm, 33.0R, 1%	Koa Speer RN73C1JTDD33R0F100
R214	Resistor, thinfilm, SMD0603, 0.063W, 50V, 100ppm, 47.5K, 1%	Koa Speer RN73C1JTDD4752F100
R215	Resistor, thinfilm, SMD0603, 0.063W, 50V, 100ppm, 7.50K, 1%	Venkel TFCR0603-16W-K-7501FT
R216	Resistor, thinfilm, SMD0603, 0.063W, 50V, 100ppm, 95.3K, 1%	Koa Speer RN73C1JTDD9532F100
R217	Resistor, thinfilm, SMD0603, 0.063W, 50V, 100ppm, 95.3R, 1%	Venkel TFCR0603-16W-K-95R3FT
R218	Resistor, thickfilm, SMD0603, 0.1W, 50V, 100ppm, 10.0R, 1%	Phycomp 2322 704 61009L
R219	Resistor, thickfilm, SMD0603, 1A, 0R	Venkel CR0603-10W-000
R220	Resistor, thickfilm, SMD0603, 1A, 0R	Venkel CR0603-10W-000
R221	Resistor, thickfilm, SMD0603, 1A, 0R	Venkel CR0603-10W-000
R222	Resistor, thickfilm, SMD0603, 1A, 0R	Venkel CR0603-10W-000
R223	Resistor, thickfilm, SMD0603, 1A, 0R	Venkel CR0603-10W-000
R224	Resistor, thickfilm, SMD0603, 1A, 0R	Venkel CR0603-10W-000
R225	Resistor, thickfilm, SMD0603, 1A, 0R	Venkel CR0603-10W-000
U201	IC, OP-AMP, single, audio, 6V-40V, 5nV noise, SOIC-8 case, NE5534AD	Texas Instruments NE5534AD
U202	IC, OP-AMP, single, audio, 6V-40V, 5nV noise, SOIC-8 case, NE5534AD	Texas Instruments NE5534AD

6 MULTI IN PCB 320350 (IO16)

Ref. No.	Description	AVL
C10A	Capacitor, SMD0805, NP0, 100pF, 50V, 2%	AVX 08055A101GAT2A
C10B	Capacitor, SMD0805, NP0, 100pF, 50V, 2%	AVX 08055A101GAT2A
C10C	Capacitor, SMD0805, NP0, 100pF, 50V, 2%	AVX 08055A101GAT2A
C11A	Capacitor, SMD0805, NP0, 100pF, 50V, 2%	AVX 08055A101GAT2A
C11B	Capacitor, SMD0805, NP0, 100pF, 50V, 2%	AVX 08055A101GAT2A
C11C	Capacitor, SMD0805, NP0, 100pF, 50V, 2%	AVX 08055A101GAT2A
C12A	Capacitor, SMD0603, NP0, 470pF, 50V, 5%	AVX 06035A471JAT2A
C12B	Capacitor, SMD0603, NP0, 470pF, 50V, 5%	AVX 06035A471JAT2A
C12C	Capacitor, SMD0603, NP0, 470pF, 50V, 5%	AVX 06035A471JAT2A
C13A	Capacitor, SMD0603, NP0, 470pF, 50V, 5%	AVX 06035A471JAT2A
C13B	Capacitor, SMD0603, NP0, 470pF, 50V, 5%	AVX 06035A471JAT2A
C13C	Capacitor, SMD0603, NP0, 470pF, 50V, 5%	AVX 06035A471JAT2A
C14A	Capacitor, SMD 5.3x5.4mm, AL, 2000hrs, 85C, 100uF, 6.3V, 20%	Nichicon UWR0J101MCL1GB
C14B	Capacitor, SMD 5.3x5.4mm, AL, 2000hrs, 85C, 100uF, 6.3V, 20%	Nichicon UWR0J101MCL1GB
C14C	Capacitor, SMD 5.3x5.4mm, AL, 2000hrs, 85C, 100uF, 6.3V, 20%	Nichicon UWR0J101MCL1GB
C15A	Capacitor, SMD 5.3x5.4mm, AL, 2000hrs, 85C, 100uF, 6.3V, 20%	Nichicon UWR0J101MCL1GB
C15B	Capacitor, SMD 5.3x5.4mm, AL, 2000hrs, 85C, 100uF, 6.3V, 20%	Nichicon UWR0J101MCL1GB

PARTS LIST (Cont'd.)

6 MULTI IN PCB 320350 (IO16) (Cont'd.)

Ref. No.	Description	AVL
C15C	Capacitor, SMD 5.3x5.4mm, AL, 2000hrs, 85C, 100uF, 6.3V, 20%	Nichicon UWR0J101MCL1GB
C16A	Capacitor, SMD0805, NP0, 1.2nF, 50V, 2%	AVX 08055A122GAT2A
C16B	Capacitor, SMD0805, NP0, 1.2nF, 50V, 2%	AVX 08055A122GAT2A
C16C	Capacitor, SMD0805, NP0, 1.2nF, 50V, 2%	AVX 08055A122GAT2A
C17A	Capacitor, SMD0805, NP0, 1.2nF, 50V, 2%	AVX 08055A122GAT2A
C17B	Capacitor, SMD0805, NP0, 1.2nF, 50V, 2%	AVX 08055A122GAT2A
C17C	Capacitor, SMD0805, NP0, 1.2nF, 50V, 2%	AVX 08055A122GAT2A
C18A	Capacitor, SMD0805, NP0, 1.2nF, 50V, 2%	AVX 08055A122GAT2A
C18B	Capacitor, SMD0805, NP0, 1.2nF, 50V, 2%	AVX 08055A122GAT2A
C18C	Capacitor, SMD0805, NP0, 1.2nF, 50V, 2%	AVX 08055A122GAT2A
C19A	Capacitor, SMD0805, NP0, 1.2nF, 50V, 2%	AVX 08055A122GAT2A
C19B	Capacitor, SMD0805, NP0, 1.2nF, 50V, 2%	AVX 08055A122GAT2A
C19C	Capacitor, SMD0805, NP0, 1.2nF, 50V, 2%	AVX 08055A122GAT2A
C20A	Capacitor, SMD0805, NP0, 2.2nF, 50V, 2%	AVX 08055A222GAT2A
C20B	Capacitor, SMD0805, NP0, 2.2nF, 50V, 2%	AVX 08055A222GAT2A
C20C	Capacitor, SMD0805, NP0, 2.2nF, 50V, 2%	AVX 08055A222GAT2A
C21A	Capacitor, SMD0603, X7R, 100nF, 25V, 20%	AVX 06033C104MAT2A
C21B	Capacitor, SMD0603, X7R, 100nF, 25V, 20%	AVX 06033C104MAT2A
C21C	Capacitor, SMD0603, X7R, 100nF, 25V, 20%	AVX 06033C104MAT2A
C22A	Capacitor, SMD 8.3x10.2mm, AL, 2000hrs, 85C, 470uF, 6.3V, 20%	Panasonic EEEV0JA471P
C22B	Capacitor, SMD 8.3x10.2mm, AL, 2000hrs, 85C, 470uF, 6.3V, 20%	Panasonic EEEV0JA471P
C22C	Capacitor, SMD 8.3x10.2mm, AL, 2000hrs, 85C, 470uF, 6.3V, 20%	Panasonic EEEV0JA471P
C23A	Capacitor, SMD 6.6x5.4mm, AL, 2000hrs, 85C, 47uF, 16V, 20%	Nichicon UWX1C470MCL1GB
C23B	Capacitor, SMD 6.6x5.4mm, AL, 2000hrs, 85C, 47uF, 16V, 20%	Nichicon UWX1C470MCL1GB
C23C	Capacitor, SMD 6.6x5.4mm, AL, 2000hrs, 85C, 47uF, 16V, 20%	Nichicon UWX1C470MCL1GB
C24A	Capacitor, SMD 6.6x5.4mm, AL, 2000hrs, 85C, 47uF, 16V, 20%	Nichicon UWX1C470MCL1GB
C24B	Capacitor, SMD 6.6x5.4mm, AL, 2000hrs, 85C, 47uF, 16V, 20%	Nichicon UWX1C470MCL1GB
C24C	Capacitor, SMD 6.6x5.4mm, AL, 2000hrs, 85C, 47uF, 16V, 20%	Nichicon UWX1C470MCL1GB
C25A	Capacitor, SMD0603, X7R, 100nF, 25V, 20%	AVX 06033C104MAT2A
C25B	Capacitor, SMD0603, X7R, 100nF, 25V, 20%	AVX 06033C104MAT2A
C25C	Capacitor, SMD0603, X7R, 100nF, 25V, 20%	AVX 06033C104MAT2A
C26A	Capacitor, SMD0603, X7R, 100nF, 25V, 20%	AVX 06033C104MAT2A
C26B	Capacitor, SMD0603, X7R, 100nF, 25V, 20%	AVX 06033C104MAT2A
C26C	Capacitor, SMD0603, X7R, 100nF, 25V, 20%	AVX 06033C104MAT2A
C27A	Capacitor, SMD0603, X7R, 100nF, 25V, 20%	AVX 06033C104MAT2A
C27B	Capacitor, SMD0603, X7R, 100nF, 25V, 20%	AVX 06033C104MAT2A
C27C	Capacitor, SMD0603, X7R, 100nF, 25V, 20%	AVX 06033C104MAT2A
C28A	Capacitor, SMD0603, X7R, 100nF, 25V, 20%	AVX 06033C104MAT2A
C28B	Capacitor, SMD0603, X7R, 100nF, 25V, 20%	AVX 06033C104MAT2A
C28C	Capacitor, SMD0603, X7R, 100nF, 25V, 20%	AVX 06033C104MAT2A
C50A	Capacitor, SMD0805, NP0, 100pF, 50V, 2%	AVX 08055A101GAT2A
C50B	Capacitor, SMD0805, NP0, 100pF, 50V, 2%	AVX 08055A101GAT2A
C50C	Capacitor, SMD0805, NP0, 100pF, 50V, 2%	AVX 08055A101GAT2A
C51A	Capacitor, SMD0805, NP0, 100pF, 50V, 2%	AVX 08055A101GAT2A
C51B	Capacitor, SMD0805, NP0, 100pF, 50V, 2%	AVX 08055A101GAT2A
C51C	Capacitor, SMD0805, NP0, 100pF, 50V, 2%	AVX 08055A101GAT2A
C52A	Capacitor, SMD0603, NP0, 470pF, 50V, 5%	AVX 06035A471JAT2A
C52B	Capacitor, SMD0603, NP0, 470pF, 50V, 5%	AVX 06035A471JAT2A
C52C	Capacitor, SMD0603, NP0, 470pF, 50V, 5%	AVX 06035A471JAT2A
C53A	Capacitor, SMD0603, NP0, 470pF, 50V, 5%	AVX 06035A471JAT2A
C53B	Capacitor, SMD0603, NP0, 470pF, 50V, 5%	AVX 06035A471JAT2A
C53C	Capacitor, SMD0603, NP0, 470pF, 50V, 5%	AVX 06035A471JAT2A
C54A	Capacitor, SMD 5.3x5.4mm, AL, 2000hrs, 85C, 100uF, 6.3V, 20%	Nichicon UWR0J101MCL1GB
C54B	Capacitor, SMD 5.3x5.4mm, AL, 2000hrs, 85C, 100uF, 6.3V, 20%	Nichicon UWR0J101MCL1GB
C54C	Capacitor, SMD 5.3x5.4mm, AL, 2000hrs, 85C, 100uF, 6.3V, 20%	Nichicon UWR0J101MCL1GB
C55A	Capacitor, SMD 5.3x5.4mm, AL, 2000hrs, 85C, 100uF, 6.3V, 20%	Nichicon UWR0J101MCL1GB
C55B	Capacitor, SMD 5.3x5.4mm, AL, 2000hrs, 85C, 100uF, 6.3V, 20%	Nichicon UWR0J101MCL1GB
C55C	Capacitor, SMD 5.3x5.4mm, AL, 2000hrs, 85C, 100uF, 6.3V, 20%	Nichicon UWR0J101MCL1GB
C56A	Capacitor, SMD0805, NP0, 1.2nF, 50V, 2%	AVX 08055A122GAT2A
C56B	Capacitor, SMD0805, NP0, 1.2nF, 50V, 2%	AVX 08055A122GAT2A
C56C	Capacitor, SMD0805, NP0, 1.2nF, 50V, 2%	AVX 08055A122GAT2A
C57A	Capacitor, SMD0805, NP0, 1.2nF, 50V, 2%	AVX 08055A122GAT2A
C57B	Capacitor, SMD0805, NP0, 1.2nF, 50V, 2%	AVX 08055A122GAT2A
C57C	Capacitor, SMD0805, NP0, 1.2nF, 50V, 2%	AVX 08055A122GAT2A
C58A	Capacitor, SMD0805, NP0, 1.2nF, 50V, 2%	AVX 08055A122GAT2A
C58B	Capacitor, SMD0805, NP0, 1.2nF, 50V, 2%	AVX 08055A122GAT2A
C58C	Capacitor, SMD0805, NP0, 1.2nF, 50V, 2%	AVX 08055A122GAT2A
C59A	Capacitor, SMD0805, NP0, 1.2nF, 50V, 2%	AVX 08055A122GAT2A
C59B	Capacitor, SMD0805, NP0, 1.2nF, 50V, 2%	AVX 08055A122GAT2A
C59C	Capacitor, SMD0805, NP0, 1.2nF, 50V, 2%	AVX 08055A122GAT2A
C60A	Capacitor, SMD0805, NP0, 2.2nF, 50V, 2%	AVX 08055A222GAT2A

PARTS LIST (Cont'd.)

6 MULTI IN PCB 320350 (IO16) (Cont'd.)

Ref. No.	Description	AVL
C60B	Capacitor, SMD0805, NP0, 2.2nF, 50V, 2%	AVX 08055A222GAT2A
C60C	Capacitor, SMD0805, NP0, 2.2nF, 50V, 2%	AVX 08055A222GAT2A
C61A	Capacitor, SMD0603, X7R, 100nF, 25V, 20%	AVX 06033C104MAT2A
C61B	Capacitor, SMD0603, X7R, 100nF, 25V, 20%	AVX 06033C104MAT2A
C61C	Capacitor, SMD0603, X7R, 100nF, 25V, 20%	AVX 06033C104MAT2A
C62A	Capacitor, SMD 8.3x10.2mm, AL, 2000hrs, 85C, 470uF, 6.3V, 20%	Panasonic EEEV0JA471P
C62B	Capacitor, SMD 8.3x10.2mm, AL, 2000hrs, 85C, 470uF, 6.3V, 20%	Panasonic EEEV0JA471P
C62C	Capacitor, SMD 8.3x10.2mm, AL, 2000hrs, 85C, 470uF, 6.3V, 20%	Panasonic EEEV0JA471P
C63A	Capacitor, SMD 6.6x5.4mm, AL, 2000hrs, 85C, 47uF, 16V, 20%	Nichicon UWX1C470MCL1GB
C63B	Capacitor, SMD 6.6x5.4mm, AL, 2000hrs, 85C, 47uF, 16V, 20%	Nichicon UWX1C470MCL1GB
C63C	Capacitor, SMD 6.6x5.4mm, AL, 2000hrs, 85C, 47uF, 16V, 20%	Nichicon UWX1C470MCL1GB
C64A	Capacitor, SMD 6.6x5.4mm, AL, 2000hrs, 85C, 47uF, 16V, 20%	Nichicon UWX1C470MCL1GB
C64B	Capacitor, SMD 6.6x5.4mm, AL, 2000hrs, 85C, 47uF, 16V, 20%	Nichicon UWX1C470MCL1GB
C64C	Capacitor, SMD 6.6x5.4mm, AL, 2000hrs, 85C, 47uF, 16V, 20%	Nichicon UWX1C470MCL1GB
C65A	Capacitor, SMD0603, X7R, 100nF, 25V, 20%	AVX 06033C104MAT2A
C65B	Capacitor, SMD0603, X7R, 100nF, 25V, 20%	AVX 06033C104MAT2A
C65C	Capacitor, SMD0603, X7R, 100nF, 25V, 20%	AVX 06033C104MAT2A
C66A	Capacitor, SMD0603, X7R, 100nF, 25V, 20%	AVX 06033C104MAT2A
C66B	Capacitor, SMD0603, X7R, 100nF, 25V, 20%	AVX 06033C104MAT2A
C66C	Capacitor, SMD0603, X7R, 100nF, 25V, 20%	AVX 06033C104MAT2A
C67A	Capacitor, SMD0603, X7R, 100nF, 25V, 20%	AVX 06033C104MAT2A
C67B	Capacitor, SMD0603, X7R, 100nF, 25V, 20%	AVX 06033C104MAT2A
C67C	Capacitor, SMD0603, X7R, 100nF, 25V, 20%	AVX 06033C104MAT2A
C68A	Capacitor, SMD0603, X7R, 100nF, 25V, 20%	AVX 06033C104MAT2A
C68B	Capacitor, SMD0603, X7R, 100nF, 25V, 20%	AVX 06033C104MAT2A
C68C	Capacitor, SMD0603, X7R, 100nF, 25V, 20%	AVX 06033C104MAT2A
C101	Capacitor, SMD0603, NP0, 100pF, 50V, 10%	AVX 06035A101KAT2A
C102	Capacitor, SMD0603, NP0, 100pF, 50V, 10%	AVX 06035A101KAT2A
C103	Capacitor, SMD0603, NP0, 100pF, 50V, 10%	AVX 06035A101KAT2A
C104	Capacitor, SMD0603, NP0, 100pF, 50V, 10%	AVX 06035A101KAT2A
C105	Capacitor, SMD0603, NP0, 100pF, 50V, 10%	AVX 06035A101KAT2A
C106	Capacitor, SMD0603, NP0, 100pF, 50V, 10%	AVX 06035A101KAT2A
C107	Capacitor, SMD0603, NP0, 100pF, 50V, 10%	AVX 06035A101KAT2A
C108	Capacitor, SMD0603, NP0, 100pF, 50V, 10%	AVX 06035A101KAT2A
C109	Capacitor, SMD0603, NP0, 100pF, 50V, 10%	AVX 06035A101KAT2A
C110	Capacitor, SMD0603, NP0, 100pF, 50V, 10%	AVX 06035A101KAT2A
C111	Capacitor, SMD0603, NP0, 100pF, 50V, 10%	AVX 06035A101KAT2A
C112	Capacitor, SMD0603, NP0, 100pF, 50V, 10%	AVX 06035A101KAT2A
C113	Capacitor, SMD0603, NP0, 22pF, 50V, 10%	AVX 06035A220KAT2A
C114	Capacitor, SMD0603, NP0, 22pF, 50V, 10%	AVX 06035A220KAT2A
C115	Capacitor, SMD0603, NP0, 22pF, 50V, 10%	AVX 06035A220KAT2A
C116	Capacitor, SMD0603, NP0, 22pF, 50V, 10%	AVX 06035A220KAT2A
C117	Capacitor, SMD0603, NP0, 22pF, 50V, 10%	AVX 06035A220KAT2A
C118	Capacitor, SMD0603, NP0, 22pF, 50V, 10%	AVX 06035A220KAT2A
C119	Capacitor, SMD0603, NP0, 22pF, 50V, 10%	AVX 06035A220KAT2A
C120	Capacitor, SMD0603, NP0, 22pF, 50V, 10%	AVX 06035A220KAT2A
C121	Capacitor, SMD0603, NP0, 22pF, 50V, 10%	AVX 06035A220KAT2A
C122	Capacitor, SMD0603, NP0, 22pF, 50V, 10%	AVX 06035A220KAT2A
C123	Capacitor, SMD0603, NP0, 22pF, 50V, 10%	AVX 06035A220KAT2A
C191	Capacitor, SMD0805, X7R, 10nF, 50V, 20%	AVX 08055C103MAT2A
C192	Capacitor, SMD0805, X7R, 10nF, 50V, 20%	AVX 08055C103MAT2A
C193	Capacitor, SMD0805, X7R, 10nF, 50V, 20%	AVX 08055C103MAT2A
C194	Capacitor, SMD0805, X7R, 10nF, 50V, 20%	AVX 08055C103MAT2A
C195	Capacitor, SMD0805, X7R, 10nF, 50V, 20%	AVX 08055C103MAT2A
C201	Capacitor, SMD 8.3x10.2mm, AL, 2000hrs, 85C, 220uF, 25V, 20%	Panasonic EEE1EA221UP
C202	Capacitor, SMD1206, X7R, 1uF, 16V, 10%	AVX 1206YC105KAT2A
C203	Capacitor, SMD0603, X7R, 100nF, 25V, 20%	AVX 06033C104MAT2A
C204	Capacitor, SMD0603, X7R, 100nF, 25V, 20%	AVX 06033C104MAT2A
C205	Capacitor, SMD1206, X7R, 1uF, 16V, 10%	AVX 1206YC105KAT2A
C206	Capacitor, SMD0603, X7R, 100nF, 25V, 20%	AVX 06033C104MAT2A
C207	Capacitor, SMD0603, X7R, 100nF, 25V, 20%	AVX 06033C104MAT2A
C208	Capacitor, SMD0603, X7R, 100nF, 25V, 20%	AVX 06033C104MAT2A
C209	Capacitor, SMD0603, X7R, 100nF, 25V, 20%	AVX 06033C104MAT2A
C210	Capacitor, SMD0603, X7R, 100nF, 25V, 20%	AVX 06033C104MAT2A
C334	Capacitor, SMD0603, X7R, 100nF, 25V, 20%	AVX 06033C104MAT2A
C333	Capacitor, SMD 6.6x5.4mm, AL, 2000hrs, 85C, 47uF, 16V, 20%	Nichicon UWX1C470MCL1GB
C335	Capacitor, SMD0603, X7R, 100nF, 25V, 20%	AVX 06033C104MAT2A
C336	Capacitor, SMD 6.6x5.4mm, AL, 2000hrs, 85C, 47uF, 16V, 20%	Nichicon UWX1C470MCL1GB
C337	Capacitor, SMD0603, X7R, 100nF, 25V, 20%	AVX 06033C104MAT2A
C338	Capacitor, SMD0603, X7R, 100nF, 25V, 20%	AVX 06033C104MAT2A
C339	Capacitor, SMD 5.3x5.4mm, AL, 2000hrs, 85C, 47uF, 6.3V, 20%	Nichicon UWX0J470MCL1GB
C346	Capacitor, SMD 5.3x5.4mm, AL, 2000hrs, 85C, 47uF, 6.3V, 20%	Nichicon UWX0J470MCL1GB

PARTS LIST (Cont'd.)

6 MULTI IN PCB 320350 (IO16) (Cont'd.)

Ref. No.	Description	AVL
C347	Capacitor, SMD0603, X7R, 100nF, 25V, 20%	AVX 06033C104MAT2A
C348	Capacitor, SMD0805, X7R, 10nF, 50V, 20%	AVX 08055C103MAT2A
C349	Capacitor, SMD1206, X7R, 2.2uF, 10V, 20%	AVX 1206YC225MAT2A
D10A	Diode, dual, series connected, SMD, 70V, 0.2A, 6nS, SOT-23-3 case, BAV99	Fairchild BAV99
D10B	Diode, dual, series connected, SMD, 70V, 0.2A, 6nS, SOT-23-3 case, BAV99	Fairchild BAV99
D10C	Diode, dual, series connected, SMD, 70V, 0.2A, 6nS, SOT-23-3 case, BAV99	Fairchild BAV99
D11A	Diode, dual, series connected, SMD, 70V, 0.2A, 6nS, SOT-23-3 case, BAV99	Fairchild BAV99
D11B	Diode, dual, series connected, SMD, 70V, 0.2A, 6nS, SOT-23-3 case, BAV99	Fairchild BAV99
D11C	Diode, dual, series connected, SMD, 70V, 0.2A, 6nS, SOT-23-3 case, BAV99	Fairchild BAV99
D50A	Diode, dual, series connected, SMD, 70V, 0.2A, 6nS, SOT-23-3 case, BAV99	Fairchild BAV99
D50B	Diode, dual, series connected, SMD, 70V, 0.2A, 6nS, SOT-23-3 case, BAV99	Fairchild BAV99
D50C	Diode, dual, series connected, SMD, 70V, 0.2A, 6nS, SOT-23-3 case, BAV99	Fairchild BAV99
D51A	Diode, dual, series connected, SMD, 70V, 0.2A, 6nS, SOT-23-3 case, BAV99	Fairchild BAV99
D51B	Diode, dual, series connected, SMD, 70V, 0.2A, 6nS, SOT-23-3 case, BAV99	Fairchild BAV99
D51C	Diode, dual, series connected, SMD, 70V, 0.2A, 6nS, SOT-23-3 case, BAV99	Fairchild BAV99
D90A	Diode, dual, series connected, SMD, 70V, 0.2A, 6nS, SOT-23-3 case, BAV99	Fairchild BAV99
D90B	Diode, dual, series connected, SMD, 70V, 0.2A, 6nS, SOT-23-3 case, BAV99	Fairchild BAV99
D90C	Diode, dual, series connected, SMD, 70V, 0.2A, 6nS, SOT-23-3 case, BAV99	Fairchild BAV99
E10A	Relay, monostable, 12V coil, DPDT, gold contacts, SMD, G6J-2FS-Y 12VDC	Omron G6J-2FS-Y 12VDC
E10B	Relay, monostable, 12V coil, DPDT, gold contacts, SMD, G6J-2FS-Y 12VDC	Omron G6J-2FS-Y 12VDC
E10C	Relay, monostable, 12V coil, DPDT, gold contacts, SMD, G6J-2FS-Y 12VDC	Omron G6J-2FS-Y 12VDC
J101	Connector, RCA, female, PCB, TH, angled, 2x4, Surround multicolor with shield	Kunming Electronics HSP-248VS21-24
J103	Connector, AMP Micro Match, Ribbon SMD, male, 2x07	Tyco 1-188275-4
Q90A	Transistor, MOSFET, N-channel, SMD SOT-23 case, 50V, 0.22A, 3.5Rdson, 1.7nC gate charge, BSS138	Fairchild BSS138
Q90B	Transistor, MOSFET, N-channel, SMD SOT-23 case, 50V, 0.22A, 3.5Rdson, 1.7nC gate charge, BSS138	Fairchild BSS138
Q90C	Transistor, MOSFET, N-channel, SMD SOT-23 case, 50V, 0.22A, 3.5Rdson, 1.7nC gate charge, BSS138	Fairchild BSS138
R10A	Resistor, thinfilm, SMD0805, 0.1W, 75V, 100ppm, 10.5K, 1%	Koa Speer RN732ATTD1052F100
R10B	Resistor, thinfilm, SMD0805, 0.1W, 75V, 100ppm, 10.5K, 1%	Koa Speer RN732ATTD1052F100
R10C	Resistor, thinfilm, SMD0805, 0.1W, 75V, 100ppm, 10.5K, 1%	Koa Speer RN732ATTD1052F100
R11A	Resistor, thinfilm, SMD0805, 0.1W, 75V, 100ppm, 100K, 1%	Koa Speer RN732ATTD1003F100
R11B	Resistor, thinfilm, SMD0805, 0.1W, 75V, 100ppm, 100K, 1%	Koa Speer RN732ATTD1003F100
R11C	Resistor, thinfilm, SMD0805, 0.1W, 75V, 100ppm, 100K, 1%	Koa Speer RN732ATTD1003F100
R12A	Resistor, thinfilm, SMD0805, 0.1W, 75V, 100ppm, 100K, 1%	Koa Speer RN732ATTD1003F100
R12B	Resistor, thinfilm, SMD0805, 0.1W, 75V, 100ppm, 100K, 1%	Koa Speer RN732ATTD1003F100
R12C	Resistor, thinfilm, SMD0805, 0.1W, 75V, 100ppm, 100K, 1%	Koa Speer RN732ATTD1003F100
R13A	Resistor, thinfilm, SMD0805, 0.1W, 75V, 100ppm, 100R, 1%	Koa Speer RN732ATTD1000F100
R13B	Resistor, thinfilm, SMD0805, 0.1W, 75V, 100ppm, 100R, 1%	Koa Speer RN732ATTD1000F100
R13C	Resistor, thinfilm, SMD0805, 0.1W, 75V, 100ppm, 100R, 1%	Koa Speer RN732ATTD1000F100
R14A	Resistor, thinfilm, SMD0805, 0.1W, 75V, 100ppm, 100R, 1%	Koa Speer RN732ATTD1000F100
R14B	Resistor, thinfilm, SMD0805, 0.1W, 75V, 100ppm, 100R, 1%	Koa Speer RN732ATTD1000F100
R14C	Resistor, thinfilm, SMD0805, 0.1W, 75V, 100ppm, 100R, 1%	Koa Speer RN732ATTD1000F100
R15A	Resistor, thinfilm, SMD0805, 0.1W, 75V, 100ppm, 100R, 1%	Koa Speer RN732ATTD1000F100
R15B	Resistor, thinfilm, SMD0805, 0.1W, 75V, 100ppm, 100R, 1%	Koa Speer RN732ATTD1000F100
R15C	Resistor, thinfilm, SMD0805, 0.1W, 75V, 100ppm, 100R, 1%	Koa Speer RN732ATTD1000F100
R16A	Resistor, thinfilm, SMD0805, 0.1W, 75V, 100ppm, 100R, 1%	Koa Speer RN732ATTD1000F100
R16B	Resistor, thinfilm, SMD0805, 0.1W, 75V, 100ppm, 100R, 1%	Koa Speer RN732ATTD1000F100
R16C	Resistor, thinfilm, SMD0805, 0.1W, 75V, 100ppm, 100R, 1%	Koa Speer RN732ATTD1000F100
R17A	Resistor, thinfilm, SMD0805, 0.1W, 75V, 100ppm, 274R, 1%	Koa Speer RN732ATTD2740F100
R17B	Resistor, thinfilm, SMD0805, 0.1W, 75V, 100ppm, 274R, 1%	Koa Speer RN732ATTD2740F100
R17C	Resistor, thinfilm, SMD0805, 0.1W, 75V, 100ppm, 274R, 1%	Koa Speer RN732ATTD2740F100
R18A	Resistor, thinfilm, SMD0805, 0.1W, 75V, 100ppm, 274R, 1%	Koa Speer RN732ATTD2740F100
R18B	Resistor, thinfilm, SMD0805, 0.1W, 75V, 100ppm, 274R, 1%	Koa Speer RN732ATTD2740F100
R18C	Resistor, thinfilm, SMD0805, 0.1W, 75V, 100ppm, 274R, 1%	Koa Speer RN732ATTD2740F100
R19A	Resistor, thinfilm, SMD0805, 0.1W, 75V, 100ppm, 26.1K, 1%	Koa Speer RN732ATTD2612F100
R19B	Resistor, thinfilm, SMD0805, 0.1W, 75V, 100ppm, 26.1K, 1%	Koa Speer RN732ATTD2612F100
R19C	Resistor, thinfilm, SMD0805, 0.1W, 75V, 100ppm, 26.1K, 1%	Koa Speer RN732ATTD2612F100
R20A	Resistor, thinfilm, SMD0805, 0.1W, 75V, 100ppm, 910R, 1%	Venkel TFCR0805-8W-K-9100FT
R20B	Resistor, thinfilm, SMD0805, 0.1W, 75V, 100ppm, 910R, 1%	Venkel TFCR0805-8W-K-9100FT
R20C	Resistor, thinfilm, SMD0805, 0.1W, 75V, 100ppm, 910R, 1%	Venkel TFCR0805-8W-K-9100FT
R21A	Resistor, thinfilm, SMD0805, 0.1W, 75V, 100ppm, 13.0K, 1%	Venkel TFCR0805-8W-K-1302FT
R21B	Resistor, thinfilm, SMD0805, 0.1W, 75V, 100ppm, 13.0K, 1%	Venkel TFCR0805-8W-K-1302FT
R21C	Resistor, thinfilm, SMD0805, 0.1W, 75V, 100ppm, 13.0K, 1%	Venkel TFCR0805-8W-K-1302FT
R22A	Resistor, thinfilm, SMD0805, 0.1W, 75V, 100ppm, 12.7K, 1%	Venkel TFCR0805-8W-K-1272FT
R22B	Resistor, thinfilm, SMD0805, 0.1W, 75V, 100ppm, 12.7K, 1%	Venkel TFCR0805-8W-K-1272FT
R22C	Resistor, thinfilm, SMD0805, 0.1W, 75V, 100ppm, 12.7K, 1%	Venkel TFCR0805-8W-K-1272FT
R23A	Resistor, thinfilm, SMD0805, 0.1W, 75V, 100ppm, 274R, 1%	Koa Speer RN732ATTD2740F100
R23B	Resistor, thinfilm, SMD0805, 0.1W, 75V, 100ppm, 274R, 1%	Koa Speer RN732ATTD2740F100
R23C	Resistor, thinfilm, SMD0805, 0.1W, 75V, 100ppm, 274R, 1%	Koa Speer RN732ATTD2740F100
R24A	Resistor, thinfilm, SMD0805, 0.1W, 75V, 100ppm, 3.30K, 1%	Koa Speer RN732ATTD3301F100
R24B	Resistor, thinfilm, SMD0805, 0.1W, 75V, 100ppm, 3.30K, 1%	Koa Speer RN732ATTD3301F100
R24C	Resistor, thinfilm, SMD0805, 0.1W, 75V, 100ppm, 3.30K, 1%	Koa Speer RN732ATTD3301F100

PARTS LIST (Cont'd.)

6 MULTI IN PCB 320350 (IO16) (Cont'd.)

Ref. No.	Description	AVL
R92B	Resistor, thickfilm, SMD0805, 0.125W, 150V, 100ppm, 240R, 1%	Koa Speer RK73H2ATTD2400F
R92C	Resistor, thickfilm, SMD0805, 0.125W, 150V, 100ppm, 240R, 1%	Koa Speer RK73H2ATTD2400F
R101	Resistor, thinfilm, SMD0805, 0.1W, 75V, 100ppm, 10.0R, 1%	Koa Speer RN732ATTD10R0F100
R102	Resistor, thinfilm, SMD0805, 0.1W, 75V, 100ppm, 10.0R, 1%	Koa Speer RN732ATTD10R0F100
R103	Resistor, thinfilm, SMD0805, 0.1W, 75V, 100ppm, 10.0R, 1%	Koa Speer RN732ATTD10R0F100
R104	Resistor, thickfilm, SMD0603, 0.1W, 50V, 100ppm, 100R, 1%	Phycomp 2322 704 61001L
R105	Resistor, thickfilm, SMD0603, 0.1W, 50V, 100ppm, 470R, 1%	Koa Speer RK73H1JTTD4700F
R106	Resistor, thickfilm, SMD0603, 0.1W, 50V, 100ppm, 470R, 1%	Koa Speer RK73H1JTTD4700F
R107	Resistor, thinfilm, SMD0805, 0.1W, 75V, 100ppm, 10.0R, 1%	Koa Speer RN732ATTD10R0F100
R108	Resistor, thickfilm, SMD0603, 0.1W, 50V, 100ppm, 470R, 1%	Koa Speer RK73H1JTTD4700F
R109	Resistor, thickfilm, SMD0603, 0.1W, 50V, 100ppm, 470R, 1%	Koa Speer RK73H1JTTD4700F
R110	Resistor, thickfilm, SMD0603, 0.1W, 50V, 100ppm, 470R, 1%	Koa Speer RK73H1JTTD4700F
R111	Resistor, thickfilm, SMD0603, 0.1W, 50V, 100ppm, 100R, 1%	Phycomp 2322 704 61001L
R112	Resistor, thickfilm, SMD0603, 0.1W, 50V, 100ppm, 100R, 1%	Phycomp 2322 704 61001L
R113	Resistor, thickfilm, SMD0603, 0.1W, 50V, 100ppm, 100R, 1%	Phycomp 2322 704 61001L
R114	Resistor, thickfilm, SMD0603, 0.1W, 50V, 100ppm, 100R, 1%	Phycomp 2322 704 61001L
R115	Resistor, thickfilm, SMD0603, 1A, 0R	Venkel CR0603-10W-000
R116	Resistor, thickfilm, SMD0603, 0.1W, 50V, 100ppm, 100R, 1%	Phycomp 2322 704 61001L
R117	Resistor, thickfilm, SMD0603, 1A, 0R	Venkel CR0603-10W-000
R118	Resistor, thickfilm, SMD0603, 1A, 0R	Venkel CR0603-10W-000
R119	Resistor, thickfilm, SMD0603, 1A, 0R	Venkel CR0603-10W-000
R120	Resistor, thickfilm, SMD0603, 1A, 0R	Venkel CR0603-10W-000
R121	Resistor, thickfilm, SMD0603, 1A, 0R	Venkel CR0603-10W-000
R122	Resistor, thickfilm, SMD0603, 0.1W, 50V, 100ppm, 10.0K, 1%	Phycomp 2322 704 61003L
R123	Resistor, thickfilm, SMD0603, 0.1W, 50V, 100ppm, 10.0K, 1%	Phycomp 2322 704 61003L
R124	Resistor, thickfilm, SMD0603, 0.1W, 50V, 100ppm, 10.0K, 1%	Phycomp 2322 704 61003L
R125	Resistor, thickfilm, SMD0603, 0.1W, 50V, 100ppm, 10.0K, 1%	Phycomp 2322 704 61003L
R126	Resistor, thickfilm, SMD0603, 0.1W, 50V, 100ppm, 10.0K, 1%	Phycomp 2322 704 61003L
R127	Resistor, thickfilm, SMD0603, 0.1W, 50V, 100ppm, 10.0K, 1%	Phycomp 2322 704 61003L
R128	Resistor, thickfilm, SMD0603, 0.1W, 50V, 100ppm, 10.0K, 1%	Phycomp 2322 704 61003L
R129	Resistor, thickfilm, SMD0603, 0.1W, 50V, 100ppm, 100R, 1%	Phycomp 2322 704 61001L
R130	Resistor, thickfilm, SMD0603, 0.1W, 50V, 100ppm, 470R, 1%	Koa Speer RK73H1JTTD4700F
R201	Resistor, thickfilm, SMD0603, 0.1W, 50V, 100ppm, 10.0R, 1%	Phycomp 2322 704 61009L
R202	Resistor, thickfilm, SMD0603, 0.1W, 50V, 100ppm, 1.00K, 1%	Phycomp 2322 704 61002L
R204	Resistor, thickfilm, SMD0603, 0.1W, 50V, 100ppm, 1.00K, 1%	Phycomp 2322 704 61002L
R205	Resistor, thickfilm, SMD0603, 0.1W, 50V, 100ppm, 10.0R, 1%	Phycomp 2322 704 61009L
R206	Resistor, thickfilm, SMD0603, 0.1W, 50V, 100ppm, 10.0R, 1%	Phycomp 2322 704 61009L
R207	Resistor, thickfilm, SMD0603, 0.1W, 50V, 400ppm, 1.00R, 1%	Koa Speer RK73H1JTTD1R00F
R212	Resistor, thickfilm, SMD0603, 0.1W, 50V, 100ppm, 1.00K, 1%	Phycomp 2322 704 61002L
R213	Resistor, thickfilm, SMD0603, 0.1W, 50V, 100ppm, 10.0K, 1%	Phycomp 2322 704 61003L
R214	Resistor, thickfilm, SMD0603, 0.1W, 50V, 100ppm, 1.00K, 1%	Phycomp 2322 704 61002L
R215	Resistor, thickfilm, SMD0603, 0.1W, 50V, 100ppm, 1.00K, 1%	Phycomp 2322 704 61002L
R216	Resistor, thickfilm, SMD0603, 0.1W, 50V, 100ppm, 1.00K, 1%	Phycomp 2322 704 61002L
R217	Resistor, thickfilm, SMD0603, 0.1W, 50V, 100ppm, 1.00K, 1%	Phycomp 2322 704 61002L
R218	Resistor, thickfilm, SMD0603, 0.1W, 50V, 100ppm, 1.00K, 1%	Phycomp 2322 704 61002L
R219	Resistor, thickfilm, SMD0603, 0.1W, 50V, 100ppm, 1.00K, 1%	Phycomp 2322 704 61002L
R330	Resistor, thickfilm, SMD1206, 0.25W, 200V, 400ppm, 1.50R, 1%	Koa Speer RK73H2BTDD1R50F
R331	Resistor, thickfilm, SMD1206, 0.25W, 200V, 400ppm, 1.50R, 1%	Koa Speer RK73H2BTDD1R50F
R332	Resistor, thickfilm, SMD1206, 0.25W, 200V, 400ppm, 1.50R, 1%	Koa Speer RK73H2BTDD1R50F
R334	Resistor, thickfilm, SMD1206, 0.25W, 200V, 400ppm, 1.50R, 1%	Koa Speer RK73H2BTDD1R50F
R335	Resistor, thickfilm, SMD1206, 0.25W, 200V, 400ppm, 1.50R, 1%	Koa Speer RK73H2BTDD1R50F
R336	Resistor, thickfilm, SMD1206, 0.25W, 200V, 400ppm, 1.50R, 1%	Koa Speer RK73H2BTDD1R50F
R338	Resistor, thickfilm, SMD1206, 0.25W, 200V, 400ppm, 1.50R, 1%	Koa Speer RK73H2BTDD1R50F
R346	Resistor, thickfilm, SMD0805, 0.125W, 150V, 100ppm, 10.0R, 1%	Koa Speer RK73H2ATTD10R0F
U10A	IC, OP-AMP, dual, audio, 5V-36V, 2.7nV noise, SOIC-8 case, LM4562MA	National LM4562MA/NOPB
U10B	IC, OP-AMP, dual, audio, 5V-36V, 2.7nV noise, SOIC-8 case, LM4562MA	National LM4562MA/NOPB
U10C	IC, OP-AMP, dual, audio, 5V-36V, 2.7nV noise, SOIC-8 case, LM4562MA	National LM4562MA/NOPB
U11A	IC, OP-AMP, dual, audio, 5V-36V, 2.7nV noise, SOIC-8 case, LM4562MA	National LM4562MA/NOPB
U11B	IC, OP-AMP, dual, audio, 5V-36V, 2.7nV noise, SOIC-8 case, LM4562MA	National LM4562MA/NOPB
U11C	IC, OP-AMP, dual, audio, 5V-36V, 2.7nV noise, SOIC-8 case, LM4562MA	National LM4562MA/NOPB
U50A	IC, OP-AMP, dual, audio, 5V-36V, 2.7nV noise, SOIC-8 case, LM4562MA	National LM4562MA/NOPB
U50B	IC, OP-AMP, dual, audio, 5V-36V, 2.7nV noise, SOIC-8 case, LM4562MA	National LM4562MA/NOPB
U50C	IC, OP-AMP, dual, audio, 5V-36V, 2.7nV noise, SOIC-8 case, LM4562MA	National LM4562MA/NOPB
U51A	IC, OP-AMP, dual, audio, 5V-36V, 2.7nV noise, SOIC-8 case, LM4562MA	National LM4562MA/NOPB
U51B	IC, OP-AMP, dual, audio, 5V-36V, 2.7nV noise, SOIC-8 case, LM4562MA	National LM4562MA/NOPB
U51C	IC, OP-AMP, dual, audio, 5V-36V, 2.7nV noise, SOIC-8 case, LM4562MA	National LM4562MA/NOPB
U201	IC, 6 channel, 24bit, 192KHz audio ADC, CS5366	Cirrus Logic CS5366-CQZ
U306	IC, Positive voltage regulator, 9V, 0.5A, D-PACK3, MC78M09CDT	Fairchild MC78M09CDT
U307	IC, voltage regulator, 5V, 5%, 0.5A, 35V in, D-PAK case, MC78M05CDT	Motorola MC78M05CDT
U308	IC, voltage regulator, LDO, low noise, 3.3V, 4%, 0.15A, 16V in, SOT-23-5 case, LP2985IM5-3.3	National LP2985IM5-3.3/NOPB

PARTS LIST (Cont'd.)

7 DIGITAL INPUT PCB 320351 (IO17) (Cont'd.)

Ref. No.	Description	AVL
C1	Capacitor, TH, 5mm pinspacing, radial, 7.2x6.5x2.5mm, PET, metalized, 100nF, 63V, 20%	Wima MKS2 100n 20% 63V
J2	Connector, RCA, female, PCB, TH, angled, 2x2-way, 14x14mm spacing, gold, upper black-black, lower black-black, separate grounds	Jalco YKC21-3385
X2	Connector, pinrow, straight, 2.54mm pitch, 0.64mm sq pin, PCB, TH, male, 5.84mm head, 3.05mm tail, tin, 2x10-way	Sullins PTC10DAAN
J3	Connector, XLR, 3-way, female, PCB, TH, angled, NC3FBH2	Neutric NC3FBH2

8 DISPLAY PCB 320359 (SP04)

Ref. No.	Description	AVL
C1	Capacitor, SMD 5.3x5.4mm, AL, 2000hrs, 85C, 100uF, 6.3V, 20%	Nichicon UWR0J101MCL1GB
C2	Capacitor, SMD 5.3x5.4mm, AL, 2000hrs, 85C, 100uF, 6.3V, 20%	Nichicon UWR0J101MCL1GB
C4	Capacitor, SMD 5.3x5.4mm, AL, 2000hrs, 85C, 100uF, 6.3V, 20%	Nichicon UWR0J101MCL1GB
C5	Capacitor, SMD 5.3x5.4mm, AL, 2000hrs, 85C, 100uF, 6.3V, 20%	Nichicon UWR0J101MCL1GB
C6	Capacitor, SMD 5.3x5.4mm, AL, 2000hrs, 85C, 100uF, 6.3V, 20%	Nichicon UWR0J101MCL1GB
C7	Capacitor, SMD0603, X7R, 100nF, 25V, 20%	AVX 06033C104MAT2A
C50	Capacitor, SMD1206, X7R, 1uF, 16V, 10%	AVX 1206YC105KAT2A
C51	Capacitor, SMD0603, X7R, 100nF, 25V, 20%	AVX 06033C104MAT2A
C52	Capacitor, SMD0603, X7R, 100nF, 25V, 20%	AVX 06033C104MAT2A
C53	Capacitor, SMD0603, X7R, 100nF, 25V, 20%	AVX 06033C104MAT2A
C54	Capacitor, SMD0603, X7R, 100nF, 25V, 20%	AVX 06033C104MAT2A
C56	Capacitor, SMD1206, X7R, 1uF, 16V, 10%	AVX 1206YC105KAT2A
C57	Capacitor, SMD1206, X7R, 1uF, 16V, 10%	AVX 1206YC105KAT2A
C58	Capacitor, SMD1206, X7R, 1uF, 16V, 10%	AVX 1206YC105KAT2A
C59	Capacitor, SMD1206, X7R, 1uF, 16V, 10%	AVX 1206YC105KAT2A
C60	Capacitor, SMD1206, X7R, 1uF, 16V, 10%	AVX 1206YC105KAT2A
C61	Capacitor, SMD1206, X7R, 1uF, 16V, 10%	AVX 1206YC105KAT2A
C86	Capacitor, SMD0603, NP0, 47pF, 50V, 10%	AVX 06035A470KAT2A
C55	Capacitor, SMD0603, X7R, 100nF, 25V, 20%	AVX 06033C104MAT2A
C62	Capacitor, SMD0603, X7R, 100nF, 25V, 20%	AVX 06033C104MAT2A
C63	Capacitor, SMD0603, X7R, 100nF, 25V, 20%	AVX 06033C104MAT2A
C64	Capacitor, SMD1206, X7R, 1uF, 16V, 10%	AVX 1206YC105KAT2A
C65	Capacitor, SMD1206, X7R, 1uF, 16V, 10%	AVX 1206YC105KAT2A
C66	Capacitor, SMD0603, X7R, 100nF, 25V, 20%	AVX 06033C104MAT2A
C67	Capacitor, SMD0603, X7R, 100nF, 25V, 20%	AVX 06033C104MAT2A
C68	Capacitor, SMD1206, X7R, 1uF, 16V, 10%	AVX 1206YC105KAT2A
C69	Capacitor, SMD1206, X7R, 1uF, 16V, 10%	AVX 1206YC105KAT2A
C70	Capacitor, SMD0603, X7R, 100nF, 25V, 20%	AVX 06033C104MAT2A
C71	Capacitor, SMD0603, X7R, 100nF, 25V, 20%	AVX 06033C104MAT2A
C72	Capacitor, SMD1206, X7R, 1uF, 16V, 10%	AVX 1206YC105KAT2A
C73	Capacitor, SMD1206, X7R, 1uF, 16V, 10%	AVX 1206YC105KAT2A
C74	Capacitor, SMD1206, X7R, 1uF, 16V, 10%	AVX 1206YC105KAT2A
C75	Capacitor, SMD1206, X7R, 1uF, 16V, 10%	AVX 1206YC105KAT2A
C76	Capacitor, SMD1206, X7R, 1uF, 16V, 10%	AVX 1206YC105KAT2A
C77	Capacitor, SMD0603, X7R, 100nF, 25V, 20%	AVX 06033C104MAT2A
C78	Capacitor, SMD1206, X7R, 1uF, 16V, 10%	AVX 1206YC105KAT2A
C79	Capacitor, SMD0603, X7R, 100nF, 25V, 20%	AVX 06033C104MAT2A
C80	Capacitor, SMD0603, X7R, 100nF, 25V, 20%	AVX 06033C104MAT2A
C81	Capacitor, SMD0603, X7R, 100nF, 25V, 20%	AVX 06033C104MAT2A
C82	Capacitor, SMD0603, X7R, 100nF, 25V, 20%	AVX 06033C104MAT2A
C83	Capacitor, SMD0603, X7R, 100nF, 25V, 20%	AVX 06033C104MAT2A
C84	Capacitor, SMD0603, X7R, 100nF, 25V, 20%	AVX 06033C104MAT2A
C87	Capacitor, SMD0603, X7R, 100nF, 25V, 20%	AVX 06033C104MAT2A
C88	Capacitor, SMD0603, X7R, 100nF, 25V, 20%	AVX 06033C104MAT2A
C89	Capacitor, SMD0603, X7R, 100nF, 25V, 20%	AVX 06033C104MAT2A
C90	Capacitor, SMD0603, X7R, 100nF, 25V, 20%	AVX 06033C104MAT2A
C91	Capacitor, SMD0603, X7R, 100nF, 25V, 20%	AVX 06033C104MAT2A
C92	Capacitor, SMD0603, X7R, 100nF, 25V, 20%	AVX 06033C104MAT2A
C93	Capacitor, SMD0603, X7R, 100nF, 25V, 20%	AVX 06033C104MAT2A
C94	Capacitor, SMD1206, X7R, 1uF, 16V, 10%	AVX 1206YC105KAT2A
C95	Capacitor, SMD1206, X7R, 1uF, 16V, 10%	AVX 1206YC105KAT2A
C96	Capacitor, SMD1206, X7R, 1uF, 16V, 10%	AVX 1206YC105KAT2A
C97	Capacitor, SMD1206, X7R, 1uF, 16V, 10%	AVX 1206YC105KAT2A
C98	Capacitor, SMD1206, X7R, 1uF, 16V, 10%	AVX 1206YC105KAT2A
C99	Capacitor, SMD1206, X7R, 1uF, 16V, 10%	AVX 1206YC105KAT2A
C201	Capacitor, SMD 5.3x5.4mm, AL, 2000hrs, 85C, 100uF, 6.3V, 20%	Nichicon UWR0J101MCL1GB
C252	Capacitor, SMD0603, NP0, 22pF, 50V, 10%	AVX 06035A220KAT2A
C253	Capacitor, SMD0603, NP0, 22pF, 50V, 10%	AVX 06035A220KAT2A
C254	Capacitor, SMD0603, NP0, 22pF, 50V, 10%	AVX 06035A220KAT2A
C255	Capacitor, SMD0603, NP0, 22pF, 50V, 10%	AVX 06035A220KAT2A
C256	Capacitor, SMD0603, NP0, 22pF, 50V, 10%	AVX 06035A220KAT2A
C257	Capacitor, SMD0603, NP0, 22pF, 50V, 10%	AVX 06035A220KAT2A
C258	Capacitor, SMD0603, NP0, 22pF, 50V, 10%	AVX 06035A220KAT2A
C259	Capacitor, SMD0603, NP0, 22pF, 50V, 10%	AVX 06035A220KAT2A
C260	Capacitor, SMD0603, NP0, 22pF, 50V, 10%	AVX 06035A220KAT2A

PARTS LIST (Cont'd.)

8 DISPLAY PCB 320359 (SP04) (Cont'd.)

Ref. No.	Description	AVL
C336	Capacitor, SMD0603, X7R, 100nF, 25V, 20%	AVX 06033C104MAT2A
C337	Capacitor, SMD0603, X7R, 100nF, 25V, 20%	AVX 06033C104MAT2A
C338	Capacitor, SMD0603, X7R, 100nF, 25V, 20%	AVX 06033C104MAT2A
C339	Capacitor, SMD0603, X7R, 100nF, 25V, 20%	AVX 06033C104MAT2A
C340	Capacitor, SMD0603, X7R, 100nF, 25V, 20%	AVX 06033C104MAT2A
C341	Capacitor, SMD1206, X7R, 1uF, 16V, 10%	AVX 1206YC105KAT2A
C342	Capacitor, SMD1206, X7R, 1uF, 16V, 10%	AVX 1206YC105KAT2A
C343	Capacitor, SMD1206, X7R, 1uF, 16V, 10%	AVX 1206YC105KAT2A
C344	Capacitor, SMD1206, X7R, 1uF, 16V, 10%	AVX 1206YC105KAT2A
C345	Capacitor, SMD1206, X7R, 1uF, 16V, 10%	AVX 1206YC105KAT2A
C346	Capacitor, SMD1206, X7R, 1uF, 16V, 10%	AVX 1206YC105KAT2A
C347	Capacitor, SMD1206, X7R, 1uF, 16V, 10%	AVX 1206YC105KAT2A
C348	Capacitor, SMD1206, X7R, 1uF, 16V, 10%	AVX 1206YC105KAT2A
C349	Capacitor, SMD 5.3x5.4mm, AL, 2000hrs, 85C, 100uF, 6.3V, 20%	Nichicon UWR0J101MCL1GB
C350	Capacitor, SMD0603, X7R, 100nF, 25V, 20%	AVX 06033C104MAT2A
C352	Capacitor, SMD 5.3x5.4mm, AL, 2000hrs, 85C, 100uF, 6.3V, 20%	Nichicon UWR0J101MCL1GB
C353	Capacitor, SMD 5.3x5.4mm, AL, 2000hrs, 85C, 100uF, 6.3V, 20%	Nichicon UWR0J101MCL1GB
C354	Capacitor, SMD0603, NP0, 47pF, 50V, 10%	AVX 06035A470KAT2A
C356	Capacitor, SMD0603, X7R, 100nF, 25V, 20%	AVX 06033C104MAT2A
C357	Capacitor, SMD0603, X7R, 100nF, 25V, 20%	AVX 06033C104MAT2A
J201	Connector, pinrow, straight, 2.54mm pitch, 0.64mm sq pin, PCB, TH,male, 5.84mm head, 3.05mm tail, tin, 2x5-way	AMP 146256-5
J1	Connector, pinrow, straight, 2.54mm pitch, 0.64mm sq pin, PCB, TH,male, 5.84mm head, 3.05mm tail, tin, 2x2-way	Sullins PTC02DAAN
J101	Connector, box, no latches, TH, DIL 100mil, 40-way, male, angled, gold	Tyco 1-1761604-3
J301	Connector, pinrow, straight, 2.54mm pitch, 0.64mm sq pin, PCB, TH,male, 5.84mm head, 3.05mm tail, tin, 2x2-way	Sullins PTC02DAAN
L1	Inductor, ferrite bead, SMD0603, 220R @ 100MHz, 25%, 2.5A, 0.04R	Murata BLM18SG221TN1
L301	Inductor, ferrite bead, SMD0603, 220R @ 100MHz, 25%, 2.5A, 0.04R	Murata BLM18SG221TN1
R1	Resistor, thickfilm, quad, SMD0805, convex terminals, 0.063W, 50V, 200ppm, 33R, 5%	Farnell 9235272
R3	Resistor, thickfilm, SMD0603, 1A, 0R	Phycomp 2322 702 96001L
R4	Resistor, thickfilm, SMD0603, 1A, 0R	Phycomp 2322 702 96001L
R5	Resistor, thickfilm, quad, SMD0805, convex terminals, 0.063W, 50V, 200ppm, 33R, 5%	Farnell 9235272
R6	Resistor, thickfilm, SMD0603, 1A, 0R	Phycomp 2322 702 96001L
R7	Resistor, thickfilm, SMD0603, 1A, 0R	Phycomp 2322 702 96001L
R8	Resistor, thickfilm, quad, SMD0805, convex terminals, 0.063W, 50V, 200ppm, 33R, 5%	Farnell 9235272
R9	Resistor, thickfilm, quad, SMD0805, convex terminals, 0.063W, 50V, 200ppm, 33R, 5%	Farnell 9235272
R10	Resistor, thickfilm, quad, SMD0805, convex terminals, 0.063W, 50V, 200ppm, 33R, 5%	Farnell 9235272
R11	Resistor, thickfilm, quad, SMD0805, convex terminals, 0.063W, 50V, 200ppm, 33R, 5%	Farnell 9235272
R12	Resistor, thickfilm, quad, SMD0805, convex terminals, 0.063W, 50V, 200ppm, 33R, 5%	Farnell 9235272
R13	Resistor, thickfilm, quad, SMD0805, convex terminals, 0.063W, 50V, 200ppm, 33R, 5%	Farnell 9235272
R14	Resistor, thickfilm, quad, SMD0805, convex terminals, 0.063W, 50V, 200ppm, 33R, 5%	Farnell 9235272
R15	Resistor, thickfilm, quad, SMD0805, convex terminals, 0.063W, 50V, 200ppm, 33R, 5%	Farnell 9235272
R16	Resistor, thickfilm, quad, SMD0805, convex terminals, 0.063W, 50V, 200ppm, 33R, 5%	Farnell 9235272
R17	Resistor, thickfilm, quad, SMD0805, convex terminals, 0.063W, 50V, 200ppm, 33R, 5%	Farnell 9235272
R18	Resistor, thickfilm, quad, SMD0805, convex terminals, 0.063W, 50V, 200ppm, 33R, 5%	Farnell 9235272
R19	Resistor, thickfilm, quad, SMD0805, convex terminals, 0.063W, 50V, 200ppm, 33R, 5%	Farnell 9235272
R20	Resistor, thickfilm, quad, SMD0805, convex terminals, 0.063W, 50V, 200ppm, 33R, 5%	Farnell 9235272
R60	Resistor, thickfilm, quad, SMD0805, convex terminals, 0.063W, 25V, 200ppm, 4.7K, 5%	Farnell 9235400
R22	Resistor, thinfilm, SMD0603, 0.063W, 50V, 100ppm, 5.11K, 1%	Venkel TFCR0603-16W-K-
5111FT		
R26	Resistor, thickfilm, quad, SMD0805, convex terminals, 0.063W, 50V, 200ppm, 33R, 5%	Farnell 9235272
R27	Resistor, thickfilm, SMD0603, 1A, 0R	Phycomp 2322 702 96001L
R28	Resistor, thickfilm, SMD0603, 1A, 0R	Phycomp 2322 702 96001L
R29	Resistor, thickfilm, SMD0603, 1A, 0R	Phycomp 2322 702 96001L
R30	Resistor, thickfilm, SMD0603, 0.1W, 50V, 100ppm, 3.30K, 1%	Koa Speer RK73H1JTTD3301F
R31	Resistor, thickfilm, SMD0603, 0.1W, 50V, 100ppm, 3.30K, 1%	Koa Speer RK73H1JTTD3301F
R32	Resistor, thickfilm, SMD0603, 1A, 0R	Phycomp 2322 702 96001L
R51	Resistor, thickfilm, SMD0603, 0.1W, 50V, 100ppm, 3.30K, 1%	Koa Speer RK73H1JTTD3301F
R52	Resistor, thickfilm, SMD0603, 0.1W, 50V, 100ppm, 3.30K, 1%	Koa Speer RK73H1JTTD3301F
R53	Resistor, thickfilm, SMD0603, 0.1W, 50V, 100ppm, 3.30K, 1%	Koa Speer RK73H1JTTD3301F
R54	Resistor, thickfilm, SMD0603, 0.1W, 50V, 100ppm, 3.30K, 1%	Koa Speer RK73H1JTTD3301F
R55	Resistor, thickfilm, SMD0603, 0.1W, 50V, 100ppm, 3.30K, 1%	Koa Speer RK73H1JTTD3301F
R56	Resistor, thickfilm, SMD0603, 0.1W, 50V, 100ppm, 3.30K, 1%	Koa Speer RK73H1JTTD3301F
R57	Resistor, thickfilm, SMD0603, 0.1W, 50V, 100ppm, 3.30K, 1%	Koa Speer RK73H1JTTD3301F
R58	Resistor, thickfilm, SMD0603, 0.1W, 50V, 100ppm, 3.30K, 1%	Koa Speer RK73H1JTTD3301F
R61	Resistor, thickfilm, SMD0603, 1A, 0R	Phycomp 2322 702 96001L
R62	Resistor, thickfilm, SMD0603, 0.1W, 50V, 100ppm, 2.20K, 1%	Koa Speer RK73H1JTTD2201F
R63	Resistor, thickfilm, SMD0603, 0.1W, 50V, 100ppm, 2.20K, 1%	Koa Speer RK73H1JTTD2201F
R64	Resistor, thickfilm, SMD0603, 1A, 0R	Phycomp 2322 702 96001L
R65	Resistor, thickfilm, SMD0603, 1A, 0R	Phycomp 2322 702 96001L
R67	Resistor, thickfilm, SMD0603, 1A, 0R	Phycomp 2322 702 96001L
R68	Resistor, thickfilm, SMD0603, 1A, 0R	Phycomp 2322 702 96001L
R69	Resistor, thickfilm, SMD0603, 0.1W, 50V, 100ppm, 3.30K, 1%	Koa Speer RK73H1JTTD3301F
R201	Resistor, thickfilm, SMD0603, 0.1W, 50V, 100ppm, 4.70K, 1%	Phycomp 2322 704 64702L

PARTS LIST (Cont'd.)

8 DISPLAY PCB 320359 (SP04) (Cont'd.)

Ref. No.	Description	AVL
R357	Resistor, thickfilm, SMD0603, 0.1W, 50V, 100ppm, 3.30K, 1%	Koa Speer RK73H1JTDD3301F
R358	Resistor, thickfilm, SMD0603, 0.1W, 50V, 100ppm, 3.30K, 1%	Koa Speer RK73H1JTDD3301F
R361	Resistor, thickfilm, SMD0603, 1A, 0R	Phycomp 2322 702 96001L
R362	Resistor, thickfilm, SMD0603, 0.1W, 50V, 100ppm, 2.20K, 1%	Koa Speer RK73H1JTDD2201F
R363	Resistor, thickfilm, SMD0603, 0.1W, 50V, 100ppm, 2.20K, 1%	Koa Speer RK73H1JTDD2201F
R364	Resistor, thickfilm, SMD0603, 1A, 0R	Phycomp 2322 702 96001L
R365	Resistor, thickfilm, SMD0603, 1A, 0R	Phycomp 2322 702 96001L
R367	Resistor, thickfilm, SMD0603, 1A, 0R	Phycomp 2322 702 96001L
R368	Resistor, thickfilm, SMD0603, 1A, 0R	Phycomp 2322 702 96001L
R369	Resistor, thickfilm, SMD0603, 0.1W, 50V, 100ppm, 3.30K, 1%	Koa Speer RK73H1JTDD3301F
U1	IC, DSP, Cirrus Logic, CS497004-CQZ, Audio decoder DSP	Cirrus Logic CS497004-CQZ
U2	IC, SDRAM, 64Mbit, 16bit data interface, 166MHz, 3.3V, TSOP 56 case.	ISSI ISSI IS42S16400B-6TL
U3	IC, Flash, 8Mb, 2.7V-3.6V, 50MHz, SPI, SOIC-8 wide case, SST25VF080B-50-4C-S2AF	SST SST25VF080B-50-4C-S2AF
U201	IC, Altera MAXII series EPLD, 570LE, 76I/O, 100pin TQFP case, EPM570T100C3	Altera EPM570T100C3
U301	IC, Flash, 8Mb, 2.7V-3.6V, 50MHz, SPI, SOIC-8 wide case, SST25VF080B-50-4C-S2AF	SST SST25VF080B-50-4C-S2AF
U302	IC, SDRAM, 64Mbit, 16bit data interface, 166MHz, 3.3V, TSOP 56 case.	ISSI ISSI IS42S16400B-6TL
U303	IC, DSP, Cirrus Logic, CS49DV8-CQZ, Audio volume DSP	Cirrus Logic CS49DV8-CQZ

9 8 CHANNEL RP PCB 320360 (SP05)

Ref. No.	Description	AVL
C202	Capacitor, SMD0603, X7R, 100nF, 25V, 20%	AVX 06033C104MAT2A
C203	Capacitor, SMD 5.3x5.4mm, AL, 2000hrs, 85C, 100uF, 6.3V, 20%	Nichicon UWR0J101MCL1GB
C506	Capacitor, SMD 5.3x6.0mm, OSCON, 2000hrs, 105C, 68uF, 4V, 60mR, 1.4A, 20%	Sanyo 4SVP68M
C204	Capacitor, SMD0603, X7R, 100nF, 25V, 20%	AVX 06033C104MAT2A
C205	Capacitor, SMD0603, X7R, 100nF, 25V, 20%	AVX 06033C104MAT2A
C207	Capacitor, SMD0603, NP0, 18pF, 50V, 10%	AVX 06035A180KAT2A
C208	Capacitor, SMD0603, NP0, 18pF, 50V, 10%	AVX 06035A180KAT2A
C209	Capacitor, SMD0603, X7R, 100nF, 25V, 20%	AVX 06033C104MAT2A
C210	Capacitor, SMD 5.3x5.4mm, AL, 2000hrs, 85C, 100uF, 6.3V, 20%	Nichicon UWR0J101MCL1GB
C211	Capacitor, SMD 5.3x5.4mm, AL, 2000hrs, 85C, 100uF, 6.3V, 20%	Nichicon UWR0J101MCL1GB
C212	Capacitor, SMD0603, X7R, 100nF, 25V, 20%	AVX 06033C104MAT2A
C213	Capacitor, SMD0603, X7R, 100nF, 25V, 20%	AVX 06033C104MAT2A
C214	Capacitor, SMD0603, X7R, 100nF, 25V, 20%	AVX 06033C104MAT2A
C215	Capacitor, SMD0603, X7R, 100nF, 25V, 20%	AVX 06033C104MAT2A
C216	Capacitor, SMD0603, X7R, 100nF, 25V, 20%	AVX 06033C104MAT2A
C217	Capacitor, SMD0603, X7R, 100nF, 25V, 20%	AVX 06033C104MAT2A
C218	Capacitor, SMD0603, X7R, 100nF, 25V, 20%	AVX 06033C104MAT2A
C219	Capacitor, SMD0603, X7R, 100nF, 25V, 20%	AVX 06033C104MAT2A
C220	Capacitor, SMD0603, X7R, 100nF, 25V, 20%	AVX 06033C104MAT2A
C301	Capacitor, SMD0603, NP0, 22pF, 50V, 10%	AVX 06035A220KAT2A
C302	Capacitor, SMD0603, X7R, 100nF, 25V, 20%	AVX 06033C104MAT2A
C303	Capacitor, SMD1206, X7R, 10uF, 10V, 20%	AVX 1206ZC106MAT2A
C304	Capacitor, SMD0603, X7R, 100nF, 25V, 20%	AVX 06033C104MAT2A
C305	Capacitor, SMD0603, X7R, 100nF, 25V, 20%	AVX 06033C104MAT2A
C306	Capacitor, SMD0603, X7R, 100nF, 25V, 20%	AVX 06033C104MAT2A
C307	Capacitor, SMD1206, X7R, 10uF, 10V, 20%	AVX 1206ZC106MAT2A
C308	Capacitor, SMD0603, X7R, 100nF, 25V, 20%	AVX 06033C104MAT2A
C309	Capacitor, SMD0603, X7R, 100nF, 25V, 20%	AVX 06033C104MAT2A
C310	Capacitor, SMD1206, X7R, 10uF, 10V, 20%	AVX 1206ZC106MAT2A
C311	Capacitor, SMD0603, NP0, 1nF, 50V, 5%	AVX 06035A102JAT2A
C312	Capacitor, SMD0603, NP0, 390pF, 50V, 5%	AVX 06035A391JAT2A
C313	Capacitor, SMD0603, NP0, 390pF, 50V, 5%	AVX 06035A391JAT2A
C314	Capacitor, TH 10x25mm radial, AL, 4000hrs, 105C, 820uF, 25V, 18mR, 2.47A, 20%	Panasonic EEUFM1E821L
C315	Capacitor, SMD0603, X7R, 100nF, 25V, 20%	AVX 06033C104MAT2A
C316	Capacitor, TH 10x25mm radial, AL, 4000hrs, 105C, 820uF, 25V, 18mR, 2.47A, 20%	Panasonic EEUFM1E821L
C317	Capacitor, SMD0603, X7R, 100nF, 25V, 20%	AVX 06033C104MAT2A
C318	Capacitor, TH 10x25mm radial, AL, 4000hrs, 105C, 820uF, 25V, 18mR, 2.47A, 20%	Panasonic EEUFM1E821L
C319	Capacitor, SMD0603, X7R, 100nF, 25V, 20%	AVX 06033C104MAT2A
C501	Capacitor, SMD 5.3x5.4mm, AL, 2000hrs, 85C, 100uF, 6.3V, 20%	Nichicon UWR0J101MCL1GB
C502	Capacitor, SMD 5.3x5.4mm, AL, 2000hrs, 85C, 100uF, 6.3V, 20%	Nichicon UWR0J101MCL1GB
C503	Capacitor, SMD0603, X7R, 100nF, 25V, 20%	AVX 06033C104MAT2A
C504	Capacitor, SMD0603, X7R, 100nF, 25V, 20%	AVX 06033C104MAT2A
C507	Capacitor, SMD0603, X7R, 100nF, 25V, 20%	AVX 06033C104MAT2A
C514	Capacitor, SMD 5.3x5.4mm, AL, 2000hrs, 85C, 100uF, 6.3V, 20%	Nichicon UWR0J101MCL1GB
C515	Capacitor, SMD 5.3x5.4mm, AL, 2000hrs, 85C, 100uF, 6.3V, 20%	Nichicon UWR0J101MCL1GB
C516	Capacitor, SMD0603, X7R, 100nF, 25V, 20%	AVX 06033C104MAT2A
C517	Capacitor, SMD0603, X7R, 100nF, 25V, 20%	AVX 06033C104MAT2A
C518	Capacitor, SMD0603, X7R, 100nF, 25V, 20%	AVX 06033C104MAT2A
C519	Capacitor, SMD0603, X7R, 100nF, 25V, 20%	AVX 06033C104MAT2A
C520	Capacitor, SMD0603, X7R, 100nF, 25V, 20%	AVX 06033C104MAT2A
C521	Capacitor, SMD 5.3x5.4mm, AL, 2000hrs, 85C, 100uF, 6.3V, 20%	Nichicon UWR0J101MCL1GB

PARTS LIST (Cont'd.)

8 CHANNEL RP PCB 320360 (SP05) (Cont'd.)

Ref. No.	Description	AVL
C522	Capacitor, SMD0603, X7R, 100nF, 25V, 20%	AVX 06033C104MAT2A
C523	Capacitor, SMD0603, X7R, 100nF, 25V, 20%	AVX 06033C104MAT2A
C524	Capacitor, SMD0603, X7R, 100nF, 25V, 20%	AVX 06033C104MAT2A
C525	Capacitor, SMD 5.3x5.4mm, AL, 2000hrs, 85C, 100uF, 6.3V, 20%	Nichicon UWR0J101MCL1GB
C526	Capacitor, SMD0603, X7R, 100nF, 25V, 20%	AVX 06033C104MAT2A
C527	Capacitor, SMD0603, X7R, 100nF, 25V, 20%	AVX 06033C104MAT2A
C528	Capacitor, SMD0603, X7R, 100nF, 25V, 20%	AVX 06033C104MAT2A
C529	Capacitor, SMD0603, X7R, 100nF, 25V, 20%	AVX 06033C104MAT2A
C530	Capacitor, SMD 5.3x5.4mm, AL, 2000hrs, 85C, 100uF, 6.3V, 20%	Nichicon UWR0J101MCL1GB
C531	Capacitor, SMD 5.3x5.4mm, AL, 2000hrs, 85C, 100uF, 6.3V, 20%	Nichicon UWR0J101MCL1GB
C601	Capacitor, SMD0603, NP0, 22pF, 50V, 10%	AVX 06035A220KAT2A
C602	Capacitor, SMD0603, NP0, 22pF, 50V, 10%	AVX 06035A220KAT2A
C603	Capacitor, SMD0603, NP0, 22pF, 50V, 10%	AVX 06035A220KAT2A
C604	Capacitor, SMD0603, NP0, 22pF, 50V, 10%	AVX 06035A220KAT2A
C605	Capacitor, SMD0603, NP0, 22pF, 50V, 10%	AVX 06035A220KAT2A
C606	Capacitor, SMD0603, NP0, 22pF, 50V, 10%	AVX 06035A220KAT2A
C607	Capacitor, SMD0603, NP0, 22pF, 50V, 10%	AVX 06035A220KAT2A
C802	Capacitor, SMD0603, X7R, 100nF, 25V, 20%	AVX 06033C104MAT2A
C803	Capacitor, SMD 5.3x5.4mm, AL, 2000hrs, 85C, 100uF, 6.3V, 20%	Nichicon UWR0J101MCL1GB
C804	Capacitor, SMD0603, X7R, 100nF, 25V, 20%	AVX 06033C104MAT2A
C805	Capacitor, SMD0603, X7R, 100nF, 25V, 20%	AVX 06033C104MAT2A
C806	Capacitor, SMD0603, X7R, 100nF, 25V, 20%	AVX 06033C104MAT2A
C807	Capacitor, SMD0603, X7R, 100nF, 25V, 20%	AVX 06033C104MAT2A
C808	Capacitor, SMD0603, X7R, 100nF, 25V, 20%	AVX 06033C104MAT2A
C809	Capacitor, SMD0603, X7R, 100nF, 25V, 20%	AVX 06033C104MAT2A
C810	Capacitor, SMD0603, X7R, 100nF, 25V, 20%	AVX 06033C104MAT2A
C951	Capacitor, SMD0603, X7R, 220nF, 16V, 10%	Phycomp 2238 786 15654
C952	Capacitor, SMD0603, X7R, 100nF, 25V, 20%	AVX 06033C104MAT2A
C953	Capacitor, SMD0603, X7R, 220nF, 16V, 10%	Phycomp 2238 786 15654
C954	Capacitor, SMD0603, X7R, 100nF, 25V, 20%	AVX 06033C104MAT2A
C955	Capacitor, SMD1206, X7R, 10uF, 10V, 20%	AVX 1206ZC106MAT2A
C956	Capacitor, SMD0603, X7R, 100nF, 25V, 20%	AVX 06033C104MAT2A
C957	Capacitor, SMD0603, X7R, 220nF, 16V, 10%	Phycomp 2238 786 15654
C958	Capacitor, SMD1206, X7R, 10uF, 10V, 20%	AVX 1206ZC106MAT2A
C959	Capacitor, SMD0603, X7R, 220nF, 16V, 10%	Phycomp 2238 786 15654
C960	Capacitor, SMD0603, X7R, 100nF, 25V, 20%	AVX 06033C104MAT2A
C961	Capacitor, SMD0603, X7R, 220nF, 16V, 10%	Phycomp 2238 786 15654
C962	Capacitor, SMD0603, X7R, 100nF, 25V, 20%	AVX 06033C104MAT2A
C963	Capacitor, SMD1206, X7R, 10uF, 10V, 20%	AVX 1206ZC106MAT2A
C964	Capacitor, SMD0603, X7R, 220nF, 16V, 10%	Phycomp 2238 786 15654
C965	Capacitor, SMD0603, X7R, 100nF, 25V, 20%	AVX 06033C104MAT2A
C966	Capacitor, SMD0603, X7R, 220nF, 16V, 10%	Phycomp 2238 786 15654
C967	Capacitor, SMD0603, X7R, 100nF, 25V, 20%	AVX 06033C104MAT2A
C968	Capacitor, SMD0603, X7R, 220nF, 16V, 10%	Phycomp 2238 786 15654
C969	Capacitor, SMD1206, X7R, 10uF, 10V, 20%	AVX 1206ZC106MAT2A
C970	Capacitor, SMD0603, X7R, 100nF, 25V, 20%	AVX 06033C104MAT2A
C971	Capacitor, SMD0603, X7R, 100nF, 25V, 20%	AVX 06033C104MAT2A
C972	Capacitor, SMD0603, NP0, 1nF, 50V, 5%	AVX 06035A102JAT2A
C973	Capacitor, SMD0603, X7R, 220nF, 16V, 10%	Phycomp 2238 786 15654
C974	Capacitor, SMD0603, X7R, 100nF, 25V, 20%	AVX 06033C104MAT2A
C975	Capacitor, SMD0603, X7R, 220nF, 16V, 10%	Phycomp 2238 786 15654
C976	Capacitor, SMD0603, X7R, 100nF, 25V, 20%	AVX 06033C104MAT2A
C977	Capacitor, SMD1206, X7R, 10uF, 10V, 20%	AVX 1206ZC106MAT2A
C978	Capacitor, SMD0603, X7R, 100nF, 25V, 20%	AVX 06033C104MAT2A
C979	Capacitor, SMD0603, X7R, 220nF, 16V, 10%	Phycomp 2238 786 15654
C980	Capacitor, SMD1206, X7R, 10uF, 10V, 20%	AVX 1206ZC106MAT2A
C981	Capacitor, SMD0603, X7R, 220nF, 16V, 10%	Phycomp 2238 786 15654
C982	Capacitor, SMD0603, X7R, 100nF, 25V, 20%	AVX 06033C104MAT2A
C983	Capacitor, SMD0603, X7R, 220nF, 16V, 10%	Phycomp 2238 786 15654
C984	Capacitor, SMD0603, X7R, 100nF, 25V, 20%	AVX 06033C104MAT2A
C985	Capacitor, SMD1206, X7R, 10uF, 10V, 20%	AVX 1206ZC106MAT2A
C986	Capacitor, SMD0603, X7R, 220nF, 16V, 10%	Phycomp 2238 786 15654
C987	Capacitor, SMD0603, X7R, 100nF, 25V, 20%	AVX 06033C104MAT2A
C988	Capacitor, SMD0603, X7R, 220nF, 16V, 10%	Phycomp 2238 786 15654
C989	Capacitor, SMD0603, X7R, 100nF, 25V, 20%	AVX 06033C104MAT2A
C990	Capacitor, SMD0603, X7R, 220nF, 16V, 10%	Phycomp 2238 786 15654
C991	Capacitor, SMD1206, X7R, 10uF, 10V, 20%	AVX 1206ZC106MAT2A
D301	Diode, schottky, single, SMD, 30V, 0.2A, 0.35Vf/10mA, SOD-323 case, BAT54	On Semiconductor BAT54HT1G
D302	Diode, schottky, single, SMD, 30V, 0.2A, 0.35Vf/10mA, SOD-323 case, BAT54	On Semiconductor BAT54HT1G
D303	Diode, schottky, single, SMD, 30V, 0.2A, 0.35Vf/10mA, SOD-323 case, BAT54	On Semiconductor BAT54HT1G
D304	Diode, schottky, single, SMD, 40V, 1A, 0.5Vf, DO-214AC (SMA) case, SS14	General Semiconductor SS14
D305	Diode, schottky, single, SMD, 40V, 1A, 0.5Vf, DO-214AC (SMA) case, SS14	General Semiconductor SS14

PARTS LIST (Cont'd.)

8 CHANNEL RP PCB 320360 (SP05) (Cont'd.)

Ref. No.	Description	AVL
J101	Connector, box, short latches, TH, DIL 0.1, 20-way, male, straight	AMP 5499910-4
J102	Connector, TH, DIL 100mil, 26-way, female, angled, gold	3M 5126-B7A2PL
J103	Connector, DUAC., straight, 4.2mm pitch, PCB, TH, male, tin, 2x05-way	AMP 1-1586495-0
J104	Connector, TH, DIL 100mil, 26-way, female, angled, gold	3M 5126-B7A2PL
J105	Connector, pinrow, straight, 2.54mm pitch, 0.64mm sq pin, PCB, TH, male, 5.84mm head, 3.05mm tail, tin, 2x5-way	AMP 146256-5
J106	Connector, AMP Micro Match, Ribbon SMD, male, 2x05	AMP AMP 1-188275-0
J107	Connector, TH, DIL 100mil, 26-way, female, angled, gold	3M 5126-B7A2PL
J108	Connector, pinrow, straight, 2.54mm pitch, 0.64mm sq pin, PCB, TH, male, 5.84mm head, 3.05mm tail, gold, 1x8-way	Sullins PBC08SAAN
J109	Connector, pinrow, straight, 2.54mm pitch, 0.64mm sq pin, PCB, TH, male, 5.84mm head, 3.05mm tail, gold, 1x8-way	Sullins PBC08SAAN
J110	Connector, pinrow, straight, 2.54mm pitch, 0.64mm sq pin, PCB, TH, male, 5.84mm head, 3.05mm tail, gold, 1x8-way	Sullins PBC08SAAN
J111	Connector, pinrow, straight, 2.54mm pitch, 0.64mm sq pin, PCB, TH, male, 5.84mm head, 3.05mm tail, gold, 1x8-way	Sullins PBC08SAAN
J201	Connector, box, no latches, TH, DIL 0.1, 26-way, male, straight	Molex Molex 39-28-5261
J202	Connector, pinrow, straight, 2.54mm pitch, 0.64mm sq pin, PCB, J203	Connector, pinrow, straight, Sullins PEC04DAAN
J401	Connector, pinrow, straight, 2.54mm pitch, 0.64mm sq pin, PCB, TH, male, 5.84mm head, 3.05mm tail, tin, 2x9-way	Sullins PEC09DAAN
J501	Connector, pinrow, straight, 2.54mm pitch, 0.64mm sq pin, PCB, J502, J503, J504	Sullins PBC03SAAN
J502	2.54mm pitch, 0.64mm sq pin, PCB, J503	Connector, pinrow, straight,
J503	2.54mm pitch, 0.64mm sq pin, PCB, J504	Connector, pinrow, straight,
J504	2.54mm pitch, 0.64mm sq pin, PCB, J505	Connector, pinrow, straight,
J505	DIL 0.1, 10-way, male, straight	Connector, box, no latches, TH, FCI 75869-101LF
L503	Inductor, ferrite, SMD2520 case, 2.7uH, 20%, 1.3A, 0.14R	Coilcraft 1008PS-272M
L301	Inductor, ferrite, SMD1812PS case, 10uH, 10%, 0.9A, 0.17R	Coilcraft 1812PS-103KLC
L302	Inductor, ferrite, SMD1812PS case, 10uH, 10%, 0.9A, 0.17R	Coilcraft 1812PS-103KLC
L303	Inductor, ferrite bead, SMD0603, 220R @ 100MHz, 25%, 2.5A, 0.04R	Murata BLM18SG221TN1
L304	Inductor, ferrite bead, SMD0603, 220R @ 100MHz, 25%, 2.5A, 0.04R	Murata BLM18SG221TN1
L305	Inductor, ferrite bead, SMD0603, 220R @ 100MHz, 25%, 2.5A, 0.04R	Murata BLM18SG221TN1
L501	Inductor, ferrite bead, SMD0603, 220R @ 100MHz, 25%, 2.5A, 0.04R	Murata BLM18SG221TN1
L502	Inductor, ferrite bead, SMD0603, 220R @ 100MHz, 25%, 2.5A, 0.04R	Murata BLM18SG221TN1
L504	Inductor, ferrite bead, SMD0603, 220R @ 100MHz, 25%, 2.5A, 0.04R	Murata BLM18SG221TN1
L505	Inductor, ferrite bead, SMD0603, 220R @ 100MHz, 25%, 2.5A, 0.04R	Murata BLM18SG221TN1
L951	Inductor, ferrite bead, SMD0603, 220R @ 100MHz, 25%, 2.5A, 0.04R	Murata BLM18SG221TN1
L952	Inductor, ferrite bead, SMD0603, 220R @ 100MHz, 25%, 2.5A, 0.04R	Murata BLM18SG221TN1
L953	Inductor, ferrite bead, SMD0603, 220R @ 100MHz, 25%, 2.5A, 0.04R	Murata BLM18SG221TN1
M501	Connector, pinrow, straight, 2.54mm pitch, 0.64mm sq pin, PCB, TH, female, gold, 8.5mm body, 2.9mm tail, 2x17-way	Tyco 6-534206-7
M501	RoomPerfect module without ADC module, mounted and tested, short pins, SP01DBC	Lyngdorf Audio SP01DBC
M502	Connector, pinrow, straight, 2.54mm pitch, 0.64mm sq pin, PCB, TH, female, gold, 8.5mm body, 2.9mm tail, 2x17-way	Tyco 6-534206-7
M502	RoomPerfect module without ADC module, mounted and tested, short pins, SP01DBC	Lyngdorf Audio SP01DBC
M503	Connector, pinrow, straight, 2.54mm pitch, 0.64mm sq pin, PCB, TH, female, gold, 8.5mm body, 2.9mm tail, 2x17-way	Tyco 6-534206-7
M503	RoomPerfect module without ADC module, mounted and tested, short pins, SP01DBC	Lyngdorf Audio SP01DBC
M504	Connector, pinrow, straight, 2.54mm pitch, 0.64mm sq pin, PCB, TH, female, gold, 8.5mm body, 2.9mm tail, 2x17-way	Tyco 6-534206-7
M504	RoomPerfect module without ADC module, mounted and tested, short pins, SP01DBC	Lyngdorf Audio SP01DBC
O301	Switch, tact, SPST, TH 7.4x7.4x4.7mm, 4 terminal, 130g operation force, silver contacts, 50V, 1VA	ITT Cannon KSA0M211 LFT
R101	Resistor, thickfilm, SMD0603, 0.1W, 50V, 100ppm, 10.0R, 1%	Phycomp 2322 704 61009L
R102	Resistor, thickfilm, SMD0603, 0.1W, 50V, 100ppm, 10.0R, 1%	Phycomp 2322 704 61009L
R103	Resistor, thickfilm, SMD0603, 0.1W, 50V, 100ppm, 10.0R, 1%	Phycomp 2322 704 61009L
R104	Resistor, thickfilm, SMD0603, 0.1W, 50V, 100ppm, 10.0R, 1%	Phycomp 2322 704 61009L
R105	Resistor, thickfilm, SMD0603, 0.1W, 50V, 100ppm, 10.0R, 1%	Phycomp 2322 704 61009L
R106	Resistor, thickfilm, SMD0603, 0.1W, 50V, 100ppm, 10.0R, 1%	Phycomp 2322 704 61009L
R107	Resistor, thickfilm, SMD0603, 0.1W, 50V, 100ppm, 10.0R, 1%	Phycomp 2322 704 61009L
R108	Resistor, thickfilm, SMD0603, 0.1W, 50V, 100ppm, 10.0R, 1%	Phycomp 2322 704 61009L
R109	Resistor, thickfilm, SMD0603, 0.1W, 50V, 100ppm, 10.0R, 1%	Phycomp 2322 704 61009L
R110	Resistor, thickfilm, SMD0603, 0.1W, 50V, 100ppm, 10.0R, 1%	Phycomp 2322 704 61009L
R111	Resistor, thickfilm, SMD0603, 0.1W, 50V, 100ppm, 10.0R, 1%	Phycomp 2322 704 61009L
R112	Resistor, thickfilm, SMD0603, 0.1W, 50V, 100ppm, 10.0R, 1%	Phycomp 2322 704 61009L
R113	Resistor, thickfilm, SMD0603, 0.1W, 50V, 100ppm, 10.0R, 1%	Phycomp 2322 704 61009L
R114	Resistor, thickfilm, SMD0603, 0.1W, 50V, 100ppm, 10.0R, 1%	Phycomp 2322 704 61009L
R115	Resistor, thickfilm, SMD0603, 0.1W, 50V, 100ppm, 10.0R, 1%	Phycomp 2322 704 61009L
R116	Resistor, thickfilm, SMD0603, 1A, 0R	Venkel CR0603-10W-000
R117	Resistor, thickfilm, SMD0603, 1A, 0R	Venkel CR0603-10W-000
R118	Resistor, thickfilm, SMD0603, 0.1W, 50V, 100ppm, 200R, 1%	Koa Speer RK73H1JTTD2000F
R119	Resistor, thickfilm, SMD0603, 0.1W, 50V, 100ppm, 200R, 1%	Koa Speer RK73H1JTTD2000F
R120	Resistor, thickfilm, SMD0603, 0.1W, 50V, 100ppm, 200R, 1%	Koa Speer RK73H1JTTD2000F
R201	Resistor, thickfilm, SMD0603, 0.1W, 50V, 100ppm, 10.0R, 1%	Phycomp 2322 704 61009L
R202	Resistor, thickfilm, SMD0603, 0.1W, 50V, 100ppm, 4.70K, 1%	Phycomp 2322 704 64702L
R205	Resistor, thickfilm, SMD0603, 0.1W, 50V, 100ppm, 4.70K, 1%	Phycomp 2322 704 64702L
R206	Resistor, thickfilm, SMD0603, 0.1W, 50V, 100ppm, 10.0R, 1%	Phycomp 2322 704 61009L
R207	Resistor, thickfilm, SMD0603, 0.1W, 50V, 100ppm, 10.0K, 1%	Phycomp 2322 704 61003L
R208	Resistor, thickfilm, SMD0603, 0.1W, 50V, 100ppm, 10.0K, 1%	Phycomp 2322 704 61003L
R209	Resistor, thickfilm, SMD0603, 0.1W, 50V, 100ppm, 10.0K, 1%	Phycomp 2322 704 61003L
R210	Resistor, thickfilm, SMD0603, 0.1W, 50V, 100ppm, 10.0K, 1%	Phycomp 2322 704 61003L
R214	Resistor, thickfilm, SMD0603, 0.1W, 50V, 100ppm, 1.00M, 1%	Koa Speer RK73H1JTTD1004F

PARTS LIST (Cont'd.)

9 8 CHANNEL RP PCB 320360 (SP05) (Cont'd.)

Ref. No.	Description	AVL
R837	Resistor, thickfilm, SMD0603, 0.1W, 50V, 400ppm, 1.00R, 1%	Koa Speer RK73H1JTTD1R00F
R901	Resistor, thickfilm, SMD0603, 0.1W, 50V, 100ppm, 4.70K, 1%	Phycomp 2322 704 64702L
S902	Connector, pinrow, str, 2.54mm pitch, 0.64mm sq pin, PCB, TH,male,boardstacking 8.7mm head, 2.9mm tail, tin,solderbearing, 6+7-way, no pin 3	Teka HC207EB467N075-A Phycomp 2322 704 61009L Phycomp 2322 704 61003L Phycomp 2322 704 61009L Phycomp 2322 704 61001L Phycomp 2322 704 61001L Venkel CRN10-4-103JT Phycomp 2322 704 61001L Phycomp 2322 704 61001L Phycomp 2322 704 64702L
R904	Resistor, thickfilm, SMD0603, 0.1W, 50V, 100ppm, 10.0R, 1%	Texas Instr. SN74LVC1G08DBVT
R905	Resistor, thickfilm, SMD0603, 0.1W, 50V, 100ppm, 10.0K, 1%	Freescale MCF5213CAF80
R906	Resistor, thickfilm, SMD0603, 0.1W, 50V, 100ppm, 10.0R, 1%	Texas Instr. SN65HVD230D
R909	Resistor, thickfilm, SMD0603, 0.1W, 50V, 100ppm, 100R, 1%	Texas Instr. TPS3801K33DCK
R907	Resistor, thickfilm, SMD0603, 0.1W, 50V, 100ppm, 100R, 1%	Leniar Tech. LT1940EFE#PBF
R908	Resistor, thickfilm, quad, SMD0805, convex terminals, 0.063W, 25V, 200ppm, 10K, 5%	Analog Devices ADSP-21368KBPZ-2A
R910	Resistor, thickfilm, SMD0603, 0.1W, 50V, 100ppm, 100R, 1%	Altera EPM570T100C3
R911	Resistor, thickfilm, SMD0603, 0.1W, 50V, 100ppm, 100R, 1%	Spansion S25FL040A0LMFI001 (LTB 10/6-09)
R913	Resistor, thickfilm, SMD0603, 0.1W, 50V, 100ppm, 4.70K, 1%	Samsung K4S281632K-UC75
U201	IC, logic, LVC series, AND, single, 1.65V-5.5V, 5V tollerant, 3.8nS, SOT23-5 case, SN74LVC1G08DBVT	Citizen HCM49-7.3728MABJ-UT
U203	IC, microcontroller, Coldfire, LQFP-100, 80MHz	CMAC CFPS-73 25.00MHz B
U204	IC, 3.3V 1 channel CANe reciever/transmitter, SO8, SN65HVD230D	BU SMD S LF
U301	IC, power supply supervisor,2.9V, 200mS delay, SOT323-5 case, TPS3801K33DCK	
U302	IC, voltage regulator, step-down, dual, 1.1MHz, adjustable, 1.5%, 1.4A, 25V in, TSSOP16 power case, LT1940EFE	
U404	IC, DSP, Shark, BGA_ED-256 case, ADSP-21368KBPZ-2A	
U501	IC, Altera MAXII series EPLD, 570LE, 76I/O, 100pin TQFP case, EPM570T100C3	
U802	IC, Flash, 4Mbit, SPI data interface, 2.7-3.6V, SOIC-8 case	
U803	IC, SDRAM, 128Mbit, 8Mbx16, 16bit data interface, 3.3V, TSOP2 54 case, K4S281632K-UC75	
X201	Crystal, SMD HC49/4H case, 7.3728MHz, 50ppm, 18pF load	
X501	IC, clock oscillator, SMD 5x7mm case, 25MHz, 25ppm, 3.3V	

10 RP PCB 320362 (SP03)

Ref. No.	Description	AVL
C201	Capacitor, SMD1206, X7R, 10uF, 10V, 20%	AVX 1206ZC106MAT2A
C202	Capacitor, SMD1206, X7R, 10uF, 10V, 20%	AVX 1206ZC106MAT2A
C203	Capacitor, SMD0603, X7R, 100nF, 25V, 20%	AVX 06033C104MAT2A
C204	Capacitor, SMD0603, X7R, 100nF, 25V, 20%	AVX 06033C104MAT2A
C205	Capacitor, SMD0603, X7R, 100nF, 25V, 20%	AVX 06033C104MAT2A
C206	Capacitor, SMD0603, X7R, 100nF, 25V, 20%	AVX 06033C104MAT2A
C207	Capacitor, SMD0603, X7R, 100nF, 25V, 20%	AVX 06033C104MAT2A
C208	Capacitor, SMD1206, X7R, 10uF, 10V, 20%	AVX 1206ZC106MAT2A
C209	Capacitor, SMD1206, X7R, 10uF, 10V, 20%	AVX 1206ZC106MAT2A
C210	Capacitor, SMD0603, X7R, 100nF, 25V, 20%	AVX 06033C104MAT2A
C211	Capacitor, SMD0603, X7R, 100nF, 25V, 20%	AVX 06033C104MAT2A
C212	Capacitor, SMD0603, X7R, 100nF, 25V, 20%	AVX 06033C104MAT2A
C213	Capacitor, SMD0603, X7R, 100nF, 25V, 20%	AVX 06033C104MAT2A
C214	Capacitor, SMD1206, X7R, 1uF, 16V, 10%	AVX 1206YC105KAT2A
C215	Capacitor, SMD1206, X7R, 1uF, 16V, 10%	AVX 1206YC105KAT2A
C216	Capacitor, SMD 5.3x6.0mm, OSCON, 2000hrs, 105C, 68uF, 4V, 60mR, 1.4A, 20%	Sanyo 4SVP68M
C217	Capacitor, SMD 5.3x6.0mm, OSCON, 2000hrs, 105C, 68uF, 4V, 60mR, 1.4A, 20%	Sanyo 4SVP68M
C218	Capacitor, SMD 5.3x6.0mm, OSCON, 2000hrs, 105C, 68uF, 4V, 60mR, 1.4A, 20%	Sanyo 4SVP68M
C219	Capacitor, SMD0603, NP0, 15pF, 50V, 10%	AVX 06035A150KAT2A
C220	Capacitor, SMD0603, NP0, 15pF, 50V, 10%	AVX 06035A150KAT2A
C221	Capacitor, SMD0603, X7R, 100nF, 25V, 20%	AVX 06033C104MAT2A
C222	Capacitor, SMD0603, X7R, 100nF, 25V, 20%	AVX 06033C104MAT2A
C301	Capacitor, SMD1206, X7R, 10uF, 10V, 20%	AVX 1206ZC106MAT2A
C303	Capacitor, SMD0603, X7R, 100nF, 25V, 20%	AVX 06033C104MAT2A
C304	Capacitor, SMD0603, X7R, 100nF, 25V, 20%	AVX 06033C104MAT2A
C305	Capacitor, SMD1206, X7R, 10uF, 10V, 20%	AVX 1206ZC106MAT2A
C306	Capacitor, SMD1206, X7R, 10uF, 10V, 20%	AVX 1206ZC106MAT2A
C307	Capacitor, SMD1206, X7R, 10uF, 10V, 20%	AVX 1206ZC106MAT2A
C308	Capacitor, SMD1206, X7R, 10uF, 10V, 20%	AVX 1206ZC106MAT2A
C309	Capacitor, SMD0603, X7R, 100nF, 25V, 20%	AVX 06033C104MAT2A
C310	Capacitor, SMD0603, X7R, 100nF, 25V, 20%	AVX 06033C104MAT2A
C311	Capacitor, SMD0603, X7R, 100nF, 25V, 20%	AVX 06033C104MAT2A
C312	Capacitor, SMD0603, X7R, 100nF, 25V, 20%	AVX 06033C104MAT2A
C313	Capacitor, SMD0603, X7R, 100nF, 25V, 20%	AVX 06033C104MAT2A
C314	Capacitor, SMD0603, X7R, 100nF, 25V, 20%	AVX 06033C104MAT2A
C315	Capacitor, SMD0603, X7R, 100nF, 25V, 20%	AVX 06033C104MAT2A
C316	Capacitor, SMD1206, X7R, 10uF, 10V, 20%	AVX 1206ZC106MAT2A
C317	Capacitor, SMD1206, X7R, 10uF, 10V, 20%	AVX 1206ZC106MAT2A
C318	Capacitor, SMD1206, X7R, 10uF, 10V, 20%	AVX 1206ZC106MAT2A
C319	Capacitor, SMD1206, X7R, 10uF, 10V, 20%	AVX 1206ZC106MAT2A
C320	Capacitor, SMD0603, X7R, 100nF, 25V, 20%	AVX 06033C104MAT2A
C321	Capacitor, SMD0603, X7R, 100nF, 25V, 20%	AVX 06033C104MAT2A

PARTS LIST (Cont'd.)

◆ RP PCB 320362 (SP03) (Cont'd.)

Ref. No.	Description	AVL
C322	Capacitor, SMD0603, X7R, 100nF, 25V, 20%	AVX 06033C104MAT2A
C323	Capacitor, SMD0603, X7R, 100nF, 25V, 20%	AVX 06033C104MAT2A
C324	Capacitor, SMD0603, X7R, 100nF, 25V, 20%	AVX 06033C104MAT2A
C325	Capacitor, SMD0603, X7R, 100nF, 25V, 20%	AVX 06033C104MAT2A
C326	Capacitor, SMD0603, X7R, 100nF, 25V, 20%	AVX 06033C104MAT2A
C351	Capacitor, SMD0603, X7R, 100nF, 25V, 20%	AVX 06033C104MAT2A
D201	Diode, schottky, single, SMD, 40V, 1.75A, 0.42Vf/1A, SOT-23-3 case, ZHCS1000	Zetex ZHCS1000
L201	Inductor, ferrite, SMD1812PS case, 10uH, 10%, 0.9A, 0.17R	Coilcraft 1812PS-103KLC
Q201	Transistor, MOSFET, P-channel, SMD SO-8 case, 20V, 3.5A, 0.11Rdson, 6nC gate charge, FDS9431A	Fairchild FDS9431A
Q202	Transistor, MOSFET, dual complementary, N-channel, 30V, 5.5A, 38mRdson, 19.8nC gate charge, P-channel, 20V, 4A, 72mRdson, 20nC gate charge, SMD SO-8 case.	Fairchild FDS8928A
R102	Resistor, thickfilm, quad, SMD0805, convex terminals, 0.063W, 25V, 200ppm, 10R, 5%	Venkel CRN10-4-10RJT
R103	Resistor, thickfilm, quad, SMD0805, convex terminals, 0.063W, 25V, 200ppm, 10R, 5%	Venkel CRN10-4-10RJT
R104	Resistor, thickfilm, quad, SMD0805, convex terminals, 0.063W, 25V, 200ppm, 10R, 5%	Venkel CRN10-4-10RJT
R105	Resistor, thickfilm, quad, SMD0805, convex terminals, 0.063W, 25V, 200ppm, 10R, 5%	Venkel CRN10-4-10RJT
R106	Resistor, thickfilm, quad, SMD0805, convex terminals, 0.063W, 25V, 200ppm, 10R, 5%	Venkel CRN10-4-10RJT
R107	Resistor, thickfilm, SMD0603, 0.1W, 50V, 100ppm, 10.0K, 1%	Phycomp 2322 704 61003L
R108	Resistor, thickfilm, SMD0603, 0.1W, 50V, 100ppm, 10.0K, 1%	Phycomp 2322 704 61003L
R109	Resistor, thickfilm, SMD0603, 0.1W, 50V, 100ppm, 10.0K, 1%	Phycomp 2322 704 61003L
R110	Resistor, thickfilm, SMD0603, 0.1W, 50V, 100ppm, 10.0K, 1%	Phycomp 2322 704 61003L
R111	Resistor, thickfilm, SMD0603, 0.1W, 50V, 100ppm, 10.0K, 1%	Phycomp 2322 704 61003L
R112	Resistor, thickfilm, SMD0603, 0.1W, 50V, 100ppm, 10.0K, 1%	Phycomp 2322 704 61003L
R113	Resistor, thickfilm, SMD0603, 0.1W, 50V, 100ppm, 10.0K, 1%	Phycomp 2322 704 61003L
R114	Resistor, thickfilm, SMD0603, 0.1W, 50V, 100ppm, 10.0R, 1%	Phycomp 2322 704 61009L
R115	Resistor, thickfilm, SMD0603, 0.1W, 50V, 100ppm, 10.0K, 1%	Phycomp 2322 704 61003L
R201	Resistor, thickfilm, SMD0603, 0.1W, 50V, 100ppm, 10.0K, 1%	Phycomp 2322 704 61003L
R202	Resistor, thickfilm, SMD2512, 2W, 200V, 350ppm, 4R70, 1%	Venkel CR2512-2W-4R70F
R203	Resistor, thickfilm, SMD0603, 0.1W, 50V, 100ppm, 4.70K, 1%	Phycomp 2322 704 64702L
R204	Resistor, thickfilm, SMD0603, 0.1W, 50V, 100ppm, 10.0R, 1%	Phycomp 2322 704 61009L
R205	Resistor, thickfilm, quad, SMD0805, convex terminals, 0.063W, 25V, 200ppm, 10R, 5%	Venkel CRN10-4-10RJT
R210	Resistor, thickfilm, SMD0603, 0.1W, 50V, 100ppm, 10.0R, 1%	Phycomp 2322 704 61009L
R211	Resistor, thickfilm, quad, SMD0805, convex terminals, 0.063W, 25V, 200ppm, 10K, 5%	Venkel CRN10-4-103JT
R212	Resistor, thickfilm, SMD0603, 0.1W, 50V, 100ppm, 10.0R, 1%	Phycomp 2322 704 61009L
R213	Resistor, thickfilm, SMD0603, 0.1W, 50V, 100ppm, 10.0K, 1%	Phycomp 2322 704 61003L
R214	Resistor, thickfilm, SMD0603, 0.1W, 50V, 100ppm, 10.0R, 1%	Phycomp 2322 704 61009L
R215	Resistor, thickfilm, SMD0603, 0.1W, 50V, 100ppm, 4.70K, 1%	Phycomp 2322 704 64702L
R216	Resistor, thickfilm, SMD0603, 0.1W, 50V, 100ppm, 4.70K, 1%	Phycomp 2322 704 64702L
R217	Resistor, thickfilm, SMD0603, 0.1W, 50V, 100ppm, 4.70K, 1%	Phycomp 2322 704 64702L
R218	Resistor, thickfilm, SMD0603, 0.1W, 50V, 100ppm, 4.70K, 1%	Phycomp 2322 704 64702L
R219	Resistor, thickfilm, SMD0603, 0.1W, 50V, 100ppm, 4.70K, 1%	Phycomp 2322 704 64702L
R220	Resistor, thickfilm, SMD0603, 0.1W, 50V, 100ppm, 4.70K, 1%	Phycomp 2322 704 64702L
R301	Resistor, thickfilm, SMD0603, 0.1W, 50V, 100ppm, 10.0K, 1%	Phycomp 2322 704 61003L
R302	Resistor, thickfilm, SMD0603, 0.1W, 50V, 100ppm, 10.0K, 1%	Phycomp 2322 704 61003L
R303	Resistor, thickfilm, quad, SMD0805, convex terminals, 0.063W, 25V, 200ppm, 10R, 5%	Venkel CRN10-4-10RJT
R304	Resistor, thickfilm, quad, SMD0805, convex terminals, 0.063W, 25V, 200ppm, 10R, 5%	Venkel CRN10-4-10RJT
R305	Resistor, thickfilm, quad, SMD0805, convex terminals, 0.063W, 25V, 200ppm, 10R, 5%	Venkel CRN10-4-10RJT
R306	Resistor, thickfilm, quad, SMD0805, convex terminals, 0.063W, 25V, 200ppm, 10R, 5%	Venkel CRN10-4-10RJT
R307	Resistor, thickfilm, quad, SMD0805, convex terminals, 0.063W, 25V, 200ppm, 10R, 5%	Venkel CRN10-4-10RJT
R308	Resistor, thickfilm, quad, SMD0805, convex terminals, 0.063W, 25V, 200ppm, 10R, 5%	Venkel CRN10-4-10RJT
R309	Resistor, thickfilm, quad, SMD0805, convex terminals, 0.063W, 25V, 200ppm, 10R, 5%	Venkel CRN10-4-10RJT
R310	Resistor, thickfilm, quad, SMD0805, convex terminals, 0.063W, 25V, 200ppm, 10R, 5%	Venkel CRN10-4-10RJT
R311	Resistor, thickfilm, quad, SMD0805, convex terminals, 0.063W, 25V, 200ppm, 10R, 5%	Venkel CRN10-4-10RJT
R337	Resistor, thickfilm, SMD0603, 0.1W, 50V, 100ppm, 10.0K, 1%	Phycomp 2322 704 61003L
R339	Resistor, thickfilm, SMD0603, 0.1W, 50V, 100ppm, 10.0K, 1%	Phycomp 2322 704 61003L
R341	Resistor, thickfilm, SMD0603, 0.1W, 50V, 100ppm, 10.0K, 1%	Phycomp 2322 704 61003L
R344	Resistor, thickfilm, SMD0603, 0.1W, 50V, 100ppm, 10.0K, 1%	Phycomp 2322 704 61003L
R351	Resistor, thickfilm, SMD0603, 0.1W, 50V, 100ppm, 10.0R, 1%	Phycomp 2322 704 61009L
R352	Resistor, thickfilm, SMD0603, 0.1W, 50V, 100ppm, 1.00K, 1%	Phycomp 2322 704 61002L
R353	Resistor, thickfilm, SMD0603, 0.1W, 50V, 100ppm, 10.0R, 1%	Phycomp 2322 704 61009L
R355	Resistor, thickfilm, SMD0603, 0.1W, 50V, 100ppm, 10.0K, 1%	Phycomp 2322 704 61003L
R356	Resistor, thickfilm, SMD0603, 0.1W, 50V, 100ppm, 100R, 1%	Phycomp 2322 704 61001L
R357	Resistor, thickfilm, SMD0603, 0.1W, 50V, 100ppm, 100R, 1%	Phycomp 2322 704 61001L
R358	Resistor, thickfilm, SMD0603, 0.1W, 50V, 100ppm, 100R, 1%	Phycomp 2322 704 61001L
R359	Resistor, thickfilm, SMD0603, 0.1W, 50V, 100ppm, 100R, 1%	Phycomp 2322 704 61001L
R360	Resistor, thickfilm, SMD0603, 0.1W, 50V, 100ppm, 1.00K, 1%	Phycomp 2322 704 61002L
S101	Connector, pinrow, straight, 2.54mm pitch, 0.64mm sq pin, PCB, TH,male, 9mm head, 6mm tail, gold, 2x17-way	Oupiin 2011-2X17G00S/6/9B
S102	Connector, pinrow, straight, 2.54mm pitch, 0.64mm sq pin, PCB, TH,male, 9mm head, 6mm tail, gold, 2x17-way	Oupiin 2011-2X17G00S/6/9B
S201	Connector, pinrow, straight, 2.54mm pitch, 0.64mm sq pin, PCB, TH,male,boardstacking 7.5mm head, 2.5mm tail, 12mm stackingheight, gold, 6+7-way, no pin 3	Oupiin 2012-2X07G00S/2.5/7.5/22B/L001
U101	IC, DSP, Blackfin, PBGA-297 case, ADSP-BF561SBBZ600 silicium version 0.3	Analog Devices ADSP-BF561SBBZ600
U201	IC, comparator, single, nanopower reset comparator, 3.3V, active low output, reset input, SOT-23-5 case.	Texas Instr. TPS3836K33DBVT
U202	IC, voltage regulator, LDO, 3.3V, 1.5%, 1A, 10V in, TO-252 case, LP8340CDT-3.3	National LP8340CDT-3.3/NOPB

PARTS LIST (Cont'd.)

10 RP PCB 320362 (SP03) (Cont'd.)

Ref. No.	Description	AVL
U203	IC, logic, AUP series, inverter, Schmidt trigger, single, 0.8V-3.6V, 4.9nS, SOT23-5 case, SN74AUP1G14DBV	Texas Instr. SN74AUP1G14DBVT
U204	IC, logic, LVC series, buffer, 3-state, single, 1.65V-5.5V, 5V tolerant, 4nS, SOT23-5 case, SN74LVC1G126DBVT	Texas Instr. SN74LVC1G126DBVT
U205	IC, comparator, single, nanopower reset comparator, 3.0V, active low output, reset input, SOT-23-5 case, TPS3836L30DBVT	Texas Instr. TPS3836L30DBVT
U301	IC, Flash, 64Mbit, 32bit data interface, 3V, TSOP 56 case.	Spansion S29GL064M-90-TFI-R20
U302	IC, SDRAM, 64Mbit, 16bit data interface, 133MHz, 3.3V, TSOP 56 case.	Micron MT48LC4M16A2P-7E
U303	IC, SDRAM, 64Mbit, 16bit data interface, 133MHz, 3.3V, TSOP 56 case.	Micron MT48LC4M16A2P-7E
U351	IC, EEPROM, 256Kb, 2.7V-5.5V, SPI, SOIC-8 case, AT25256AN-10SI-2.7	Atmel AT25256AN-10SU-2.7
X201	Crystal, SMD HC49/4H case, 24.576MHz, 30ppm	Citizen HCM49-24.576MABJ-

11 OUT TOP PCB 320356 (IO23)

Ref. No.	Description	AVL
C104	Capacitor, SMD0805, X7R, 10nF, 50V, 20%	AVX 08055C103MAT2A
C105	Capacitor, SMD0805, X7R, 10nF, 50V, 20%	AVX 08055C103MAT2A
C106	Capacitor, SMD0805, X7R, 10nF, 50V, 20%	AVX 08055C103MAT2A
C107	Capacitor, SMD0805, X7R, 10nF, 50V, 20%	AVX 08055C103MAT2A
C108	Capacitor, SMD0805, X7R, 10nF, 50V, 20%	AVX 08055C103MAT2A
C200_AUX1	Capacitor, SMD 5.0x5.4mm, AL, 2000hrs, 85C, 47uF, 16V, 20%	Nichicon UWR1C470MCL1GB
C200_AUX2	Capacitor, SMD 5.0x5.4mm, AL, 2000hrs, 85C, 47uF, 16V, 20%	Nichicon UWR1C470MCL1GB
C200_C	Capacitor, SMD 5.0x5.4mm, AL, 2000hrs, 85C, 47uF, 16V, 20%	Nichicon UWR1C470MCL1GB
C200_FL	Capacitor, SMD 5.0x5.4mm, AL, 2000hrs, 85C, 47uF, 16V, 20%	Nichicon UWR1C470MCL1GB
C200_FR	Capacitor, SMD 5.0x5.4mm, AL, 2000hrs, 85C, 47uF, 16V, 20%	Nichicon UWR1C470MCL1GB
C200_SBL	Capacitor, SMD 5.0x5.4mm, AL, 2000hrs, 85C, 47uF, 16V, 20%	Nichicon UWR1C470MCL1GB
C200_SBR	Capacitor, SMD 5.0x5.4mm, AL, 2000hrs, 85C, 47uF, 16V, 20%	Nichicon UWR1C470MCL1GB
C200_SL	Capacitor, SMD 5.0x5.4mm, AL, 2000hrs, 85C, 47uF, 16V, 20%	Nichicon UWR1C470MCL1GB
C200_SR	Capacitor, SMD 5.0x5.4mm, AL, 2000hrs, 85C, 47uF, 16V, 20%	Nichicon UWR1C470MCL1GB
C201_AUX1	Capacitor, SMD0603, X7R, 100nF, 25V, 20%	AVX 06033C104MAT2A
C201_AUX2	Capacitor, SMD0603, X7R, 100nF, 25V, 20%	AVX 06033C104MAT2A
C201_C	Capacitor, SMD0603, X7R, 100nF, 25V, 20%	AVX 06033C104MAT2A
C201_FL	Capacitor, SMD0603, X7R, 100nF, 25V, 20%	AVX 06033C104MAT2A
C201_FR	Capacitor, SMD0603, X7R, 100nF, 25V, 20%	AVX 06033C104MAT2A
C201_SBL	Capacitor, SMD0603, X7R, 100nF, 25V, 20%	AVX 06033C104MAT2A
C201_SBR	Capacitor, SMD0603, X7R, 100nF, 25V, 20%	AVX 06033C104MAT2A
C201_SL	Capacitor, SMD0603, X7R, 100nF, 25V, 20%	AVX 06033C104MAT2A
C201_SR	Capacitor, SMD0603, X7R, 100nF, 25V, 20%	AVX 06033C104MAT2A
C202_AUX1	Capacitor, SMD0603, X7R, 100nF, 25V, 20%	AVX 06033C104MAT2A
C202_AUX2	Capacitor, SMD0603, X7R, 100nF, 25V, 20%	AVX 06033C104MAT2A
C202_C	Capacitor, SMD0603, X7R, 100nF, 25V, 20%	AVX 06033C104MAT2A
C202_FL	Capacitor, SMD0603, X7R, 100nF, 25V, 20%	AVX 06033C104MAT2A
C202_FR	Capacitor, SMD0603, X7R, 100nF, 25V, 20%	AVX 06033C104MAT2A
C202_SBL	Capacitor, SMD0603, X7R, 100nF, 25V, 20%	AVX 06033C104MAT2A
C202_SBR	Capacitor, SMD0603, X7R, 100nF, 25V, 20%	AVX 06033C104MAT2A
C202_SL	Capacitor, SMD0603, X7R, 100nF, 25V, 20%	AVX 06033C104MAT2A
C202_SR	Capacitor, SMD0603, X7R, 100nF, 25V, 20%	AVX 06033C104MAT2A
C203_AUX1	Capacitor, SMD 5.0x5.4mm, AL, 2000hrs, 85C, 47uF, 16V, 20%	Nichicon UWR1C470MCL1GB
C203_AUX2	Capacitor, SMD 5.0x5.4mm, AL, 2000hrs, 85C, 47uF, 16V, 20%	Nichicon UWR1C470MCL1GB
C203_C	Capacitor, SMD 5.0x5.4mm, AL, 2000hrs, 85C, 47uF, 16V, 20%	Nichicon UWR1C470MCL1GB
C203_FL	Capacitor, SMD 5.0x5.4mm, AL, 2000hrs, 85C, 47uF, 16V, 20%	Nichicon UWR1C470MCL1GB
C203_FR	Capacitor, SMD 5.0x5.4mm, AL, 2000hrs, 85C, 47uF, 16V, 20%	Nichicon UWR1C470MCL1GB
C203_SBL	Capacitor, SMD 5.0x5.4mm, AL, 2000hrs, 85C, 47uF, 16V, 20%	Nichicon UWR1C470MCL1GB
C203_SBR	Capacitor, SMD 5.0x5.4mm, AL, 2000hrs, 85C, 47uF, 16V, 20%	Nichicon UWR1C470MCL1GB
C203_SL	Capacitor, SMD 5.0x5.4mm, AL, 2000hrs, 85C, 47uF, 16V, 20%	Nichicon UWR1C470MCL1GB
C203_SR	Capacitor, SMD 5.0x5.4mm, AL, 2000hrs, 85C, 47uF, 16V, 20%	Nichicon UWR1C470MCL1GB
C204_AUX1	Capacitor, SMD 8.3x10.2mm, AL, 2000hrs, 85C, 470uF, 6.3V, 20%	Panasonic EEEV0JA471P
C204_AUX2	Capacitor, SMD 8.3x10.2mm, AL, 2000hrs, 85C, 470uF, 6.3V, 20%	Panasonic EEEV0JA471P
C204_C	Capacitor, SMD 8.3x10.2mm, AL, 2000hrs, 85C, 470uF, 6.3V, 20%	Panasonic EEEV0JA471P
C204_FL	Capacitor, SMD 8.3x10.2mm, AL, 2000hrs, 85C, 470uF, 6.3V, 20%	Panasonic EEEV0JA471P
C204_FR	Capacitor, SMD 8.3x10.2mm, AL, 2000hrs, 85C, 470uF, 6.3V, 20%	Panasonic EEEV0JA471P
C204_SBL	Capacitor, SMD 8.3x10.2mm, AL, 2000hrs, 85C, 470uF, 6.3V, 20%	Panasonic EEEV0JA471P
C204_SBR	Capacitor, SMD 8.3x10.2mm, AL, 2000hrs, 85C, 470uF, 6.3V, 20%	Panasonic EEEV0JA471P
C204_SL	Capacitor, SMD 8.3x10.2mm, AL, 2000hrs, 85C, 470uF, 6.3V, 20%	Panasonic EEEV0JA471P
C204_SR	Capacitor, SMD 8.3x10.2mm, AL, 2000hrs, 85C, 470uF, 6.3V, 20%	Panasonic EEEV0JA471P
C205_AUX1	Capacitor, SMD 8.3x10.2mm, AL, 2000hrs, 85C, 470uF, 6.3V, 20%	Panasonic EEEV0JA471P
C205_AUX2	Capacitor, SMD 8.3x10.2mm, AL, 2000hrs, 85C, 470uF, 6.3V, 20%	Panasonic EEEV0JA471P
C205_C	Capacitor, SMD 8.3x10.2mm, AL, 2000hrs, 85C, 470uF, 6.3V, 20%	Panasonic EEEV0JA471P
C205_FL	Capacitor, SMD 8.3x10.2mm, AL, 2000hrs, 85C, 470uF, 6.3V, 20%	Panasonic EEEV0JA471P
C205_FR	Capacitor, SMD 8.3x10.2mm, AL, 2000hrs, 85C, 470uF, 6.3V, 20%	Panasonic EEEV0JA471P
C205_SBL	Capacitor, SMD 8.3x10.2mm, AL, 2000hrs, 85C, 470uF, 6.3V, 20%	Panasonic EEEV0JA471P
C205_SBR	Capacitor, SMD 8.3x10.2mm, AL, 2000hrs, 85C, 470uF, 6.3V, 20%	Panasonic EEEV0JA471P
C205_SL	Capacitor, SMD 8.3x10.2mm, AL, 2000hrs, 85C, 470uF, 6.3V, 20%	Panasonic EEEV0JA471P
C205_SR	Capacitor, SMD 8.3x10.2mm, AL, 2000hrs, 85C, 470uF, 6.3V, 20%	Panasonic EEEV0JA471P
C206_AUX1	Capacitor, SMD0603, NP0, 22pF, 50V, 10%	AVX 06035A220KAT2A

PARTS LIST (Cont'd.)

OUT TOP PCB 320356 (IO23) (Cont'd.)

Ref. No.	Description	AVL
C206_AUX2	Capacitor, SMD0603, NP0, 22pF, 50V, 10%	AVX 06035A220KAT2A
C206_C	Capacitor, SMD0603, NP0, 22pF, 50V, 10%	AVX 06035A220KAT2A
C206_FL	Capacitor, SMD0603, NP0, 22pF, 50V, 10%	AVX 06035A220KAT2A
C206_FR	Capacitor, SMD0603, NP0, 22pF, 50V, 10%	AVX 06035A220KAT2A
C206_SBL	Capacitor, SMD0603, NP0, 22pF, 50V, 10%	AVX 06035A220KAT2A
C206_SBR	Capacitor, SMD0603, NP0, 22pF, 50V, 10%	AVX 06035A220KAT2A
C206_SL	Capacitor, SMD0603, NP0, 22pF, 50V, 10%	AVX 06035A220KAT2A
C206_SR	Capacitor, SMD0603, NP0, 22pF, 50V, 10%	AVX 06035A220KAT2A
C207_AUX1	Capacitor, SMD 8.3x10.2mm, AL, 2000hrs, 85C, 470uF, 6.3V, 20%	Panasonic EEEV0JA471P
C207_AUX2	Capacitor, SMD 8.3x10.2mm, AL, 2000hrs, 85C, 470uF, 6.3V, 20%	Panasonic EEEV0JA471P
C207_C	Capacitor, SMD 8.3x10.2mm, AL, 2000hrs, 85C, 470uF, 6.3V, 20%	Panasonic EEEV0JA471P
C207_FL	Capacitor, SMD 8.3x10.2mm, AL, 2000hrs, 85C, 470uF, 6.3V, 20%	Panasonic EEEV0JA471P
C207_FR	Capacitor, SMD 8.3x10.2mm, AL, 2000hrs, 85C, 470uF, 6.3V, 20%	Panasonic EEEV0JA471P
C207_SBL	Capacitor, SMD 8.3x10.2mm, AL, 2000hrs, 85C, 470uF, 6.3V, 20%	Panasonic EEEV0JA471P
C207_SBR	Capacitor, SMD 8.3x10.2mm, AL, 2000hrs, 85C, 470uF, 6.3V, 20%	Panasonic EEEV0JA471P
C207_SL	Capacitor, SMD 8.3x10.2mm, AL, 2000hrs, 85C, 470uF, 6.3V, 20%	Panasonic EEEV0JA471P
C207_SR	Capacitor, SMD 8.3x10.2mm, AL, 2000hrs, 85C, 470uF, 6.3V, 20%	Panasonic EEEV0JA471P
C208_AUX1	Capacitor, SMD 8.3x10.2mm, AL, 2000hrs, 85C, 470uF, 6.3V, 20%	Panasonic EEEV0JA471P
C208_AUX2	Capacitor, SMD 8.3x10.2mm, AL, 2000hrs, 85C, 470uF, 6.3V, 20%	Panasonic EEEV0JA471P
C208_C	Capacitor, SMD 8.3x10.2mm, AL, 2000hrs, 85C, 470uF, 6.3V, 20%	Panasonic EEEV0JA471P
C208_FL	Capacitor, SMD 8.3x10.2mm, AL, 2000hrs, 85C, 470uF, 6.3V, 20%	Panasonic EEEV0JA471P
C208_FR	Capacitor, SMD 8.3x10.2mm, AL, 2000hrs, 85C, 470uF, 6.3V, 20%	Panasonic EEEV0JA471P
C208_SBL	Capacitor, SMD 8.3x10.2mm, AL, 2000hrs, 85C, 470uF, 6.3V, 20%	Panasonic EEEV0JA471P
C208_SBR	Capacitor, SMD 8.3x10.2mm, AL, 2000hrs, 85C, 470uF, 6.3V, 20%	Panasonic EEEV0JA471P
C208_SL	Capacitor, SMD 8.3x10.2mm, AL, 2000hrs, 85C, 470uF, 6.3V, 20%	Panasonic EEEV0JA471P
C208_SR	Capacitor, SMD 8.3x10.2mm, AL, 2000hrs, 85C, 470uF, 6.3V, 20%	Panasonic EEEV0JA471P
C209_AUX1	Capacitor, SMD0603, NP0, 22pF, 50V, 10%	AVX 06035A220KAT2A
C209_AUX2	Capacitor, SMD0603, NP0, 22pF, 50V, 10%	AVX 06035A220KAT2A
C209_C	Capacitor, SMD0603, NP0, 22pF, 50V, 10%	AVX 06035A220KAT2A
C209_FL	Capacitor, SMD0603, NP0, 22pF, 50V, 10%	AVX 06035A220KAT2A
C209_FR	Capacitor, SMD0603, NP0, 22pF, 50V, 10%	AVX 06035A220KAT2A
C209_SBL	Capacitor, SMD0603, NP0, 22pF, 50V, 10%	AVX 06035A220KAT2A
C209_SBR	Capacitor, SMD0603, NP0, 22pF, 50V, 10%	AVX 06035A220KAT2A
C209_SL	Capacitor, SMD0603, NP0, 22pF, 50V, 10%	AVX 06035A220KAT2A
C209_SR	Capacitor, SMD0603, NP0, 22pF, 50V, 10%	AVX 06035A220KAT2A
C300	Capacitor, SMD 5.0x5.4mm, AL, 2000hrs, 85C, 47uF, 16V, 20%	Nichicon UWR1C470MCL1GB
C301	Capacitor, SMD0603, X7R, 100nF, 25V, 20%	AVX 06033C104MAT2A
C302	Capacitor, SMD0603, X7R, 100nF, 25V, 20%	AVX 06033C104MAT2A
C303	Capacitor, SMD 5.0x5.4mm, AL, 2000hrs, 85C, 47uF, 16V, 20%	Nichicon UWR1C470MCL1GB
C304	Capacitor, SMD 8.3x10.2mm, AL, 2000hrs, 85C, 470uF, 6.3V, 20%	Panasonic EEEV0JA471P
C305	Capacitor, SMD 8.3x10.2mm, AL, 2000hrs, 85C, 470uF, 6.3V, 20%	Panasonic EEEV0JA471P
C306	Capacitor, SMD0603, NP0, 22pF, 50V, 10%	AVX 06035A220KAT2A
C307	Capacitor, SMD 8.3x10.2mm, AL, 2000hrs, 85C, 470uF, 6.3V, 20%	Panasonic EEEV0JA471P
C308	Capacitor, SMD 8.3x10.2mm, AL, 2000hrs, 85C, 470uF, 6.3V, 20%	Panasonic EEEV0JA471P
C309	Capacitor, SMD0603, NP0, 22pF, 50V, 10%	AVX 06035A220KAT2A
C400	Capacitor, SMD 5.0x5.4mm, AL, 2000hrs, 85C, 47uF, 16V, 20%	Nichicon UWR1C470MCL1GB
C401	Capacitor, SMD0603, X7R, 100nF, 25V, 20%	AVX 06033C104MAT2A
C402	Capacitor, SMD0603, X7R, 100nF, 25V, 20%	AVX 06033C104MAT2A
C403	Capacitor, SMD 5.0x5.4mm, AL, 2000hrs, 85C, 47uF, 16V, 20%	Nichicon UWR1C470MCL1GB
C404	Capacitor, SMD 8.3x10.2mm, AL, 2000hrs, 85C, 470uF, 6.3V, 20%	Panasonic EEEV0JA471P
C405	Capacitor, SMD 8.3x10.2mm, AL, 2000hrs, 85C, 470uF, 6.3V, 20%	Panasonic EEEV0JA471P
C406	Capacitor, SMD0603, NP0, 22pF, 50V, 10%	AVX 06035A220KAT2A
C407	Capacitor, SMD 8.3x10.2mm, AL, 2000hrs, 85C, 470uF, 6.3V, 20%	Panasonic EEEV0JA471P
C408	Capacitor, SMD 8.3x10.2mm, AL, 2000hrs, 85C, 470uF, 6.3V, 20%	Panasonic EEEV0JA471P
C409	Capacitor, SMD0603, NP0, 22pF, 50V, 10%	AVX 06035A220KAT2A
C500	Capacitor, SMD0603, NP0, 100pF, 50V, 10%	AVX 06035A101KAT2A
C501	Capacitor, SMD0603, NP0, 100pF, 50V, 10%	AVX 06035A101KAT2A
C502	Capacitor, SMD0603, NP0, 100pF, 50V, 10%	AVX 06035A101KAT2A
C503	Capacitor, SMD0603, NP0, 100pF, 50V, 10%	AVX 06035A101KAT2A
C504	Capacitor, SMD0603, NP0, 100pF, 50V, 10%	AVX 06035A101KAT2A
C505	Capacitor, SMD0603, NP0, 100pF, 50V, 10%	AVX 06035A101KAT2A
C506	Capacitor, SMD0603, NP0, 100pF, 50V, 10%	AVX 06035A101KAT2A
C507	Capacitor, SMD0603, NP0, 100pF, 50V, 10%	AVX 06035A101KAT2A
C508	Capacitor, SMD0603, NP0, 100pF, 50V, 10%	AVX 06035A101KAT2A
C509	Capacitor, SMD0603, NP0, 100pF, 50V, 10%	AVX 06035A101KAT2A
C510	Capacitor, SMD0603, NP0, 100pF, 50V, 10%	AVX 06035A101KAT2A
C511	Capacitor, SMD0603, NP0, 100pF, 50V, 10%	AVX 06035A101KAT2A
E200_AUX1	Relay, monostable, 5V coil, DPDT, gold contacts, SMD, G6J-2FS-Y 5VDC	Omron G6J-2FS-Y 5VDC
E200_AUX2	Relay, monostable, 5V coil, DPDT, gold contacts, SMD, G6J-2FS-Y 5VDC	Omron G6J-2FS-Y 5VDC
E200_C	Relay, monostable, 5V coil, DPDT, gold contacts, SMD, G6J-2FS-Y 5VDC	Omron G6J-2FS-Y 5VDC
E200_FL	Relay, monostable, 5V coil, DPDT, gold contacts, SMD, G6J-2FS-Y 5VDC	Omron G6J-2FS-Y 5VDC
E200_FR	Relay, monostable, 5V coil, DPDT, gold contacts, SMD, G6J-2FS-Y 5VDC	Omron G6J-2FS-Y 5VDC

PARTS LIST (Cont'd.)

OUT TOP PCB 320356 (IO23) (Cont'd.)

Ref. No.	Description	AVL
E200_SBL	Relay, monostable, 5V coil, DPDT, gold contacts, SMD, G6J-2FS-Y 5VDC	Omron G6J-2FS-Y 5VDC
E200_SBR	Relay, monostable, 5V coil, DPDT, gold contacts, SMD, G6J-2FS-Y 5VDC	Omron G6J-2FS-Y 5VDC
E200_SL	Relay, monostable, 5V coil, DPDT, gold contacts, SMD, G6J-2FS-Y 5VDC	Omron G6J-2FS-Y 5VDC
E200_SR	Relay, monostable, 5V coil, DPDT, gold contacts, SMD, G6J-2FS-Y 5VDC	Omron G6J-2FS-Y 5VDC
E300	Relay, monostable, 5V coil, DPDT, gold contacts, SMD, G6J-2FS-Y 5VDC	Omron G6J-2FS-Y 5VDC
E400	Relay, monostable, 5V coil, DPDT, gold contacts, SMD, G6J-2FS-Y 5VDC	Omron G6J-2FS-Y 5VDC
J104	Conn., pinrow, straight, 2.54mm pitch, 0.64mm sq pin, PCB, TH, female, gold, 8.50mm body, 3.05mm tail, 2x13-way	Molex 90151-2326
J105	Conn., pinrow, straight, 2.54mm pitch, 0.64mm sq pin, PCB, TH, female, gold, 8.50mm body, 3.05mm tail, 2x13-way	Molex 90151-2326
J106	Conn., pinrow, straight, 2.54mm pitch, 0.64mm sq pin, PCB, TH, female, gold, 8.50mm body, 3.05mm tail, 2x7-way	Molex 90151-2314
J107	Conn., pinrow, straight, 2.54mm pitch, 0.64mm sq pin, PCB, TH, female, gold, 8.50mm body, 3.05mm tail, 2x7-way	Molex 90151-2314
J508	Connector, XLR, 3-way, male, PCB, TH, angled, NC3MBH	Neutric NC3MBH
J509	Connector, XLR, 3-way, male, PCB, TH, angled, NC3MBH	Neutric NC3MBH
J510	Connector, XLR, 3-way, male, PCB, TH, angled, NC3MBH	Neutric NC3MBH
J511	Connector, XLR, 3-way, male, PCB, TH, angled, NC3MBH	Neutric NC3MBH
J512	Connector, XLR, 3-way, male, PCB, TH, angled, NC3MBH	Neutric NC3MBH
J513	Connector, XLR, 3-way, male, PCB, TH, angled, NC3MBH	Neutric NC3MBH
R200_AUX1	Resistor, thickfilm, SMD0805, 0.125W, 150V, 100ppm, 10.0R, 1%	Koa Speer RK73H2ATTD10R0F
R200_AUX2	Resistor, thickfilm, SMD0805, 0.125W, 150V, 100ppm, 10.0R, 1%	Koa Speer RK73H2ATTD10R0F
R200_C	Resistor, thickfilm, SMD0805, 0.125W, 150V, 100ppm, 10.0R, 1%	Koa Speer RK73H2ATTD10R0F
R200_FL	Resistor, thickfilm, SMD0805, 0.125W, 150V, 100ppm, 10.0R, 1%	Koa Speer RK73H2ATTD10R0F
R200_FR	Resistor, thickfilm, SMD0805, 0.125W, 150V, 100ppm, 10.0R, 1%	Koa Speer RK73H2ATTD10R0F
R200_SBL	Resistor, thickfilm, SMD0805, 0.125W, 150V, 100ppm, 10.0R, 1%	Koa Speer RK73H2ATTD10R0F
R200_SBR	Resistor, thickfilm, SMD0805, 0.125W, 150V, 100ppm, 10.0R, 1%	Koa Speer RK73H2ATTD10R0F
R200_SL	Resistor, thickfilm, SMD0805, 0.125W, 150V, 100ppm, 10.0R, 1%	Koa Speer RK73H2ATTD10R0F
R200_SR	Resistor, thickfilm, SMD0805, 0.125W, 150V, 100ppm, 10.0R, 1%	Koa Speer RK73H2ATTD10R0F
R201_AUX1	Resistor, thickfilm, SMD0805, 0.125W, 150V, 100ppm, 10.0R, 1%	Koa Speer RK73H2ATTD10R0F
R201_AUX2	Resistor, thickfilm, SMD0805, 0.125W, 150V, 100ppm, 10.0R, 1%	Koa Speer RK73H2ATTD10R0F
R201_C	Resistor, thickfilm, SMD0805, 0.125W, 150V, 100ppm, 10.0R, 1%	Koa Speer RK73H2ATTD10R0F
R201_FL	Resistor, thickfilm, SMD0805, 0.125W, 150V, 100ppm, 10.0R, 1%	Koa Speer RK73H2ATTD10R0F
R201_FR	Resistor, thickfilm, SMD0805, 0.125W, 150V, 100ppm, 10.0R, 1%	Koa Speer RK73H2ATTD10R0F
R201_SBL	Resistor, thickfilm, SMD0805, 0.125W, 150V, 100ppm, 10.0R, 1%	Koa Speer RK73H2ATTD10R0F
R201_SBR	Resistor, thickfilm, SMD0805, 0.125W, 150V, 100ppm, 10.0R, 1%	Koa Speer RK73H2ATTD10R0F
R201_SL	Resistor, thickfilm, SMD0805, 0.125W, 150V, 100ppm, 10.0R, 1%	Koa Speer RK73H2ATTD10R0F
R201_SR	Resistor, thickfilm, SMD0805, 0.125W, 150V, 100ppm, 10.0R, 1%	Koa Speer RK73H2ATTD10R0F
R202_AUX1	Resistor, thinfilm, SMD0805, 0.1W, 75V, 100ppm, 200K, 1%	Koa Speer RN732ATTD2003F100
R202_AUX2	Resistor, thinfilm, SMD0805, 0.1W, 75V, 100ppm, 200K, 1%	Koa Speer RN732ATTD2003F100
R202_C	Resistor, thinfilm, SMD0805, 0.1W, 75V, 100ppm, 200K, 1%	Koa Speer RN732ATTD2003F100
R202_FL	Resistor, thinfilm, SMD0805, 0.1W, 75V, 100ppm, 200K, 1%	Koa Speer RN732ATTD2003F100
R202_FR	Resistor, thinfilm, SMD0805, 0.1W, 75V, 100ppm, 200K, 1%	Koa Speer RN732ATTD2003F100
R202_SBL	Resistor, thinfilm, SMD0805, 0.1W, 75V, 100ppm, 200K, 1%	Koa Speer RN732ATTD2003F100
R202_SBR	Resistor, thinfilm, SMD0805, 0.1W, 75V, 100ppm, 200K, 1%	Koa Speer RN732ATTD2003F100
R202_SL	Resistor, thinfilm, SMD0805, 0.1W, 75V, 100ppm, 200K, 1%	Koa Speer RN732ATTD2003F100
R202_SR	Resistor, thinfilm, SMD0805, 0.1W, 75V, 100ppm, 200K, 1%	Koa Speer RN732ATTD2003F100
R203_AUX1	Resistor, thinfilm, SMD0805, 0.1W, 75V, 100ppm, 100K, 1%	Koa Speer RN732ATTD1003F100
R203_AUX2	Resistor, thinfilm, SMD0805, 0.1W, 75V, 100ppm, 100K, 1%	Koa Speer RN732ATTD1003F100
R203_C	Resistor, thinfilm, SMD0805, 0.1W, 75V, 100ppm, 100K, 1%	Koa Speer RN732ATTD1003F100
R203_FL	Resistor, thinfilm, SMD0805, 0.1W, 75V, 100ppm, 100K, 1%	Koa Speer RN732ATTD1003F100
R203_FR	Resistor, thinfilm, SMD0805, 0.1W, 75V, 100ppm, 100K, 1%	Koa Speer RN732ATTD1003F100
R203_SBL	Resistor, thinfilm, SMD0805, 0.1W, 75V, 100ppm, 100K, 1%	Koa Speer RN732ATTD1003F100
R203_SBR	Resistor, thinfilm, SMD0805, 0.1W, 75V, 100ppm, 100K, 1%	Koa Speer RN732ATTD1003F100
R203_SL	Resistor, thinfilm, SMD0805, 0.1W, 75V, 100ppm, 100K, 1%	Koa Speer RN732ATTD1003F100
R203_SR	Resistor, thinfilm, SMD0805, 0.1W, 75V, 100ppm, 100K, 1%	Koa Speer RN732ATTD1003F100
R204_AUX1	Resistor, thickfilm, SMD0805, 2A, 0R	Koa Speer RK73Z2ATTD
R204_AUX2	Resistor, thickfilm, SMD0805, 2A, 0R	Koa Speer RK73Z2ATTD
R204_C	Resistor, thickfilm, SMD0805, 2A, 0R	Koa Speer RK73Z2ATTD
R204_FL	Resistor, thickfilm, SMD0805, 2A, 0R	Koa Speer RK73Z2ATTD
R204_FR	Resistor, thickfilm, SMD0805, 2A, 0R	Koa Speer RK73Z2ATTD
R204_SBL	Resistor, thickfilm, SMD0805, 2A, 0R	Koa Speer RK73Z2ATTD
R204_SBR	Resistor, thickfilm, SMD0805, 2A, 0R	Koa Speer RK73Z2ATTD
R204_SL	Resistor, thickfilm, SMD0805, 2A, 0R	Koa Speer RK73Z2ATTD
R204_SR	Resistor, thickfilm, SMD0805, 2A, 0R	Koa Speer RK73Z2ATTD
R205_AUX1	Resistor, thinfilm, SMD0805, 0.1W, 75V, 100ppm, 1.20K, 1%	Koa Speer RN732ATTD1201F100
R205_AUX2	Resistor, thinfilm, SMD0805, 0.1W, 75V, 100ppm, 1.20K, 1%	Koa Speer RN732ATTD1201F100
R205_C	Resistor, thinfilm, SMD0805, 0.1W, 75V, 100ppm, 1.20K, 1%	Koa Speer RN732ATTD1201F100
R205_FL	Resistor, thinfilm, SMD0805, 0.1W, 75V, 100ppm, 1.20K, 1%	Koa Speer RN732ATTD1201F100
R205_FR	Resistor, thinfilm, SMD0805, 0.1W, 75V, 100ppm, 1.20K, 1%	Koa Speer RN732ATTD1201F100
R205_SBL	Resistor, thinfilm, SMD0805, 0.1W, 75V, 100ppm, 1.20K, 1%	Koa Speer RN732ATTD1201F100
R205_SBR	Resistor, thinfilm, SMD0805, 0.1W, 75V, 100ppm, 1.20K, 1%	Koa Speer RN732ATTD1201F100
R205_SL	Resistor, thinfilm, SMD0805, 0.1W, 75V, 100ppm, 1.20K, 1%	Koa Speer RN732ATTD1201F100
R205_SR	Resistor, thinfilm, SMD0805, 0.1W, 75V, 100ppm, 1.20K, 1%	Koa Speer RN732ATTD1201F100
R206_AUX1	Resistor, thinfilm, SMD0805, 0.1W, 75V, 100ppm, 100K, 1%	Koa Speer RN732ATTD1003F100
R206_AUX2	Resistor, thinfilm, SMD0805, 0.1W, 75V, 100ppm, 100K, 1%	Koa Speer RN732ATTD1003F100

PARTS LIST (Cont'd.)

OUT TOP PCB 320356 (IO23) (Cont'd.)

Ref. No.	Description	AVL
R302	Resistor, thinfilm, SMD0805, 0.1W, 75V, 100ppm, 200K, 1%	Koa Speer RN732ATTD2003F100
R303	Resistor, thinfilm, SMD0805, 0.1W, 75V, 100ppm, 100K, 1%	Koa Speer RN732ATTD1003F100
R304	Resistor, thickfilm, SMD0805, 2A, 0R	Koa Speer RK73Z2ATTD
R305	Resistor, thinfilm, SMD0805, 0.1W, 75V, 100ppm, 1.20K, 1%	Koa Speer RN732ATTD1201F100
R306	Resistor, thinfilm, SMD0805, 0.1W, 75V, 100ppm, 100K, 1%	Koa Speer RN732ATTD1003F100
R307	Resistor, thinfilm, SMD0805, 0.1W, 75V, 100ppm, 200K, 1%	Koa Speer RN732ATTD2003F100
R308	Resistor, thinfilm, SMD0805, 0.1W, 75V, 100ppm, 100K, 1%	Koa Speer RN732ATTD1003F100
R309	Resistor, thinfilm, SMD0805, 0.1W, 75V, 100ppm, 2.10K, 1%	Koa Speer RN732ATTD2101F100
R310	Resistor, thickfilm, SMD0805, 2A, 0R	Koa Speer RK73Z2ATTD
R311	Resistor, thinfilm, SMD0805, 0.1W, 75V, 100ppm, 499R, 1%	Koa Speer RN732ATTD4990F100
R312	Resistor, thinfilm, SMD0805, 0.1W, 75V, 100ppm, 100K, 1%	Koa Speer RN732ATTD1003F100
R313	Resistor, thinfilm, SMD0805, 0.1W, 75V, 100ppm, 499R, 1%	Koa Speer RN732ATTD4990F100
R400	Resistor, thickfilm, SMD0805, 0.125W, 150V, 100ppm, 10.0R, 1%	Koa Speer RK73H2ATTD10R0F
R401	Resistor, thickfilm, SMD0805, 0.125W, 150V, 100ppm, 10.0R, 1%	Koa Speer RK73H2ATTD10R0F
R402	Resistor, thinfilm, SMD0805, 0.1W, 75V, 100ppm, 200K, 1%	Koa Speer RN732ATTD2003F100
R403	Resistor, thinfilm, SMD0805, 0.1W, 75V, 100ppm, 100K, 1%	Koa Speer RN732ATTD1003F100
R404	Resistor, thickfilm, SMD0805, 2A, 0R	Koa Speer RK73Z2ATTD
R405	Resistor, thinfilm, SMD0805, 0.1W, 75V, 100ppm, 1.20K, 1%	Koa Speer RN732ATTD1201F100
R406	Resistor, thinfilm, SMD0805, 0.1W, 75V, 100ppm, 100K, 1%	Koa Speer RN732ATTD1003F100
R407	Resistor, thinfilm, SMD0805, 0.1W, 75V, 100ppm, 200K, 1%	Koa Speer RN732ATTD2003F100
R408	Resistor, thinfilm, SMD0805, 0.1W, 75V, 100ppm, 100K, 1%	Koa Speer RN732ATTD1003F100
R409	Resistor, thinfilm, SMD0805, 0.1W, 75V, 100ppm, 1.50K, 1%	Koa Speer RN732ATTD1501F100
R410	Resistor, thickfilm, SMD0805, 2A, 0R	Koa Speer RK73Z2ATTD
R411	Resistor, thinfilm, SMD0805, 0.1W, 75V, 100ppm, 1.20K, 1%	Koa Speer RN732ATTD1201F100
R412	Resistor, thinfilm, SMD0805, 0.1W, 75V, 100ppm, 100K, 1%	Koa Speer RN732ATTD1003F100
R413	Resistor, thinfilm, SMD0805, 0.1W, 75V, 100ppm, 1.50K, 1%	Koa Speer RN732ATTD1501F100
R500	Resistor, thinfilm, SMD0805, 0.1W, 75V, 100ppm, 49.9R, 1%	Koa Speer RN732ATTD49R9F100
R501	Resistor, thinfilm, SMD0805, 0.1W, 75V, 100ppm, 49.9R, 1%	Koa Speer RN732ATTD49R9F100
R502	Resistor, thinfilm, SMD0805, 0.1W, 75V, 100ppm, 49.9R, 1%	Koa Speer RN732ATTD49R9F100
R503	Resistor, thinfilm, SMD0805, 0.1W, 75V, 100ppm, 49.9R, 1%	Koa Speer RN732ATTD49R9F100
R504	Resistor, thinfilm, SMD0805, 0.1W, 75V, 100ppm, 49.9R, 1%	Koa Speer RN732ATTD49R9F100
R505	Resistor, thinfilm, SMD0805, 0.1W, 75V, 100ppm, 49.9R, 1%	Koa Speer RN732ATTD49R9F100
R506	Resistor, thinfilm, SMD0805, 0.1W, 75V, 100ppm, 49.9R, 1%	Koa Speer RN732ATTD49R9F100
R507	Resistor, thinfilm, SMD0805, 0.1W, 75V, 100ppm, 49.9R, 1%	Koa Speer RN732ATTD49R9F100
R508	Resistor, thinfilm, SMD0805, 0.1W, 75V, 100ppm, 49.9R, 1%	Koa Speer RN732ATTD49R9F100
R509	Resistor, thinfilm, SMD0805, 0.1W, 75V, 100ppm, 49.9R, 1%	Koa Speer RN732ATTD49R9F100
R510	Resistor, thinfilm, SMD0805, 0.1W, 75V, 100ppm, 49.9R, 1%	Koa Speer RN732ATTD49R9F100
R511	Resistor, thinfilm, SMD0805, 0.1W, 75V, 100ppm, 49.9R, 1%	Koa Speer RN732ATTD49R9F100
U200_AUX1	IC, OP-AMP, dual, audio, 5V-36V, 2.7nV noise, SOIC-8 case, LM4562MA	National LM4562MA/NOPB
U200_AUX2	IC, OP-AMP, dual, audio, 5V-36V, 2.7nV noise, SOIC-8 case, LM4562MA	National LM4562MA/NOPB
U200_C	IC, OP-AMP, dual, audio, 5V-36V, 2.7nV noise, SOIC-8 case, LM4562MA	National LM4562MA/NOPB
U200_FL	IC, OP-AMP, dual, audio, 5V-36V, 2.7nV noise, SOIC-8 case, LM4562MA	National LM4562MA/NOPB
U200_FR	IC, OP-AMP, dual, audio, 5V-36V, 2.7nV noise, SOIC-8 case, LM4562MA	National LM4562MA/NOPB
U200_SBL	IC, OP-AMP, dual, audio, 5V-36V, 2.7nV noise, SOIC-8 case, LM4562MA	National LM4562MA/NOPB
U200_SBR	IC, OP-AMP, dual, audio, 5V-36V, 2.7nV noise, SOIC-8 case, LM4562MA	National LM4562MA/NOPB
U200_SL	IC, OP-AMP, dual, audio, 5V-36V, 2.7nV noise, SOIC-8 case, LM4562MA	National LM4562MA/NOPB
U200_SR	IC, OP-AMP, dual, audio, 5V-36V, 2.7nV noise, SOIC-8 case, LM4562MA	National LM4562MA/NOPB
U300	IC, OP-AMP, dual, audio, 5V-36V, 2.7nV noise, SOIC-8 case, LM4562MA	National LM4562MA/NOPB
U400	IC, OP-AMP, dual, audio, 5V-36V, 2.7nV noise, SOIC-8 case, LM4562MA	National LM4562MA/NOPB

OUT BOTTOM PCB 320355 (IO22)

Ref. No.	Description	AVL
C100	Capacitor, SMD0603, NP0, 22pF, 50V, 10%	AVX 06035A220KAT2A
C101	Capacitor, SMD0805, X7R, 10nF, 50V, 20%	AVX 08055C103MAT2A
C102	Capacitor, SMD0805, X7R, 10nF, 50V, 20%	AVX 08055C103MAT2A
C103	Capacitor, SMD0805, X7R, 10nF, 50V, 20%	AVX 08055C103MAT2A
C104	Capacitor, SMD0603, NP0, 22pF, 50V, 10%	AVX 06035A220KAT2A
C105	Capacitor, SMD0603, NP0, 22pF, 50V, 10%	AVX 06035A220KAT2A
C106	Capacitor, SMD0603, NP0, 22pF, 50V, 10%	AVX 06035A220KAT2A
C107	Capacitor, SMD0603, NP0, 22pF, 50V, 10%	AVX 06035A220KAT2A
C108	Capacitor, SMD0603, NP0, 22pF, 50V, 10%	AVX 06035A220KAT2A
C109	Capacitor, SMD0603, NP0, 22pF, 50V, 10%	AVX 06035A220KAT2A
C110	Capacitor, SMD0603, NP0, 22pF, 50V, 10%	AVX 06035A220KAT2A
C111	Capacitor, SMD0603, NP0, 22pF, 50V, 10%	AVX 06035A220KAT2A
C112	Capacitor, SMD0603, NP0, 22pF, 50V, 10%	AVX 06035A220KAT2A
C113	Capacitor, SMD0603, NP0, 22pF, 50V, 10%	AVX 06035A220KAT2A
C114	Capacitor, SMD0603, NP0, 22pF, 50V, 10%	AVX 06035A220KAT2A
C200_DAC1	Capacitor, SMD0805, NP0, 2.7nF, 50V, 2%	AVX 08055A272GAT2A
C200_DAC2	Capacitor, SMD0805, NP0, 2.7nF, 50V, 2%	AVX 08055A272GAT2A
C200_DAC3	Capacitor, SMD0805, NP0, 2.7nF, 50V, 2%	AVX 08055A272GAT2A
C200_DAC4	Capacitor, SMD0805, NP0, 2.7nF, 50V, 2%	AVX 08055A272GAT2A
C200_DAC5	Capacitor, SMD0805, NP0, 2.7nF, 50V, 2%	AVX 08055A272GAT2A

PARTS LIST (Cont'd.)

OUT BOTTOM PCB 320355 (IO22) (Cont'd.)

Ref. No.	Description	AVL
C236_DAC6	Capacitor, SMD 5.0x5.4mm, AL, 2000hrs, 85C, 47uF, 16V, 20%	Nichicon UWR1C470MCL1GB
C237_DAC1	Capacitor, SMD 5.0x5.4mm, AL, 2000hrs, 85C, 47uF, 16V, 20%	Nichicon UWR1C470MCL1GB
C237_DAC2	Capacitor, SMD 5.0x5.4mm, AL, 2000hrs, 85C, 47uF, 16V, 20%	Nichicon UWR1C470MCL1GB
C237_DAC3	Capacitor, SMD 5.0x5.4mm, AL, 2000hrs, 85C, 47uF, 16V, 20%	Nichicon UWR1C470MCL1GB
C237_DAC4	Capacitor, SMD 5.0x5.4mm, AL, 2000hrs, 85C, 47uF, 16V, 20%	Nichicon UWR1C470MCL1GB
C237_DAC5	Capacitor, SMD 5.0x5.4mm, AL, 2000hrs, 85C, 47uF, 16V, 20%	Nichicon UWR1C470MCL1GB
C237_DAC6	Capacitor, SMD 5.0x5.4mm, AL, 2000hrs, 85C, 47uF, 16V, 20%	Nichicon UWR1C470MCL1GB
C238_DAC1	Capacitor, SMD 5.0x5.4mm, AL, 2000hrs, 85C, 47uF, 16V, 20%	Nichicon UWR1C470MCL1GB
C238_DAC2	Capacitor, SMD 5.0x5.4mm, AL, 2000hrs, 85C, 47uF, 16V, 20%	Nichicon UWR1C470MCL1GB
C238_DAC3	Capacitor, SMD 5.0x5.4mm, AL, 2000hrs, 85C, 47uF, 16V, 20%	Nichicon UWR1C470MCL1GB
C238_DAC4	Capacitor, SMD 5.0x5.4mm, AL, 2000hrs, 85C, 47uF, 16V, 20%	Nichicon UWR1C470MCL1GB
C238_DAC5	Capacitor, SMD 5.0x5.4mm, AL, 2000hrs, 85C, 47uF, 16V, 20%	Nichicon UWR1C470MCL1GB
C238_DAC6	Capacitor, SMD 5.0x5.4mm, AL, 2000hrs, 85C, 47uF, 16V, 20%	Nichicon UWR1C470MCL1GB
C239_DAC1	Capacitor, SMD 4.3x5.4mm, AL, 2000hrs, 85C, 47uF, 6.3V, 20%	Nichicon UWR0J470MCL1GB
C239_DAC2	Capacitor, SMD 4.3x5.4mm, AL, 2000hrs, 85C, 47uF, 6.3V, 20%	Nichicon UWR0J470MCL1GB
C239_DAC3	Capacitor, SMD 4.3x5.4mm, AL, 2000hrs, 85C, 47uF, 6.3V, 20%	Nichicon UWR0J470MCL1GB
C239_DAC4	Capacitor, SMD 4.3x5.4mm, AL, 2000hrs, 85C, 47uF, 6.3V, 20%	Nichicon UWR0J470MCL1GB
C239_DAC5	Capacitor, SMD 4.3x5.4mm, AL, 2000hrs, 85C, 47uF, 6.3V, 20%	Nichicon UWR0J470MCL1GB
C239_DAC6	Capacitor, SMD 4.3x5.4mm, AL, 2000hrs, 85C, 47uF, 6.3V, 20%	Nichicon UWR0J470MCL1GB
C240_DAC1	Capacitor, SMD0603, X7R, 100nF, 25V, 20%	AVX 06033C104MAT2A
C240_DAC2	Capacitor, SMD0603, X7R, 100nF, 25V, 20%	AVX 06033C104MAT2A
C240_DAC3	Capacitor, SMD0603, X7R, 100nF, 25V, 20%	AVX 06033C104MAT2A
C240_DAC4	Capacitor, SMD0603, X7R, 100nF, 25V, 20%	AVX 06033C104MAT2A
C240_DAC5	Capacitor, SMD0603, X7R, 100nF, 25V, 20%	AVX 06033C104MAT2A
C240_DAC6	Capacitor, SMD0603, X7R, 100nF, 25V, 20%	AVX 06033C104MAT2A
C241_DAC1	Capacitor, SMD0603, X7R, 100nF, 25V, 20%	AVX 06033C104MAT2A
C241_DAC2	Capacitor, SMD0603, X7R, 100nF, 25V, 20%	AVX 06033C104MAT2A
C241_DAC3	Capacitor, SMD0603, X7R, 100nF, 25V, 20%	AVX 06033C104MAT2A
C241_DAC4	Capacitor, SMD0603, X7R, 100nF, 25V, 20%	AVX 06033C104MAT2A
C241_DAC5	Capacitor, SMD0603, X7R, 100nF, 25V, 20%	AVX 06033C104MAT2A
C241_DAC6	Capacitor, SMD0603, X7R, 100nF, 25V, 20%	AVX 06033C104MAT2A
C502	Capacitor, SMD0603, NP0, 100pF, 50V, 10%	AVX 06035A101KAT2A
C503	Capacitor, SMD0603, NP0, 100pF, 50V, 10%	AVX 06035A101KAT2A
C504	Capacitor, SMD0603, NP0, 100pF, 50V, 10%	AVX 06035A101KAT2A
C505	Capacitor, SMD0603, NP0, 100pF, 50V, 10%	AVX 06035A101KAT2A
C506	Capacitor, SMD0603, NP0, 100pF, 50V, 10%	AVX 06035A101KAT2A
C507	Capacitor, SMD0603, NP0, 100pF, 50V, 10%	AVX 06035A101KAT2A
C510	Capacitor, SMD0603, NP0, 100pF, 50V, 10%	AVX 06035A101KAT2A
C511	Capacitor, SMD0603, NP0, 100pF, 50V, 10%	AVX 06035A101KAT2A
C512	Capacitor, SMD0603, NP0, 100pF, 50V, 10%	AVX 06035A101KAT2A
C513	Capacitor, SMD0603, NP0, 100pF, 50V, 10%	AVX 06035A101KAT2A
C514	Capacitor, SMD0603, NP0, 100pF, 50V, 10%	AVX 06035A101KAT2A
C515	Capacitor, SMD0603, NP0, 100pF, 50V, 10%	AVX 06035A101KAT2A
C516	Capacitor, SMD0603, NP0, 100pF, 50V, 10%	AVX 06035A101KAT2A
C517	Capacitor, SMD0603, NP0, 100pF, 50V, 10%	AVX 06035A101KAT2A
C520	Capacitor, SMD0603, NP0, 100pF, 50V, 10%	AVX 06035A101KAT2A
C521	Capacitor, SMD0603, NP0, 100pF, 50V, 10%	AVX 06035A101KAT2A
C522	Capacitor, SMD0603, NP0, 100pF, 50V, 10%	AVX 06035A101KAT2A
C523	Capacitor, SMD0603, NP0, 100pF, 50V, 10%	AVX 06035A101KAT2A
C600	Capacitor, SMD0603, X7R, 100nF, 25V, 20%	AVX 06033C104MAT2A
C601	Capacitor, SMD0603, X7R, 100nF, 25V, 20%	AVX 06033C104MAT2A
C602	Capacitor, SMD1206, X7R, 10uF, 10V, 20%	AVX 1206ZC106MAT2A
C603	Capacitor, SMD1206, X7R, 10uF, 10V, 20%	AVX 1206ZC106MAT2A
C604	Capacitor, SMD0603, X7R, 100nF, 25V, 20%	AVX 06033C104MAT2A
C605	Capacitor, SMD0603, X7R, 100nF, 25V, 20%	AVX 06033C104MAT2A
C606	Capacitor, SMD0603, X7R, 100nF, 25V, 20%	AVX 06033C104MAT2A
C607	Capacitor, SMD0603, X7R, 100nF, 25V, 20%	AVX 06033C104MAT2A
D600	Diode, rectifier, single, SMD, 1000V, 1A, DO R121	Resistor, thickfilm, SMD0603, 1A, 0R Venkel CR0603-10W-000
H206_DAC1	Heatsink, SMD solder to PCB, TO-252 (D-PAK) case, 25K/W, 20x8.1x9.9mm	Assmann V-1100-SMD/B
H206_DAC2	Heatsink, SMD solder to PCB, TO-252 (D-PAK) case, 25K/W, 20x8.1x9.9mm	Assmann V-1100-SMD/B
H206_DAC3	Heatsink, SMD solder to PCB, TO-252 (D-PAK) case, 25K/W, 20x8.1x9.9mm	Assmann V-1100-SMD/B
H206_DAC4	Heatsink, SMD solder to PCB, TO-252 (D-PAK) case, 25K/W, 20x8.1x9.9mm	Assmann V-1100-SMD/B
H206_DAC5	Heatsink, SMD solder to PCB, TO-252 (D-PAK) case, 25K/W, 20x8.1x9.9mm	Assmann V-1100-SMD/B
H206_DAC6	Heatsink, SMD solder to PCB, TO-252 (D-PAK) case, 25K/W, 20x8.1x9.9mm	Assmann V-1100-SMD/B
H600	Testpoint, SMD, keystone 5015	Keystone 5015
H601	Testpoint, SMD, keystone 5015	Keystone 5015
H602	Testpoint, SMD, keystone 5015	Keystone 5015
J100	Connector, box, no latches, TH, DIL 100mil, 26-way, male, angled, gold	3M N2526-5002RB
J101	Connector, box, no latches, TH, DIL 100mil, 26-way, male, angled, gold	3M N2526-5002RB
J102	Connector, box, no latches, TH, DIL 100mil, 26-way, male, angled, gold	3M N2526-5002RB
J103	Conn., pinrow, stt, 2.54mm pitch, 0.64mm sq pin, PCB, TH,male, 5.84mm head, 3.05mm tail, gold, 1x2-way	Sullins PBC02SAAN

PARTS LIST (Cont'd.)

OUT BOTTOM PCB 320355 (IO22) (Cont'd.)

Ref. No.	Description	AVL
J104	Connector, pinrow, straight, 2.54mm pitch, 0.64mm sq pin, PCB, TH,male,overall 30mm, 6mm head, 3mm tail, 30mm stackingheight, gold, 2x13-way	Oupiin 2012-2X13G00S/3/6/30
J105	Connector, pinrow, straight, 2.54mm pitch, 0.64mm sq pin, PCB, TH,male,overall 30mm, 6mm head, 3mm tail, 30mm stackingheight, gold, 2x13-way	Oupiin 2012-2X13G00S/3/6/30
J106	Connector, pinrow, straight, 2.54mm pitch, 0.64mm sq pin, PCB, TH,male,boardstacking, Overall 30mm, 6mm head, 3mm tail, 30mm stackingheight, gold, 2x7-way	Oupiin 2012-2X07G00S/3/6/30
J107	Connector, pinrow, straight, 2.54mm pitch, 0.64mm sq pin, PCB, TH,male,boardstacking, Overall 30mm, 6mm head, 3mm tail, 30mm stackingheight, gold, 2x7-way	Oupiin 2012-2X07G00S/3/6/30
J501	Connector, RCA, female, PCB, TH, angled, 1x2-way, 14x14mm spacing, gold, upper blk, lower blk, separate grounds	Jalco YKC21-3729NV
J502	Conn., RCA, female, PCB, TH, angled, 2x2-way, 14x14mm spacing, gold, upper blk-blk, lower blk-blk, separate grounds	Jalco YKC21-3385
J503	Conn., RCA, female, PCB, TH, angled, 2x2-way, 14x14mm spacing, gold, upper blk-blk, lower blk-blk, separate grounds	Jalco YKC21-3385
J504	Connector, XLR, 3-way, male, PCB, TH, angled, NC3MBH	Neutric NC3MBH
J505	Connector, XLR, 3-way, male, PCB, TH, angled, NC3MBH	Neutric NC3MBH
J506	Connector, XLR, 3-way, male, PCB, TH, angled, NC3MBH	Neutric NC3MBH
J507	Connector, XLR, 3-way, male, PCB, TH, angled, NC3MBH	Neutric NC3MBH
J600	Conn., pinrow, straight, 2.54mm pitch, 0.64mm sq pin, PCB, TH,male, 5.84mm head, 3.05mm tail, gold, 1x2-way	Sullins PBC02SAAN
J601	Conn., pinrow, straight, 2.54mm pitch, 0.64mm sq pin, PCB, TH,male, 5.84mm head, 3.05mm tail, gold, 1x2-way	Sullins PBC02SAAN
J602	Conn., pinrow, straight, 2.54mm pitch, 0.64mm sq pin, PCB, TH,male, 5.84mm head, 3.05mm tail, gold, 1x2-way	Sullins PBC02SAAN
J601a	Shunt, Black, 2.54mm pitch, 2 ways, 1 row, contact gold	Oupiin 2006-B-B
R100	Resistor, thickfilm, SMD0603, 0.1W, 50V, 100ppm, 10.0R, 1%	Phycomp 2322 704 61009L
R101	Resistor, thickfilm, SMD0603, 0.1W, 50V, 100ppm, 10.0R, 1%	Phycomp 2322 704 61009L
R102	Resistor, thickfilm, SMD0603, 0.1W, 50V, 100ppm, 10.0R, 1%	Phycomp 2322 704 61009L
R103	Resistor, thickfilm, SMD0603, 0.1W, 50V, 100ppm, 10.0R, 1%	Phycomp 2322 704 61009L
R104	Resistor, thickfilm, SMD0603, 0.1W, 50V, 100ppm, 10.0R, 1%	Phycomp 2322 704 61009L
R105	Resistor, thickfilm, SMD0603, 0.1W, 50V, 100ppm, 10.0R, 1%	Phycomp 2322 704 61009L
R106	Resistor, thickfilm, SMD0603, 0.1W, 50V, 100ppm, 10.0R, 1%	Phycomp 2322 704 61009L
R107	Resistor, thickfilm, SMD0603, 0.1W, 50V, 100ppm, 10.0R, 1%	Phycomp 2322 704 61009L
R108	Resistor, thickfilm, SMD0603, 0.1W, 50V, 100ppm, 10.0R, 1%	Phycomp 2322 704 61009L
R109	Resistor, thickfilm, SMD0603, 0.1W, 50V, 100ppm, 10.0R, 1%	Phycomp 2322 704 61009L
R110	Resistor, thickfilm, SMD0603, 0.1W, 50V, 100ppm, 4.70K, 1%	Phycomp 2322 704 64702L
R111	Resistor, thickfilm, SMD0603, 0.1W, 50V, 100ppm, 4.70K, 1%	Phycomp 2322 704 64702L
R112	Resistor, thickfilm, SMD0603, 0.1W, 50V, 100ppm, 4.70K, 1%	Phycomp 2322 704 64702L
R113	Resistor, thickfilm, SMD0603, 0.1W, 50V, 100ppm, 4.70K, 1%	Phycomp 2322 704 64702L
R114	Resistor, thickfilm, SMD0603, 0.1W, 50V, 100ppm, 4.70K, 1%	Phycomp 2322 704 64702L
R115	Resistor, thickfilm, SMD0603, 0.1W, 50V, 100ppm, 4.70K, 1%	Phycomp 2322 704 64702L
R116	Resistor, thickfilm, SMD0603, 0.1W, 50V, 100ppm, 4.70K, 1%	Phycomp 2322 704 64702L
R117	Resistor, thickfilm, SMD0603, 0.1W, 50V, 100ppm, 4.70K, 1%	Phycomp 2322 704 64702L
R118	Resistor, thickfilm, SMD0603, 0.1W, 50V, 100ppm, 4.70K, 1%	Phycomp 2322 704 64702L
R119	Resistor, thickfilm, SMD0603, 0.1W, 50V, 100ppm, 10.0R, 1%	Phycomp 2322 704 61009L
R120	Resistor, thickfilm, SMD0603, 0.1W, 50V, 100ppm, 10.0R, 1%	Phycomp 2322 704 61009L
R200_DAC1	Resistor, thinfilm, SMD0805, 0.1W, 75V, 100ppm, 360R, 1%	Koa Speer RN732ATTD3600F100
R200_DAC2	Resistor, thinfilm, SMD0805, 0.1W, 75V, 100ppm, 360R, 1%	Koa Speer RN732ATTD3600F100
R200_DAC3	Resistor, thinfilm, SMD0805, 0.1W, 75V, 100ppm, 360R, 1%	Koa Speer RN732ATTD3600F100
R200_DAC4	Resistor, thinfilm, SMD0805, 0.1W, 75V, 100ppm, 360R, 1%	Koa Speer RN732ATTD3600F100
R200_DAC5	Resistor, thinfilm, SMD0805, 0.1W, 75V, 100ppm, 360R, 1%	Koa Speer RN732ATTD3600F100
R200_DAC6	Resistor, thinfilm, SMD0805, 0.1W, 75V, 100ppm, 360R, 1%	Koa Speer RN732ATTD3600F100
R201_DAC1	Resistor, thickfilm, SMD0603, 1A, 0R	Venkel CR0603-10W-000
R201_DAC2	Resistor, thickfilm, SMD0603, 1A, 0R	Venkel CR0603-10W-000
R201_DAC3	Resistor, thickfilm, SMD0603, 1A, 0R	Venkel CR0603-10W-000
R201_DAC4	Resistor, thickfilm, SMD0603, 1A, 0R	Venkel CR0603-10W-000
R201_DAC5	Resistor, thickfilm, SMD0603, 1A, 0R	Venkel CR0603-10W-000
R201_DAC6	Resistor, thickfilm, SMD0603, 1A, 0R	Venkel CR0603-10W-000
R202_DAC1	Resistor, thinfilm, SMD0805, 0.1W, 75V, 100ppm, 360R, 1%	Koa Speer RN732ATTD3600F100
R202_DAC2	Resistor, thinfilm, SMD0805, 0.1W, 75V, 100ppm, 360R, 1%	Koa Speer RN732ATTD3600F100
R202_DAC3	Resistor, thinfilm, SMD0805, 0.1W, 75V, 100ppm, 360R, 1%	Koa Speer RN732ATTD3600F100
R202_DAC4	Resistor, thinfilm, SMD0805, 0.1W, 75V, 100ppm, 360R, 1%	Koa Speer RN732ATTD3600F100
R202_DAC5	Resistor, thinfilm, SMD0805, 0.1W, 75V, 100ppm, 360R, 1%	Koa Speer RN732ATTD3600F100
R202_DAC6	Resistor, thinfilm, SMD0805, 0.1W, 75V, 100ppm, 360R, 1%	Koa Speer RN732ATTD3600F100
R203_DAC1	Resistor, thickfilm, SMD0603, 1A, 0R	Venkel CR0603-10W-000
R203_DAC2	Resistor, thickfilm, SMD0603, 1A, 0R	Venkel CR0603-10W-000
R203_DAC3	Resistor, thickfilm, SMD0603, 1A, 0R	Venkel CR0603-10W-000
R203_DAC4	Resistor, thickfilm, SMD0603, 1A, 0R	Venkel CR0603-10W-000
R203_DAC5	Resistor, thickfilm, SMD0603, 1A, 0R	Venkel CR0603-10W-000
R203_DAC6	Resistor, thickfilm, SMD0603, 1A, 0R	Venkel CR0603-10W-000
R204_DAC1	Resistor, thickfilm, SMD0603, 0.1W, 50V, 100ppm, 10.0R, 1%	Phycomp 2322 704 61009L
R204_DAC2	Resistor, thickfilm, SMD0603, 0.1W, 50V, 100ppm, 10.0R, 1%	Phycomp 2322 704 61009L
R204_DAC3	Resistor, thickfilm, SMD0603, 0.1W, 50V, 100ppm, 10.0R, 1%	Phycomp 2322 704 61009L
R204_DAC4	Resistor, thickfilm, SMD0603, 0.1W, 50V, 100ppm, 10.0R, 1%	Phycomp 2322 704 61009L
R204_DAC5	Resistor, thickfilm, SMD0603, 0.1W, 50V, 100ppm, 10.0R, 1%	Phycomp 2322 704 61009L
R204_DAC6	Resistor, thickfilm, SMD0603, 0.1W, 50V, 100ppm, 10.0R, 1%	Phycomp 2322 704 61009L
R205_DAC1	Resistor, thinfilm, SMD0805, 0.1W, 75V, 100ppm, 1.96K, 1%	Koa Speer RN732ATTD1961F100
R205_DAC2	Resistor, thinfilm, SMD0805, 0.1W, 75V, 100ppm, 1.96K, 1%	Koa Speer RN732ATTD1961F100

PARTS LIST (Cont'd.)

OUT BOTTOM PCB 320355 (IO22) (Cont'd.)

Ref. No.	Description	AVL
R515	Resistor, thinfilm, SMD0805, 0.1W, 75V, 100ppm, 49.9R, 1%	Koa Speer RN732ATTD49R9F100
R514	Resistor, thinfilm, SMD0805, 0.1W, 75V, 100ppm, 75.0R, 1%	Koa Speer RN732ATTD75R0F100
R516	Resistor, thinfilm, SMD0805, 0.1W, 75V, 100ppm, 75.0R, 1%	Koa Speer RN732ATTD75R0F100
R517	Resistor, thinfilm, SMD0805, 0.1W, 75V, 100ppm, 49.9R, 1%	Koa Speer RN732ATTD49R9F100
R600	Resistor, thickfilm, SMD0603, 0.1W, 50V, 100ppm, 5.90K, 1%	Koa Speer RK73H1JTTD5901F
R601	Resistor, thickfilm, SMD0603, 0.1W, 50V, 100ppm, 470R, 1%	Koa Speer RK73H1JTTD4700F
R602	Resistor, thickfilm, SMD0603, 0.1W, 50V, 100ppm, 3.09K, 1%	Koa Speer RK73H1JTTD3091F
R603	Resistor, thickfilm, SMD0603, 0.1W, 50V, 100ppm, 1.00K, 1%	Phycomp 2322 704 61002L
R604	Resistor, thickfilm, SMD0603, 0.1W, 50V, 100ppm, 8.06K, 1%	Koa Speer RK73H1JTTD8061F
R605	Resistor, thickfilm, SMD0603, 0.1W, 50V, 100ppm, 1.00K, 1%	Phycomp 2322 704 61002L
R606	Resistor, thickfilm, SMD0603, 0.1W, 50V, 100ppm, 1.20K, 1%	Koa Speer RK73H1JTTD1201F
R607	Resistor, thickfilm, SMD0603, 0.1W, 50V, 100ppm, 100R, 1%	Phycomp 2322 704 61001L
R608	Resistor, thickfilm, SMD0603, 0.1W, 50V, 100ppm, 2.70K, 1%	Koa Speer RK73H1JTTD2701F
R609	Resistor, thickfilm, SMD0603, 0.1W, 50V, 100ppm, 1.20K, 1%	Koa Speer RK73H1JTTD1201F
R610	Resistor, thickfilm, SMD0603, 0.1W, 50V, 100ppm, 1.00K, 1%	Phycomp 2322 704 61002L
R611	Resistor, thickfilm, SMD0603, 0.1W, 50V, 100ppm, 4.70K, 1%	Phycomp 2322 704 64702L
R612	Resistor, thickfilm, SMD0603, 0.1W, 50V, 100ppm, 4.70K, 1%	Phycomp 2322 704 64702L
R613	Resistor, thickfilm, SMD0603, 0.1W, 50V, 100ppm, 5.90K, 1%	Koa Speer RK73H1JTTD5901F
R614	Resistor, thickfilm, SMD0603, 0.1W, 50V, 100ppm, 5.90K, 1%	Koa Speer RK73H1JTTD5901F
R615	Resistor, thickfilm, SMD0603, 0.1W, 50V, 100ppm, 5.90K, 1%	Koa Speer RK73H1JTTD5901F
R616	Resistor, thickfilm, SMD0603, 0.1W, 50V, 100ppm, 1.00K, 1%	Phycomp 2322 704 61002L
R617	Resistor, thickfilm, SMD0603, 1A, 0R	Venkel CR0603-10W-000
R618	Resistor, thickfilm, SMD0603, 0.1W, 50V, 100ppm, 10.0R, 1%	Phycomp 2322 704 61009L
R619	Resistor, thickfilm, SMD0603, 1A, 0R	Venkel CR0603-10W-000
R620	Resistor, thickfilm, SMD0603, 0.1W, 50V, 100ppm, 10.0R, 1%	Phycomp 2322 704 61009L
R622	Resistor, thickfilm, SMD0603, 0.1W, 50V, 100ppm, 10.0R, 1%	Phycomp 2322 704 61009L
R623	Resistor, thickfilm, SMD0603, 1A, 0R	Venkel CR0603-10W-000
R624	Resistor, thickfilm, SMD0603, 0.1W, 50V, 100ppm, 4.70K, 1%	Phycomp 2322 704 64702L
Q600	Transistor, NPN, SMD SOT-23 case, 20V, 6A, 130mV Vce-sat @ 2.5A, FMMT618	Zetex FMMT618
U200_DAC1	IC, OP-AMP, dual, audio, 6V-40V, 5nV noise, SOIC-8 case, NE5532AD	Texas Instruments NE5532AD
U200_DAC2	IC, OP-AMP, dual, audio, 6V-40V, 5nV noise, SOIC-8 case, NE5532AD	Texas Instruments NE5532AD
U200_DAC3	IC, OP-AMP, dual, audio, 6V-40V, 5nV noise, SOIC-8 case, NE5532AD	Texas Instruments NE5532AD
U200_DAC4	IC, OP-AMP, dual, audio, 6V-40V, 5nV noise, SOIC-8 case, NE5532AD	Texas Instruments NE5532AD
U200_DAC5	IC, OP-AMP, dual, audio, 6V-40V, 5nV noise, SOIC-8 case, NE5532AD	Texas Instruments NE5532AD
U200_DAC6	IC, OP-AMP, dual, audio, 6V-40V, 5nV noise, SOIC-8 case, NE5532AD	Texas Instruments NE5532AD
U201_DAC1	IC, 24bit 192KHz stereo audio DAC, software controlled, PCM1796A	Texas Instruments PCM1796DB
U201_DAC2	IC, 24bit 192KHz stereo audio DAC, software controlled, PCM1796A	Texas Instruments PCM1796DB
U201_DAC3	IC, 24bit 192KHz stereo audio DAC, software controlled, PCM1796A	Texas Instruments PCM1796DB
U201_DAC4	IC, 24bit 192KHz stereo audio DAC, software controlled, PCM1796A	Texas Instruments PCM1796DB
U201_DAC5	IC, 24bit 192KHz stereo audio DAC, software controlled, PCM1796A	Texas Instruments PCM1796DB
U201_DAC6	IC, 24bit 192KHz stereo audio DAC, software controlled, PCM1796A	Texas Instruments PCM1796DB
U203_DAC1	IC, OP-AMP, dual, audio, 6V-40V, 5nV noise, SOIC-8 case, NE5532AD	Texas Instruments NE5532AD
U203_DAC2	IC, OP-AMP, dual, audio, 6V-40V, 5nV noise, SOIC-8 case, NE5532AD	Texas Instruments NE5532AD
U203_DAC3	IC, OP-AMP, dual, audio, 6V-40V, 5nV noise, SOIC-8 case, NE5532AD	Texas Instruments NE5532AD
U203_DAC4	IC, OP-AMP, dual, audio, 6V-40V, 5nV noise, SOIC-8 case, NE5532AD	Texas Instruments NE5532AD
U203_DAC5	IC, OP-AMP, dual, audio, 6V-40V, 5nV noise, SOIC-8 case, NE5532AD	Texas Instruments NE5532AD
U203_DAC6	IC, OP-AMP, dual, audio, 6V-40V, 5nV noise, SOIC-8 case, NE5532AD	Texas Instruments NE5532AD
U202_DAC1	IC, OP-AMP, single, audio, 6V-40V, 5nV noise, SOIC-8 case, NE5534AD	Texas Instruments NE5534AD
U202_DAC2	IC, OP-AMP, single, audio, 6V-40V, 5nV noise, SOIC-8 case, NE5534AD	Texas Instruments NE5534AD
U202_DAC3	IC, OP-AMP, single, audio, 6V-40V, 5nV noise, SOIC-8 case, NE5534AD	Texas Instruments NE5534AD
U202_DAC4	IC, OP-AMP, single, audio, 6V-40V, 5nV noise, SOIC-8 case, NE5534AD	Texas Instruments NE5534AD
U202_DAC5	IC, OP-AMP, single, audio, 6V-40V, 5nV noise, SOIC-8 case, NE5534AD	Texas Instruments NE5534AD
U202_DAC6	IC, OP-AMP, single, audio, 6V-40V, 5nV noise, SOIC-8 case, NE5534AD	Texas Instruments NE5534AD
U204_DAC1	IC, OP-AMP, single, audio, 6V-40V, 5nV noise, SOIC-8 case, NE5534AD	Texas Instruments NE5534AD
U204_DAC2	IC, OP-AMP, single, audio, 6V-40V, 5nV noise, SOIC-8 case, NE5534AD	Texas Instruments NE5534AD
U204_DAC3	IC, OP-AMP, single, audio, 6V-40V, 5nV noise, SOIC-8 case, NE5534AD	Texas Instruments NE5534AD
U204_DAC4	IC, OP-AMP, single, audio, 6V-40V, 5nV noise, SOIC-8 case, NE5534AD	Texas Instruments NE5534AD
U204_DAC5	IC, OP-AMP, single, audio, 6V-40V, 5nV noise, SOIC-8 case, NE5534AD	Texas Instruments NE5534AD
U204_DAC6	IC, OP-AMP, single, audio, 6V-40V, 5nV noise, SOIC-8 case, NE5534AD	Texas Instruments NE5534AD
U206_DAC1	IC, voltage regulator, 5V, 5%, 0.5A, 35V in, D-PAK case, MC78M05CDT	Motorola MC78M05CDT
U206_DAC2	IC, voltage regulator, 5V, 5%, 0.5A, 35V in, D-PAK case, MC78M05CDT	Motorola MC78M05CDT
U206_DAC3	IC, voltage regulator, 5V, 5%, 0.5A, 35V in, D-PAK case, MC78M05CDT	Motorola MC78M05CDT
U206_DAC4	IC, voltage regulator, 5V, 5%, 0.5A, 35V in, D-PAK case, MC78M05CDT	Motorola MC78M05CDT
U206_DAC5	IC, voltage regulator, 5V, 5%, 0.5A, 35V in, D-PAK case, MC78M05CDT	Motorola MC78M05CDT
U206_DAC6	IC, voltage regulator, 5V, 5%, 0.5A, 35V in, D-PAK case, MC78M05CDT	Motorola MC78M05CDT
U205_DAC1	IC, voltage regulator, LDO, low noise, 3.3V, 4%, 0.15A, 16V in, SOT-23-5 case, LP2985IM5-3.3	National LP2985IM5-3.3/NOPB
U205_DAC2	IC, voltage regulator, LDO, low noise, 3.3V, 4%, 0.15A, 16V in, SOT-23-5 case, LP2985IM5-3.3	National LP2985IM5-3.3/NOPB
U205_DAC3	IC, voltage regulator, LDO, low noise, 3.3V, 4%, 0.15A, 16V in, SOT-23-5 case, LP2985IM5-3.3	National LP2985IM5-3.3/NOPB
U205_DAC4	IC, voltage regulator, LDO, low noise, 3.3V, 4%, 0.15A, 16V in, SOT-23-5 case, LP2985IM5-3.3	National LP2985IM5-3.3/NOPB
U205_DAC5	IC, voltage regulator, LDO, low noise, 3.3V, 4%, 0.15A, 16V in, SOT-23-5 case, LP2985IM5-3.3	National LP2985IM5-3.3/NOPB
U205_DAC6	IC, voltage regulator, LDO, low noise, 3.3V, 4%, 0.15A, 16V in, SOT-23-5 case, LP2985IM5-3.3	National LP2985IM5-3.3/NOPB
U602	IC, COMPARATOR, SINGLE, NANOPOWER, ADM1816-10ARTZ	Analog Devices ADM1816-10ARTZ

PARTS LIST (Cont'd.)

12 OUT BOTTOM PCB 320355 (IO22) (Cont'd.)

Ref. No.	Description
U603	IC, COMPARATOR, SINGLE, NANOPower,ADM1816-10ARTZ
U600	IC, logic, HCT series, AND, 2 input, quad, 5V, 12nS, SOIC-14 case, MM74HCT08M
U601	IC, Op-Amp, dual GP, LM358D
S104O	Standoff, M3x30, hex, f-f
S104S	Screw, M3x10TF, Round TX Zn
S105O	Standoff, M3x30, hex, f-f
S105S	Screw, M3x10TF, Round TX Zn
S106O	Standoff, M3x30, hex, f-f
S106S	Screw, M3x10TF, Round TX Zn
S107O	Standoff, M3x30, hex, f-f
S107S	Screw, M3x10TF, Round TX Zn
S108O	Standoff, M3x30, hex, f-f
S108S	Screw, M3x10TF, Round TX Zn

AVL

Analog Devices ADM1816-10ARTZ
Fairchild MM74HCT08M
Texas Instruments LM358D
Bossard BN 3319 - 1385046
Bossard BN6404-1983393
Bossard BN 3319 - 1385046
Bossard BN6404-1983393
Bossard BN 3319 - 1385046
Bossard BN6404-1983393
Bossard BN 3319 - 1385046
Bossard BN6404-1983393
Bossard BN 3319 - 1385046
Bossard BN6404-1983393

13 HDMI PCB 320347 (DV02)

Ref. No.	Description
C1	Capacitor, SMD 8.3x6.2mm, AL, 2000hrs, 85C, 100uF, 25V, 20%
C2	Capacitor, SMD 8.3x6.2mm, AL, 2000hrs, 85C, 100uF, 25V, 20%
C5	Capacitor, SMD 8.3x6.2mm, AL, 2000hrs, 85C, 100uF, 25V, 20%
C3	Capacitor, SMD 8.3x6.2mm, AL, 2000hrs, 85C, 100uF, 25V, 20%
C4	Capacitor, SMD 8.3x6.2mm, AL, 2000hrs, 85C, 100uF, 25V, 20%
C6	Capacitor, SMD 8.3x6.2mm, AL, 2000hrs, 85C, 100uF, 25V, 20%
C7	Capacitor, SMD 8.3x6.2mm, AL, 2000hrs, 85C, 100uF, 25V, 20%
C8	Capacitor, SMD 8.3x6.2mm, AL, 2000hrs, 85C, 100uF, 25V, 20%
C9	Capacitor, SMD 8.3x6.2mm, AL, 2000hrs, 85C, 100uF, 25V, 20%
C10	Capacitor, SMD 8.3x6.2mm, AL, 2000hrs, 85C, 100uF, 25V, 20%
C11	Capacitor, SMD 8.3x6.2mm, AL, 2000hrs, 85C, 100uF, 25V, 20%
C12	Capacitor, SMD0603, NPO, 68pF, 50V, 5%
C13	Capacitor, SMD 8.3x6.2mm, AL, 2000hrs, 85C, 100uF, 25V, 20%
C14	Capacitor, SMD 8.3x6.2mm, AL, 2000hrs, 85C, 100uF, 25V, 20%
C15	Capacitor, SMD 8.3x6.2mm, AL, 2000hrs, 85C, 100uF, 25V, 20%
C16	Capacitor, SMD 8.3x6.2mm, AL, 2000hrs, 85C, 100uF, 25V, 20%
C17	Capacitor, SMD1206, NPO, 820pF, 50V, 5%
C18	Capacitor, SMD1206, NPO, 3.9nF, 50V, 5%
C19	Capacitor, SMD0805, NPO, 1nF, 100V, 5%
C20	Capacitor, SMD 8.3x6.2mm, AL, 2000hrs, 85C, 100uF, 25V, 20%
C21	Capacitor, SMD0805, NPO, 1nF, 100V, 5%
C22	Capacitor, SMD 8.3x6.2mm, AL, 2000hrs, 85C, 100uF, 25V, 20%
C23	Capacitor, SMD 8.3x6.2mm, AL, 2000hrs, 85C, 100uF, 25V, 20%
C24	Capacitor, SMD0805, NPO, 1nF, 100V, 5%
C25	Capacitor, SMD 8.3x6.2mm, AL, 2000hrs, 85C, 100uF, 25V, 20%
C26	Capacitor, SMD 8.3x6.2mm, AL, 2000hrs, 85C, 100uF, 25V, 20%
C27	Capacitor, SMD 8.3x6.2mm, AL, 2000hrs, 85C, 100uF, 25V, 20%
C28	Capacitor, SMD 8.3x6.2mm, AL, 2000hrs, 85C, 100uF, 25V, 20%
C29	Capacitor, SMD 8.3x6.2mm, AL, 2000hrs, 85C, 100uF, 25V, 20%
C30	Capacitor, SMD0805, NPO, 1nF, 100V, 5%
C31	Capacitor, SMD 8.3x6.2mm, AL, 2000hrs, 85C, 100uF, 25V, 20%
C32	Capacitor, SMD0805, NPO, 1nF, 100V, 5%
C33	Capacitor, SMD 8.3x6.2mm, AL, 2000hrs, 85C, 100uF, 25V, 20%
C34	Capacitor, SMD0805, NPO, 1nF, 100V, 5%
C35	Capacitor, SMD 8.3x6.2mm, AL, 2000hrs, 85C, 100uF, 25V, 20%
C36	Capacitor, SMD0805, NPO, 1nF, 100V, 5%
C37	Capacitor, SMD 8.3x6.2mm, AL, 2000hrs, 85C, 100uF, 25V, 20%
C38	Capacitor, SMD0805, NPO, 1nF, 100V, 5%
C39	Capacitor, SMD 8.3x6.2mm, AL, 2000hrs, 85C, 100uF, 25V, 20%
C40	Capacitor, SMD0805, NPO, 1nF, 100V, 5%
C41	Capacitor, SMD 8.3x6.2mm, AL, 2000hrs, 85C, 100uF, 25V, 20%
C42	Capacitor, SMD0805, NPO, 1nF, 100V, 5%
C43	Capacitor, SMD 8.3x6.2mm, AL, 2000hrs, 85C, 100uF, 25V, 20%
C44	Capacitor, SMD 8.3x6.2mm, AL, 2000hrs, 85C, 100uF, 25V, 20%
C45	Capacitor, SMD 8.3x6.2mm, AL, 2000hrs, 85C, 100uF, 25V, 20%
C46	Capacitor, SMD 8.3x6.2mm, AL, 2000hrs, 85C, 100uF, 25V, 20%
C47	Capacitor, SMD 8.3x6.2mm, AL, 2000hrs, 85C, 100uF, 25V, 20%
C48	Capacitor, SMD0805, NPO, 1nF, 100V, 5%
C49	Capacitor, SMD 8.3x6.2mm, AL, 2000hrs, 85C, 100uF, 25V, 20%
C50	Capacitor, SMD 8.3x6.2mm, AL, 2000hrs, 85C, 100uF, 25V, 20%
C51	Capacitor, SMD 8.3x6.2mm, AL, 2000hrs, 85C, 100uF, 25V, 20%
C52	Capacitor, SMD0805, NPO, 1nF, 100V, 5%
C53	Capacitor, SMD 8.3x6.2mm, AL, 2000hrs, 85C, 100uF, 25V, 20%
C54	Capacitor, SMD 8.3x6.2mm, AL, 2000hrs, 85C, 100uF, 25V, 20%
C55	Capacitor, SMD0805, X7R, 10nF, 50V, 10%

AVL

Panasonic EEE1EA101UP
Panasonic EEE1EA101UP
Panasonic EEE1EA101UP
Panasonic EEE1EA101UP
Panasonic EEE1EA101UP
Panasonic EEE1EA101UP
Panasonic EEE1EA101UP
Panasonic EEE1EA101UP
Panasonic EEE1EA101UP
Panasonic EEE1EA101UP
Panasonic EEE1EA101UP
Panasonic EEE1EA101UP
Panasonic EEE1EA101UP
AVX 06035A680JAT2A
Panasonic EEE1EA101UP
Panasonic EEE1EA101UP
Panasonic EEE1EA101UP
Panasonic EEE1EA101UP
AVX 12065A821JAT2A
AVX 12065A392JAT2A
Murata GRM2195C2A102JA01D
Panasonic EEE1EA101UP
Murata GRM2195C2A102JA01D
Panasonic EEE1EA101UP
Panasonic EEE1EA101UP
Murata GRM2195C2A102JA01D
Panasonic EEE1EA101UP
Panasonic EEE1EA101UP
Panasonic EEE1EA101UP
Panasonic EEE1EA101UP
Murata GRM2195C2A102JA01D
Panasonic EEE1EA101UP
Murata GRM2195C2A102JA01D
Panasonic EEE1EA101UP
Murata GRM2195C2A102JA01D
Panasonic EEE1EA101UP
Murata GRM2195C2A102JA01D
Panasonic EEE1EA101UP
Murata GRM2195C2A102JA01D
Panasonic EEE1EA101UP
Murata GRM2195C2A102JA01D
Panasonic EEE1EA101UP
Murata GRM2195C2A102JA01D
Panasonic EEE1EA101UP
Murata GRM2195C2A102JA01D
Panasonic EEE1EA101UP
Murata GRM2195C2A102JA01D
Panasonic EEE1EA101UP
Phycomp 2238 580 15636

PARTS LIST (Cont'd.)

13 HDMI PCB 320347 (DV02) (Cont'd.)

Ref. No.	Description	AVL
C56	Capacitor, SMD 8.3x6.2mm, AL, 2000hrs, 85C, 100uF, 25V, 20%	Panasonic EEE1EA101UP
C57	Capacitor, SMD 8.3x6.2mm, AL, 2000hrs, 85C, 100uF, 25V, 20%	Panasonic EEE1EA101UP
C58	Capacitor, SMD 8.3x6.2mm, AL, 2000hrs, 85C, 100uF, 25V, 20%	Panasonic EEE1EA101UP
C59	Capacitor, SMD 8.3x6.2mm, AL, 2000hrs, 85C, 100uF, 25V, 20%	Panasonic EEE1EA101UP
C60	Capacitor, SMD0805, X7R, 10nF, 50V, 10%	Phycomp 2238 580 15636
C61	Capacitor, SMD 8.3x6.2mm, AL, 2000hrs, 85C, 100uF, 25V, 20%	Panasonic EEE1EA101UP
C62	Capacitor, SMD 8.3x6.2mm, AL, 2000hrs, 85C, 100uF, 25V, 20%	Panasonic EEE1EA101UP
C63	Capacitor, SMD 8.3x6.2mm, AL, 2000hrs, 85C, 100uF, 25V, 20%	Panasonic EEE1EA101UP
C64	Capacitor, SMD 8.3x6.2mm, AL, 2000hrs, 85C, 100uF, 25V, 20%	Panasonic EEE1EA101UP
C65	Capacitor, SMD0805, X7R, 82nF, 50V, 10%	AVX 08055C823KAT2A
C66	Capacitor, SMD0805, X7R, 10nF, 50V, 10%	Phycomp 2238 580 15636
C67	Capacitor, SMD0603, NP0, 33pF, 50V, 10%	AVX 06035A330KAT2A
C68	Capacitor, SMD0603, NP0, 33pF, 50V, 10%	AVX 06035A330KAT2A
C69	Capacitor, SMD1206, X7R, 220nF, 50V, 5%	AVX 12065C224JAT2A
C70	Capacitor, SMD0603, NP0, 18pF, 50V, 10%	AVX 06035A180KAT2A
C71	Capacitor, SMD0603, NP0, 82pF, 50V, 5%	AVX 06035A820JAT2A
C72	Capacitor, SMD0603, NP0, 22pF, 50V, 10%	AVX 06035A220KAT2A
C73	Capacitor, SMD 8.3x6.2mm, AL, 2000hrs, 85C, 100uF, 25V, 20%	Panasonic EEE1EA101UP
C74	Capacitor, SMD0603, NP0, 18pF, 50V, 10%	AVX 06035A180KAT2A
C75	Capacitor, SMD0603, NP0, 18pF, 50V, 10%	AVX 06035A180KAT2A
C76	Capacitor, SMD0603, NP0, 18pF, 50V, 10%	AVX 06035A180KAT2A
C77	Capacitor, SMD0603, NP0, 18pF, 50V, 10%	AVX 06035A180KAT2A
C78	Capacitor, SMD0603, NP0, 18pF, 50V, 10%	AVX 06035A180KAT2A
C79	Capacitor, SMD0603, NP0, 18pF, 50V, 10%	AVX 06035A180KAT2A
C80	Capacitor, SMD0603, NP0, 18pF, 50V, 10%	AVX 06035A180KAT2A
C81	Capacitor, SMD 8.3x6.2mm, AL, 2000hrs, 85C, 100uF, 25V, 20%	Panasonic EEE1EA101UP
C82	Capacitor, SMD 8.3x6.2mm, AL, 2000hrs, 85C, 100uF, 25V, 20%	Panasonic EEE1EA101UP
C83	Capacitor, SMD0603, NP0, 18pF, 50V, 10%	AVX 06035A180KAT2A
C85	Capacitor, SMD0603, NP0, 18pF, 50V, 10%	AVX 06035A180KAT2A
C84	Capacitor, SMD0805, NP0, 1nF, 100V, 5%	Murata GRM2195C2A102JA01D
C86	Capacitor, SMD 8.3x6.2mm, AL, 2000hrs, 85C, 100uF, 25V, 20%	Panasonic EEE1EA101UP
C87	Capacitor, SMD0805, NP0, 1nF, 100V, 5%	Murata GRM2195C2A102JA01D
C88	Capacitor, SMD0603, NP0, 18pF, 50V, 10%	AVX 06035A180KAT2A
C89	Capacitor, SMD 8.3x6.2mm, AL, 2000hrs, 85C, 100uF, 25V, 20%	Panasonic EEE1EA101UP
C90	Capacitor, SMD0603, NP0, 18pF, 50V, 10%	AVX 06035A180KAT2A
C91	Capacitor, SMD0603, NP0, 18pF, 50V, 10%	AVX 06035A180KAT2A
C92	Capacitor, SMD0805, NP0, 1nF, 100V, 5%	Murata GRM2195C2A102JA01D
C93	Capacitor, SMD0805, NP0, 1nF, 100V, 5%	Murata GRM2195C2A102JA01D
C94	Capacitor, SMD0603, NP0, 18pF, 50V, 10%	AVX 06035A180KAT2A
C95	Capacitor, SMD0603, NP0, 18pF, 50V, 10%	AVX 06035A180KAT2A
C96	Capacitor, SMD0603, NP0, 18pF, 50V, 10%	AVX 06035A180KAT2A
C97	Capacitor, SMD 8.3x6.2mm, AL, 2000hrs, 85C, 100uF, 25V, 20%	Panasonic EEE1EA101UP
C98	Capacitor, SMD0805, NP0, 1nF, 100V, 5%	Murata GRM2195C2A102JA01D
C99	Capacitor, SMD0805, NP0, 1nF, 100V, 5%	Murata GRM2195C2A102JA01D
C100	Capacitor, SMD0603, NP0, 18pF, 50V, 10%	AVX 06035A180KAT2A
C101	Capacitor, SMD0603, NP0, 18pF, 50V, 10%	AVX 06035A180KAT2A
C102	Capacitor, SMD0603, NP0, 18pF, 50V, 10%	AVX 06035A180KAT2A
C103	Capacitor, SMD 8.3x6.2mm, AL, 2000hrs, 85C, 100uF, 25V, 20%	Panasonic EEE1EA101UP
C104	Capacitor, SMD0603, NP0, 18pF, 50V, 10%	AVX 06035A180KAT2A
C105	Capacitor, SMD0603, NP0, 18pF, 50V, 10%	AVX 06035A180KAT2A
C106	Capacitor, SMD0603, NP0, 18pF, 50V, 10%	AVX 06035A180KAT2A
C107	Capacitor, SMD0603, NP0, 18pF, 50V, 10%	AVX 06035A180KAT2A
C108	Capacitor, SMD 8.3x6.2mm, AL, 2000hrs, 85C, 100uF, 25V, 20%	Panasonic EEE1EA101UP
C109	Capacitor, SMD0603, NP0, 18pF, 50V, 10%	AVX 06035A180KAT2A
C110	Capacitor, SMD0603, NP0, 18pF, 50V, 10%	AVX 06035A180KAT2A
C111	Capacitor, SMD0603, NP0, 18pF, 50V, 10%	AVX 06035A180KAT2A
C112	Capacitor, SMD0603, NP0, 18pF, 50V, 10%	AVX 06035A180KAT2A
C113	Capacitor, SMD0603, NP0, 18pF, 50V, 10%	AVX 06035A180KAT2A
C114	Capacitor, SMD0603, NP0, 18pF, 50V, 10%	AVX 06035A180KAT2A
C115	Capacitor, SMD0603, NP0, 18pF, 50V, 10%	AVX 06035A180KAT2A
C116	Capacitor, SMD0603, NP0, 18pF, 50V, 10%	AVX 06035A180KAT2A
C117	Capacitor, SMD0603, NP0, 18pF, 50V, 10%	AVX 06035A180KAT2A
C118	Capacitor, SMD 8.3x6.2mm, AL, 2000hrs, 85C, 100uF, 25V, 20%	Panasonic EEE1EA101UP
C119	Capacitor, SMD 8.3x6.2mm, AL, 2000hrs, 85C, 100uF, 25V, 20%	Panasonic EEE1EA101UP
C120	Capacitor, SMD0603, NP0, 18pF, 50V, 10%	AVX 06035A180KAT2A
C121	Capacitor, SMD0603, NP0, 18pF, 50V, 10%	AVX 06035A180KAT2A
C122	Capacitor, SMD0603, NP0, 18pF, 50V, 10%	AVX 06035A180KAT2A
C123	Capacitor, SMD0603, NP0, 18pF, 50V, 10%	AVX 06035A180KAT2A
C124	Capacitor, SMD 8.3x6.2mm, AL, 2000hrs, 85C, 100uF, 25V, 20%	Panasonic EEE1EA101UP
C125	Capacitor, SMD0603, NP0, 18pF, 50V, 10%	AVX 06035A180KAT2A
C126	Capacitor, SMD0603, NP0, 18pF, 50V, 10%	AVX 06035A180KAT2A
C127	Capacitor, SMD0603, NP0, 18pF, 50V, 10%	AVX 06035A180KAT2A

PARTS LIST (Cont'd.)

◆ HDMI PCB 320347 (DV02) (Cont'd.)

Ref. No.	Description	AVL
C202	Capacitor, SMD0805, X7R, 100nF, 50V, 10%	AVX 08055C109KAT2A
C204_M0	Capacitor, SMD0805, X7R, 100nF, 50V, 10%	AVX 08055C109KAT2A
C204_M1	Capacitor, SMD0805, X7R, 100nF, 50V, 10%	AVX 08055C109KAT2A
C205_M0	Capacitor, SMD0805, X7R, 100nF, 50V, 10%	AVX 08055C109KAT2A
C205_M1	Capacitor, SMD0805, X7R, 100nF, 50V, 10%	AVX 08055C109KAT2A
C206_M0	Capacitor, SMD0805, X7R, 100nF, 50V, 10%	AVX 08055C109KAT2A
C206_M1	Capacitor, SMD0805, X7R, 100nF, 50V, 10%	AVX 08055C109KAT2A
C155_M0	Capacitor, SMD 8.3x6.2mm, AL, 2000hrs, 85C, 100uF, 25V, 20%	Panasonic EEE1EA101UP
C155_M1	Capacitor, SMD 8.3x6.2mm, AL, 2000hrs, 85C, 100uF, 25V, 20%	Panasonic EEE1EA101UP
C157_M0	Capacitor, SMD 8.3x6.2mm, AL, 2000hrs, 85C, 100uF, 25V, 20%	Panasonic EEE1EA101UP
C157_M1	Capacitor, SMD 8.3x6.2mm, AL, 2000hrs, 85C, 100uF, 25V, 20%	Panasonic EEE1EA101UP
C166_M0	Capacitor, SMD 8.3x6.2mm, AL, 2000hrs, 85C, 100uF, 25V, 20%	Panasonic EEE1EA101UP
C166_M1	Capacitor, SMD 8.3x6.2mm, AL, 2000hrs, 85C, 100uF, 25V, 20%	Panasonic EEE1EA101UP
C167_M0	Capacitor, SMD 8.3x6.2mm, AL, 2000hrs, 85C, 100uF, 25V, 20%	Panasonic EEE1EA101UP
C167_M1	Capacitor, SMD 8.3x6.2mm, AL, 2000hrs, 85C, 100uF, 25V, 20%	Panasonic EEE1EA101UP
C171	Capacitor, SMD 8.3x6.2mm, AL, 2000hrs, 85C, 100uF, 25V, 20%	Panasonic EEE1EA101UP
C172	Capacitor, SMD 8.3x6.2mm, AL, 2000hrs, 85C, 100uF, 25V, 20%	Panasonic EEE1EA101UP
C187	Capacitor, SMD 8.3x6.2mm, AL, 2000hrs, 85C, 100uF, 25V, 20%	Panasonic EEE1EA101UP
C188	Capacitor, SMD 8.3x6.2mm, AL, 2000hrs, 85C, 100uF, 25V, 20%	Panasonic EEE1EA101UP
C189	Capacitor, SMD1206, X7R, 10uF, 10V, 20%	AVX 1206ZC106MAT2A
C192	Capacitor, SMD 8.3x6.2mm, AL, 2000hrs, 85C, 100uF, 25V, 20%	Panasonic EEE1EA101UP
C195	Capacitor, SMD 8.3x6.2mm, AL, 2000hrs, 85C, 100uF, 25V, 20%	Panasonic EEE1EA101UP
C203	Capacitor, SMD0603, NPO, 100pF, 50V, 10%	AVX 06035A101KAT2A
C207	Capacitor, SMD0603, NPO, 100pF, 50V, 10%	AVX 06035A101KAT2A
C208	Capacitor, SMD0603, NPO, 47pF, 50V, 10%	AVX 06035A470KAT2A
C209	Capacitor, SMD0603, NPO, 47pF, 50V, 10%	AVX 06035A470KAT2A
C210	Capacitor, SMD0603, NPO, 47pF, 50V, 10%	AVX 06035A470KAT2A
C211	Capacitor, SMD0603, NPO, 47pF, 50V, 10%	AVX 06035A470KAT2A
D1	Diode, schottky, dual, series connected, SMD, 30V, 0.2A, 0.35Vf/10mA, SOT-23-3 case, BAT54SLT1G	On Semiconductor BAT54SLT1G
D2_M0	Diode, schottky, dual, series connected, SMD, 30V, 0.2A, 0.35Vf/10mA, SOT-23-3 case, BAT54SLT1G	On Semiconductor BAT54SLT1G
D2_M1	Diode, schottky, dual, series connected, SMD, 30V, 0.2A, 0.35Vf/10mA, SOT-23-3 case, BAT54SLT1G	On Semiconductor BAT54SLT1G
D3_M0	Diode, schottky, dual, series connected, SMD, 30V, 0.2A, 0.35Vf/10mA, SOT-23-3 case, BAT54SLT1G	On Semiconductor BAT54SLT1G
D3_M1	Diode, schottky, dual, series connected, SMD, 30V, 0.2A, 0.35Vf/10mA, SOT-23-3 case, BAT54SLT1G	On Semiconductor BAT54SLT1G
D4_M0	Diode, schottky, dual, series connected, SMD, 30V, 0.2A, 0.35Vf/10mA, SOT-23-3 case, BAT54SLT1G	On Semiconductor BAT54SLT1G
D4_M1	Diode, schottky, dual, series connected, SMD, 30V, 0.2A, 0.35Vf/10mA, SOT-23-3 case, BAT54SLT1G	On Semiconductor BAT54SLT1G
D7	Diode, schottky, dual, series connected, SMD, 30V, 0.2A, 0.35Vf/10mA, SOT-23-3 case, BAT54SLT1G	On Semiconductor BAT54SLT1G
F1	Inductor, T-filter, SMD2606, 45dB @ 100MHz, 4.7nF, 50V, 2A	Murata NFE61PT472C1H9
F2	Inductor, T-filter, SMD2606, 45dB @ 100MHz, 4.7nF, 50V, 2A	Murata NFE61PT472C1H9
F3	Inductor, ferrite bead, SMD0805, 60R @ 100MHz, 25%, 0.85A, 0.05R	Tyco BMB2A0060LN2
F4	Inductor, ferrite bead, SMD0805, 60R @ 100MHz, 25%, 0.85A, 0.05R	Tyco BMB2A0060LN2
F5	Inductor, T-filter, SMD2606, 45dB @ 100MHz, 4.7nF, 50V, 2A	Murata NFE61PT472C1H9
F6	Inductor, T-filter, SMD2606, 45dB @ 100MHz, 4.7nF, 50V, 2A	Murata NFE61PT472C1H9
F7	Inductor, T-filter, SMD2606, 45dB @ 100MHz, 4.7nF, 50V, 2A	Murata NFE61PT472C1H9
F8	Inductor, T-filter, SMD2606, 45dB @ 100MHz, 4.7nF, 50V, 2A	Murata NFE61PT472C1H9
F9	Inductor, T-filter, SMD2606, 45dB @ 100MHz, 4.7nF, 50V, 2A	Murata NFE61PT472C1H9
F10	Inductor, ferrite bead, SMD0805, 60R @ 100MHz, 25%, 0.85A, 0.05R	Tyco BMB2A0060LN2
F11	Inductor, ferrite bead, SMD0805, 60R @ 100MHz, 25%, 0.85A, 0.05R	Tyco BMB2A0060LN2
F12	Inductor, T-filter, SMD2606, 45dB @ 100MHz, 4.7nF, 50V, 2A	Murata NFE61PT472C1H9
F13	Inductor, ferrite bead, SMD0805, 60R @ 100MHz, 25%, 0.85A, 0.05R	Tyco BMB2A0060LN2
F14	Inductor, ferrite bead, SMD0805, 60R @ 100MHz, 25%, 0.85A, 0.05R	Tyco BMB2A0060LN2
F15	Inductor, ferrite bead, SMD0805, 60R @ 100MHz, 25%, 0.85A, 0.05R	Tyco BMB2A0060LN2
F16	Inductor, ferrite bead, SMD0805, 60R @ 100MHz, 25%, 0.85A, 0.05R	Tyco BMB2A0060LN2
F17_M0	Inductor, ferrite bead, SMD0805, 220R @ 100MHz, 25%, 0.2A, 0.2R	Murata BLM21AG221SN1
F17_M1	Inductor, ferrite bead, SMD0805, 220R @ 100MHz, 25%, 0.2A, 0.2R	Murata BLM21AG221SN1
F18	Inductor, ferrite bead, SMD0805, 220R @ 100MHz, 25%, 0.2A, 0.2R	Murata BLM21AG221SN1
F19	Inductor, ferrite bead, SMD0805, 220R @ 100MHz, 25%, 0.2A, 0.2R	Murata BLM21AG221SN1
F20	Inductor, ferrite bead, SMD0805, 220R @ 100MHz, 25%, 0.2A, 0.2R	Murata BLM21AG221SN1
F21	Inductor, ferrite bead, SMD0805, 220R @ 100MHz, 25%, 0.2A, 0.2R	Murata BLM21AG221SN1
F24_M0	Inductor, ferrite bead, SMD0805, 220R @ 100MHz, 25%, 0.2A, 0.2R	Murata BLM21AG221SN1
F24_M1	Inductor, ferrite bead, SMD0805, 220R @ 100MHz, 25%, 0.2A, 0.2R	Murata BLM21AG221SN1
F22	Inductor, ferrite bead, SMD0805, 220R @ 100MHz, 25%, 0.2A, 0.2R	Murata BLM21AG221SN1
H111	PCB, 4 layer, 1.6mm FR4 260x167mm, DV02C	Lyngdorf Audio DV02C
IC1	IC, Voltage regulator, LDO, 1.8V, 1.6A, 8V input, low noise, SOT223, ADP3338AKCZ-1.8	Analog Devices ADP3338AKCZ-1.8RL7
IC2	IC, Voltage regulator, LDO, 1.8V, 1.6A, 8V input, low noise, SOT223, ADP3338AKCZ-1.8	Analog Devices ADP3338AKCZ-1.8RL7
IC3	IC, Voltage regulator, LDO, 2.5V, 1.6A, 8V input, low noise, SOT223, ADP3338AKCZ-2.5	Analog Devices ADP3338AKCZ-2.5RL7
IC4	IC, Voltage regulator, LDO, 2.5V, 1.6A, 8V input, low noise, SOT223, ADP3338AKCZ-2.5	Analog Devices ADP3338AKCZ-2.5RL7
IC5	IC, Voltage regulator, LDO, 3.3V, 1.6A, 8V input, low noise, SOT223, ADP3338AKCZ-3.3	Analog Devices ADP3338AKCZ-3.3RL7
IC6	IC, Voltage regulator, LDO, 3.3V, 1.6A, 8V input, low noise, SOT223, ADP3338AKCZ-3.3	Analog Devices ADP3338AKCZ-3.3RL7
IC7	IC, OP-AMP, single, 2.7V-8V, rail-to-rail, 300MHz, SOT23-5 case, AD8061ARTZ	Analog Devices AD8061ARTZ-R2
IC8	IC, voltage regulator, shunt, AD1580ARTZ	Analog Devices
IC9	IC, video, Integrated Video Filter with Selectable Cutoff Frequencies for RGB, HD/SD Y, C, and CVt, LFCSP-32 case, ADA4410-6ACPZ	Analog Devices ADA4410-

PARTS LIST (Cont'd.)

◆ HDMI PCB 320347 (DV02) (Cont'd.)

Ref. No.	Description	AVL
IC10	IC, video, Multiformat 11-bit HDTV video encoder, LQFP-64 case, ADV7322KSTZ	Analog Devices ADV7322KSTZ
IC11	IC, video, Int. Video Filter with Sel. Cutoff Freq. for RGB, HD/SD Y, C, and CvT, LFCSP-32 case, ADA4410-6ACPZ	Analog Devices ADA4410-
IC12	IC, Int. Multi-Format SDTV/HDTV Vid. Decoder and RGB Graphics Digitizer, LQFP100 case, ADV7400AKSTZ-110	Analog Devices ADV7400AKSTZ-110
IC13	IC, OP-AMP, single, 2.7V-8V, rail-to-rail, 300MHz, SOT23-5 case, AD8061ARTZ	Analog Devices AD8061ARTZ-R2
IC16_IN1	Diode, ESD protection, 4-channel, SMD, 5V, SO23-6 case, CM1213A-04SO	Cal. Micro Devices CM1213A-04SO
IC16_IN2	Diode, ESD protection, 4-channel, SMD, 5V, SO23-6 case, CM1213A-04SO	Cal. Micro Devices CM1213A-04SO
IC16_IN3	Diode, ESD protection, 4-channel, SMD, 5V, SO23-6 case, CM1213A-04SO	Cal. Micro Devices CM1213A-04SO
IC16_IN4	Diode, ESD protection, 4-channel, SMD, 5V, SO23-6 case, CM1213A-04SO	Cal. Micro Devices CM1213A-04SO
IC16_IN5	Diode, ESD protection, 4-channel, SMD, 5V, SO23-6 case, CM1213A-04SO	Cal. Micro Devices CM1213A-04SO
IC29_IN1	Diode, ESD protection, 4-channel, SMD, 5V, SO23-6 case, CM1213A-04SO	Cal. Micro Devices CM1213A-04SO
IC29_IN2	Diode, ESD protection, 4-channel, SMD, 5V, SO23-6 case, CM1213A-04SO	Cal. Micro Devices CM1213A-04SO
IC29_IN3	Diode, ESD protection, 4-channel, SMD, 5V, SO23-6 case, CM1213A-04SO	Cal. Micro Devices CM1213A-04SO
IC29_IN4	Diode, ESD protection, 4-channel, SMD, 5V, SO23-6 case, CM1213A-04SO	Cal. Micro Devices CM1213A-04SO
IC29_IN5	Diode, ESD protection, 4-channel, SMD, 5V, SO23-6 case, CM1213A-04SO	Cal. Micro Devices CM1213A-04SO
IC30_IN1	Diode, ESD protection, 4-channel, SMD, 5V, SO23-6 case, CM1213A-04SO	Cal. Micro Devices CM1213A-04SO
IC30_IN2	Diode, ESD protection, 4-channel, SMD, 5V, SO23-6 case, CM1213A-04SO	Cal. Micro Devices CM1213A-04SO
IC30_IN3	Diode, ESD protection, 4-channel, SMD, 5V, SO23-6 case, CM1213A-04SO	Cal. Micro Devices CM1213A-04SO
IC30_IN4	Diode, ESD protection, 4-channel, SMD, 5V, SO23-6 case, CM1213A-04SO	Cal. Micro Devices CM1213A-04SO
IC30_IN5	Diode, ESD protection, 4-channel, SMD, 5V, SO23-6 case, CM1213A-04SO	Cal. Micro Devices CM1213A-04SO
IC15	IC, HDMI Receiver with Enhanced Audio and Deep Color Outputs, TQFP144 case, SiI9135CTU	Silicon Image SiI9135CTU
IC17	IC, I2C 16-bit I/O expander with interrupt, SSOP-24 case, PCF8575TS	NXP PCF8575TS
IC18	IC, HDMI PanelLink Transmitter, TQFP-80 case, SiI9030CTU-7	Silicon Image SiI9030CTU-7
IC19	IC, logic, UHS series, AND gate, single, 1.65V-5.5V, 2.7nS, SC70-5 case, NC7SZ08P5-NL	Fairchild NC7SZ08P5_NL
IC20_M0	IC, 3:1 HDMI 1.3 Switch, TQFP80 case, SiI9185ACTU	Silicon Image SiI9185ACTU
IC20_M1	IC, 3:1 HDMI 1.3 Switch, TQFP80 case, SiI9185ACTU	Silicon Image SiI9185ACTU
IC22	IC, interface, RS-232 transceiver, 2 channel, 5V, SOIC-16 case, MAX202ECSE+	Maxim MAX202ECSE+
IC23	IC, FPGA, MachXO, 1200LUT, 211 I/O, 1.8V/2.5V/3.3V, FTBGA-256 case, LCMXO1200C-5FTN256C	Lattice LCMXO1200C-5FTN256C
IC26	IC, FET switch, single, power, 300mA, current limited, 2.7-5.5V, SOIC-8 case, TPS2020D	Texas Instruments TPS2020D
IC24	IC, SRAM, 1Mbit, 16bit data interface, 64Kx16, 12nS, 3.3V, TSOP 44 case, AS7C31026B-12TCN	Alliance Memory AS7C31026B-12TCN
IC27	IC, logic, HCT series, inverter, hex, 4.5V-5.5V, 13nS, SOIC-14 case, SN74HCT04D	Texas Instruments SN74HCT04D
J1	Connector, ribboncable-PCB, SMD, FPC, vertical, top contact, 30 way	Samtec ZF5-30-03-T-WT
J2	Connector, ribboncable-PCB, SMD, FPC, vertical, bottom contact, 30 way	Molex 524373072
J3	Connector, ribboncable-PCB, SMD, FPC, vertical, top contact, 30 way	Samtec ZF5-30-03-T-WT
J4_IN1	Connector, HDMI receptacle, right angle, screw flange, SMD solder tails, TH shell tabs	Molex 5002541931
J4_IN2	Connector, HDMI receptacle, right angle, screw flange, SMD solder tails, TH shell tabs	Molex 5002541931
J4_IN3	Connector, HDMI receptacle, right angle, screw flange, SMD solder tails, TH shell tabs	Molex 5002541931
J4_IN4	Connector, HDMI receptacle, right angle, screw flange, SMD solder tails, TH shell tabs	Molex 5002541931
J4_IN5	Connector, HDMI receptacle, right angle, screw flange, SMD solder tails, TH shell tabs	Molex 5002541931
J5	Connector, HDMI receptacle, right angle, screw flange, SMD solder tails, TH shell tabs	Molex 5002541931
J6	Connector, PCB, RJ45, female, right Angle, 8/8, Black, with shield and green and yellow LEDs	AUK CONTR. MJUL0808FF03GYT
J7	Connector, D-sub, DB9, female, PCB, TH, angled, single, 9-way, PCB retention	Silicon Image DRB-09S12
J9	Connector, ribboncable-PCB, SMD, FPC, vertical, bottom contact, 40 way	Molex 541324062
L1	Inductor, ferrite, SMD1210 case, 3.3uH, 10%, 200mA, 1.2R	Epcos B82422-A1332K100
L2	Inductor, ferrite, SMD1210 case, 3.3uH, 10%, 200mA, 1.2R	Epcos B82422-A1332K100
L3	Inductor, ferrite, SMD1210 case, 6.8uH, 10%, 135mA, 2.8R	Epcos B82422-A1682K100
L4	Inductor, ferrite, SMD1210 case, 4.7uH, 10%, 150mA, 2.2R	Epcos B82422-A1472K100
L5_IN1	Inductor, common mode, 2 line, ferrite, TDK ACM2012-900-2P-T, 90 ohms @ 100MHz	TDK ACM2012-900-2P-T
L5_IN2	Inductor, common mode, 2 line, ferrite, TDK ACM2012-900-2P-T, 90 ohms @ 100MHz	TDK ACM2012-900-2P-T
L5_IN3	Inductor, common mode, 2 line, ferrite, TDK ACM2012-900-2P-T, 90 ohms @ 100MHz	TDK ACM2012-900-2P-T
L5_IN4	Inductor, common mode, 2 line, ferrite, TDK ACM2012-900-2P-T, 90 ohms @ 100MHz	TDK ACM2012-900-2P-T
L5_IN5	Inductor, common mode, 2 line, ferrite, TDK ACM2012-900-2P-T, 90 ohms @ 100MHz	TDK ACM2012-900-2P-T
L6_IN1	Inductor, common mode, 2 line, ferrite, TDK ACM2012-900-2P-T, 90 ohms @ 100MHz	TDK ACM2012-900-2P-T
L6_IN2	Inductor, common mode, 2 line, ferrite, TDK ACM2012-900-2P-T, 90 ohms @ 100MHz	TDK ACM2012-900-2P-T
L6_IN3	Inductor, common mode, 2 line, ferrite, TDK ACM2012-900-2P-T, 90 ohms @ 100MHz	TDK ACM2012-900-2P-T
L6_IN4	Inductor, common mode, 2 line, ferrite, TDK ACM2012-900-2P-T, 90 ohms @ 100MHz	TDK ACM2012-900-2P-T
L6_IN5	Inductor, common mode, 2 line, ferrite, TDK ACM2012-900-2P-T, 90 ohms @ 100MHz	TDK ACM2012-900-2P-T
L7_IN1	Inductor, common mode, 2 line, ferrite, TDK ACM2012-900-2P-T, 90 ohms @ 100MHz	TDK ACM2012-900-2P-T
L7_IN2	Inductor, common mode, 2 line, ferrite, TDK ACM2012-900-2P-T, 90 ohms @ 100MHz	TDK ACM2012-900-2P-T
L7_IN3	Inductor, common mode, 2 line, ferrite, TDK ACM2012-900-2P-T, 90 ohms @ 100MHz	TDK ACM2012-900-2P-T
L7_IN4	Inductor, common mode, 2 line, ferrite, TDK ACM2012-900-2P-T, 90 ohms @ 100MHz	TDK ACM2012-900-2P-T
L7_IN5	Inductor, common mode, 2 line, ferrite, TDK ACM2012-900-2P-T, 90 ohms @ 100MHz	TDK ACM2012-900-2P-T
L8_IN1	Inductor, common mode, 2 line, ferrite, TDK ACM2012-900-2P-T, 90 ohms @ 100MHz	TDK ACM2012-900-2P-T
L8_IN2	Inductor, common mode, 2 line, ferrite, TDK ACM2012-900-2P-T, 90 ohms @ 100MHz	TDK ACM2012-900-2P-T
L8_IN3	Inductor, common mode, 2 line, ferrite, TDK ACM2012-900-2P-T, 90 ohms @ 100MHz	TDK ACM2012-900-2P-T
L8_IN4	Inductor, common mode, 2 line, ferrite, TDK ACM2012-900-2P-T, 90 ohms @ 100MHz	TDK ACM2012-900-2P-T
L8_IN5	Inductor, common mode, 2 line, ferrite, TDK ACM2012-900-2P-T, 90 ohms @ 100MHz	TDK ACM2012-900-2P-T
L9	Inductor, ferrite bead, SMD0603, 220R @ 100MHz, 25%, 2.5A, 0.04R	Murata BLM18SG221TN1
L10	Inductor, ferrite bead, SMD0603, 220R @ 100MHz, 25%, 2.5A, 0.04R	Murata BLM18SG221TN1
L11	Inductor, ferrite bead, SMD0603, 220R @ 100MHz, 25%, 2.5A, 0.04R	Murata BLM18SG221TN1
L12	Inductor, ferrite bead, SMD0603, 220R @ 100MHz, 25%, 2.5A, 0.04R	Murata BLM18SG221TN1
R1	Resistor, thickfilm, SMD0603, 0.1W, 50V, 100ppm, 10.0K, 1%	Phycomp 2322 704 61003L
R2	Resistor, thickfilm, SMD0603, 0.1W, 50V, 100ppm, 10.0K, 1%	Phycomp 2322 704 61003L

PARTS LIST (Cont'd.)

HDMI PCB 320347 (DV02) (Cont'd.)

Ref. No.	Description	AVL
R136	Resistor, thickfilm, SMD0603, 0.1W, 50V, 100ppm, 4.70K, 1%	Phycomp 2322 704 64702L
R137	Resistor, thickfilm, SMD0603, 0.1W, 50V, 100ppm, 47.0K, 1%	Koa Speer RK73H1JTTD4702F
R138	Resistor, thickfilm, SMD0603, 0.1W, 50V, 100ppm, 4.70K, 1%	Phycomp 2322 704 64702L
R139	Resistor, thickfilm, SMD0603, 0.1W, 50V, 100ppm, 2.00K, 1%	Koa Speer RK73H1JTTD2001F
R140	Resistor, thickfilm, SMD0603, 0.1W, 50V, 100ppm, 4.70K, 1%	Phycomp 2322 704 64702L
R141	Resistor, thickfilm, SMD0603, 0.1W, 50V, 100ppm, 4.70K, 1%	Phycomp 2322 704 64702L
R142	Resistor, thickfilm, SMD0603, 0.1W, 50V, 100ppm, 2.00K, 1%	Koa Speer RK73H1JTTD2001F
R143	Resistor, thickfilm, SMD0603, 0.1W, 50V, 100ppm, 200R, 1%	Koa Speer RK73H1JTTD2000F
R144	Resistor, thickfilm, SMD0603, 0.1W, 50V, 100ppm, 33.0R, 1%	Koa Speer RK73H1JTTD33R0F
R145	Resistor, thickfilm, SMD0603, 0.1W, 50V, 100ppm, 100R, 1%	Phycomp 2322 704 61001L
R146	Resistor, thickfilm, SMD0603, 0.1W, 50V, 100ppm, 100R, 1%	Phycomp 2322 704 61001L
R147	Resistor, thickfilm, SMD0603, 0.1W, 50V, 100ppm, 680R, 1%	Koa Speer RK73H1JTTD6800F
R148	Resistor, thickfilm, SMD0603, 0.1W, 50V, 100ppm, 100R, 1%	Phycomp 2322 704 61001L
R149	Resistor, thickfilm, SMD0603, 0.1W, 50V, 100ppm, 4.70K, 1%	Phycomp 2322 704 64702L
R150	Resistor, thickfilm, SMD0603, 0.1W, 50V, 100ppm, 10.0R, 1%	Phycomp 2322 704 61009L
R152	Resistor, thickfilm, SMD0603, 0.1W, 50V, 100ppm, 10.0K, 1%	Phycomp 2322 704 61003L
R155	Resistor, thickfilm, SMD0603, 0.1W, 50V, 100ppm, 1.00M, 1%	Koa Speer RK73H1JTTD1004F
R156	Resistor, thickfilm, SMD0603, 0.1W, 50V, 100ppm, 4.70K, 1%	Phycomp 2322 704 64702L
R163	Resistor, thickfilm, SMD0603, 0.1W, 50V, 100ppm, 33.0R, 1%	Koa Speer RK73H1JTTD33R0F
R164	Resistor, thickfilm, SMD0603, 0.1W, 50V, 100ppm, 33.0R, 1%	Koa Speer RK73H1JTTD33R0F
R165	Resistor, thickfilm, SMD0603, 0.1W, 50V, 100ppm, 33.0R, 1%	Koa Speer RK73H1JTTD33R0F
R166	Resistor, thickfilm, SMD0603, 0.1W, 50V, 100ppm, 33.0R, 1%	Koa Speer RK73H1JTTD33R0F
R167	Resistor, thickfilm, SMD0603, 0.1W, 50V, 100ppm, 680R, 1%	Koa Speer RK73H1JTTD6800F
R168	Resistor, thickfilm, SMD0603, 0.1W, 50V, 100ppm, 680R, 1%	Koa Speer RK73H1JTTD6800F
R170	Resistor, thickfilm, SMD0603, 0.1W, 50V, 100ppm, 4.70K, 1%	Phycomp 2322 704 64702L
R172	Resistor, thickfilm, SMD0603, 0.1W, 50V, 100ppm, 4.70K, 1%	Koa Speer RK73H1JTTD4702F
R175	Resistor, thickfilm, SMD0603, 0.1W, 50V, 100ppm, 4.70K, 1%	Phycomp 2322 704 64702L
R174	Resistor, thickfilm, SMD0603, 1A, 0R	Venkel CR0603-10W-000
R176	Resistor, thickfilm, SMD0603, 0.1W, 50V, 100ppm, 10.0K, 1%	Phycomp 2322 704 61003L
RN1	Resistor, thickfilm, quad, SMD0805, convex terminals, 0.063W, 50V, 200ppm, 33R, 5%	Farnell 9235272
RN2	Resistor, thickfilm, quad, SMD0805, convex terminals, 0.063W, 50V, 200ppm, 33R, 5%	Farnell 9235272
RN3	Resistor, thickfilm, quad, SMD0805, convex terminals, 0.063W, 50V, 200ppm, 33R, 5%	Farnell 9235272
RN4	Resistor, thickfilm, quad, SMD0805, convex terminals, 0.063W, 50V, 200ppm, 33R, 5%	Farnell 9235272
RN5	Resistor, thickfilm, quad, SMD0805, convex terminals, 0.063W, 50V, 200ppm, 33R, 5%	Farnell 9235272
RN6	Resistor, thickfilm, quad, SMD0805, convex terminals, 0.063W, 50V, 200ppm, 33R, 5%	Farnell 9235272
RN7	Resistor, thickfilm, quad, SMD0805, convex terminals, 0.063W, 50V, 200ppm, 33R, 5%	Farnell 9235272
RN9	Resistor, thickfilm, quad, SMD0805, convex terminals, 0.063W, 50V, 200ppm, 33R, 5%	Farnell 9235272
RN10	Resistor, thickfilm, quad, SMD0805, convex terminals, 0.063W, 50V, 200ppm, 33R, 5%	Farnell 9235272
RN11	Resistor, thickfilm, quad, SMD0805, convex terminals, 0.063W, 50V, 200ppm, 33R, 5%	Farnell 9235272
RN12	Resistor, thickfilm, quad, SMD0805, convex terminals, 0.063W, 50V, 200ppm, 33R, 5%	Farnell 9235272
RN13	Resistor, thickfilm, quad, SMD0805, convex terminals, 0.063W, 50V, 200ppm, 33R, 5%	Farnell 9235272
RN14	Resistor, thickfilm, quad, SMD0805, convex terminals, 0.063W, 50V, 200ppm, 33R, 5%	Farnell 9235272
RN15	Resistor, thickfilm, quad, SMD0805, convex terminals, 0.063W, 50V, 200ppm, 33R, 5%	Farnell 9235272
RN16	Resistor, thickfilm, quad, SMD0805, convex terminals, 0.063W, 50V, 200ppm, 33R, 5%	Farnell 9235272
RN18_IN1	Resistor, thickfilm, quad, SMD0805, convex terminals, 0.063W, 50V, 200ppm, 22R, 5%	Phycomp 235003311229
RN18_IN2	Resistor, thickfilm, quad, SMD0805, convex terminals, 0.063W, 50V, 200ppm, 22R, 5%	Phycomp 235003311229
RN18_IN3	Resistor, thickfilm, quad, SMD0805, convex terminals, 0.063W, 50V, 200ppm, 22R, 5%	Phycomp 235003311229
RN18_IN4	Resistor, thickfilm, quad, SMD0805, convex terminals, 0.063W, 50V, 200ppm, 22R, 5%	Phycomp 235003311229
RN18_IN5	Resistor, thickfilm, quad, SMD0805, convex terminals, 0.063W, 50V, 200ppm, 22R, 5%	Phycomp 235003311229
RN19_IN1	Resistor, thickfilm, quad, SMD0805, convex terminals, 0.063W, 50V, 200ppm, 22R, 5%	Phycomp 235003311229
RN19_IN2	Resistor, thickfilm, quad, SMD0805, convex terminals, 0.063W, 50V, 200ppm, 22R, 5%	Phycomp 235003311229
RN19_IN3	Resistor, thickfilm, quad, SMD0805, convex terminals, 0.063W, 50V, 200ppm, 22R, 5%	Phycomp 235003311229
RN19_IN4	Resistor, thickfilm, quad, SMD0805, convex terminals, 0.063W, 50V, 200ppm, 22R, 5%	Phycomp 235003311229
RN19_IN5	Resistor, thickfilm, quad, SMD0805, convex terminals, 0.063W, 50V, 200ppm, 22R, 5%	Phycomp 235003311229
RV1	Resistor, VDR, overvolt protection, SMD1608, 90V	TDK AVRL161A1R1NTA
RV2_IN1	Resistor, VDR, overvolt protection, SMD1608, 90V	TDK AVRL161A1R1NTA
RV2_IN2	Resistor, VDR, overvolt protection, SMD1608, 90V	TDK AVRL161A1R1NTA
RV2_IN3	Resistor, VDR, overvolt protection, SMD1608, 90V	TDK AVRL161A1R1NTA
RV2_IN4	Resistor, VDR, overvolt protection, SMD1608, 90V	TDK AVRL161A1R1NTA
RV2_IN5	Resistor, VDR, overvolt protection, SMD1608, 90V	TDK AVRL161A1R1NTA
TR1	Transistor, MOSFET, N-channel, dual, SMD SC-70 size case, 50V, 0.1A, 15Rdson, uPA672T-A	NEC uPA672T-A 6ACPZ-R2
TR8	Transistor, MOSFET, N-channel, dual, SMD SC-70 size case, 50V, 0.1A, 15Rdson, uPA672T-A	NEC uPA672T-A 6ACPZ-R2
LED2	Opto, LED lamp, SMD 2.0x1.25x1.1mm, 1 LEDs, green 565nm, 12.5mcd, KP-2012SGC	Kingbright KP-2012SGC
X1	Connector, DUAC., angled, 4.2mm pitch, PCB, TH, male, tin, 2x05-way	Molex 39291108
X2	Connector, AMP Micro Match, PCB Through hole, male, 2x10	Tyco 9-215464-0
X3	Connector, AMP Micro Match, PCB Through hole, male, 2x10	Tyco 9-215464-0
X4	Connector, AMP Micro Match, PCB Through hole, male, 2x10	Tyco 9-215464-0
X5	Connector, pinrow, angled, 2.54mm pitch, 0.64mm sq pin, PCB, TH, male, 5.84mm head, 3.05mm tail, tin, 2x5-way	Sullins PEC10DBAN
X6	Connector, AMP Micro Match, PCB Through hole, male, 2x10	Tyco 9-215464-0
XT1	Crystal, SMD HC49/4H case, 27MHz, 50ppm, 18pF load	Citizen HCM49 27.000MABJ-UT
XT2	Crystal, SMD HC49/4H case, 28.322MHz, 50ppm, 18pF load	Citizen HCM49 28.322MABJ-UT

PARTS LIST (Cont'd.)

14 VIDEO PCB 320361 (VB02D) (Cont'd.)

Ref. No.	Description	AVL
C26_CMux6	Capacitor, SMD0805, X7R, 100nF, 50V, 20%	AVX 08055C104MAT2A
C26_CMux7	Capacitor, SMD0805, X7R, 100nF, 50V, 20%	AVX 08055C104MAT2A
C26_CMux8	Capacitor, SMD0805, X7R, 100nF, 50V, 20%	AVX 08055C104MAT2A
C26_CMux9	Capacitor, SMD0805, X7R, 100nF, 50V, 20%	AVX 08055C104MAT2A
C30	Capacitor, SMD1206, NP0, 2.2nF, 50V, 2%	AVX 12065A222GAT2A
C31	Capacitor, SMD0805, X7R, 10nF, 50V, 20%	AVX 08055C103MAT2A
C32	Capacitor, SMD0805, X7R, 10nF, 50V, 20%	AVX 08055C103MAT2A
C33_CMux1	Capacitor, SMD0805, NP0, 1nF, 50V, 2%	AVX 08055A102GAT2A
C33_CMux10	Capacitor, SMD0805, NP0, 1nF, 50V, 2%	AVX 08055A102GAT2A
C33_CMux11	Capacitor, SMD0805, NP0, 1nF, 50V, 2%	AVX 08055A102GAT2A
C33_CMux12	Capacitor, SMD0805, NP0, 1nF, 50V, 2%	AVX 08055A102GAT2A
C33_CMux13	Capacitor, SMD0805, NP0, 1nF, 50V, 2%	AVX 08055A102GAT2A
C33_CMux14	Capacitor, SMD0805, NP0, 1nF, 50V, 2%	AVX 08055A102GAT2A
C33_CMux2	Capacitor, SMD0805, NP0, 1nF, 50V, 2%	AVX 08055A102GAT2A
C33_CMux3	Capacitor, SMD0805, NP0, 1nF, 50V, 2%	AVX 08055A102GAT2A
C33_CMux4	Capacitor, SMD0805, NP0, 1nF, 50V, 2%	AVX 08055A102GAT2A
C33_CMux5	Capacitor, SMD0805, NP0, 1nF, 50V, 2%	AVX 08055A102GAT2A
C33_CMux6	Capacitor, SMD0805, NP0, 1nF, 50V, 2%	AVX 08055A102GAT2A
C33_CMux7	Capacitor, SMD0805, NP0, 1nF, 50V, 2%	AVX 08055A102GAT2A
C33_CMux8	Capacitor, SMD0805, NP0, 1nF, 50V, 2%	AVX 08055A102GAT2A
C33_CMux9	Capacitor, SMD0805, NP0, 1nF, 50V, 2%	AVX 08055A102GAT2A
C34_CMux1	Capacitor, SMD0805, NP0, 1nF, 50V, 2%	AVX 08055A102GAT2A
C34_CMux10	Capacitor, SMD0805, NP0, 1nF, 50V, 2%	AVX 08055A102GAT2A
C34_CMux11	Capacitor, SMD0805, NP0, 1nF, 50V, 2%	AVX 08055A102GAT2A
C34_CMux12	Capacitor, SMD0805, NP0, 1nF, 50V, 2%	AVX 08055A102GAT2A
C34_CMux13	Capacitor, SMD0805, NP0, 1nF, 50V, 2%	AVX 08055A102GAT2A
C34_CMux14	Capacitor, SMD0805, NP0, 1nF, 50V, 2%	AVX 08055A102GAT2A
C34_CMux2	Capacitor, SMD0805, NP0, 1nF, 50V, 2%	AVX 08055A102GAT2A
C34_CMux3	Capacitor, SMD0805, NP0, 1nF, 50V, 2%	AVX 08055A102GAT2A
C34_CMux4	Capacitor, SMD0805, NP0, 1nF, 50V, 2%	AVX 08055A102GAT2A
C34_CMux5	Capacitor, SMD0805, NP0, 1nF, 50V, 2%	AVX 08055A102GAT2A
C34_CMux6	Capacitor, SMD0805, NP0, 1nF, 50V, 2%	AVX 08055A102GAT2A
C34_CMux7	Capacitor, SMD0805, NP0, 1nF, 50V, 2%	AVX 08055A102GAT2A
C34_CMux8	Capacitor, SMD0805, NP0, 1nF, 50V, 2%	AVX 08055A102GAT2A
C34_CMux9	Capacitor, SMD0805, NP0, 1nF, 50V, 2%	AVX 08055A102GAT2A
C35	Capacitor, SMD 5.3x5.4mm, AL, 2000hrs, 85C, 100uF, 6.3V, 20%	Nichicon UWR0J101MCL1GB
C36	Capacitor, SMD0603, X7R, 100nF, 25V, 20%	AVX 06033C104MAT2A
C37	Capacitor, SMD0603, X7R, 100nF, 25V, 20%	AVX 06033C104MAT2A
C38	Capacitor, SMD0603, X7R, 100nF, 25V, 20%	AVX 06033C104MAT2A
C39	Capacitor, SMD 5.3x5.4mm, AL, 2000hrs, 85C, 100uF, 6.3V, 20%	Nichicon UWR0J101MCL1GB
C40	Capacitor, SMD0603, X7R, 100nF, 25V, 20%	AVX 06033C104MAT2A
C41	Capacitor, SMD0603, X7R, 100nF, 25V, 20%	AVX 06033C104MAT2A
C42	Capacitor, SMD0603, X7R, 100nF, 25V, 20%	AVX 06033C104MAT2A
C43	Capacitor, SMD0603, X7R, 100nF, 25V, 20%	AVX 06033C104MAT2A
C44	Capacitor, SMD0603, NP0, 100pF, 50V, 10%	AVX 06035A101KAT2A
C45	Capacitor, SMD0603, NP0, 100pF, 50V, 10%	AVX 06035A101KAT2A
C61	Capacitor, SMD0805, X7R, 100nF, 50V, 20%	AVX 08055C104MAT2A
C62	Capacitor, SMD0805, X7R, 100nF, 50V, 20%	AVX 08055C104MAT2A
C63	Capacitor, SMD0805, X7R, 100nF, 50V, 20%	AVX 08055C104MAT2A
C64	Capacitor, SMD0805, X7R, 100nF, 50V, 20%	AVX 08055C104MAT2A
C65_MUX_1	Capacitor, TH, 5mm pinspacing, radial, 5x10x7.2mm, PET, metalized, 1uF, 63V, 5%	Kemet MMK5105J63J04L16.5TA16
C65_MUX_2	Capacitor, TH, 5mm pinspacing, radial, 5x10x7.2mm, PET, metalized, 1uF, 63V, 5%	Kemet MMK5105J63J04L16.5TA16
C65_MUX_F	Capacitor, TH, 5mm pinspacing, radial, 5x10x7.2mm, PET, metalized, 1uF, 63V, 5%	Kemet MMK5105J63J04L16.5TA16
C66_MUX_1	Capacitor, TH, 5mm pinspacing, radial, 5x10x7.2mm, PET, metalized, 1uF, 63V, 5%	Kemet MMK5105J63J04L16.5TA16
C66_MUX_2	Capacitor, TH, 5mm pinspacing, radial, 5x10x7.2mm, PET, metalized, 1uF, 63V, 5%	Kemet MMK5105J63J04L16.5TA16
C66_MUX_F	Capacitor, TH, 5mm pinspacing, radial, 5x10x7.2mm, PET, metalized, 1uF, 63V, 5%	Kemet MMK5105J63J04L16.5TA16
C67_MUX_1	Capacitor, TH, 5mm pinspacing, radial, 5x10x7.2mm, PET, metalized, 1uF, 63V, 5%	Kemet MMK5105J63J04L16.5TA16
C67_MUX_2	Capacitor, TH, 5mm pinspacing, radial, 5x10x7.2mm, PET, metalized, 1uF, 63V, 5%	Kemet MMK5105J63J04L16.5TA16
C67_MUX_F	Capacitor, TH, 5mm pinspacing, radial, 5x10x7.2mm, PET, metalized, 1uF, 63V, 5%	Kemet MMK5105J63J04L16.5TA16
C68_MUX_1	Capacitor, SMD0805, X7R, 100nF, 50V, 20%	AVX 08055C104MAT2A
C68_MUX_2	Capacitor, SMD0805, X7R, 100nF, 50V, 20%	AVX 08055C104MAT2A
C68_MUX_F	Capacitor, SMD0805, X7R, 100nF, 50V, 20%	AVX 08055C104MAT2A
C69_MUX_1	Capacitor, SMD0805, X7R, 100nF, 50V, 20%	AVX 08055C104MAT2A
C69_MUX_2	Capacitor, SMD0805, X7R, 100nF, 50V, 20%	AVX 08055C104MAT2A
C69_MUX_F	Capacitor, SMD0805, X7R, 100nF, 50V, 20%	AVX 08055C104MAT2A
C70_VOut1	Capacitor, SMD0805, X7R, 100nF, 50V, 20%	AVX 08055C104MAT2A
C70_VOut2	Capacitor, SMD0805, X7R, 100nF, 50V, 20%	AVX 08055C104MAT2A
C71_VOut1	Capacitor, SMD0805, X7R, 100nF, 50V, 20%	AVX 08055C104MAT2A
C71_VOut2	Capacitor, SMD0805, X7R, 100nF, 50V, 20%	AVX 08055C104MAT2A
C77	Capacitor, SMD1206, X7R, 1uF, 16V, 10%	AVX 1206YC105KAT2A
C78	Capacitor, SMD0805, X7R, 100nF, 50V, 20%	AVX 08055C104MAT2A
C79	Capacitor, SMD0603, NP0, 100pF, 50V, 10%	AVX 06035A101KAT2A

PARTS LIST (Cont'd.)

14 VIDEO PCB 320361 (VB02D) (Cont'd.)

Ref. No. Description

@ 2mA, HLMP-4700-C00B2

F1	Inductor, ferrite bead, SMD, 8.9x3.05x3mm, 100R @ 100MHz, 25%, 1mR
F2	Inductor, ferrite bead, SMD, 8.9x3.05x3mm, 100R @ 100MHz, 25%, 1mR
F3	Inductor, ferrite bead, SMD, 8.9x3.05x3mm, 100R @ 100MHz, 25%, 1mR
F4	Inductor, ferrite bead, SMD, 8.9x3.05x3mm, 100R @ 100MHz, 25%, 1mR
IC1	IC, COMPARTOR, SINGLE, NANOPOwer,ADM1816-10ARTZ
IC3_CMux1	IC, buffer, gain=2, tripple, +/-5V, disable, 500MHz, TSSOP-16 case, AD8075ARU
IC3_CMux10	IC, buffer, gain=2, tripple, +/-5V, disable, 500MHz, TSSOP-16 case, AD8075ARU
IC3_CMux11	IC, buffer, gain=2, tripple, +/-5V, disable, 500MHz, TSSOP-16 case, AD8075ARU
IC3_CMux12	IC, buffer, gain=2, tripple, +/-5V, disable, 500MHz, TSSOP-16 case, AD8075ARU
IC3_CMux13	IC, buffer, gain=2, tripple, +/-5V, disable, 500MHz, TSSOP-16 case, AD8075ARU
IC3_CMux14	IC, buffer, gain=2, tripple, +/-5V, disable, 500MHz, TSSOP-16 case, AD8075ARU
IC3_CMux2	IC, buffer, gain=2, tripple, +/-5V, disable, 500MHz, TSSOP-16 case, AD8075ARU
IC3_CMux3	IC, buffer, gain=2, tripple, +/-5V, disable, 500MHz, TSSOP-16 case, AD8075ARU
IC3_CMux4	IC, buffer, gain=2, tripple, +/-5V, disable, 500MHz, TSSOP-16 case, AD8075ARU
IC3_CMux5	IC, buffer, gain=2, tripple, +/-5V, disable, 500MHz, TSSOP-16 case, AD8075ARU
IC3_CMux6	IC, buffer, gain=2, tripple, +/-5V, disable, 500MHz, TSSOP-16 case, AD8075ARU
IC3_CMux7	IC, buffer, gain=2, tripple, +/-5V, disable, 500MHz, TSSOP-16 case, AD8075ARU
IC3_CMux8	IC, buffer, gain=2, tripple, +/-5V, disable, 500MHz, TSSOP-16 case, AD8075ARU
IC3_CMux9	IC, buffer, gain=2, tripple, +/-5V, disable, 500MHz, TSSOP-16 case, AD8075ARU
IC15	IC, voltage regulator, 1.2V-37V, 4%, 1.5A, 40V in, SOT-223 case, LM317DCY
IC16	IC, voltage regulator, 1.2V-37V, 4%, 1.5A, 40V in, SOT-223 case, LM317DCY
IC23	Opto, optocoupler, transistor output, 7500V, DIP-6 (300mil) case, 4N25M
IC24	Opto, optocoupler, transistor output, 7500V, DIP-6 (300mil) case, 4N25M
IC25_MUX_1	IC, OP-AMP, tripple, 5V-12V, current feedback, 170MHz, SOIC-14 case, OPA3684ID
IC25_MUX_2	IC, OP-AMP, tripple, 5V-12V, current feedback, 170MHz, SOIC-14 case, OPA3684ID
IC25_MUX_F	IC, OP-AMP, tripple, 5V-12V, current feedback, 170MHz, SOIC-14 case, OPA3684ID
IC26_VOut1	IC, OP-AMP, tripple, 5V-12V, current feedback, 170MHz, SOIC-14 case, OPA3684ID
IC26_VOut2	IC, OP-AMP, tripple, 5V-12V, current feedback, 170MHz, SOIC-14 case, OPA3684ID
J1_CompIN1	Connector, RCA, female, PCB, TH, angled, 1x3-way, 14mm spacing, gold, black,
J1_CompIN2	Connector, RCA, female, PCB, TH, angled, 1x3-way, 14mm spacing, gold, black,
J1_CompIN3	Connector, RCA, female, PCB, TH, angled, 1x3-way, 14mm spacing, gold, black,
J1_CompIN4	Connector, RCA, female, PCB, TH, angled, 1x3-way, 14mm spacing, gold, black,
J1_CompIN5	Connector, RCA, female, PCB, TH, angled, 1x3-way, 14mm spacing, gold, black,
J2_Vin1	Connector, RCA/S-video, female, PCB, TH, angled, 1x2-way, 14mm spacing, gold, black,
J2_Vin2	Connector, RCA/S-video, female, PCB, TH, angled, 1x2-way, 14mm spacing, gold, black,
J3	Connector, RCA, female, PCB, TH, angled, 1x1-way, 14x14mm spacing, gold, black, chassis shield
J4	Connector, ribboncable-PCB, SMD, FPC, vertical, bottom contact, 30 way
J5	Connector, ribboncable-PCB, SMD, FPC, vertical, bottom contact, 30 way
J7	Connector, RCA, female, PCB, TH, angled, 1x1-way, 14x14mm spacing, gold, black, chassis shield
J8	Connector, RCA, female, PCB, TH, angled, 1x1-way, 14x14mm spacing, gold, black, chassis shield
J9	Connector, RCA, female, PCB, TH, angled, 1x1-way, 14x14mm spacing, gold, black, chassis shield
J10	Connector, RCA, female, PCB, TH, angled, 1x1-way, 14x14mm spacing, gold, black, chassis shield
J11	Connector, S-video, PCB, 2x1, Black
J12	Connector, box, no latches, TH, DIL 0.1, 10-way, male, straight
J101	Connector, BNC socket, right angle, TH, 1x1,
J102	Connector, BNC socket, right angle, TH, 1x1,
J103	Connector, BNC socket, right angle, TH, 1x1,
LED1	Opto, LED lamp, SMD 2.0x1.25x1.1mm, 1 LEDs, red 625nm, 12.5mcd, KP-2012EC
LED2	Opto, LED lamp, SMD 2.0x1.25x1.1mm, 1 LEDs, red 625nm, 12.5mcd, KP-2012EC
LED3	Opto, LED lamp, SMD 2.0x1.25x1.1mm, 1 LEDs, red 625nm, 12.5mcd, KP-2012EC
Q1	Transistor, PNP, SMD SOT-23 case, 45V, 0.8A, general purpose, BCW68
Q2	Transistor, PNP, SMD SOT-23 case, 45V, 0.8A, general purpose, BCW68
Q3	Transistor, PNP, SMD SOT-23 case, 45V, 0.8A, general purpose, BCW68
Q4	Transistor, PNP, SMD SOT-23 case, 45V, 0.8A, general purpose, BCW68
Q5	Transistor, PNP, SMD SOT-23 case, 45V, 0.8A, general purpose, BCW68
Q6	Transistor, PNP, SMD SOT-23 case, 45V, 0.8A, general purpose, BCW68
Q7	Transistor, PNP, SMD SOT-23 case, 45V, 0.8A, general purpose, BCW68
Q8	Transistor, PNP, SMD SOT-23 case, 45V, 0.8A, general purpose, BCW68
R1	Resistor, thickfilm, SMD0603, 0.1W, 50V, 100ppm, 470R, 1%
R2	Resistor, thickfilm, SMD0603, 0.1W, 50V, 100ppm, 470R, 1%
R3	Resistor, thickfilm, SMD0603, 0.1W, 50V, 100ppm, 470R, 1%
R4_CompIN1	Resistor, thickfilm, SMD0603, 0.1W, 50V, 100ppm, 75.0R, 1%
R4_CompIN2	Resistor, thickfilm, SMD0603, 0.1W, 50V, 100ppm, 75.0R, 1%
R4_CompIN3	Resistor, thickfilm, SMD0603, 0.1W, 50V, 100ppm, 75.0R, 1%
R4_CompIN4	Resistor, thickfilm, SMD0603, 0.1W, 50V, 100ppm, 75.0R, 1%
R4_CompIN5	Resistor, thickfilm, SMD0603, 0.1W, 50V, 100ppm, 75.0R, 1%
R5_CompIN1	Resistor, thickfilm, SMD0603, 0.1W, 50V, 100ppm, 75.0R, 1%
R5_CompIN2	Resistor, thickfilm, SMD0603, 0.1W, 50V, 100ppm, 75.0R, 1%
R5_CompIN3	Resistor, thickfilm, SMD0603, 0.1W, 50V, 100ppm, 75.0R, 1%
R5_CompIN4	Resistor, thickfilm, SMD0603, 0.1W, 50V, 100ppm, 75.0R, 1%
R5_CompIN5	Resistor, thickfilm, SMD0603, 0.1W, 50V, 100ppm, 75.0R, 1%

AVL

Avago HLMP-4700-C00B2
Ferroxcube BDS 3/3/89 4S2
Ferroxcube BDS 3/3/89 4S2
Ferroxcube BDS 3/3/89 4S2
Ferroxcube BDS 3/3/89 4S2
Analog Devices ADM1816-10ARTZ
Analog Devices AD8075ARU
Analog Devices AD8075ARU
Analog Devices AD8075ARU
Analog Devices AD8075ARU
Analog Devices AD8075ARU
Analog Devices AD8075ARU
Analog Devices AD8075ARU
Analog Devices AD8075ARU
Analog Devices AD8075ARU
Analog Devices AD8075ARU
Analog Devices AD8075ARU
Analog Devices AD8075ARU
Analog Devices AD8075ARU
Analog Devices AD8075ARU
Analog Devices AD8075ARU
Texas Instruments LM317DCY
Texas Instruments LM317DCY
Fairchild 4N25M
Fairchild 4N25M
Texas Instruments OPA3684ID
Texas Instruments OPA3684ID
Texas Instruments OPA3684ID
Texas Instruments OPA3684ID
Texas Instruments OPA3684ID
Kunming Electronics HSP-243V3
Kunming Electronics HSP-243V3
Kunming Electronics HSP-243V3
Kunming Electronics HSP-243V3
Kunming Electronics HSP-243V3
Kunming Electronics KM04017B1 a
Kunming Electronics KM04017B1 a
TDI Tremiver YKC21-4734V
Molex 524373072
Molex 524373072
TDI Tremiver YKC21-4734V
TDI Tremiver YKC21-4734V
TDI Tremiver YKC21-4734V
TDI Tremiver YKC21-4734V
Jalco YKF51-5510
FCI 75869-101LF
TDI Tremiver BN-2775
TDI Tremiver BN-2775
TDI Tremiver BN-2775
Kingbright KP-2012EC
Kingbright KP-2012EC
Kingbright KP-2012EC
Fairchild BCW68G
Fairchild BCW68G
Fairchild BCW68G
Fairchild BCW68G
Fairchild BCW68G
Fairchild BCW68G
Fairchild BCW68G
Fairchild BCW68G
Koa Speer RK73H1JTTD4700F
Koa Speer RK73H1JTTD4700F
Koa Speer RK73H1JTTD4700F
Koa Speer RK73H1JTTD75R0F
Koa Speer RK73H1JTTD75R0F
Koa Speer RK73H1JTTD75R0F
Koa Speer RK73H1JTTD75R0F
Koa Speer RK73H1JTTD75R0F
Koa Speer RK73H1JTTD75R0F
Koa Speer RK73H1JTTD75R0F
Koa Speer RK73H1JTTD75R0F
Koa Speer RK73H1JTTD75R0F
Koa Speer RK73H1JTTD75R0F

PARTS LIST (Cont'd.)

14 VIDEO PCB 320361 (VB02D) (Cont'd.)

Ref. No.	Description	AVL
R134_VOut1	Resistor, thickfilm, SMD0603, 0.1W, 50V, 100ppm, 75.0R, 1%	Koa Speer RK73H1JTDD75R0F
R134_VOut2	Resistor, thickfilm, SMD0603, 0.1W, 50V, 100ppm, 75.0R, 1%	Koa Speer RK73H1JTDD75R0F
R135	Resistor, thickfilm, SMD0603, 1A, 0R	Venkel CR0603-10W-000
R136	Resistor, thickfilm, SMD0603, 0.1W, 50V, 100ppm, 47.0K, 1%	Koa Speer RK73H1JTDD4702F
R142	Resistor, thickfilm, SMD0603, 0.1W, 50V, 100ppm, 47.0K, 1%	Koa Speer RK73H1JTDD4702F
R145	Resistor, thickfilm, SMD0603, 0.1W, 50V, 100ppm, 47.0K, 1%	Koa Speer RK73H1JTDD4702F
R150	Resistor, thickfilm, SMD0603, 0.1W, 50V, 100ppm, 5.60K, 1%	Koa Speer RK73H1JTDD5601F
R151	Resistor, thickfilm, SMD0603, 1A, 0R	Venkel CR0603-10W-000
R152	Resistor, thickfilm, SMD0603, 0.1W, 50V, 100ppm, 68.0K, 1%	Venkel CR0603-10W-6802F
R153	Resistor, thickfilm, SMD0603, 0.1W, 50V, 100ppm, 68.0K, 1%	Venkel CR0603-10W-6802F
R154	Resistor, thickfilm, SMD0603, 0.1W, 50V, 100ppm, 68.0K, 1%	Venkel CR0603-10W-6802F
R155	Resistor, thickfilm, SMD0603, 0.1W, 50V, 100ppm, 68.0K, 1%	Venkel CR0603-10W-6802F
R156	Resistor, thickfilm, SMD0603, 0.1W, 50V, 100ppm, 68.0K, 1%	Venkel CR0603-10W-6802F
R157	Resistor, thickfilm, SMD0603, 0.1W, 50V, 100ppm, 68.0K, 1%	Venkel CR0603-10W-6802F
R158	Resistor, thickfilm, SMD0603, 0.1W, 50V, 100ppm, 75.0R, 1%	Koa Speer RK73H1JTDD75R0F
R159	Resistor, thickfilm, SMD0603, 0.1W, 50V, 100ppm, 75.0R, 1%	Koa Speer RK73H1JTDD75R0F
R160	Resistor, thickfilm, SMD0603, 0.1W, 50V, 100ppm, 75.0R, 1%	Koa Speer RK73H1JTDD75R0F
R161	Resistor, thickfilm, SMD0603, 0.1W, 50V, 100ppm, 100R, 1%	Phycomp 2322 704 61001L
R162	Resistor, thickfilm, SMD0603, 0.1W, 50V, 100ppm, 100R, 1%	Phycomp 2322 704 61001L
R163	Resistor, thickfilm, SMD0603, 0.1W, 50V, 100ppm, 100R, 1%	Phycomp 2322 704 61001L
R164	Resistor, thickfilm, SMD0603, 0.1W, 50V, 100ppm, 100R, 1%	Phycomp 2322 704 61001L
R165	Resistor, thickfilm, SMD0603, 0.1W, 50V, 100ppm, 270R, 1%	Koa Speer RK73H1JTDD2700F
R168	Resistor, thickfilm, SMD0603, 1A, 0R	Venkel CR0603-10W-000
R172	Resistor, thickfilm, SMD0603, 0.1W, 50V, 100ppm, 75.0R, 1%	Koa Speer RK73H1JTDD75R0F
R173	Resistor, thinfilm, SMD MMA 0207, 0.25W, 200V, 50ppm, 22.0R, 1%	Vishay SMM02070C2209FBP
R174	Resistor, thinfilm, SMD MMA 0207, 0.25W, 200V, 50ppm, 22.0R, 1%	Vishay SMM02070C2209FBP
R175	Resistor, thinfilm, SMD MMA 0207, 0.25W, 200V, 50ppm, 22.0R, 1%	Vishay SMM02070C2209FBP
R176	Resistor, thinfilm, SMD MMA 0207, 0.25W, 200V, 50ppm, 22.0R, 1%	Vishay SMM02070C2209FBP
R177	Resistor, thinfilm, SMD MMA 0207, 0.25W, 200V, 50ppm, 22.0R, 1%	Vishay SMM02070C2209FBP
R178	Resistor, thinfilm, SMD MMA 0207, 0.25W, 200V, 50ppm, 22.0R, 1%	Vishay SMM02070C2209FBP
	, SMD, 30V, 0.2A, 0.45Vf/15mA, SOT-23-3 case, BAR43S	Fairchild BAR43S
R801	Resistor, thickfilm, SMD0603, 0.1W, 50V, 100ppm, 10.0R, 1%	Phycomp 2322 704 61009L
TR1	Transistor, NPN, SMD SOT-23 case, 32V, 0.1A, general purpose, BCW32	NXP BCW32
TR2	Transistor, NPN, SMD SOT-23 case, 32V, 0.1A, general purpose, BCW32	NXP BCW32
TR3	Transistor, NPN, SMD SOT-23 case, 32V, 0.1A, general purpose, BCW32	NXP BCW32
TR4	Transistor, NPN, SMD SOT-23 case, 32V, 0.1A, general purpose, BCW32	NXP BCW32
TR5	Transistor, NPN, SMD SOT-23 case, 32V, 0.1A, general purpose, BCW32	NXP BCW32
TR6	Transistor, NPN, SMD SOT-23 case, 32V, 0.1A, general purpose, BCW32	NXP BCW32
TR7	Transistor, NPN, SMD SOT-23 case, 32V, 0.1A, general purpose, BCW32	NXP BCW32
TR8	Transistor, NPN, SMD SOT-23 case, 32V, 0.1A, general purpose, BCW32	NXP BCW32
U1	IC, Altera MAXII series EPLD, 570LE, 76I/O, 100pin TQFP case, EPM570T100C3	Altera EPM570T100C3
U102	IC, logic, HCT series, buffer, inverting, 3-state, 5V, 12nS, SOIC-20 (0.3 wide) case, MM74HCT541WM	Fairchild MM74HCT541WM
U801	IC, voltage regulator, LDO, low noise, 3.3V, 4%, 0.15A, 16V in, SOT-23-5 case, LP2985IM5-3.3	National LP2985IM5-3.3/NOPB
X1	Connector, box, short latches, TH, DIL 0.1, 40-way, male, straight	Tyco 5499910-9
X2	Connector, box, no latches, TH, DIL 0.1, 40-way, male, straight	Tyco 5103308-8
X3	Connector, DUAC., angled, 4.2mm pitch, PCB, TH, male, tin, 2x05-way	Molex 39291108
X5	Connector, box, short latches, TH, DIL 0.1, 20-way, male, straight	AMP 5499910-4
X6	Connector, CF Card header, CompactFlash, Type I, SMD, Normal CF Card Polarization, 20u gold	3M N7E50-7516PK-20
X6B	Connector, CF Card Ejector, CompactFlash,	3M D7E50-7316-03
X7	Connector, box, no latches, TH, DIL 0.1, 40-way, male, straight	Tyco 5103308-8

15 DATA TRIGGER PCB 320352 (IO19B)

Ref. No.	Description	AVL
C1	Capacitor, TH, 5mm pinspacing, radial, 7.2x6.5x2.5mm, PET, film/foil, 1nF, 63V, 5%	Wima FKS2 1n 5% 63V
C2	Capacitor, TH, 5mm pinspacing, radial, 7.2x6.5x2.5mm, PET, film/foil, 1nF, 63V, 5%	Wima FKS2 1n 5% 63V
C3	Capacitor, TH, 5mm pinspacing, radial, 7.2x6.5x2.5mm, PET, film/foil, 1nF, 63V, 5%	Wima FKS2 1n 5% 63V
C4	Capacitor, TH, 5mm pinspacing, radial, 7.2x6.5x2.5mm, PET, film/foil, 1nF, 63V, 5%	Wima FKS2 1n 5% 63V
C5	Capacitor, TH, 5mm pinspacing, radial, 7.2x6.5x2.5mm, PET, film/foil, 1nF, 63V, 5%	Wima FKS2 1n 5% 63V
C6	Capacitor, TH, 5mm pinspacing, radial, 7.2x6.5x2.5mm, PET, film/foil, 1nF, 63V, 5%	Wima FKS2 1n 5% 63V
C7	Capacitor, TH, 5mm pinspacing, radial, 7.2x6.5x2.5mm, PET, film/foil, 1nF, 63V, 5%	Wima FKS2 1n 5% 63V
C8	Capacitor, TH, 5mm pinspacing, radial, 7.2x6.5x2.5mm, PET, film/foil, 1nF, 63V, 5%	Wima FKS2 1n 5% 63V
F1	Fuse, TH, multifuse, 12.7x3.1mm, 5.1mm pinspacing, 0.05A, 60V, IR 40A/60VDC	Bourns MF-R005-0-99
F2	Fuse, TH, multifuse, 12.7x3.1mm, 5.1mm pinspacing, 0.05A, 60V, IR 40A/60VDC	Bourns MF-R005-0-99
F3	Fuse, TH, multifuse, 12.7x3.1mm, 5.1mm pinspacing, 0.05A, 60V, IR 40A/60VDC	Bourns MF-R005-0-99
F4	Fuse, TH, multifuse, 12.7x3.1mm, 5.1mm pinspacing, 0.05A, 60V, IR 40A/60VDC	Bourns MF-R005-0-99
F5	Fuse, TH, multifuse, 12.7x3.1mm, 5.1mm pinspacing, 0.05A, 60V, IR 40A/60VDC	Bourns MF-R005-0-99
F6	Fuse, TH, multifuse, 12.7x3.1mm, 5.1mm pinspacing, 0.05A, 60V, IR 40A/60VDC	Bourns MF-R005-0-99
H111	PCB, 2 layer, 1.6mm FR4, IO19B	Lyngdorf Audio IO19B
IC3	IC, buffer, TR array, DIP18 case, ULN2801AST	Microelectronics ULN2801A
J1	Connector, jack, 3.5mm, female, PCB, TH, straight, single, 3-way, plain insulated threadless bush, black	Lumberg 1502 01
J2	Connector, jack, 3.5mm, female, PCB, TH, straight, single, 3-way, plain insulated threadless bush, black	Lumberg 1502 01

PARTS LIST (Cont'd.)

DATA TRIGGER PCB 320352 (IO19B) (Cont'd.)

Ref. No.	Description	AVL
J3	Connector, jack, 3.5mm, female, PCB, TH, straight, single, 3-way, plain insulated threadless bush, black	Lumberg 1502 01
J4	Connector, jack, 3.5mm, female, PCB, TH, straight, single, 3-way, plain insulated threadless bush, black	Lumberg 1502 01
J5	Connector, jack, 3.5mm, female, PCB, TH, straight, single, 3-way, plain insulated threadless bush, black	Lumberg 1502 01
J6	Connector, jack, 3.5mm, female, PCB, TH, straight, single, 3-way, plain insulated threadless bush, black	Lumberg 1502 01
J7	Connector, jack, 3.5mm, female, PCB, TH, straight, single, 3-way, plain insulated threadless bush, black	Lumberg 1502 01
J8	Connector, jack, 3.5mm, female, PCB, TH, straight, single, 3-way, plain insulated threadless bush, black	Lumberg 1502 01
J9	Connector, jack, 3.5mm, female, PCB, TH, straight, single, 3-way, plain insulated threadless bush, black	Lumberg 1502 01
J10	Connector, jack, 3.5mm, female, PCB, TH, straight, single, 3-way, plain insulated threadless bush, black	Lumberg 1502 01
J11	Connector, jack, 3.5mm, female, PCB, TH, straight, single, 3-way, plain insulated threadless bush, black	Lumberg 1502 01
J12	Connector, jack, 3.5mm, female, PCB, TH, straight, single, 3-way, plain insulated threadless bush, black	Lumberg 1502 01
J13	Connector, jack, 3.5mm, female, PCB, TH, straight, single, 3-way, plain insulated threadless bush, black	Lumberg 1502 01
J14	Connector, jack, 3.5mm, female, PCB, TH, straight, single, 3-way, plain insulated threadless bush, black	Lumberg 1502 01
J15	Connector, jack, 3.5mm, female, PCB, TH, straight, single, 3-way, plain insulated threadless bush, black	Lumberg 1502 01
J16	Connector, jack, 3.5mm, female, PCB, TH, straight, single, 3-way, plain insulated threadless bush, black	Lumberg 1502 01
J17	Connector, jack, 3.5mm, female, PCB, TH, straight, single, 3-way, plain insulated threadless bush, black	Lumberg 1502 01
J18	Connector, jack, 3.5mm, female, PCB, TH, straight, single, 3-way, plain insulated threadless bush, black	Lumberg 1502 01
J19	Connector, jack, 3.5mm, female, PCB, TH, straight, single, 3-way, plain insulated threadless bush, black	Lumberg 1502 01
J20	Connector, jack, 3.5mm, female, PCB, TH, straight, single, 3-way, plain insulated threadless bush, black	Lumberg 1502 01
J21	Connector, jack, 3.5mm, female, PCB, TH, straight, single, 3-way, plain insulated threadless bush, black	Lumberg 1502 01
R1	Resistor, metal film, axial, TH 1.6x3.6mm, 0.4W, 200V, 50ppm, 100R, 1%	TT Electronics 2160241
R2	Resistor, metal film, axial, TH 1.6x3.6mm, 0.4W, 200V, 50ppm, 100R, 1%	TT Electronics 2160241
R3	Resistor, metal film, axial, TH 1.6x3.6mm, 0.4W, 200V, 50ppm, 100R, 1%	TT Electronics 2160241
R4	Resistor, metal film, axial, TH 1.6x3.6mm, 0.4W, 200V, 50ppm, 100R, 1%	TT Electronics 2160241
R5	Resistor, metal film, axial, TH 1.6x3.6mm, 0.4W, 200V, 50ppm, 100R, 1%	TT Electronics 2160241
R6	Resistor, metal film, axial, TH 1.6x3.6mm, 0.4W, 200V, 50ppm, 100R, 1%	TT Electronics 2160241
R7	Resistor, metal film, axial, TH 1.6x3.6mm, 0.4W, 200V, 50ppm, 100R, 1%	TT Electronics 2160241
R8	Resistor, metal film, axial, TH 1.6x3.6mm, 0.4W, 200V, 50ppm, 100R, 1%	TT Electronics 2160241
R9	Resistor, metal film, axial, TH 1.6x3.6mm, 0.4W, 200V, 50ppm, 100R, 1%	TT Electronics 2160241
R10	Resistor, metal film, axial, TH 1.6x3.6mm, 0.4W, 200V, 50ppm, 100R, 1%	TT Electronics 2160241
R11	Resistor, metal film, axial, TH 1.6x3.6mm, 0.4W, 200V, 50ppm, 100R, 1%	TT Electronics 2160241
R12	Resistor, metal film, axial, TH 1.6x3.6mm, 0.4W, 200V, 50ppm, 100R, 1%	TT Electronics 2160241
R13	Resistor, metal film, axial, TH 1.6x3.6mm, 0.4W, 200V, 50ppm, 100R, 1%	TT Electronics 2160241
R14	Resistor, metal film, axial, TH 1.6x3.6mm, 0.4W, 200V, 50ppm, 100R, 1%	TT Electronics 2160241
R15	Resistor, metal film, axial, TH 1.6x3.6mm, 0.4W, 200V, 50ppm, 100R, 1%	TT Electronics 2160241
R16	Resistor, metal film, axial, TH 1.6x3.6mm, 0.4W, 200V, 50ppm, 100R, 1%	TT Electronics 2160241
R17	Resistor, metal film, axial, TH 1.6x3.6mm, 0.4W, 200V, 50ppm, 100R, 1%	TT Electronics 2160241
TR1	Transistor, PNP,TH TO-92 case, 60V, 500mA, MP5A05On Semiconductor	MP5A05RLRAG
TR2	Transistor, PNP,TH TO-92 case, 60V, 500mA, MP5A05On Semiconductor	MP5A05RLRAG
TR3	Transistor, PNP,TH TO-92 case, 60V, 500mA, MP5A05On Semiconductor	MP5A05RLRAG
TR4	Transistor, PNP,TH TO-92 case, 60V, 500mA, MP5A05On Semiconductor	MP5A05RLRAG
TR5	Transistor, PNP,TH TO-92 case, 60V, 500mA, MP5A05On Semiconductor	MP5A05RLRAG
TR6	Transistor, PNP,TH TO-92 case, 60V, 500mA, MP5A05On Semiconductor	MP5A05RLRAG
TR7	Transistor, PNP,TH TO-92 case, 60V, 500mA, MP5A05On Semiconductor	MP5A05RLRAG
TR8	Transistor, PNP,TH TO-92 case, 60V, 500mA, MP5A05On Semiconductor	MP5A05RLRAG
TR9	Transistor, PNP,TH TO-92 case, 60V, 500mA, MP5A05On Semiconductor	MP5A05RLRAG
TR10	Transistor, PNP,TH TO-92 case, 60V, 500mA, MP5A05On Semiconductor	MP5A05RLRAG
TR11	Transistor, PNP,TH TO-92 case, 60V, 500mA, MP5A05On Semiconductor	MP5A05RLRAG
TR12	Transistor, PNP,TH TO-92 case, 60V, 500mA, MP5A05On Semiconductor	MP5A05RLRAG
TR13	Transistor, PNP,TH TO-92 case, 60V, 500mA, MP5A05On Semiconductor	MP5A05RLRAG
TR14	Transistor, PNP,TH TO-92 case, 60V, 500mA, MP5A05On Semiconductor	MP5A05RLRAG
TR15	Transistor, PNP,TH TO-92 case, 60V, 500mA, MP5A05On Semiconductor	MP5A05RLRAG
TR16	Transistor, PNP,TH TO-92 case, 60V, 500mA, MP5A05On Semiconductor	MP5A05RLRAG
TR17	Transistor, PNP,TH TO-92 case, 60V, 500mA, MP5A05On Semiconductor	MP5A05RLRAG
TR18	Transistor, PNP,TH TO-92 case, 60V, 500mA, MP5A05On Semiconductor	MP5A05RLRAG
X1	Ribbon cable, AWG28, VB02-IO19, MX150	
X2	Ribbon cable, AWG28, VB02-IO19, MX150	

SENSOR PCB 320353 (IO20B)

Ref. No.	Description	AVL
C1	Capacitor, SMD0603, NP0, 47pF, 50V, 10%	AVX 06035A470KAT2A
C2	Capacitor, SMD0603, NP0, 47pF, 50V, 10%	AVX 06035A470KAT2A
C3	Capacitor, SMD0805, X7R, 100nF, 50V, 20%	AVX 08055C104MAT2A
C4	Capacitor, SMD 8.3x10.2mm, AL, 2000hrs, 85C, 220uF, 25V, 20%	Panasonic EEE1EA221UP
C7	Capacitor, SMD0805, NP0, 1nF, 50V, 2%	AVX 08055A102GAT2A
C8	Capacitor, SMD0805, NP0, 1nF, 50V, 2%	AVX 08055A102GAT2A
C9	Capacitor, SMD 4.3x5.4mm, AL, 2000hrs, 85C, 10uF, 16V, 20%	Nichicon UWX1C100MCL1GB
C10	Capacitor, SMD0805, X7R, 100nF, 50V, 20%	AVX 08055C104MAT2A
C11	Capacitor, SMD0805, X7R, 100nF, 50V, 20%	AVX 08055C104MAT2A
C12	Capacitor, SMD0805, X7R, 100nF, 50V, 20%	AVX 08055C104MAT2A
C13	Capacitor, SMD0805, X7R, 100nF, 50V, 20%	AVX 08055C104MAT2A
C14	Capacitor, SMD0805, X7R, 100nF, 50V, 20%	AVX 08055C104MAT2A

PARTS LIST (Cont'd.)

SENSOR PCB 320353 (IO20B) (Cont'd.)

Ref. No.	Description	AVL
C15	Capacitor, SMD0805, X7R, 100nF, 50V, 20%	AVX 08055C104MAT2A
C16	Capacitor, SMD0805, X7R, 100nF, 50V, 20%	AVX 08055C104MAT2A
C17	Capacitor, SMD0805, X7R, 100nF, 50V, 20%	AVX 08055C104MAT2A
C18	Capacitor, SMD0805, X7R, 100nF, 50V, 20%	AVX 08055C104MAT2A
C19	Capacitor, SMD0603, NP0, 18pF, 50V, 10%	AVX 06035A180KAT2A
C20	Capacitor, SMD0805, X7R, 100nF, 50V, 20%	AVX 08055C104MAT2A
C21	Capacitor, SMD0603, NP0, 100pF, 50V, 10%	AVX 06035A101KAT2A
C22	Capacitor, SMD0603, NP0, 100pF, 50V, 10%	AVX 06035A101KAT2A
C23	Capacitor, SMD0603, NP0, 18pF, 50V, 10%	AVX 06035A180KAT2A
C24	Capacitor, SMD0603, NP0, 18pF, 50V, 10%	AVX 06035A180KAT2A
D1	Diode, schottky, single, SMD, 30V, 0.2A, 0.35Vf/10mA, SOD-323 case, BAT54	On Semiconductor BAT54HT1G
D2	Diode, schottky, single, SMD, 30V, 0.2A, 0.35Vf/10mA, SOD-323 case, BAT54	On Semiconductor BAT54HT1G
D3	Diode, schottky, single, SMD, 30V, 0.2A, 0.35Vf/10mA, SOD-323 case, BAT54	On Semiconductor BAT54HT1G
D4	Diode, schottky, single, SMD, 30V, 0.2A, 0.35Vf/10mA, SOD-323 case, BAT54	On Semiconductor BAT54HT1G
D5	Diode, schottky, single, SMD, 30V, 0.2A, 0.35Vf/10mA, SOD-323 case, BAT54	On Semiconductor BAT54HT1G
D6	Diode, schottky, single, SMD, 30V, 0.2A, 0.35Vf/10mA, SOD-323 case, BAT54	On Semiconductor BAT54HT1G
D7	Diode, schottky, single, SMD, 30V, 0.2A, 0.35Vf/10mA, SOD-323 case, BAT54	On Semiconductor BAT54HT1G
D101	Diode, schottky, single, SMD, 30V, 0.2A, 0.35Vf/10mA, SOD-323 case, BAT54	On Semiconductor BAT54HT1G
D102	Diode, schottky, single, SMD, 30V, 0.2A, 0.35Vf/10mA, SOD-323 case, BAT54	On Semiconductor BAT54HT1G
H111	PCB, 2 layer, 1.6mm FR4, IO20B	Lyngdorf Audio IO20B
IC1	IC, logic, HCT series, inverter, hex, 4.5V-5.5V, 13nS, SOIC-14 case, SN74HCT04D	Texas Instruments SN74HCT04D
IC2	IC, logic, HCT series, serial-In/parallel-Out shift register, 2V-6V, SOIC-16 case, 74HCT595D	NXP Semiconductors 74HCT595D
IC3	IC, logic, HCT series, serial-In/parallel-Out shift register, 2V-6V, SOIC-16 case, 74HCT595D	NXP Semiconductors 74HCT595D
IC4	IC, OP-AMP, dual, high current, SO8 case, MC33178D	On Semiconductor MC33178D
IC5	IC, logic, HCT series, serial-In/parallel-Out shift register, 2V-6V, SOIC-16 case, 74HCT595D	NXP Semiconductors 74HCT595D
IC6	IC, interface, RS-232 transceiver, 2 channel, 5V, SOIC-16 case, MAX202ECSE+	Maxim MAX202ECSE+
L1	Inductor, ferrite bead, SMD0603, 220R @ 100MHz, 25%, 2.5A, 0.04R	Murata BLM18SG221TN1
L2	Inductor, ferrite bead, SMD0603, 220R @ 100MHz, 25%, 2.5A, 0.04R	Murata BLM18SG221TN1
L3	Inductor, ferrite bead, SMD0603, 220R @ 100MHz, 25%, 2.5A, 0.04R	Murata BLM18SG221TN1
L4	Inductor, ferrite bead, SMD0603, 220R @ 100MHz, 25%, 2.5A, 0.04R	Murata BLM18SG221TN1
Q1	Transistor, PNP, SMD SOT-23 case, 45V, 0.8A, general purpose, BCW68	Fairchild BCW68G
Q2	Transistor, NPN, SMD SOT-23 case, 80V, 0.1A, general purpose, BC846B	Fairchild BC846B
Q4	Transistor, PNP, SMD SOT-23 case, 45V, 0.8A, general purpose, BCW68	Fairchild BCW68G
Q3	Transistor, NPN, SMD SOT-23 case, 80V, 0.1A, general purpose, BC846B	Fairchild BC846B
R1	Resistor, thickfilm, SMD0603, 0.1W, 50V, 100ppm, 22.0K, 1%	Koa Speer RK73H1JTTD2202F
R2	Resistor, thickfilm, SMD0603, 0.1W, 50V, 100ppm, 22.0K, 1%	Koa Speer RK73H1JTTD2202F
R3	Resistor, thickfilm, SMD0603, 0.1W, 50V, 100ppm, 22.0K, 1%	Koa Speer RK73H1JTTD2202F
R4	Resistor, thickfilm, SMD0603, 0.1W, 50V, 100ppm, 100R, 1%	Phycomp 2322 704 61001L
R5	Resistor, thickfilm, SMD0603, 0.1W, 50V, 100ppm, 22.0K, 1%	Koa Speer RK73H1JTTD2202F
R6	Resistor, thickfilm, SMD0603, 0.1W, 50V, 100ppm, 47.0R, 1%	Koa Speer RK73H1JTTD47R0F
R7	Resistor, thickfilm, SMD0603, 0.1W, 50V, 100ppm, 22.0K, 1%	Koa Speer RK73H1JTTD2202F
R8	Resistor, thickfilm, SMD0603, 0.1W, 50V, 100ppm, 22.0K, 1%	Koa Speer RK73H1JTTD2202F
R9	Resistor, thickfilm, SMD0603, 0.1W, 50V, 100ppm, 22.0K, 1%	Koa Speer RK73H1JTTD2202F
R10	Resistor, thickfilm, SMD0603, 0.1W, 50V, 100ppm, 2.20K, 1%	Koa Speer RK73H1JTTD2201F
R11	Resistor, thickfilm, SMD0603, 0.1W, 50V, 100ppm, 22.0K, 1%	Koa Speer RK73H1JTTD2202F
R12	Resistor, thickfilm, SMD0603, 0.1W, 50V, 100ppm, 22.0K, 1%	Koa Speer RK73H1JTTD2202F
R13	Resistor, thickfilm, SMD0603, 0.1W, 50V, 100ppm, 10.0K, 1%	Phycomp 2322 704 61003L
R14	Resistor, thickfilm, SMD0603, 0.1W, 50V, 100ppm, 22.0K, 1%	Koa Speer RK73H1JTTD2202F
R15	Resistor, thickfilm, SMD0603, 0.1W, 50V, 100ppm, 22.0K, 1%	Koa Speer RK73H1JTTD2202F
R16	Resistor, thickfilm, SMD0603, 0.1W, 50V, 100ppm, 22.0K, 1%	Koa Speer RK73H1JTTD2202F
R17	Resistor, thickfilm, SMD0603, 0.1W, 50V, 100ppm, 22.0K, 1%	Koa Speer RK73H1JTTD2202F
R18	Resistor, thickfilm, SMD0603, 0.1W, 50V, 100ppm, 22.0K, 1%	Koa Speer RK73H1JTTD2202F
R19	Resistor, thickfilm, SMD0603, 0.1W, 50V, 100ppm, 33.0K, 1%	Koa Speer RK73H1JTTD3302F
R20	Resistor, thickfilm, SMD0603, 0.1W, 50V, 100ppm, 100K, 1%	Koa Speer RK73H1JTTD1003F
R21	Resistor, thickfilm, SMD0603, 0.1W, 50V, 100ppm, 22.0K, 1%	Koa Speer RK73H1JTTD2202F
R22	Resistor, thickfilm, SMD0603, 0.1W, 50V, 100ppm, 22.0K, 1%	Koa Speer RK73H1JTTD2202F
R23	Resistor, thickfilm, SMD0603, 0.1W, 50V, 100ppm, 15.0K, 1%	Koa Speer RK73H1JTTD1502F
R24	Resistor, thickfilm, SMD0603, 0.1W, 50V, 100ppm, 22.0K, 1%	Koa Speer RK73H1JTTD2202F
R25	Resistor, thickfilm, SMD0603, 0.1W, 50V, 100ppm, 220R, 1%	Koa Speer RK73H1JTTD2200F
R26	Resistor, thickfilm, SMD0603, 0.1W, 50V, 100ppm, 22.0K, 1%	Koa Speer RK73H1JTTD2202F
R27	Resistor, thickfilm, SMD0603, 0.1W, 50V, 100ppm, 1.00K, 1%	Phycomp 2322 704 61002L
R28	Resistor, thickfilm, SMD0603, 0.1W, 50V, 100ppm, 33.0K, 1%	Koa Speer RK73H1JTTD3302F
R29	Resistor, thickfilm, SMD0603, 0.1W, 50V, 100ppm, 100K, 1%	Koa Speer RK73H1JTTD1003F
R30	Resistor, thickfilm, SMD0603, 0.1W, 50V, 100ppm, 15.0K, 1%	Koa Speer RK73H1JTTD1502F
R31	Resistor, thickfilm, SMD0603, 0.1W, 50V, 100ppm, 220R, 1%	Koa Speer RK73H1JTTD2200F
R32	Resistor, thickfilm, SMD0603, 0.1W, 50V, 100ppm, 1.00K, 1%	Phycomp 2322 704 61002L
R33	Resistor, thickfilm, SMD0603, 0.1W, 50V, 100ppm, 1.00K, 1%	Phycomp 2322 704 61002L
R34	Resistor, thickfilm, SMD0603, 0.1W, 50V, 100ppm, 2.20K, 1%	Koa Speer RK73H1JTTD2201F
R35	Resistor, thickfilm, SMD0603, 0.1W, 50V, 100ppm, 100R, 1%	Phycomp 2322 704 61001L
R36	Resistor, thickfilm, SMD0603, 0.1W, 50V, 100ppm, 10.0K, 1%	Phycomp 2322 704 61003L
R37	Resistor, thickfilm, SMD0603, 0.1W, 50V, 100ppm, 10.0R, 1%	Phycomp 2322 704 61009L
R38	Resistor, thickfilm, SMD0603, 0.1W, 50V, 100ppm, 10.0R, 1%	Phycomp 2322 704 61009L

PARTS LIST (Cont'd.)

SENSOR PCB 320353 (IO20B) (Cont'd.)

Ref. No.	Description	AVL
R39	Resistor, thickfilm, SMD0603, 0.1W, 50V, 100ppm, 10.0R, 1%	Phycomp 2322 704 61009L
R40	Resistor, thickfilm, SMD0603, 0.1W, 50V, 100ppm, 10.0R, 1%	Phycomp 2322 704 61009L
R41	Resistor, thickfilm, SMD0603, 0.1W, 50V, 100ppm, 300R, 1%	Koa Speer RK73H1JTDD3000F
R42	Resistor, thickfilm, SMD0603, 0.1W, 50V, 100ppm, 2.20K, 1%	Koa Speer RK73H1JTDD2201F
R43	Resistor, thickfilm, SMD0603, 0.1W, 50V, 100ppm, 300R, 1%	Koa Speer RK73H1JTDD3000F
X1	Connector, AMP Micro Match, Ribbon SMD, male, 2x05	AMP AMP 1-188275-0
X2	Connector, pinrow, straight, 2.54mm pitch, 0.64mm sq pin, PCB, TH, female, gold, 8.64mm body, 3.05mm tail, 2x5-way	Molex 15-44-5810
X3	Connector, AMP Micro Match, PCB Through hole, female, 2x10	Tyco 2-215079-0 (REEL)

CPU PCB 320357 (MB14C)

Ref. No.	Description	AVL
C1	Capacitor, SMD0603, NP0, 47pF, 50V, 10%	AVX 06035A470KAT2A
C2	Capacitor, SMD0603, NP0, 47pF, 50V, 10%	AVX 06035A470KAT2A
C3	Capacitor, SMD0603, NP0, 47pF, 50V, 10%	AVX 06035A470KAT2A
C4	Capacitor, SMD0603, NP0, 47pF, 50V, 10%	AVX 06035A470KAT2A
C5	Capacitor, SMD0603, NP0, 47pF, 50V, 10%	AVX 06035A470KAT2A
C6	Capacitor, SMD0603, NP0, 47pF, 50V, 10%	AVX 06035A470KAT2A
C7	Capacitor, SMD 6.3x5.4mm, AL, 2000hrs, 85C, 22uF, 25V, 20%	Panasonic EEE1EA220SP
C9	Capacitor, SMD0805, X7R, 100nF, 50V, 20%	AVX 08055C104MAT2A
C10	Capacitor, SMD0603, NP0, 18pF, 50V, 10%	AVX 06035A180KAT2A
C11	Capacitor, SMD0603, NP0, 18pF, 50V, 10%	AVX 06035A180KAT2A
C12	Capacitor, SMD0805, X7R, 100nF, 50V, 20%	AVX 08055C104MAT2A
C13	Capacitor, SMD0603, NP0, 22pF, 50V, 10%	AVX 06035A220KAT2A
C14	Capacitor, SMD0603, NP0, 22pF, 50V, 10%	AVX 06035A220KAT2A
C15	Capacitor, SMD1206, X7R, 1uF, 16V, 10%	AVX 1206YC105KAT2A
C16	Capacitor, SMD1206, X7R, 1uF, 16V, 10%	AVX 1206YC105KAT2A
C17	Capacitor, SMD 8.3x6.2mm, AL, 2000hrs, 85C, 100uF, 16V, 20%	Panasonic EEE1CA101P
C18	Capacitor, SMD1206, X7R, 1uF, 16V, 10%	AVX 1206YC105KAT2A
C19	Capacitor, SMD1206, X7R, 1uF, 16V, 10%	AVX 1206YC105KAT2A
C20	Capacitor, SMD1206, X7R, 1uF, 16V, 10%	AVX 1206YC105KAT2A
C22	Capacitor, SMD1206, X7R, 1uF, 16V, 10%	AVX 1206YC105KAT2A
C23	Capacitor, SMD1206, X7R, 1uF, 16V, 10%	AVX 1206YC105KAT2A
C24	Capacitor, SMD1206, X7R, 1uF, 16V, 10%	AVX 1206YC105KAT2A
C25	Capacitor, SMD 8.3x6.2mm, AL, 2000hrs, 85C, 100uF, 16V, 20%	Panasonic EEE1CA101P
C26	Capacitor, SMD1206, X7R, 1uF, 16V, 10%	AVX 1206YC105KAT2A
C27	Capacitor, SMD1206, X7R, 1uF, 16V, 10%	AVX 1206YC105KAT2A
C28	Capacitor, SMD1206, X7R, 1uF, 16V, 10%	AVX 1206YC105KAT2A
C29	Capacitor, SMD1206, X7R, 1uF, 16V, 10%	AVX 1206YC105KAT2A
C30	Capacitor, SMD1206, X7R, 1uF, 16V, 10%	AVX 1206YC105KAT2A
C31	Capacitor, SMD1206, X7R, 1uF, 16V, 10%	AVX 1206YC105KAT2A
C32	Capacitor, SMD1206, X7R, 1uF, 16V, 10%	AVX 1206YC105KAT2A
C33	Capacitor, SMD1206, X7R, 1uF, 16V, 10%	AVX 1206YC105KAT2A
C34	Capacitor, SMD1206, X7R, 1uF, 16V, 10%	AVX 1206YC105KAT2A
C35	Capacitor, SMD 8.3x6.2mm, AL, 2000hrs, 85C, 100uF, 16V, 20%	Panasonic EEE1CA101P
C36	Capacitor, SMD1206, X7R, 1uF, 16V, 10%	AVX 1206YC105KAT2A
C37	Capacitor, SMD1206, X7R, 1uF, 16V, 10%	AVX 1206YC105KAT2A
C38	Capacitor, SMD1206, X7R, 1uF, 16V, 10%	AVX 1206YC105KAT2A
C39	Capacitor, SMD1206, X7R, 1uF, 16V, 10%	AVX 1206YC105KAT2A
C40	Capacitor, SMD1206, X7R, 1uF, 16V, 10%	AVX 1206YC105KAT2A
C41	Capacitor, SMD1206, X7R, 1uF, 16V, 10%	AVX 1206YC105KAT2A
C42	Capacitor, SMD1206, X7R, 1uF, 16V, 10%	AVX 1206YC105KAT2A
C43	Capacitor, SMD1206, X7R, 1uF, 16V, 10%	AVX 1206YC105KAT2A
C44	Capacitor, SMD1206, X7R, 1uF, 16V, 10%	AVX 1206YC105KAT2A
C45	Capacitor, SMD1206, X7R, 1uF, 16V, 10%	AVX 1206YC105KAT2A
C46	Capacitor, SMD1206, X7R, 1uF, 16V, 10%	AVX 1206YC105KAT2A
C47	Capacitor, SMD1206, X7R, 1uF, 16V, 10%	AVX 1206YC105KAT2A
C48	Capacitor, SMD1206, X7R, 10uF, 10V, 20%	AVX 1206ZC106MAT2A
C49	Capacitor, SMD1206, X7R, 1uF, 16V, 10%	AVX 1206YC105KAT2A
C50	Capacitor, SMD1206, X7R, 1uF, 16V, 10%	AVX 1206YC105KAT2A
C51	Capacitor, SMD1206, X7R, 1uF, 16V, 10%	AVX 1206YC105KAT2A
C52	Capacitor, SMD1206, X7R, 1uF, 16V, 10%	AVX 1206YC105KAT2A
C53	Capacitor, SMD1206, X7R, 1uF, 16V, 10%	AVX 1206YC105KAT2A
C54	Capacitor, SMD1206, X7R, 1uF, 16V, 10%	AVX 1206YC105KAT2A
C55	Capacitor, SMD1206, X7R, 1uF, 16V, 10%	AVX 1206YC105KAT2A
C56	Capacitor, SMD1206, X7R, 1uF, 16V, 10%	AVX 1206YC105KAT2A
C57	Capacitor, SMD1206, X7R, 1uF, 16V, 10%	AVX 1206YC105KAT2A
C58	Capacitor, SMD0805, X7R, 100nF, 50V, 20%	AVX 08055C104MAT2A
C59	Capacitor, SMD0603, NP0, 270pF, 50V, 5%	AVX 06035A271JAT2A
C60	Capacitor, SMD0603, NP0, 270pF, 50V, 5%	AVX 06035A271JAT2A
C61	Capacitor, SMD0805, X7R, 100nF, 50V, 20%	AVX 08055C104MAT2A
C62	Capacitor, SMD0805, X7R, 100nF, 50V, 20%	AVX 08055C104MAT2A

PARTS LIST (Cont'd.)

CPU PCB 320357 (MB14C) (Cont'd.)

Ref. No.	Description	AVL
C63	Capacitor, SMD0805, X7R, 100nF, 50V, 20%	AVX 08055C104MAT2A
C64	Capacitor, SMD0805, X7R, 100nF, 50V, 20%	AVX 08055C104MAT2A
C65	Capacitor, SMD0805, X7R, 100nF, 50V, 20%	AVX 08055C104MAT2A
C66	Capacitor, SMD0805, X7R, 100nF, 50V, 20%	AVX 08055C104MAT2A
C67	Capacitor, SMD0805, X7R, 100nF, 50V, 20%	AVX 08055C104MAT2A
C68	Capacitor, SMD0805, X7R, 100nF, 50V, 20%	AVX 08055C104MAT2A
C69	Capacitor, SMD0805, X7R, 100nF, 50V, 20%	AVX 08055C104MAT2A
C70	Capacitor, SMD0805, X7R, 100nF, 50V, 20%	AVX 08055C104MAT2A
C71	Capacitor, SMD0805, X7R, 100nF, 50V, 20%	AVX 08055C104MAT2A
C72	Capacitor, SMD0805, X7R, 100nF, 50V, 20%	AVX 08055C104MAT2A
C73	Capacitor, SMD0805, X7R, 100nF, 50V, 20%	AVX 08055C104MAT2A
C74	Capacitor, SMD0805, X7R, 100nF, 50V, 20%	AVX 08055C104MAT2A
C75	Capacitor, SMD0805, X7R, 100nF, 50V, 20%	AVX 08055C104MAT2A
C76	Capacitor, SMD0805, X7R, 100nF, 50V, 20%	AVX 08055C104MAT2A
C77	Capacitor, SMD0805, X7R, 100nF, 50V, 20%	AVX 08055C104MAT2A
C78	Capacitor, SMD0805, X7R, 100nF, 50V, 20%	AVX 08055C104MAT2A
C79	Capacitor, SMD0805, X7R, 100nF, 50V, 20%	AVX 08055C104MAT2A
C80	Capacitor, SMD1206, X7R, 1uF, 16V, 10%	AVX 1206YC105KAT2A
C81	Capacitor, SMD1206, X7R, 1uF, 16V, 10%	AVX 1206YC105KAT2A
C82	Capacitor, SMD1206, X7R, 1uF, 16V, 10%	AVX 1206YC105KAT2A
C83	Capacitor, SMD1206, X7R, 1uF, 16V, 10%	AVX 1206YC105KAT2A
C84	Capacitor, SMD1206, X7R, 1uF, 16V, 10%	AVX 1206YC105KAT2A
C85	Capacitor, SMD1206, X7R, 1uF, 16V, 10%	AVX 1206YC105KAT2A
C87	Capacitor, SMD0805, X7R, 10nF, 50V, 10%	Phycomp 2238 580 15636
C88	Capacitor, SMD1206, X7R, 1uF, 16V, 10%	AVX 1206YC105KAT2A
C89	Capacitor, SMD1206, X7R, 1uF, 16V, 10%	AVX 1206YC105KAT2A
C91	Capacitor, SMD1206, X7R, 1uF, 16V, 10%	AVX 1206YC105KAT2A
C96	Capacitor, SMD 8.3x6.2mm, AL, 2000hrs, 85C, 100uF, 16V, 20%	Panasonic EEE1CA101P
C100	Capacitor, SMD 8.3x6.2mm, AL, 2000hrs, 85C, 100uF, 16V, 20%	Panasonic EEE1CA101P
C101	Capacitor, SMD1206, X7R, 10uF, 10V, 20%	AVX 1206ZC106MAT2A
C102	Capacitor, SMD0805, X7R, 100nF, 50V, 20%	AVX 08055C104MAT2A
C103	Capacitor, SMD0805, X7R, 100nF, 50V, 20%	AVX 08055C104MAT2A
C104	Capacitor, SMD0805, X7R, 100nF, 50V, 20%	AVX 08055C104MAT2A
C105	Capacitor, SMD1206, X7R, 10uF, 10V, 20%	AVX 1206ZC106MAT2A
C106	Capacitor, SMD0603, NP0, 1.8pF, 50V, 10%	AVX 06035A1R8KAT2A
C107	Capacitor, SMD0805, NP0, 1nF, 50V, 2%	AVX 08055A102GAT2A
C108	Capacitor, SMD0603, NP0, 1.8pF, 50V, 10%	AVX 06035A1R8KAT2A
C109	Capacitor, SMD0805, X7R, 100nF, 50V, 20%	AVX 08055C104MAT2A
C110	Capacitor, SMD0805, X7R, 100nF, 50V, 20%	AVX 08055C104MAT2A
C111	Capacitor, SMD1206, X7R, 10uF, 10V, 20%	AVX 1206ZC106MAT2A
D1	Diode, schottky, single, SMD, 30V, 0.2A, 0.35Vf/10mA, SOT-23-3 case, BAT54LT1G	On Semiconductor BAT54LT1G
D2	Diode, schottky, single, SMD, 30V, 0.2A, 0.35Vf/10mA, SOT-23-3 case, BAT54LT1G	On Semiconductor BAT54LT1G
D3	Diode, schottky, single, SMD, 20V, 1A, 0.45Vf/1A, Powermite 457 case, MBRM120LT1G	On Semiconductor MBRM120LT1G
D4	Diode, schottky, single, SMD, 30V, 0.2A, 0.35Vf/10mA, SOT-23-3 case, BAT54LT1G	On Semiconductor BAT54LT1G
D5	Diode, schottky, single, SMD, 20V, 1A, 0.45Vf/1A, Powermite 457 case, MBRM120LT1G	On Semiconductor MBRM120LT1G
D7	Diode, schottky, single, SMD, 30V, 0.2A, 0.35Vf/10mA, SOT-23-3 case, BAT54LT1G	On Semiconductor BAT54LT1G
F1	Inductor, ferrite bead, SMD0805, 30R @ 100MHz, 25%, 3A	Murata BLM21PG300S
F2	Inductor, ferrite bead, SMD0805, 30R @ 100MHz, 25%, 3A	Murata BLM21PG300S
IC1	IC, logic, SZ series, inverter, Schmitt trigger, single, 1.65V-5.5V, 3.7nS, SC70-5 case, NC7SZ14P5X	Fairchild NC7SZ14P5X
IC2	IC, comparator, single, reset comparator, 3.06V, active low output, SOT-23-3 case, AD1816-5ARTZ	Analog Devices AD1816-5ARTZ
IC3	IC, comparator, single, nanopower reset comparator, 4.38V, active low output, SOT-23-3 case, ADM803MAKSZ	Analog Devices ADM803MAKSZ
IC4	IC, logic, SZ series, inverter, Schmitt trigger, single, 1.65V-5.5V, 3.7nS, SC70-5 case, NC7SZ14P5X	Fairchild NC7SZ14P5X
IC5	IC, FET switch, quad NO busswitch, 5V, 4 ohms Rdson, TSSOP-14 case, FST3126MTC	Fairchild FST3126MTC
IC6	IC, logic, SPU series, inverter, unbuffered, single, 0.9V-3.6V, 4nS, SC70-5 case, NC7SPU04P5X	Fairchild NC7SPU04P5X
IC7	IC, microcontroller, System-On-Chip, BGA-352, 200MHz	Cirrus Logic EP9312-CBZ
IC8	IC, FET switch, tripple, power, 500mA, current limited, 2.7-5.5V, SOIC-16 case, TPS2043BD	Texas Instruments TPS2043BD
IC9	IC, interface, CrystalLAN 100BASE-X and 10BASE-T transceiver, TQFP-100 case, CS8952CQZ	Cirrus Logic CS8952-CQZ
IC10	IC, Flash, 128Mbit, 3V, TSOP 56 case, TE28F128J3D-95	Intel TE28F128J3D-95
IC11	IC, Flash, 128Mbit, 3V, TSOP 56 case, TE28F128J3D-95	Intel TE28F128J3D-95
IC13	IC, EPLD, 64FF, 66 I/O, TQFP-100 case, EPM3064ATC100-10	Altera EPM3064ATC100-10N
IC14	IC, SDRAM, 256Mbit, 16bit data interface, 4 banks, 133MHz, 3.3V, TSOP 56 case.	Samsung K4S561632E-UC75
IC15	IC, SDRAM, 256Mbit, 16bit data interface, 4 banks, 133MHz, 3.3V, TSOP 56 case.	Samsung K4S561632E-UC75
IC16	IC, voltage regulator, step-down, dual, 1.1MHz, adjustable, 1.5%, 1.4A, 25V in, TSSOP16 power case, LT1940EFE	Linear Technology LT1940EFE#PBF
J1	Connector, ribboncable-PCB, SMD, FPC, vertical, top contact, 30 way	Samtec ZF5-30-03-T-WT
L1	Inductor, SMD, LPC4045 case, 10uH, 0R1, 1.02A, Koa LPC4045TTE100K	Koa Speer LPC4045TTE100K
L2	Inductor, SMD, LPC4045 case, 10uH, 0R1, 1.02A, Koa LPC4045TTE100K	Koa Speer LPC4045TTE100K
LED1	Opto, LED lamp, SMD 2.0x1.25x1.1mm, 1 LEDs, red 625nm, 12.5mcd, KP-2012EC	Kingbright KP-2012EC
R1	Resistor, thickfilm, SMD0603, 0.1W, 50V, 100ppm, 15.0R, 1%	Koa Speer RK73H1JTDD15R0F
R2	Resistor, thickfilm, SMD0603, 0.1W, 50V, 100ppm, 15.0R, 1%	Koa Speer RK73H1JTDD15R0F
R3	Resistor, thickfilm, SMD0603, 0.1W, 50V, 100ppm, 15.0R, 1%	Koa Speer RK73H1JTDD15R0F
R4	Resistor, thickfilm, SMD0603, 0.1W, 50V, 100ppm, 15.0R, 1%	Koa Speer RK73H1JTDD15R0F
R5	Resistor, thickfilm, SMD0603, 0.1W, 50V, 100ppm, 15.0K, 1%	Koa Speer RK73H1JTDD1502F

PARTS LIST (Cont'd.)

CPU PCB 320357 (MB14C) (Cont'd.)

Ref. No.	Description	AVL
R6	Resistor, thickfilm, SMD0603, 0.1W, 50V, 100ppm, 1.00M, 1%	Koa Speer RK73H1JTDD1004F
R7	Resistor, thickfilm, SMD0603, 0.1W, 50V, 100ppm, 5.10M, 1%	Venkel CR0603-10W-5104F
R8	Resistor, thickfilm, SMD0603, 0.1W, 50V, 100ppm, 10.0K, 1%	Phycomp 2322 704 61003L
R9	Resistor, thickfilm, SMD0603, 0.1W, 50V, 100ppm, 475K, 1%	Venkel CR0603-10W-4753F
R10	Resistor, thickfilm, SMD0603, 0.1W, 50V, 100ppm, 22.0R, 1%	Koa Speer RK73H1JTDD22R0F
R11	Resistor, thickfilm, SMD0603, 0.1W, 50V, 100ppm, 22.0R, 1%	Koa Speer RK73H1JTDD22R0F
R12	Resistor, thickfilm, SMD0603, 0.1W, 50V, 100ppm, 560R, 1%	Koa Speer RK73H1JTDD3600F
R14	Resistor, thickfilm, SMD0603, 0.1W, 50V, 100ppm, 8.20K, 1%	Koa Speer RK73H1JTDD8201F
R15	Resistor, thickfilm, SMD0603, 0.1W, 50V, 100ppm, 5.60K, 1%	Koa Speer RK73H1JTDD5601F
R16	Resistor, thickfilm, SMD0603, 0.1W, 50V, 100ppm, 1.00K, 1%	Phycomp 2322 704 61002L
R17	Resistor, thickfilm, SMD0603, 1A, 0R	Venkel CR0603-10W-000
R18	Resistor, thickfilm, SMD0603, 0.1W, 50V, 100ppm, 470R, 1%	Koa Speer RK73H1JTDD4700F
R19	Resistor, thickfilm, SMD0603, 0.1W, 50V, 100ppm, 100K, 1%	Koa Speer RK73H1JTDD1003F
R20	Resistor, thickfilm, SMD0603, 0.1W, 50V, 100ppm, 33.0K, 1%	Koa Speer RK73H1JTDD3302F
R21	Resistor, thickfilm, SMD0603, 0.1W, 50V, 100ppm, 33.0K, 1%	Koa Speer RK73H1JTDD3302F
R22	Resistor, thickfilm, SMD0603, 0.1W, 50V, 100ppm, 33.0K, 1%	Koa Speer RK73H1JTDD3302F
R23	Resistor, thickfilm, SMD0603, 0.1W, 50V, 100ppm, 33.0K, 1%	Koa Speer RK73H1JTDD3302F
R24	Resistor, thickfilm, SMD0603, 0.1W, 50V, 100ppm, 4.70K, 1%	Phycomp 2322 704 64702L
R25	Resistor, thickfilm, SMD0603, 0.1W, 50V, 100ppm, 33.0R, 1%	Koa Speer RK73H1JTDD33R0F
R26	Resistor, thickfilm, SMD0603, 0.1W, 50V, 100ppm, 33.0R, 1%	Koa Speer RK73H1JTDD33R0F
R27	Resistor, thickfilm, SMD0603, 0.1W, 50V, 100ppm, 33.0R, 1%	Koa Speer RK73H1JTDD33R0F
R28	Resistor, thickfilm, SMD0603, 0.1W, 50V, 100ppm, 10.0K, 1%	Phycomp 2322 704 61003L
R29	Resistor, thickfilm, SMD0603, 0.1W, 50V, 100ppm, 33.0R, 1%	Koa Speer RK73H1JTDD33R0F
R30	Resistor, thickfilm, SMD0603, 0.1W, 50V, 100ppm, 33.0R, 1%	Koa Speer RK73H1JTDD33R0F
R31	Resistor, thickfilm, SMD0603, 0.1W, 50V, 100ppm, 33.0R, 1%	Koa Speer RK73H1JTDD33R0F
R32	Resistor, thickfilm, SMD0603, 0.1W, 50V, 100ppm, 33.0K, 1%	Koa Speer RK73H1JTDD3302F
R33	Resistor, thickfilm, SMD0603, 0.1W, 50V, 100ppm, 4.70K, 1%	Phycomp 2322 704 64702L
R34	Resistor, thickfilm, SMD0603, 0.1W, 50V, 100ppm, 10.0K, 1%	Phycomp 2322 704 61003L
R35	Resistor, thickfilm, SMD0603, 0.1W, 50V, 100ppm, 4.70K, 1%	Phycomp 2322 704 64702L
R36	Resistor, thickfilm, SMD0603, 0.1W, 50V, 100ppm, 4.70K, 1%	Phycomp 2322 704 64702L
R37	Resistor, thickfilm, SMD0603, 0.1W, 50V, 100ppm, 4.70K, 1%	Phycomp 2322 704 64702L
R38	Resistor, thickfilm, SMD0603, 0.1W, 50V, 100ppm, 1.50K, 1%	Koa Speer RK73H1JTDD1501F
R39	Resistor, thickfilm, SMD0603, 0.1W, 50V, 100ppm, 4.99K, 1%	Koa Speer RK73H1JTDD4991F
R42	Resistor, thickfilm, SMD0603, 0.1W, 50V, 100ppm, 51.0R, 1%	Venkel CR0603-10W-51R0F
R43	Resistor, thickfilm, SMD0603, 0.1W, 50V, 100ppm, 51.0R, 1%	Venkel CR0603-10W-51R0F
R48	Resistor, thickfilm, SMD0603, 1A, 0R	Venkel CR0603-10W-000
R50	Resistor, thickfilm, SMD0603, 1A, 0R	Venkel CR0603-10W-000
R51	Resistor, thickfilm, SMD0603, 0.1W, 50V, 100ppm, 10.0K, 1%	Phycomp 2322 704 61003L
R52	Resistor, thickfilm, SMD0603, 0.1W, 50V, 100ppm, 10.0K, 1%	Phycomp 2322 704 61003L
R54	Resistor, thickfilm, SMD0603, 1A, 0R	Venkel CR0603-10W-000
R55	Resistor, thickfilm, SMD0603, 0.1W, 50V, 100ppm, 47.0K, 1%	Koa Speer RK73H1JTDD4702F
R56	Resistor, thickfilm, SMD0603, 1A, 0R	Venkel CR0603-10W-000
R57	Resistor, thickfilm, SMD0603, 0.1W, 50V, 100ppm, 10.0K, 1%	Phycomp 2322 704 61003L
R58	Resistor, thickfilm, SMD0603, 0.1W, 50V, 100ppm, 10.0K, 1%	Phycomp 2322 704 61003L
R59	Resistor, thickfilm, SMD0603, 0.1W, 50V, 100ppm, 10.0K, 1%	Phycomp 2322 704 61003L
R60	Resistor, thickfilm, SMD0603, 0.1W, 50V, 100ppm, 10.0K, 1%	Phycomp 2322 704 61003L
R61	Resistor, thickfilm, SMD0603, 0.1W, 50V, 100ppm, 10.0K, 1%	Phycomp 2322 704 61003L
R62	Resistor, thickfilm, SMD0603, 0.1W, 50V, 100ppm, 10.0K, 1%	Phycomp 2322 704 61003L
R63	Resistor, thickfilm, SMD0603, 0.1W, 50V, 100ppm, 1.00K, 1%	Phycomp 2322 704 61002L
R64	Resistor, thickfilm, SMD0603, 0.1W, 50V, 100ppm, 1.00K, 1%	Phycomp 2322 704 61002L
R65	Resistor, thickfilm, SMD0603, 0.1W, 50V, 100ppm, 1.00K, 1%	Phycomp 2322 704 61002L
R66	Resistor, thickfilm, SMD0603, 0.1W, 50V, 100ppm, 1.00K, 1%	Phycomp 2322 704 61002L
R69	Resistor, thickfilm, SMD0603, 0.1W, 50V, 100ppm, 2.20K, 1%	Koa Speer RK73H1JTDD2201F
R71	Resistor, thickfilm, SMD0603, 0.1W, 50V, 100ppm, 47.0K, 1%	Koa Speer RK73H1JTDD4702F
R76	Resistor, thickfilm, SMD0603, 0.1W, 50V, 100ppm, 2.20K, 1%	Koa Speer RK73H1JTDD2201F
R78	Resistor, thickfilm, SMD0603, 0.1W, 50V, 100ppm, 47.0K, 1%	Koa Speer RK73H1JTDD4702F
R81	Resistor, thickfilm, SMD0603, 0.1W, 50V, 100ppm, 47.0K, 1%	Koa Speer RK73H1JTDD4702F
R82	Resistor, thickfilm, SMD0603, 0.1W, 50V, 100ppm, 5.10K, 1%	Koa Speer RK73H1JTDD5101F
R84	Resistor, thickfilm, SMD0603, 0.1W, 50V, 100ppm, 10.0K, 1%	Phycomp 2322 704 61003L
R86	Resistor, thickfilm, SMD0603, 0.1W, 50V, 100ppm, 1.00K, 1%	Phycomp 2322 704 61002L
R88	Resistor, thickfilm, SMD0603, 0.1W, 50V, 100ppm, 10.0K, 1%	Phycomp 2322 704 61003L
R89	Resistor, thickfilm, SMD0603, 0.1W, 50V, 100ppm, 10.0K, 1%	Phycomp 2322 704 61003L
R90	Resistor, thickfilm, SMD0603, 0.1W, 50V, 100ppm, 47.0K, 1%	Koa Speer RK73H1JTDD4702F
R92	Resistor, thickfilm, SMD0603, 0.1W, 50V, 100ppm, 10.0K, 1%	Phycomp 2322 704 61003L
R95	Resistor, thickfilm, SMD0603, 0.1W, 50V, 100ppm, 10.0K, 1%	Phycomp 2322 704 61003L
R98	Resistor, thickfilm, SMD0603, 0.1W, 50V, 100ppm, 10.0K, 1%	Phycomp 2322 704 61003L
R99	Resistor, thickfilm, SMD0603, 1A, 0R	Venkel CR0603-10W-000
R100	Resistor, thickfilm, SMD0603, 0.1W, 50V, 100ppm, 10.0K, 1%	Phycomp 2322 704 61003L
R101	Resistor, thickfilm, SMD0603, 0.1W, 50V, 100ppm, 47.0K, 1%	Koa Speer RK73H1JTDD4702F
R106	Resistor, thickfilm, SMD0603, 0.1W, 50V, 100ppm, 10.0K, 1%	Phycomp 2322 704 61003L
R108	Resistor, thickfilm, SMD0603, 0.1W, 50V, 100ppm, 220K, 1%	Koa Speer RK73H1JTDD2203F
R109	Resistor, thickfilm, SMD0603, 0.1W, 50V, 100ppm, 16.0K, 1%	Venkel CR0603-10W-1602F

PARTS LIST (Cont'd.)

⚡ CPU PCB 320357 (MB14C) (Cont'd.)

Ref. No.	Description	AVL
R110	Resistor, thickfilm, SMD0603, 0.1W, 50V, 100ppm, 470R, 1%	Koa Speer RK73H1JTDD4700F
R111	Resistor, thickfilm, SMD0603, 0.1W, 50V, 100ppm, 10.0K, 1%	Phycomp 2322 704 61003L
R112	Resistor, thickfilm, SMD0603, 0.1W, 50V, 100ppm, 15.0K, 1%	Koa Speer RK73H1JTDD1502F
R113	Resistor, thickfilm, SMD0603, 0.1W, 50V, 100ppm, 15.0K, 1%	Koa Speer RK73H1JTDD1502F
R114	Resistor, thickfilm, SMD0603, 0.1W, 50V, 100ppm, 2.20K, 1%	Koa Speer RK73H1JTDD2201F
R115	Resistor, thickfilm, SMD0603, 0.1W, 50V, 100ppm, 2.20K, 1%	Koa Speer RK73H1JTDD2201F
R116	Resistor, thickfilm, SMD0603, 0.1W, 50V, 100ppm, 10.0K, 1%	Phycomp 2322 704 61003L
R121	Resistor, thickfilm, SMD0603, 0.1W, 50V, 100ppm, 33.0K, 1%	Koa Speer RK73H1JTDD3302F
R122	Resistor, thickfilm, SMD0603, 0.1W, 50V, 100ppm, 15.0K, 1%	Koa Speer RK73H1JTDD1502F
R123	Resistor, thickfilm, SMD0603, 0.1W, 50V, 100ppm, 15.0K, 1%	Koa Speer RK73H1JTDD1502F
R124	Resistor, thickfilm, SMD0603, 0.1W, 50V, 100ppm, 15.0K, 1%	Koa Speer RK73H1JTDD1502F
R125	Resistor, thickfilm, SMD0603, 0.1W, 50V, 100ppm, 15.0K, 1%	Koa Speer RK73H1JTDD1502F
R126	Resistor, thickfilm, SMD0603, 0.1W, 50V, 100ppm, 15.0K, 1%	Koa Speer RK73H1JTDD1502F
R127	Resistor, thickfilm, SMD0603, 0.1W, 50V, 100ppm, 15.0R, 1%	Koa Speer RK73H1JTDD15R0F
R128	Resistor, thickfilm, SMD0603, 0.1W, 50V, 100ppm, 15.0R, 1%	Koa Speer RK73H1JTDD15R0F
R131	Resistor, thickfilm, SMD0603, 0.1W, 50V, 100ppm, 100K, 1%	Koa Speer RK73H1JTDD1003F
RN1	Resistor, thickfilm, quad, SMD0805, convex terminals, 0.063W, 50V, 200ppm, 33R, 5%	Phycomp 235003311339L
RN2	Resistor, thickfilm, quad, SMD0805, convex terminals, 0.063W, 50V, 200ppm, 33R, 5%	Phycomp 235003311339L
RN3	Resistor, thickfilm, quad, SMD0805, convex terminals, 0.063W, 50V, 200ppm, 33R, 5%	Phycomp 235003311339L
RN4	Resistor, thickfilm, quad, SMD0805, convex terminals, 0.063W, 50V, 200ppm, 33R, 5%	Phycomp 235003311339L
RN5	Resistor, thickfilm, quad, SMD0805, convex terminals, 0.063W, 50V, 200ppm, 33R, 5%	Phycomp 235003311339L
RN6	Resistor, thickfilm, quad, SMD0805, convex terminals, 0.063W, 50V, 200ppm, 33R, 5%	Phycomp 235003311339L
RN7	Resistor, thickfilm, quad, SMD0805, convex terminals, 0.063W, 50V, 200ppm, 33R, 5%	Phycomp 235003311339L
RN8	Resistor, thickfilm, quad, SMD0805, convex terminals, 0.063W, 50V, 200ppm, 33R, 5%	Phycomp 235003311339L
TR1	Transistor, NPN, SMD SOT-23 case, 32V, 0.1A, general purpose, BCW32	NXP BCW32
X2	Connector, pinrow, straight, 2.54mm pitch, 0.64mm sq pin, PCB, SMD,male, 5.84mm head, gold, 2x5-way	AMP 146130-4
X3	Connector, pinrow, straight, 2.54mm pitch, 0.64mm sq pin, PCB, SMD,male, 5.84mm head, gold, 2x5-way	AMP 146130-4
X4	Connector, pinrow, straight, 2.54mm pitch, 0.64mm sq pin, PCB, SMD,male, 5.84mm head, gold, 2x5-way	AMP 146130-4
X6	Connector, pinrow, straight, 2.54mm pitch, 0.64mm sq pin, PCB, TH,male, 5.84mm head, 3.05mm tail, tin, 2x20-way	Sullins PEC20DAAN
X8	Connector, pinrow, straight, 2.54mm pitch, 0.64mm sq pin, PCB, SMD,male, 5.84mm head, gold, 2x5-way	AMP 146130-4
X9	Connector, AMP Micro Match, PCB Through hole, female, 2x10	Tyco 2-215079-0 (REEL)
X10	Connector, AMP Micro Match, PCB Through hole, female, 2x10	Tyco 2-215079-0 (REEL)
X11	Connector, AMP Micro Match, PCB Through hole, female, 2x10	Tyco 2-215079-0 (REEL)
X12	Connector, AMP Micro Match, PCB Through hole, female, 2x10	Tyco 2-215079-0 (REEL)
X13	Connector, AMP Micro Match, PCB Through hole, female, 2x10	Tyco 2-215079-0 (REEL)
XT1	Crystal, SMD HC49/4H case, 14.7456MHz, 50ppm, 18pF load	Citizen HCM49 14.7456MABJ-UT
XT2	Crystal, SMD 8.7x3.4mm case, 32.768KHz, 20ppm	CMAC 32.7680KHz 85SMX 20/-/12.5 XTAL003000
XT3	Crystal, SMD HC49/4H case, 25MHz, 50ppm, 18pF load	Farnell 1457105
X18	Connector, pinrow, straight, 2.54mm pitch, 0.64mm sq pin, PCB, TH,male, 5.84mm head, 3.05mm tail, tin, 2x5-way	AMP 146256-5

⚡ POWER RELAY PCB 320358 (PR01C)

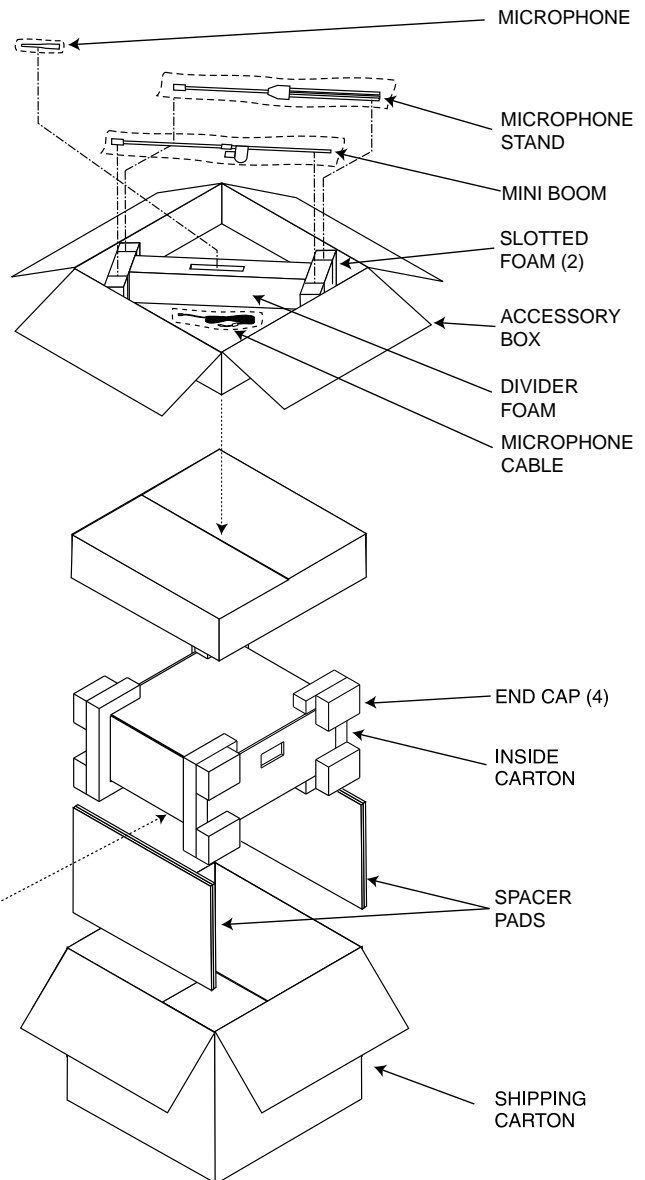
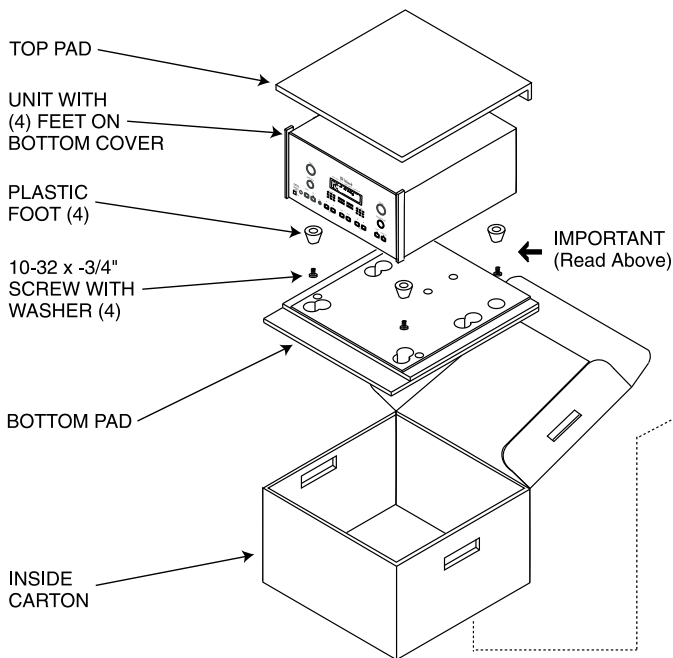
Ref. No.	Description	AVL
C1	Capacitor, TH, 5mm pinspacing, radial, 7.2x6.5x2.5mm, PET, metalized, 100nF, 63V, 20%	Wima MKS2 100n 20% 63V
C2	Capacitor, TH, 5mm pinspacing, radial, 7.2x6.5x2.5mm, PET, metalized, 100nF, 63V, 20%	Wima MKS2 100n 20% 63V
C3	Capacitor, TH, 5mm pinspacing, radial, 7.2x6.5x2.5mm, PET, metalized, 100nF, 63V, 20%	Wima MKS2 100n 20% 63V
C4	Capacitor, TH, 5mm pinspacing, radial, 7.2x6.5x2.5mm, PET, metalized, 100nF, 63V, 20%	Wima MKS2 100n 20% 63V
C5	Capacitor, TH, 5mm pinspacing, radial, 7.2x6.5x2.5mm, PET, metalized, 100nF, 63V, 20%	Wima MKS2 100n 20% 63V
C6	Capacitor, TH 10x13mm radial, AL, 2000hrs, 105C, 330uF, 25V, 0.33A, 20%	Hitano EHR331M25AT2
D1	Opto, LED lamp, TH flat top round 3x6mm, red 625nm, 5mcd, WP424IDT	Kingbright WP424IDT
D2	Diode, rectifier, single, TH, 1000V, 1A, DO-41 case, 1N4007	Vishay 1N4007
F2	Fuseholder, open, 5x20mm fuse, TH, plastic body, bronze, tinned, 22mm pinspacing, 250V, 6.3A	Bussmann HTC-45M
F2_1	Fuse, glass, 5x20mm, slow, T500mAL/250V, IR 35A/250VAC	Bussmann S506-500-R
F3	Inductor, ferrite bead, TH, 6.0x10mm, 950R @ 100MHz, 25%	Würth Elektronik 74275013
F4	Fuseholder, open, 5x20mm fuse, TH, plastic body, bronze, tinned, 22mm pinspacing, 250V, 6.3A	Bussmann HTC-45M
F4_1	Fuse, ceramic, 5x20mm, slow, T5AH/250V, IR 1500A/250VAC	Bussmann S505-5-R
IC1	DC supply, internal, 5V 1A, PCB mount, 85-264VAC in, NFM-05-5	Mean Well NFM-05-5
R1	Resistor, metal alloy, axial, TH 2.5x6.5mm, 0.4W, 250V, 100ppm, 1.0K, 5%	Vishay 2322 181 53102
R2	Resistor, metal alloy, axial, TH 2.5x6.5mm, 0.4W, 250V, 100ppm, 1.0K, 5%	Vishay 2322 181 53102
R3	Resistor, metal alloy, axial, TH 2.5x6.5mm, 0.4W, 250V, 100ppm, 330R, 5%	Vishay 2322 181 53331
RL2	Relay, TH 29.4x12.5x25.2mm, monostable, 5V DC, 91mA, 55R, DPDT, silver, 250 VAC, 10A, 4KV insulation	Carlo Gavazzi MZPA 002 4210
TR1	Transistor, NPN, TH TO-92 case, 60V, 1A, general purpose, BC637	Fairchild BC637
TR2	Transistor, NPN, TH TO-92 case, 60V, 1A, general purpose, BC637	Fairchild BC637
X1	Connector, pinrow, straight, 2.54mm pitch, 0.64mm sq pin, PCB, TH,male, 5.84mm head, 3.05mm tail, tin, 1x2-way	Sullins PEC02SAAN
X2	Connector, pinrow, straight, 7.92mm pitch, 1.14mm sq pin, PCB, TH, male, tin, friction lock, 1x3-way	Molex 10-63-4037
X3	Connector, pinrow, straight, 7.92mm pitch, 1.14mm sq pin, PCB, TH, male, tin, friction lock, 1x3-way	Molex 10-63-4037
X4	Connector, DUAC., straight, 4.2mm pitch, PCB, TH, male, tin, 2x05-way	AMP 1-1586495-0
X5	Connector, DUAC., straight, 4.2mm pitch, PCB, TH, male, tin, 2x05-way	AMP 1-1586495-0
X7	Connector, DUAC., straight, 4.2mm pitch, PCB, TH, male, tin, 2x05-way	AMP 1-1586495-0
X6	Connector, pinrow, straight, 3.96mm pitch, 1.14mm sq pin, PCB, TH, male, tin, friction lock, 1x13-way	Molex 26-60-4130

REPACKING INSTRUCTIONS

In the event it is necessary to repack the equipment for shipment, the equipment must be packed exactly as shown below. It is very important that the four plastic feet are attached to the bottom of the equipment. Four 1/4 - 20x2-1/4 inch screws and washers must be used to fasten the unit securely to the bottom pad and wood skid. This will ensure the proper equipment location on the bottom pad. Failure to do this will result in shipping damage.

Use the original shipping carton and interior parts only if they are all in good serviceable condition. If a shipping carton or any of the interior part(s) are needed, please call or write Customer Service Department of McIntosh Laboratory. Refer to page 3. Please see the Part List for the correct part numbers.

Quantity	Part Number	Description
1	034052	Shipping carton top
1	034051	Shipping carton bottom
2	034054	Foam Pad (top and bottom)
2	034186	Foam Pad (front and rear)
2	034187	Foam Pad (sides)
1	034136	Inner carton top
1	034137	Inner carton bottom
1	034188	Foam Pad (inner carton)
1	034264	Shipping skid
4	401212	1/4 - 20x2-1/4 cap screw
4	104058	Flat washer



MX150

A/V CONTROL CENTER

SERIAL NO. ZJ1001 And Above



The continuous improvement of its products is the policy of McIntosh Laboratory Incorporated, who reserve the right to improve design without notice. Because of the constant upgrading of McIntosh products' circuitry and components, the Company cannot insure, and does not warrant, the accuracy of the within schematic material, which is intended for information only.