

McIntosh

MAC 4100

AM/FM RECEIVER

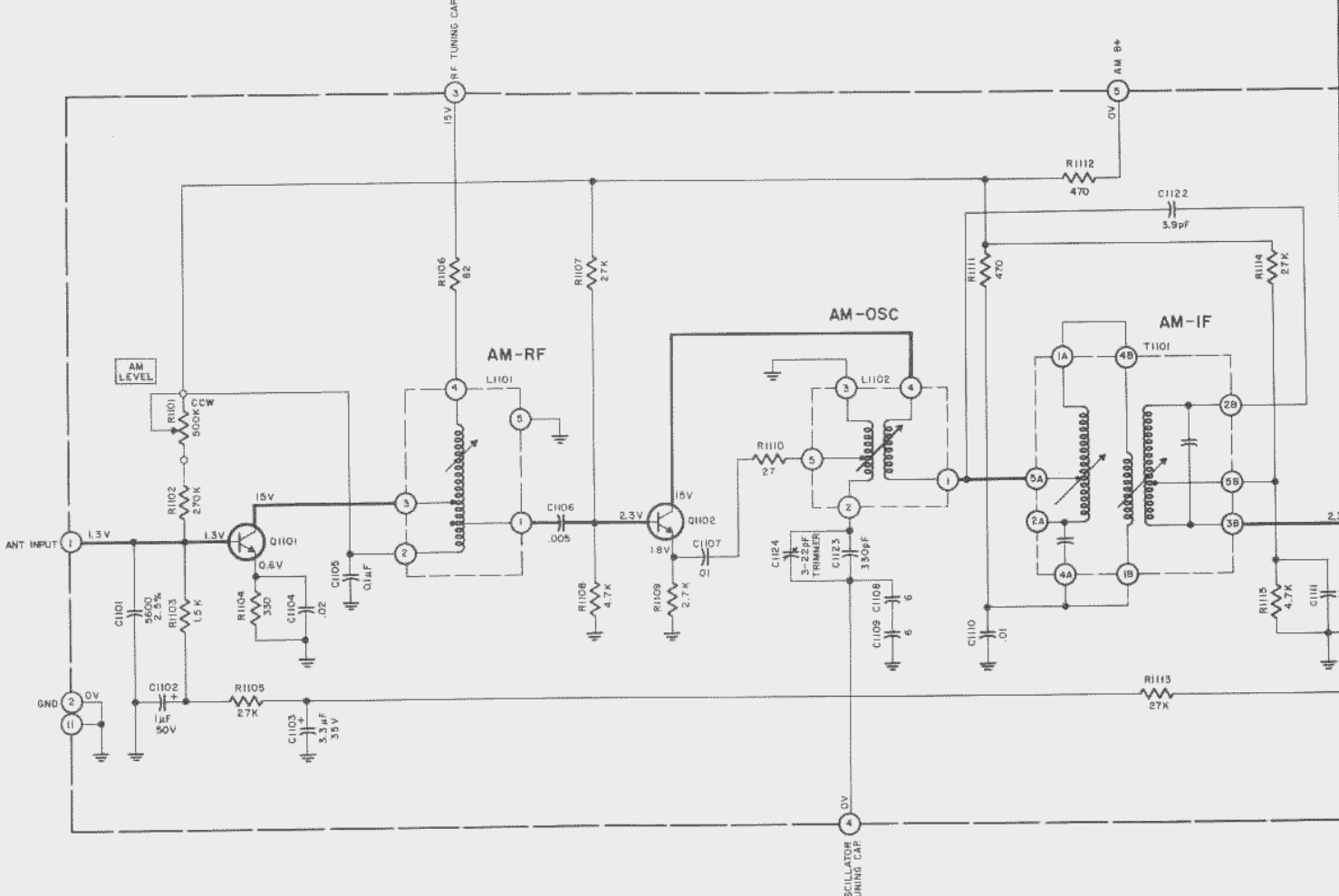
SERVICE INFORMATION

SERIAL NO. BY3001 AND ABOVE

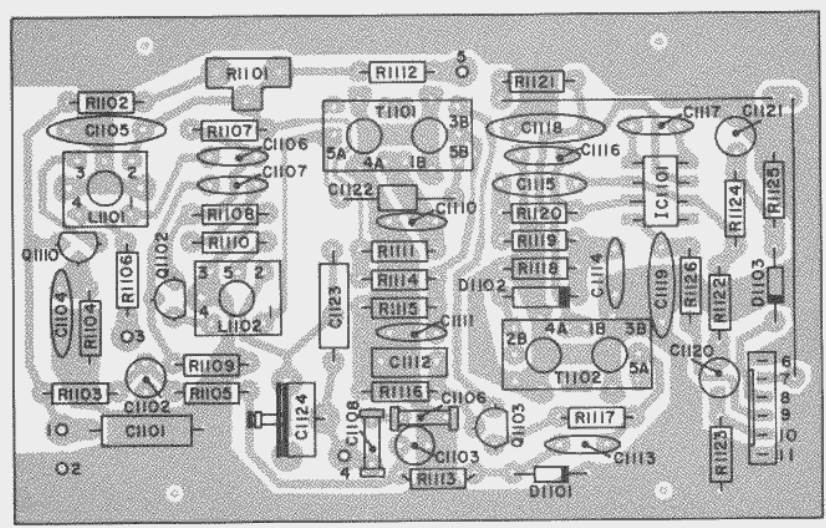
ADDENDUM: STARTING WITH SERIAL #BY 3001 AND ABOVE, PLEASE REFER TO AM-FM FRONT END P.C. BOARD ASSEMBLY #059020, AM P.C. BOARD #045458 AND THE INTER CONNECT DIAGRAM; ALL OF WHICH ARE LOCATED IN THIS FOLD OUT.
IN McINTOSH MAC 4100 SERIAL #BY 1001 TO BY 2990, REFER TO SERVICE MANUAL.

McINTOSH LABORATORY INC. BINGHAMTON, NEW YORK 13903

039204

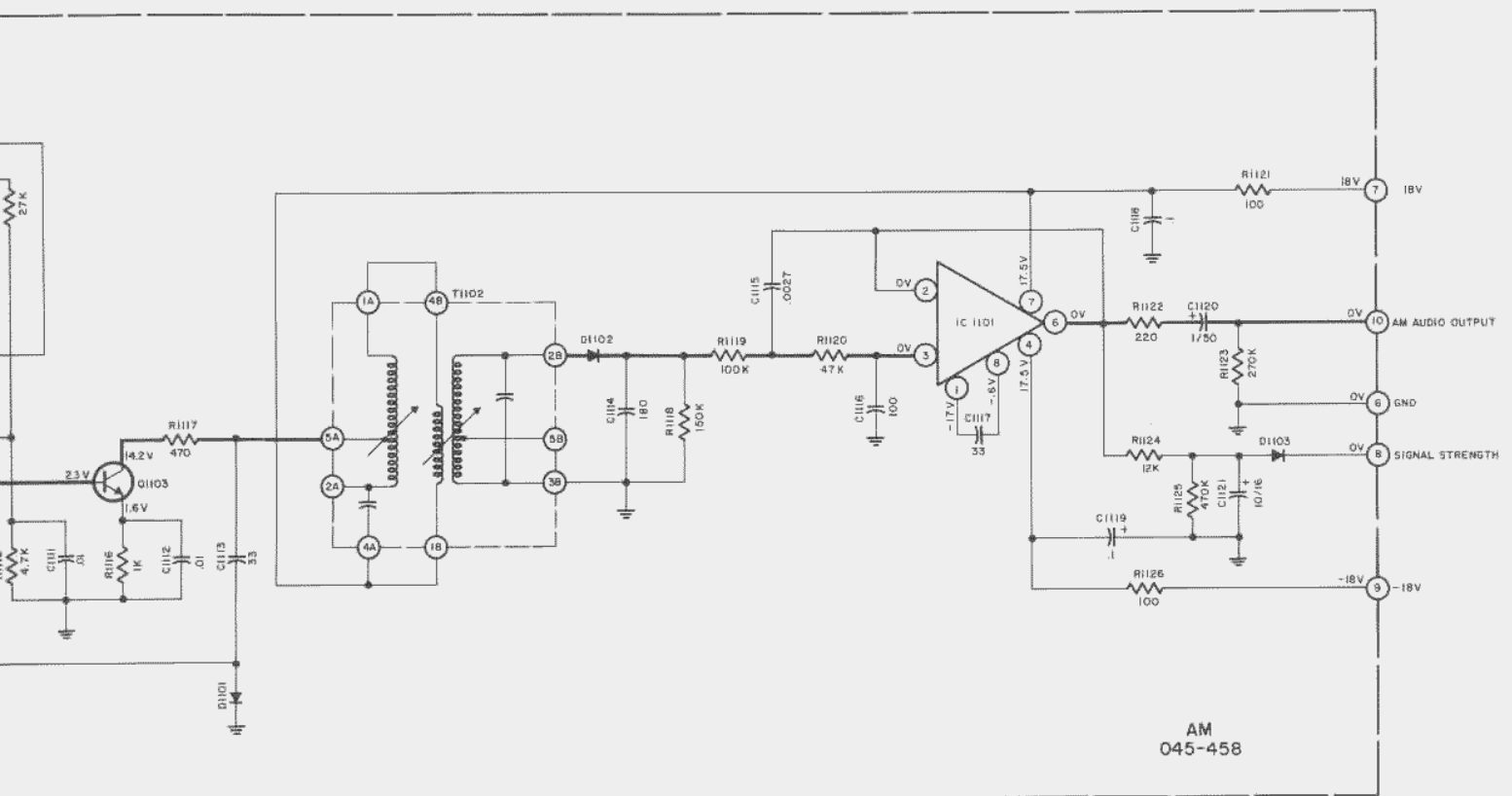


AM PC
045

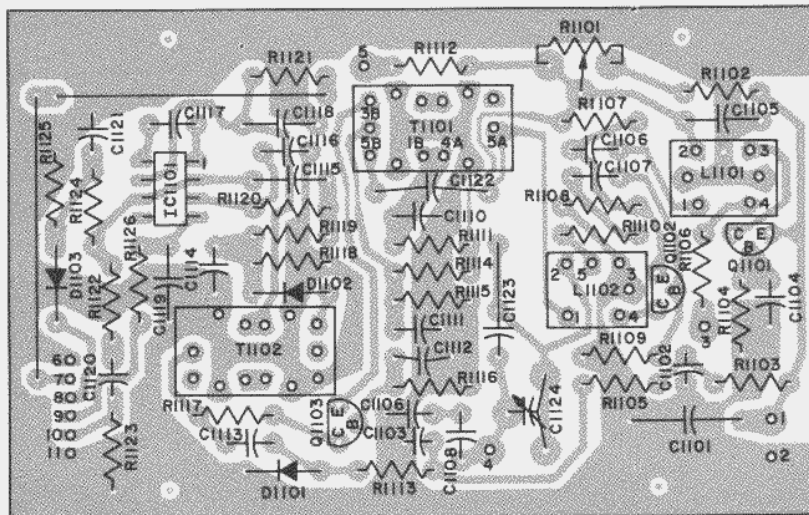


AM PC BOARD
045458

COMPONENT SIDE



PC BOARD
045458

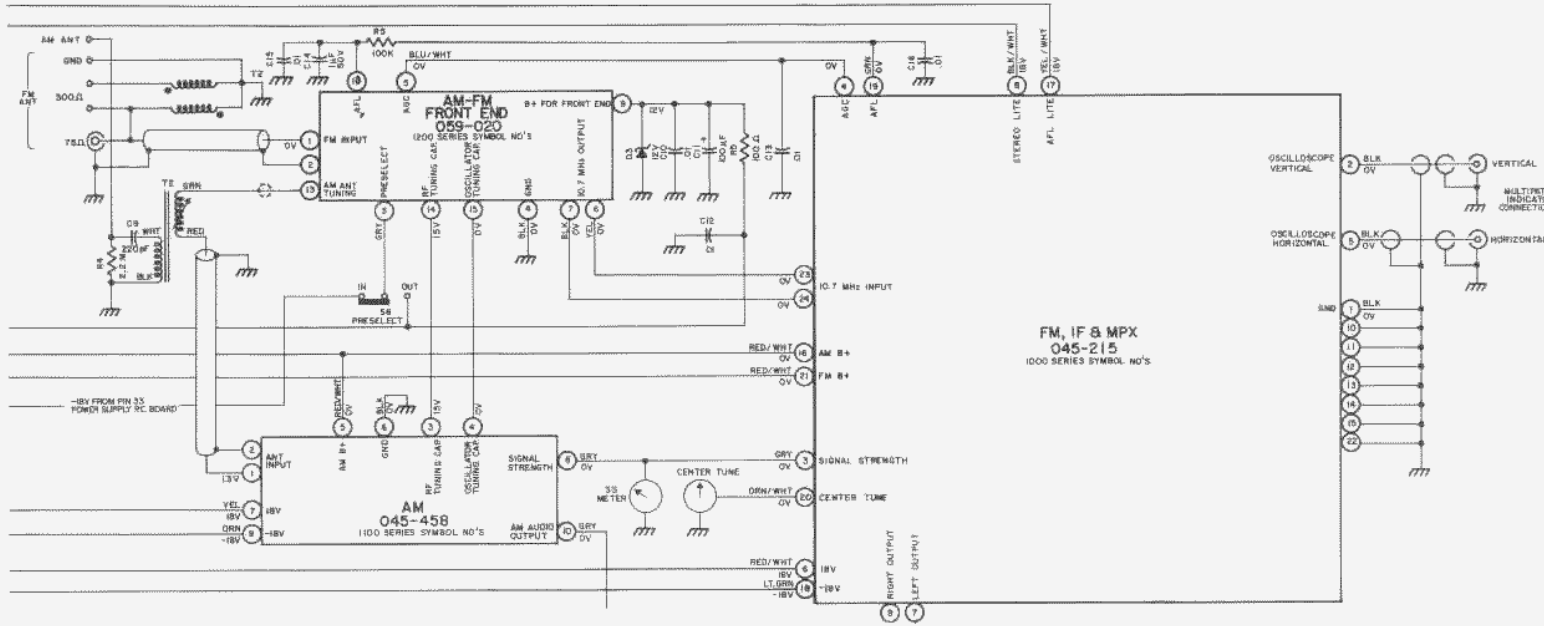


AM PC BOARD
045458

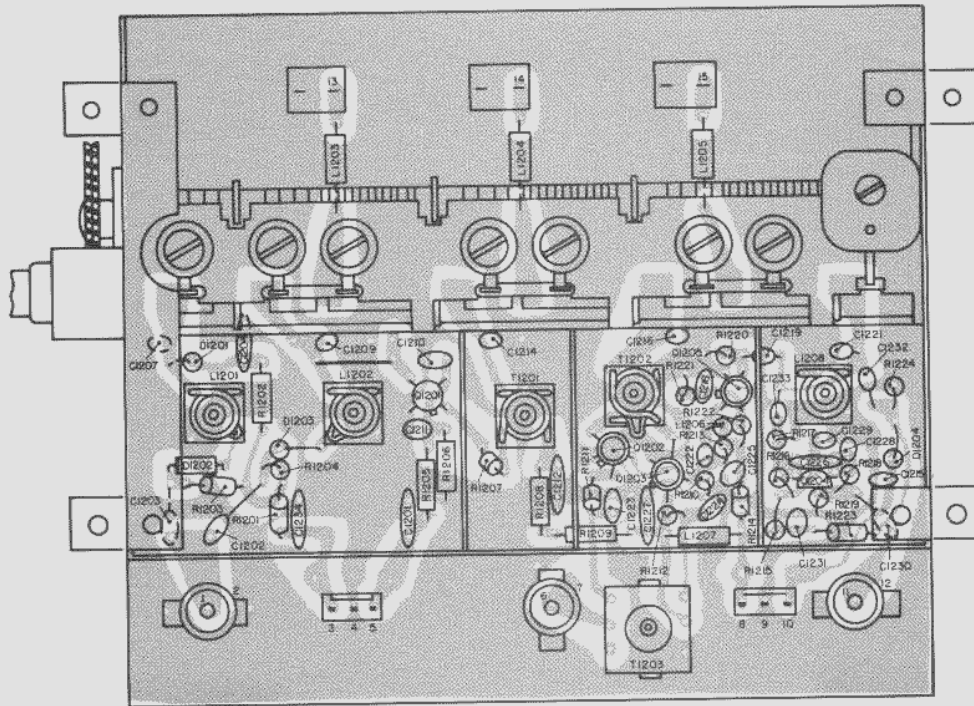
CIRCUIT SIDE

MAC4100

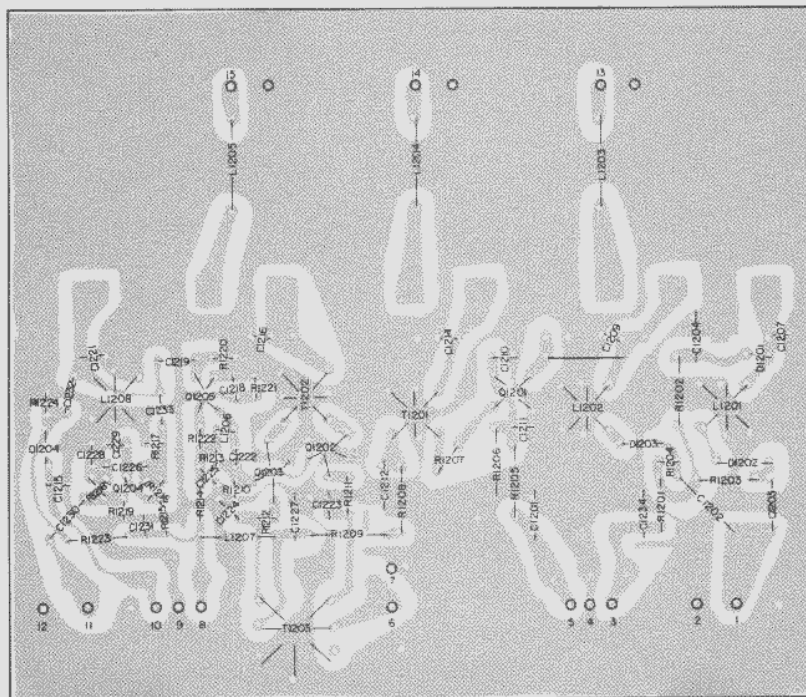
AM-FM FRONT END



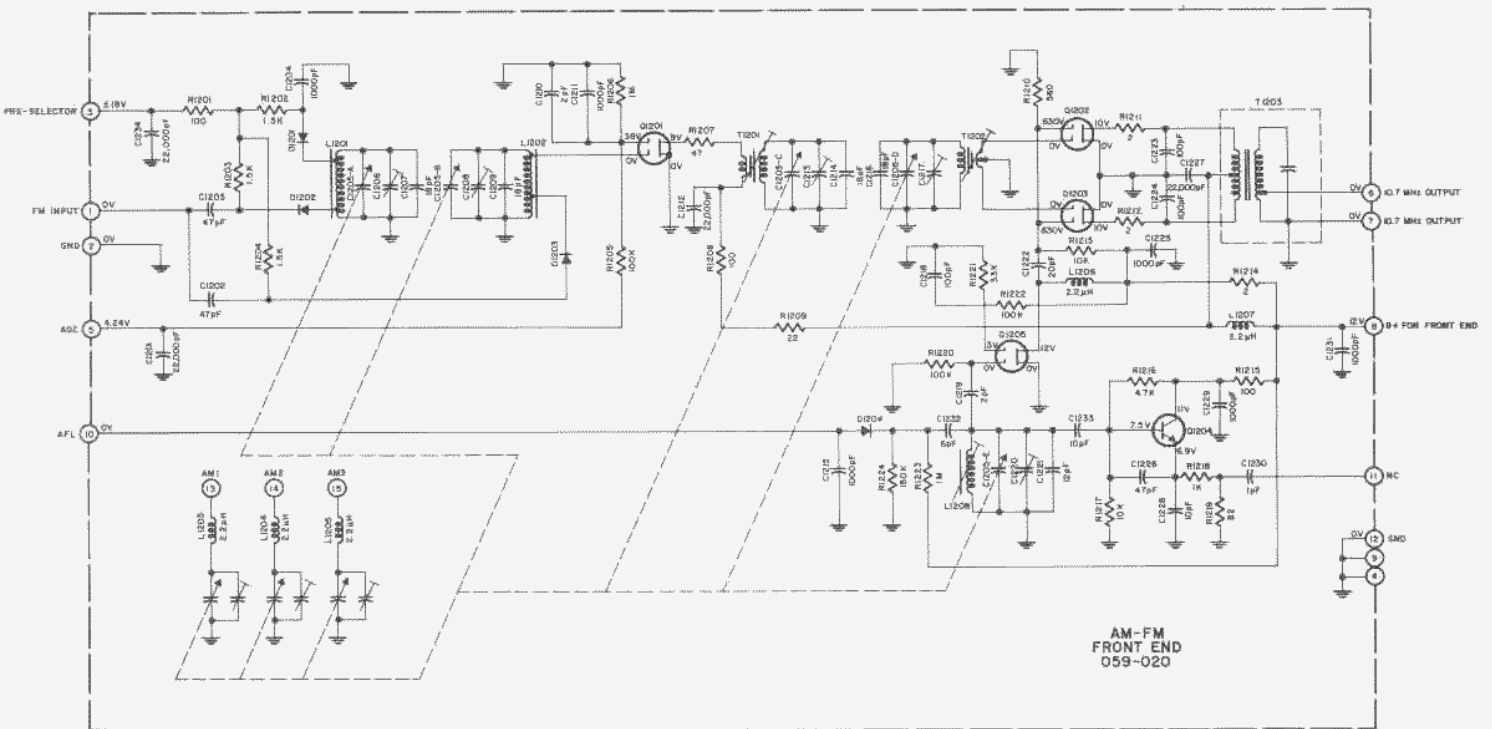
INTERCONNECT



AM-FM FRONT END PC BOARD
059-020
COMPONENT SIDE



AM-FM FRONT END PC BOARD
059-020
CIRCUIT SIDE



AM-FM FRONT END PC BOARD
059-020