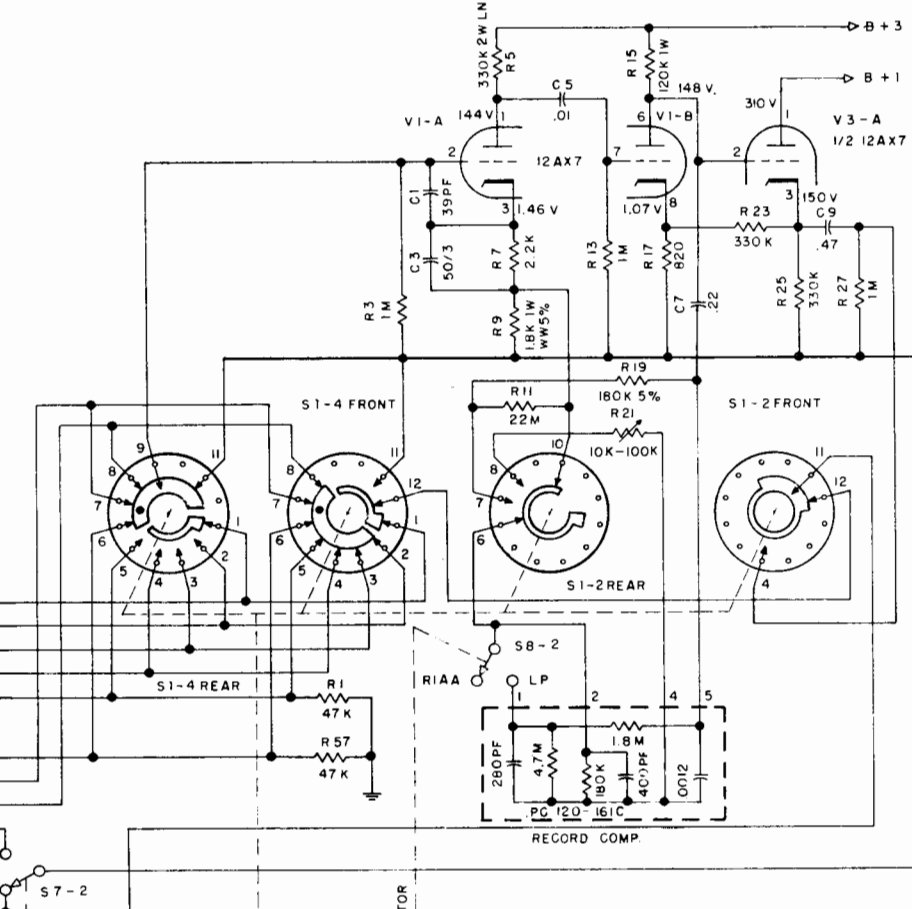


LEFT CHANNEL

LEFT CHANNEL INPUTS

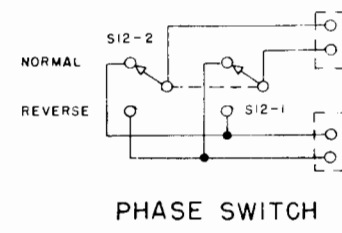
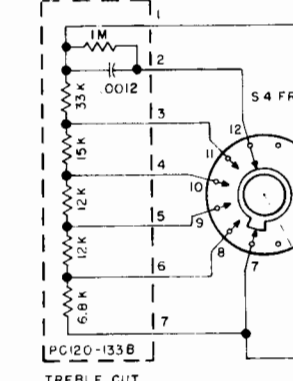
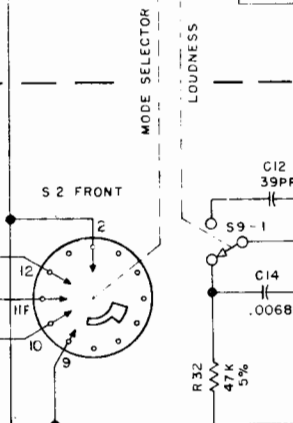
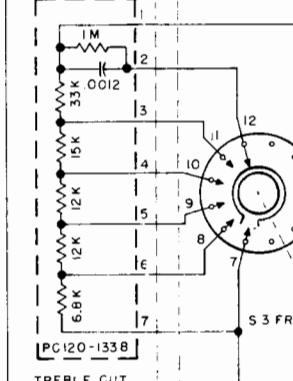
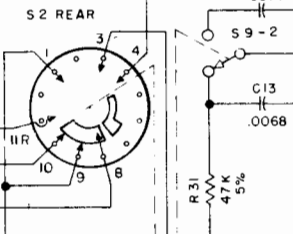
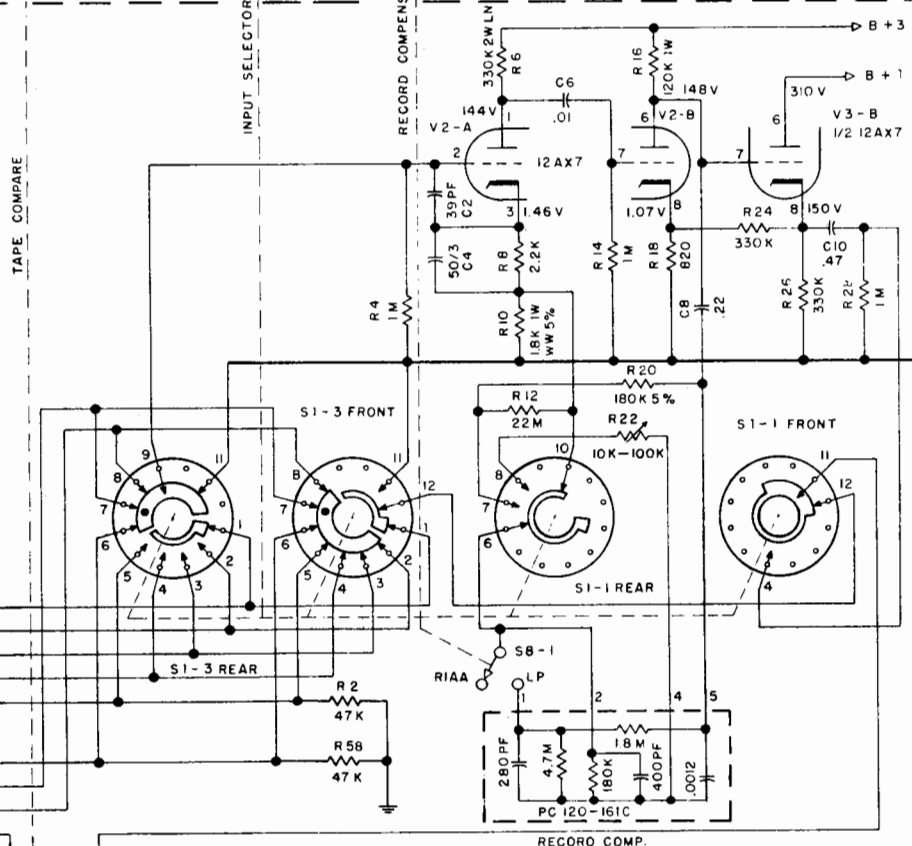
- AUX
- TAPE
- TUNER 1
- TUNER 2
- PHONO 1
- PHONO 2
- MIC.
- TAPE HD
- MONITOR INPUT
- MONITOR
- TAPE OUTPUT

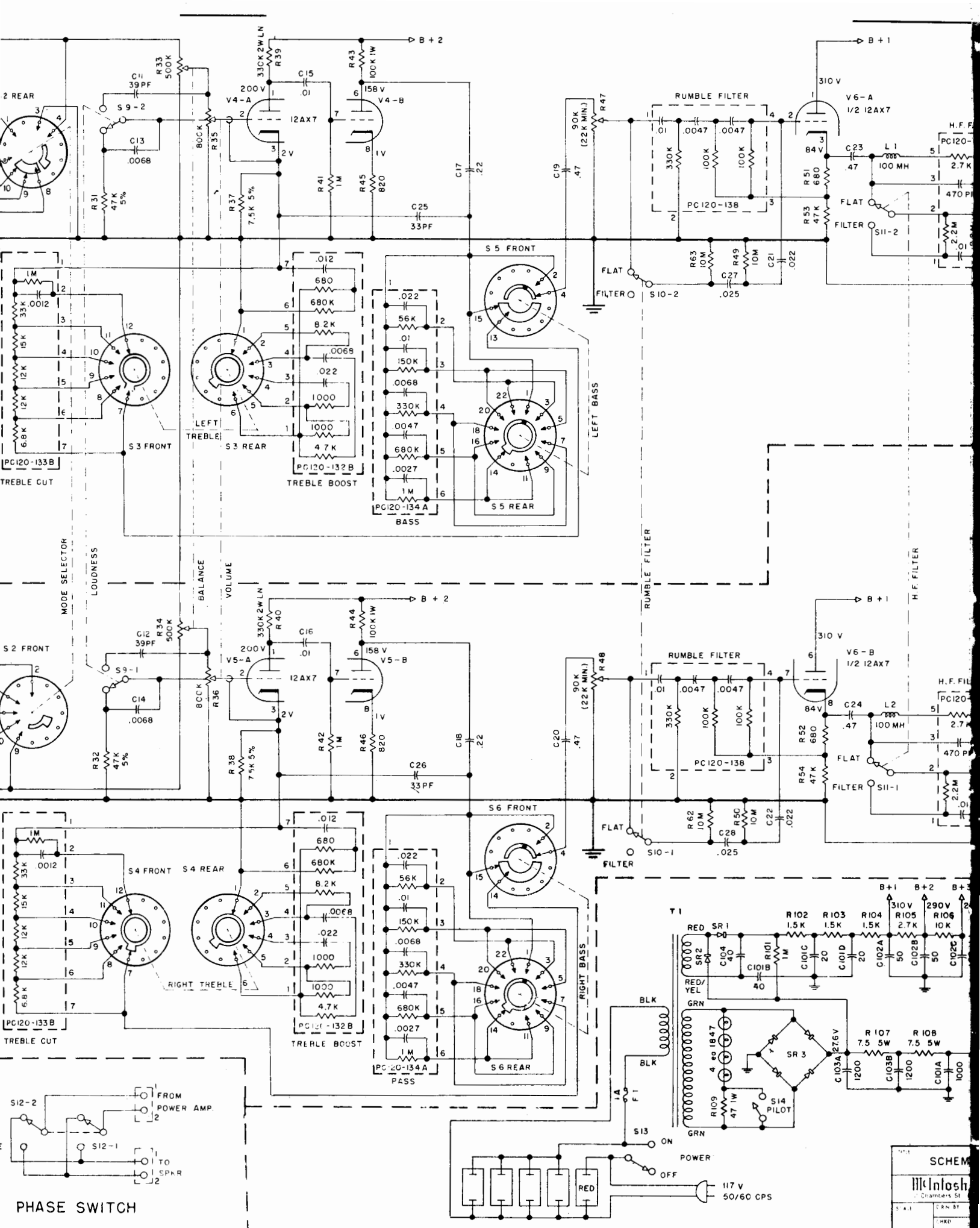


RIGHT CHANNEL

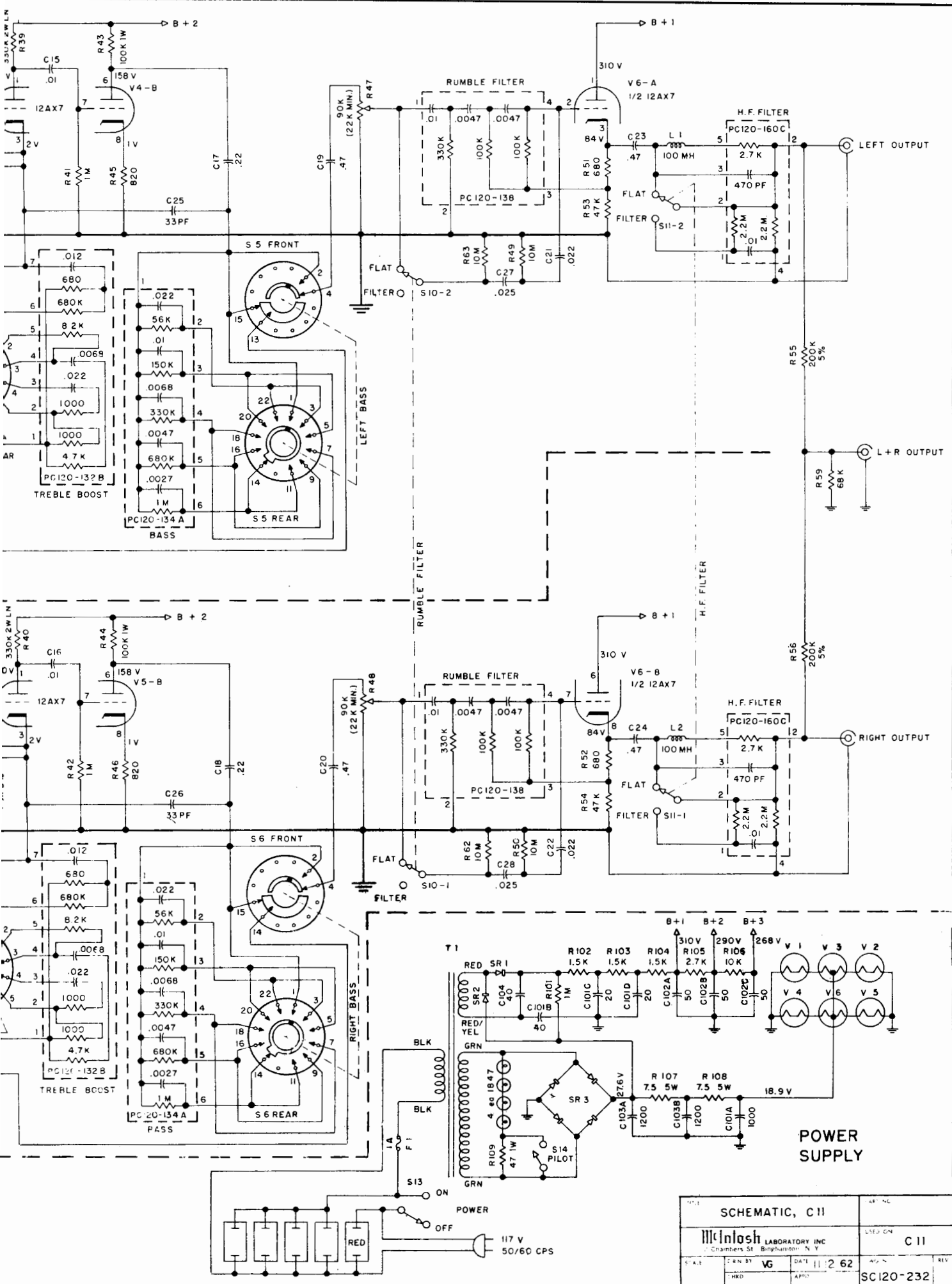
RIGHT CHANNEL INPUTS

- AUX
- TAPE
- TUNER 1
- TUNER 2
- PHONO 1
- PHONO 2
- MIC.
- TAPE HD
- MONITOR INPUT
- MONITOR
- TAPE OUTPUT





SCHEM
 McIntosh
 Clearwater St
 S. 43
 C. 43
 D. 43



SCHEMATIC, C11		DATE	
McIntosh LABORATORY INC. Chambers St. Binghamton, N.Y.		USED ON	C11
SCALE	DRAWN BY VG	DATE	11/2 62
CHKD	APPD	REV	SC120-232