

3 Red LED 3/4" Clearance Marker and Auxiliary Stop Tail Turn Light by Maxxima, not intended for stand alone use as a STT. Grommet mount, 3 wire leads for connection.



**3 LEDs**

Auxiliary Stop Tail Turn Light

Auxiliary Use Only - Must Be Used with Regulation Stop Tail Turn Light

Polycarbonate Lens and Housing & Sealed Moisture Proof Electronics

Optional Stainless Steel Bezel, Maxxima Part# M50112

5 Year Maxxima Warranty

<b>Function</b>
-----------------

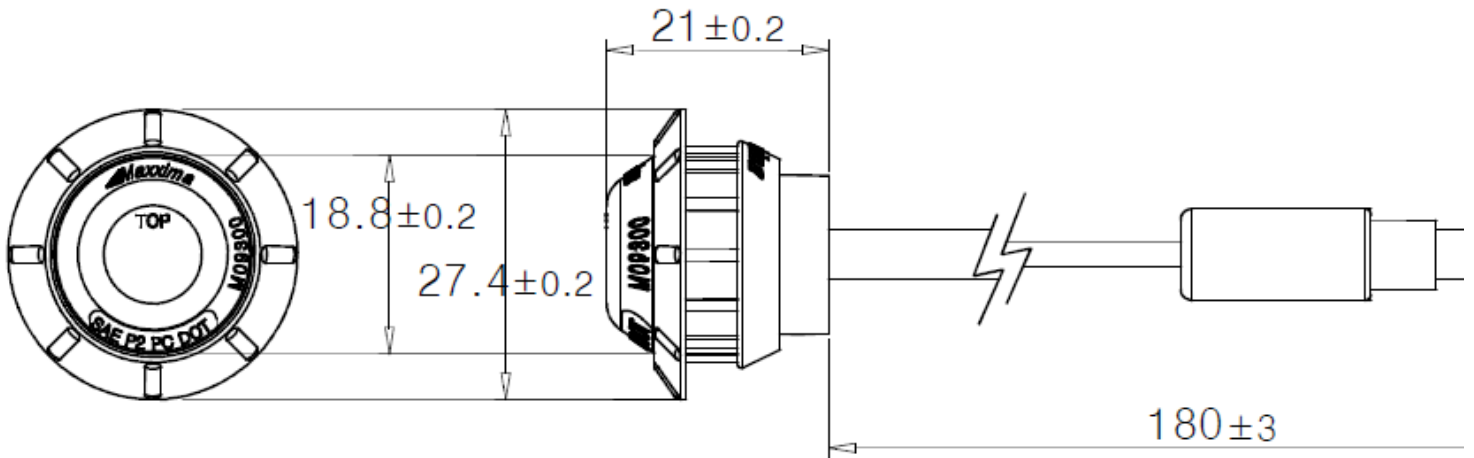
FMVSS 108 Standard..... **Yes**  
 DOT/SAE Spec..... **J592e**  
 Functions..... **Clearance / aux Stop/turn**  
 Functions Comments..... **has wire splice 1-3/4" x 1/2" x 3/8"**

Legal Heading..... **P2**  
 Origin Product..... **S. Korea**  
 Dimensions..... **0.75" dia x 1" high. Hole cutout for grommet: 3/4" dia**  
**Recommended panel thickness: 0.047" - 0.177"**

<b>Specification</b>
----------------------

No.Leds..... <b>3</b> Led Type..... Led Color..... <b>Red</b> Color Temp..... <b>N/A</b> Beam Pattern..... <b>N/A</b>  Voltage (DC)..... <b>12.8</b> Amperage Draw..... <b>.04 / .01</b> Polarity Sensitive..... <b>Yes</b>  Lumens..... <b>N/A</b>  Lens Material..... <b>Polycarbonate *</b> Maxxshield Coat..... <b>No</b> Body Material..... <b>Polycarbonate</b>  Operating Temp..... <b>-40 C to + 50 C</b>	Termination..... <b>3 wires</b> Connector Supplied..... <b>no</b> Gasket..... <b>No</b>  Wire Gauge..... <b>22 AWG</b> Wire Color..... <b>Red / Black / White</b> Individual Pack..... Master Pack..... <b>200</b> Shipping Weight..... <b>0.093</b> Warning Label..... Proprietary Tag..... Warranty..... <b>5 years</b>  Accessories..... <b>M50112</b>
---	--

In an effort to continuously improve product performance and reliability, the specifications and product are subject to change without prior notice. Maxxima is a registered trademark of the PANOR CORPORATION



In an effort to continuously improve product performance and reliability, the specifications and product are subject to change without prior notice.  
Maxxima is a registered trademark of the PANOR CORPORATION