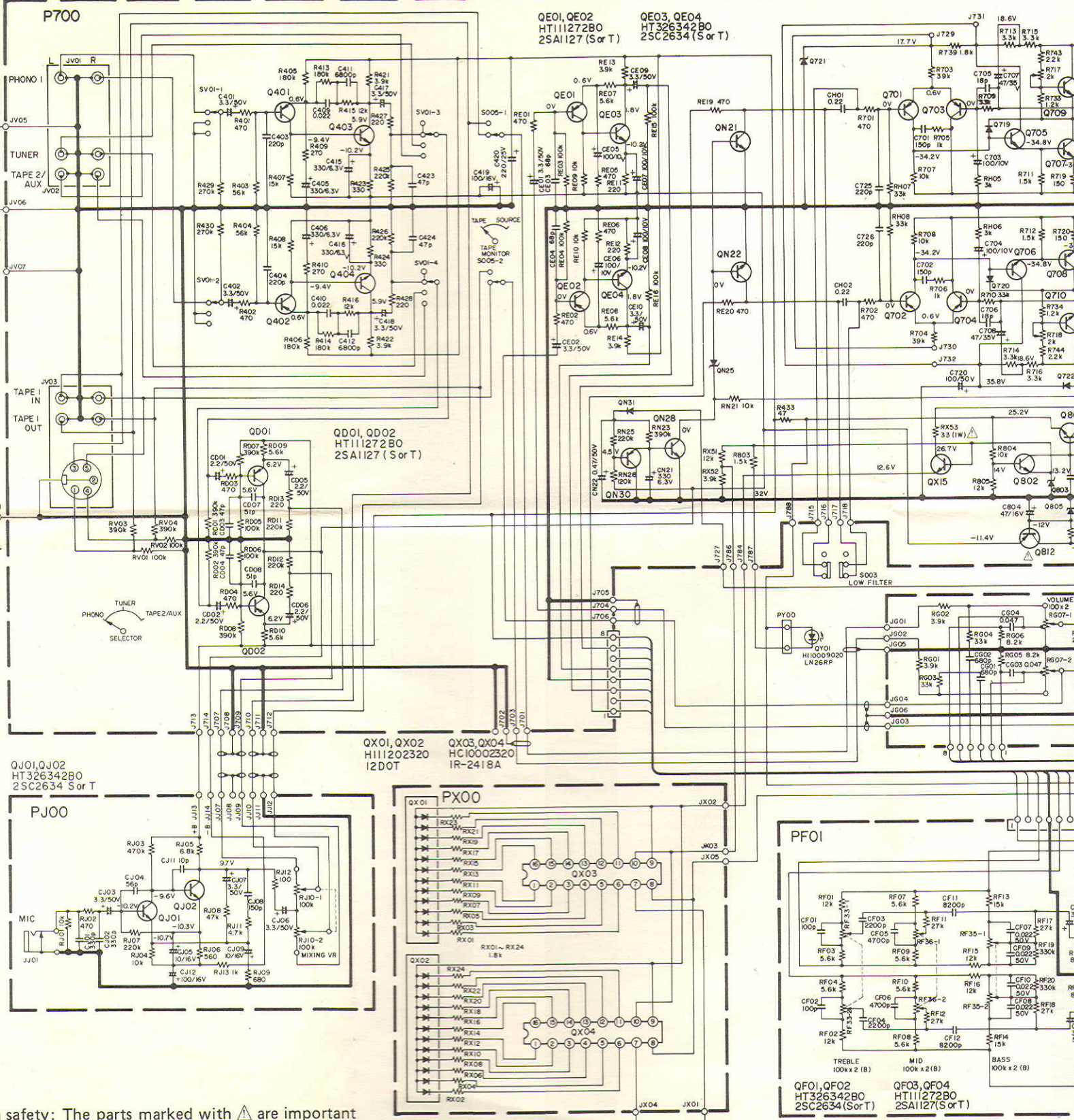


- Q401, Q402 HT111272B0 2SA1127 (S or T)
- Q403, Q404 HT326342B0 2SC2634 (S or T)
- Q701 ~ Q704 HT111272B0 2SA1127 (S or T)
- Q705, Q706 HT314001E0 2SC1400 (E)
- Q707, Q708 HT406662C0 2SD666 (C or D)
- Q709, Q710 HT326342B0 2SC2634 (S or T)
- Q711, Q712 HT322742B0 2SC2274 (E or F)
- Q713, Q714 HT109842B0 2SA984 (E or F)
- Q715, Q716 HT325772B0 2SC2577 (O or Y)
- Q717, Q718 HT110222B0 2SA1102 (O or Y)
- Q719, Q720 HD2000321 IS2471



on safety: The parts marked with  $\Delta$  are important parts on the safety. Please use the parts having the designated parts number without fail.

- QF01, QF02 HT326342B0 2SC2634 (S or T)
- QF03, QF04 HT111272B0 2SA1127 (S or T)

# CIRCUIT DIAGRAM FOR MODEL PM-250

Q717, Q718 HT11022B0  
2SA1102(Or Y)

Q719, Q720 HD2000321  
1S2471

Q721, Q722 HD20005010  
W06B

Q801 HT406672E0  
2SD667(Bor C)

Q802, Q813 HT326342B0  
2SC2634(S or T)

Q803 HD30024090  
WZ-120

Q805 HD30024090  
WZ-120

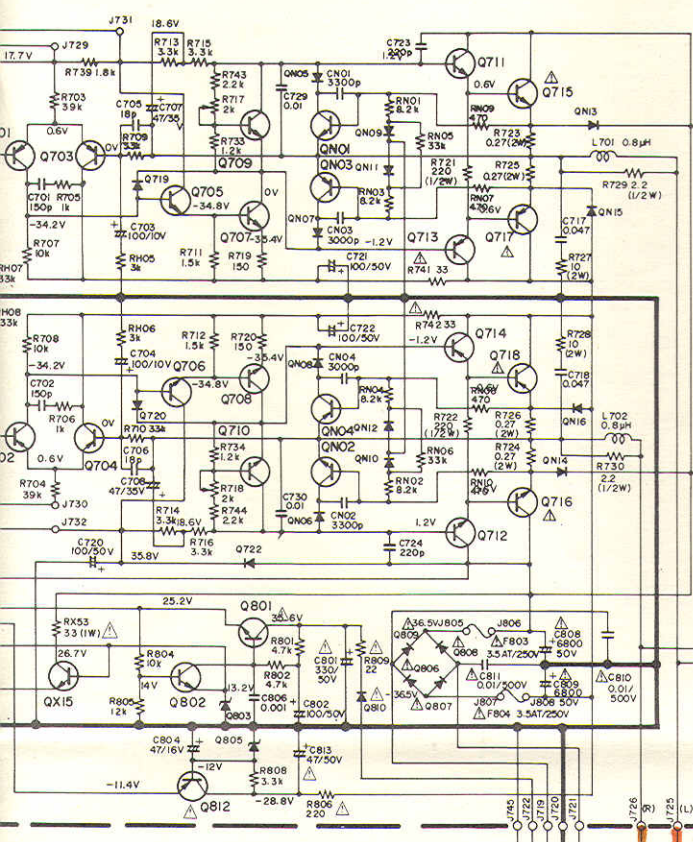
Q806 ~ Q809 HD20009290  
S2V-20

Q810 HD20005010  
W06B

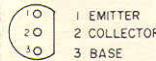
Q812 HT206472E0  
2SB647(B or C)

Q901, Q902, Q921 Q903, Q904, Q923  
Q922, Q928 Q924, Q930  
HT326342B0 or HT314001E0 HT11272B0 or HT107501E0  
2SC2634(S or T) 2SA1127(S or T)

Q905 ~ Q912 HD20011050 Q913 ~ Q916, Q931 Q925 Q915  
IS1555 HD20005010 W06B HD30023090 WZ071 HT403302A0  
2SD330



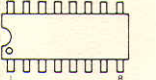
### BOTTOM VIEW



### SIDE VIEW

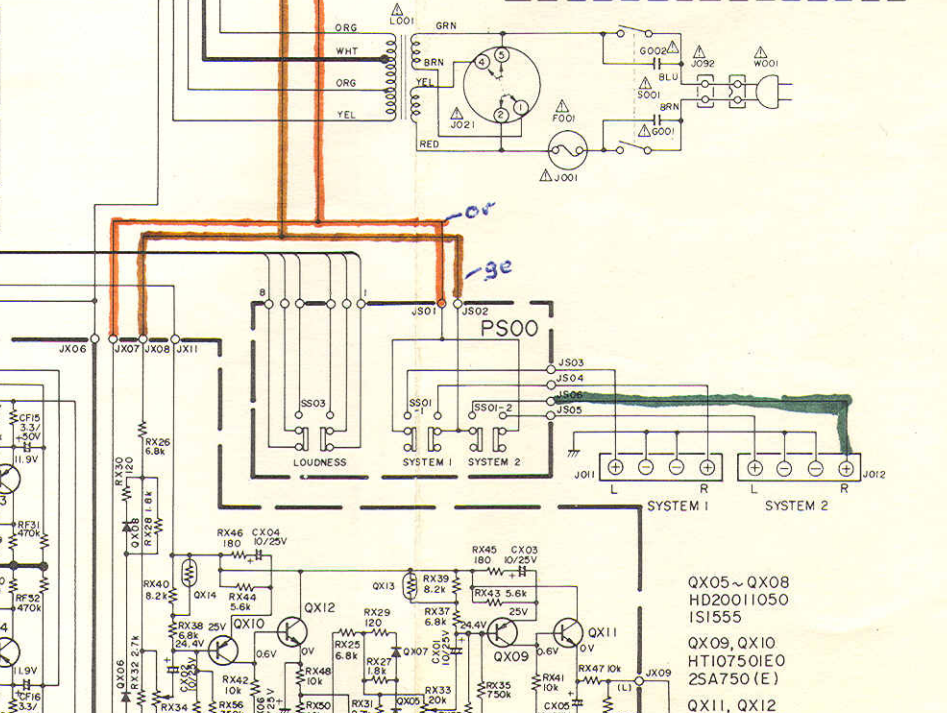
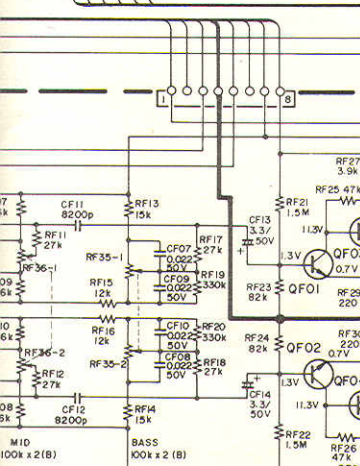
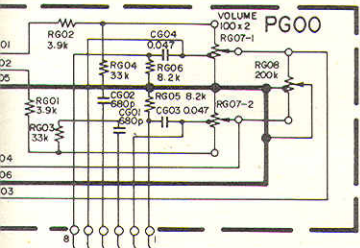
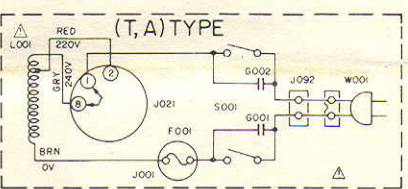


### TOP VIEW



Q401, Q402, Q403, Q404, Q405, Q406, Q407, Q408, Q409, Q410, Q411, Q412, Q413, Q414, Q415, Q416, Q417, Q418, Q419, Q420, Q421, Q422, Q423, Q424, Q425, Q426, Q427, Q428, Q429, Q430, Q431, Q432, Q433, Q434, Q435, Q436, Q437, Q438, Q439, Q440, Q441, Q442, Q443, Q444, Q445, Q446, Q447, Q448, Q449, Q450, Q451, Q452, Q453, Q454, Q455, Q456, Q457, Q458, Q459, Q460, Q461, Q462, Q463, Q464, Q465, Q466, Q467, Q468, Q469, Q470, Q471, Q472, Q473, Q474, Q475, Q476, Q477, Q478, Q479, Q480, Q481, Q482, Q483, Q484, Q485, Q486, Q487, Q488, Q489, Q490, Q491, Q492, Q493, Q494, Q495, Q496, Q497, Q498, Q499, Q500, Q501, Q502, Q503, Q504, Q505, Q506, Q507, Q508, Q509, Q510, Q511, Q512, Q513, Q514, Q515, Q516, Q517, Q518, Q519, Q520, Q521, Q522, Q523, Q524, Q525, Q526, Q527, Q528, Q529, Q530, Q531, Q532, Q533, Q534, Q535, Q536, Q537, Q538, Q539, Q540, Q541, Q542, Q543, Q544, Q545, Q546, Q547, Q548, Q549, Q550, Q551, Q552, Q553, Q554, Q555, Q556, Q557, Q558, Q559, Q560, Q561, Q562, Q563, Q564, Q565, Q566, Q567, Q568, Q569, Q570, Q571, Q572, Q573, Q574, Q575, Q576, Q577, Q578, Q579, Q580, Q581, Q582, Q583, Q584, Q585, Q586, Q587, Q588, Q589, Q590, Q591, Q592, Q593, Q594, Q595, Q596, Q597, Q598, Q599, Q600, Q601, Q602, Q603, Q604, Q605, Q606, Q607, Q608, Q609, Q610, Q611, Q612, Q613, Q614, Q615, Q616, Q617, Q618, Q619, Q620, Q621, Q622, Q623, Q624, Q625, Q626, Q627, Q628, Q629, Q630, Q631, Q632, Q633, Q634, Q635, Q636, Q637, Q638, Q639, Q640, Q641, Q642, Q643, Q644, Q645, Q646, Q647, Q648, Q649, Q650, Q651, Q652, Q653, Q654, Q655, Q656, Q657, Q658, Q659, Q660, Q661, Q662, Q663, Q664, Q665, Q666, Q667, Q668, Q669, Q670, Q671, Q672, Q673, Q674, Q675, Q676, Q677, Q678, Q679, Q680, Q681, Q682, Q683, Q684, Q685, Q686, Q687, Q688, Q689, Q690, Q691, Q692, Q693, Q694, Q695, Q696, Q697, Q698, Q699, Q700, Q701, Q702, Q703, Q704, Q705, Q706, Q707, Q708, Q709, Q710, Q711, Q712, Q713, Q714, Q715, Q716, Q717, Q718, Q719, Q720, Q721, Q722, Q723, Q724, Q725, Q726, Q727, Q728, Q729, Q730, Q731, Q732, Q733, Q734, Q735, Q736, Q737, Q738, Q739, Q740, Q741, Q742, Q743, Q744, Q745, Q746, Q747, Q748, Q749, Q750, Q751, Q752, Q753, Q754, Q755, Q756, Q757, Q758, Q759, Q760, Q761, Q762, Q763, Q764, Q765, Q766, Q767, Q768, Q769, Q770, Q771, Q772, Q773, Q774, Q775, Q776, Q777, Q778, Q779, Q780, Q781, Q782, Q783, Q784, Q785, Q786, Q787, Q788, Q789, Q790, Q791, Q792, Q793, Q794, Q795, Q796, Q797, Q798, Q799, Q800, Q801, Q802, Q803, Q804, Q805, Q806, Q807, Q808, Q809, Q810, Q811, Q812, Q813, Q814, Q815, Q816, Q817, Q818, Q819, Q820, Q821, Q822, Q823, Q824, Q825, Q826, Q827, Q828, Q829, Q830, Q831, Q832, Q833, Q834, Q835, Q836, Q837, Q838, Q839, Q840, Q841, Q842, Q843, Q844, Q845, Q846, Q847, Q848, Q849, Q850, Q851, Q852, Q853, Q854, Q855, Q856, Q857, Q858, Q859, Q860, Q861, Q862, Q863, Q864, Q865, Q866, Q867, Q868, Q869, Q870, Q871, Q872, Q873, Q874, Q875, Q876, Q877, Q878, Q879, Q880, Q881, Q882, Q883, Q884, Q885, Q886, Q887, Q888, Q889, Q890, Q891, Q892, Q893, Q894, Q895, Q896, Q897, Q898, Q899, Q900, Q901, Q902, Q903, Q904, Q905, Q906, Q907, Q908, Q909, Q910, Q911, Q912, Q913, Q914, Q915, Q916, Q917, Q918, Q919, Q920, Q921, Q922, Q923, Q924, Q925, Q926, Q927, Q928, Q929, Q930, Q931, Q932, Q933, Q934, Q935, Q936, Q937, Q938, Q939, Q940, Q941, Q942, Q943, Q944, Q945, Q946, Q947, Q948, Q949, Q950, Q951, Q952, Q953, Q954, Q955, Q956, Q957, Q958, Q959, Q960, Q961, Q962, Q963, Q964, Q965, Q966, Q967, Q968, Q969, Q970, Q971, Q972, Q973, Q974, Q975, Q976, Q977, Q978, Q979, Q980, Q981, Q982, Q983, Q984, Q985, Q986, Q987, Q988, Q989, Q990, Q991, Q992, Q993, Q994, Q995, Q996, Q997, Q998, Q999, Q1000

### PHONE



QX05 ~ QX08 HD20011050  
IS1555

QX09, QX10 HT107501E0  
2SA750(E)

QX11, QX12 HT314001E0  
2SC1400(E)

QX13, QX14 HH00009030  
SDT-1000