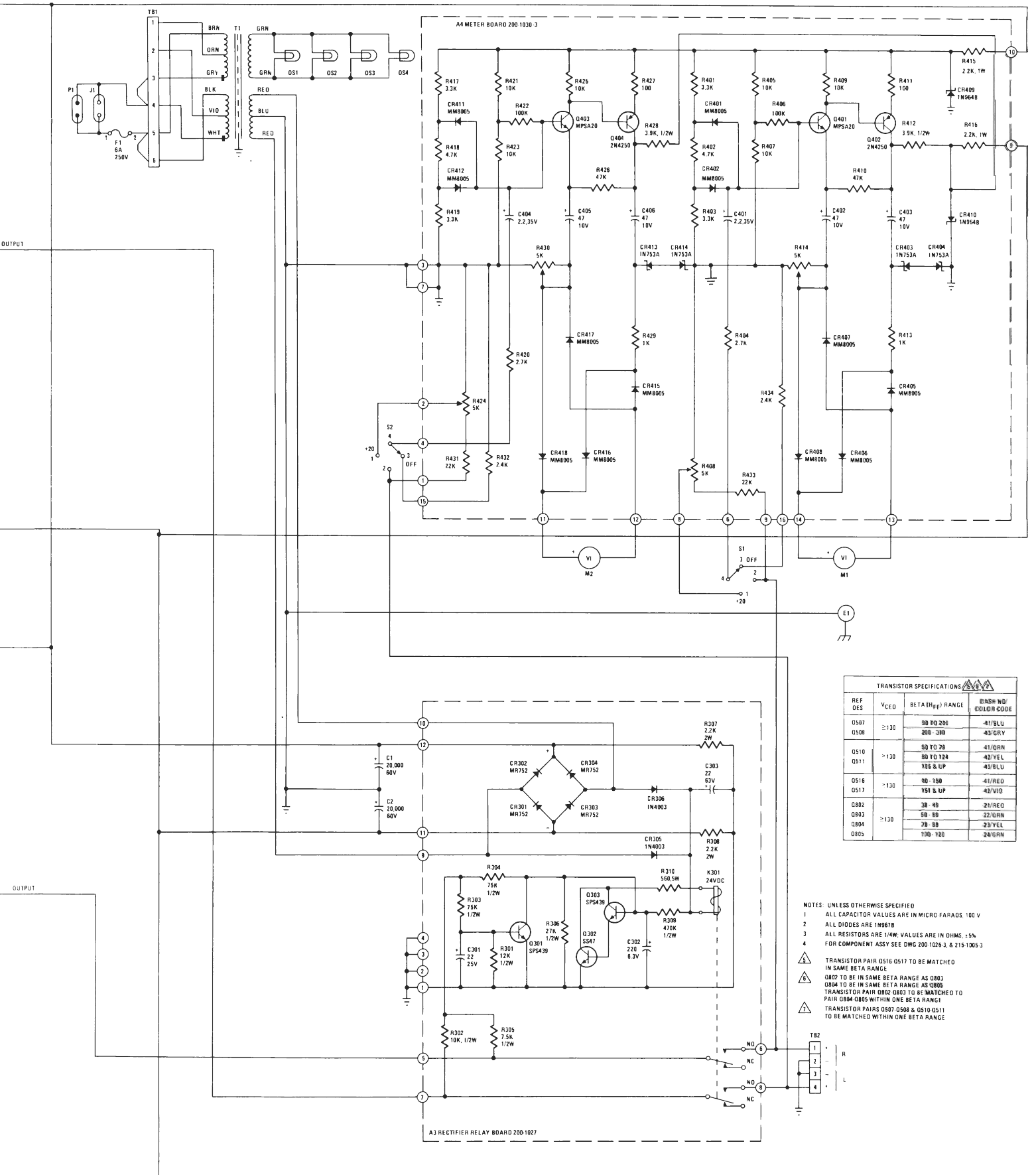


FIGURE 10 – MODEL 250 SCHEMATIC



| TRANSISTOR SPECIFICATIONS |                  |                               |             |
|---------------------------|------------------|-------------------------------|-------------|
| REF DES                   | V <sub>CEO</sub> | BETA (I <sub>FE</sub> ) RANGE | DESIGN CODE |
| 0507                      | ≥130             | 80 TO 200                     | 41/SLU      |
| 0508                      |                  | 200-300                       | 43/GRY      |
| 0510                      | >130             | 50 TO 70                      | 41/GRN      |
| 0511                      |                  | 30 TO 120                     | 42/YEL      |
| 0516                      | -130             | 125 & UP                      | 43/BLU      |
| 0517                      |                  | 80-150                        | 41/RED      |
| 0802                      | >130             | 151 & UP                      | 42/WO       |
| 0803                      |                  | 30-40                         | 21/RED      |
| 0804                      |                  | 50-80                         | 22/GRN      |
| 0805                      |                  | 70-90                         | 23/YEL      |
|                           |                  | 100-120                       | 24/GRN      |

- NOTES: UNLESS OTHERWISE SPECIFIED
- ALL CAPACITOR VALUES ARE IN MICRO FARADS .100 V
  - ALL DIODES ARE 1N967B
  - ALL RESISTORS ARE 1/4W. VALUES ARE IN OHMS .5% FOR COMPONENT 1 ASSY SEE DWG 200-1026-3, & 215-1065-3
  - TRANSISTOR PAIR 0510-0511 TO BE MATCHED IN SAME BETA RANGE
  - 0802 TO BE IN SAME BETA RANGE AS 0803
  - 0804 TO BE IN SAME BETA RANGE AS 0805
  - TRANSISTOR PAIR 0802-0803 TO BE MATCHED TO PAIR 0804-0805 WITHIN ONE BETA RANGE
  - TRANSISTOR PAIRS 0507-0508 & 0510-0511 TO BE MATCHED WITHIN ONE BETA RANGE