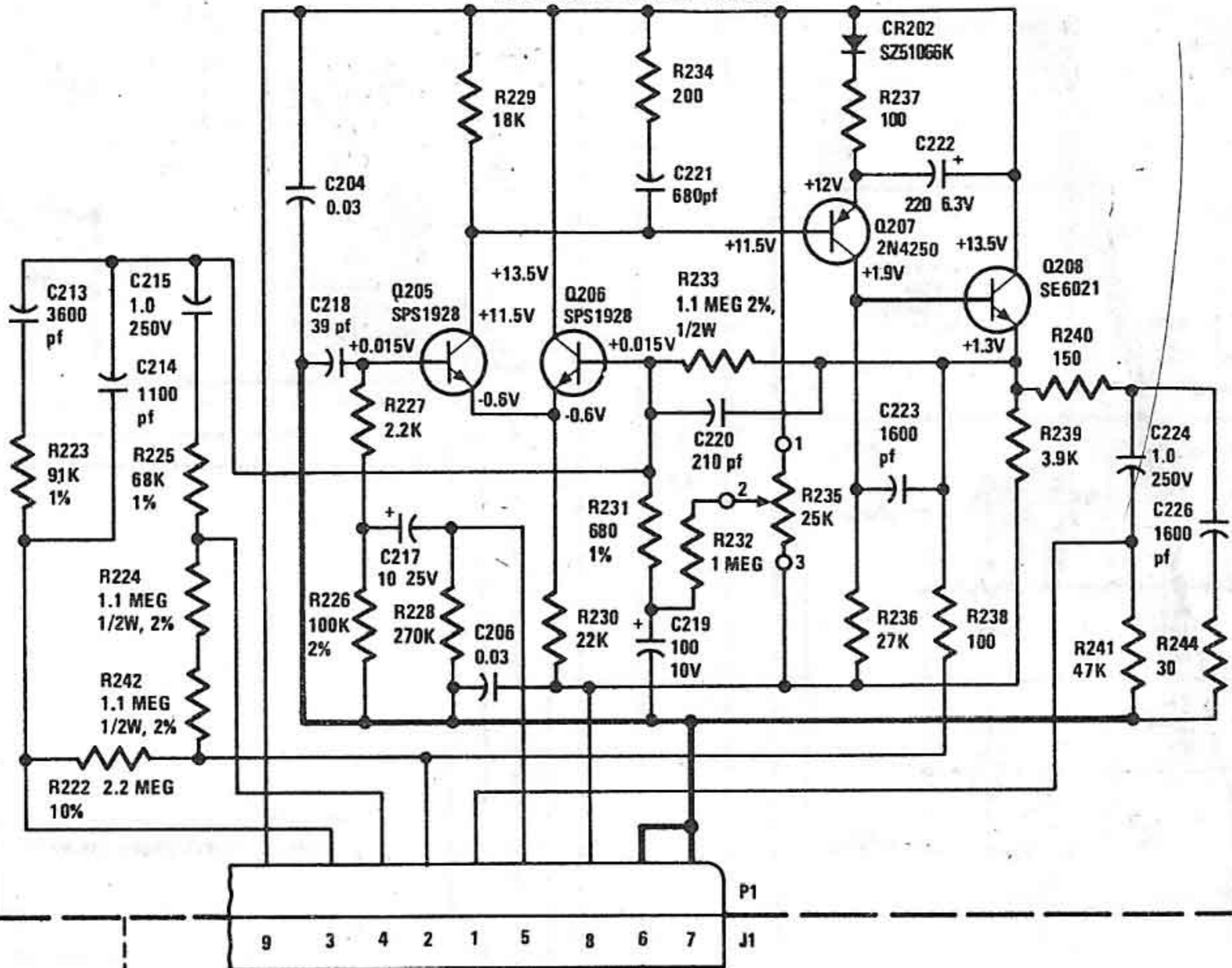
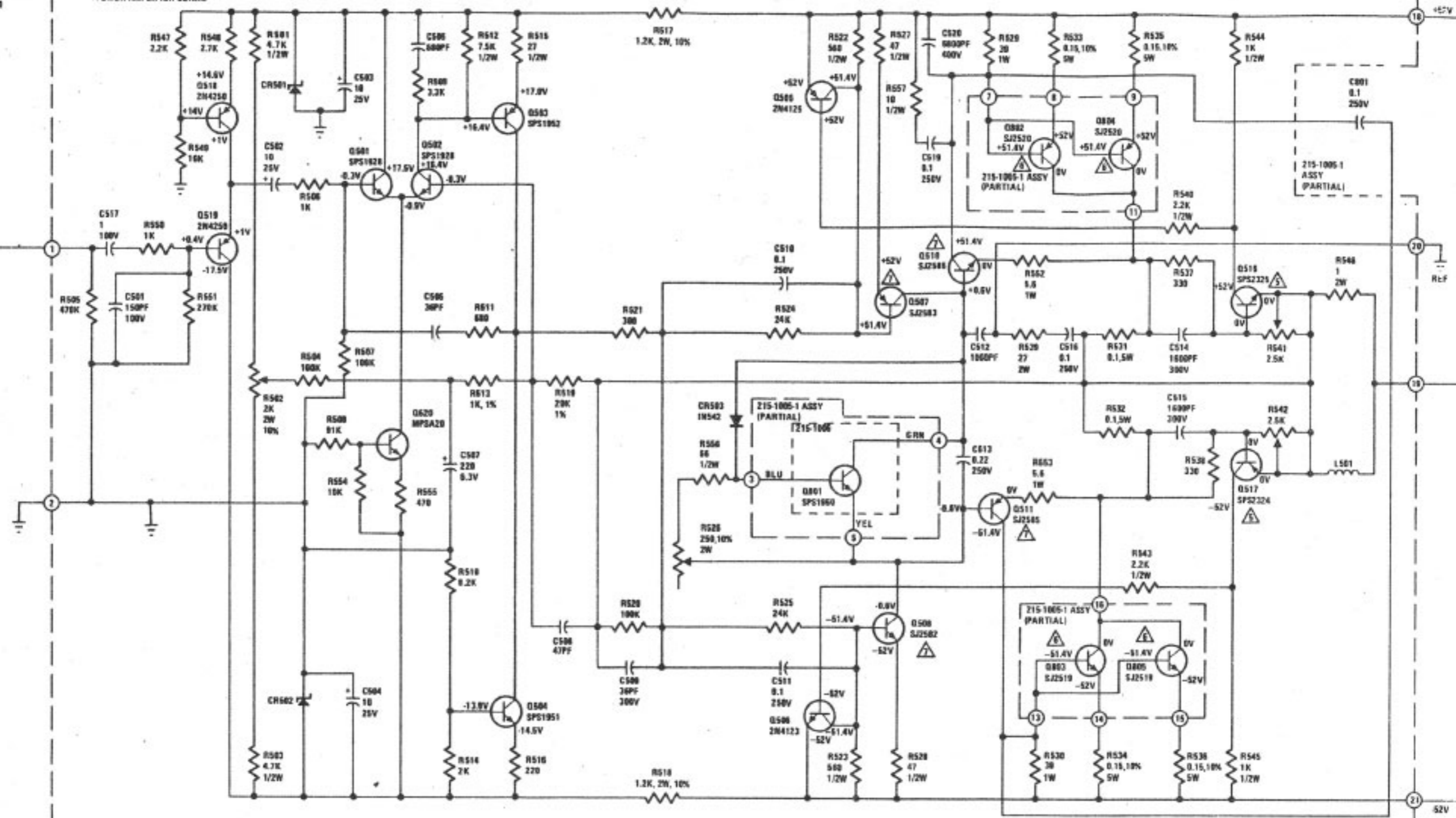


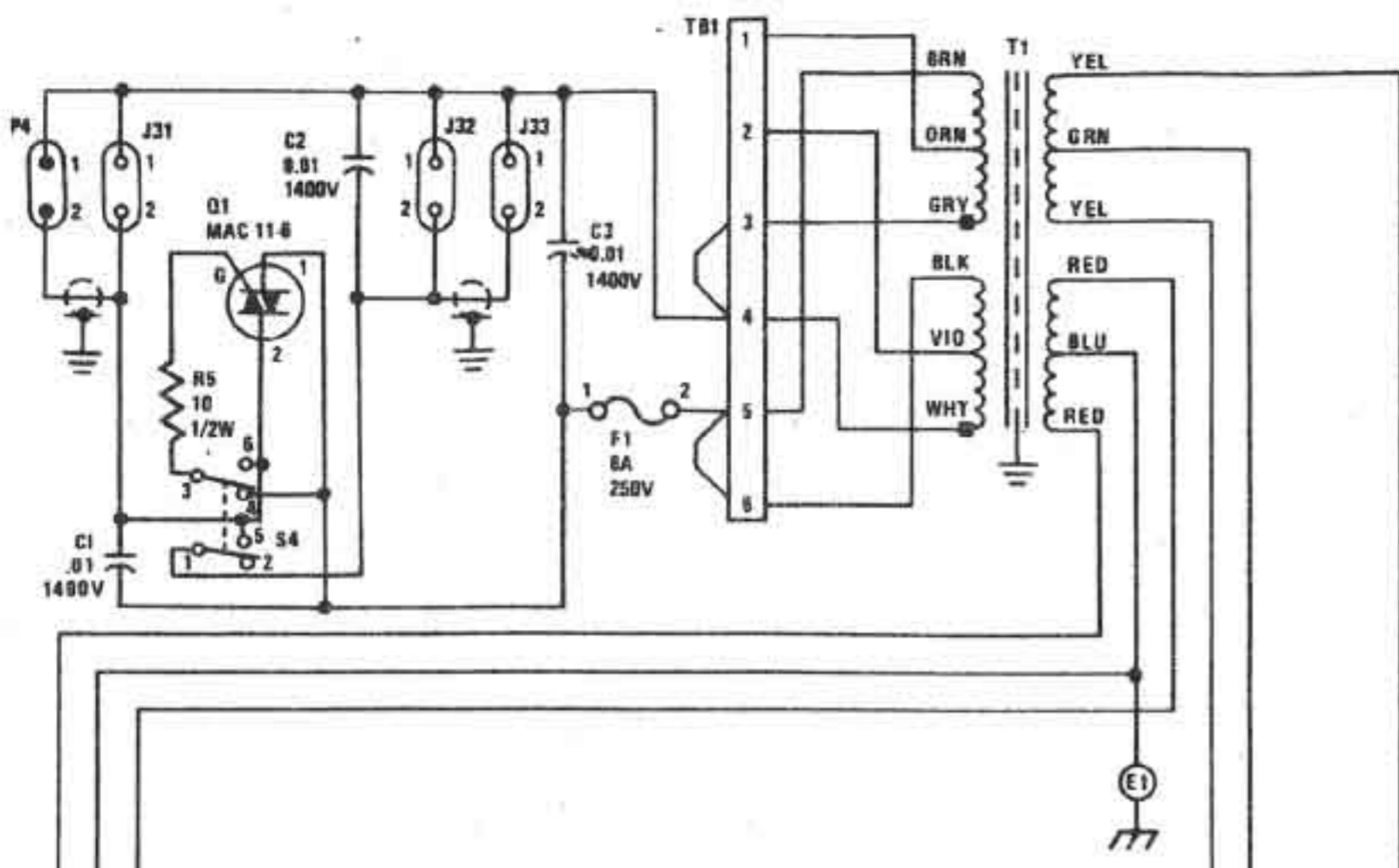
1/2 A2 PHONO AMPL. BD 200-1033-1



AS
HEATSINK ASSY
215-1005-1

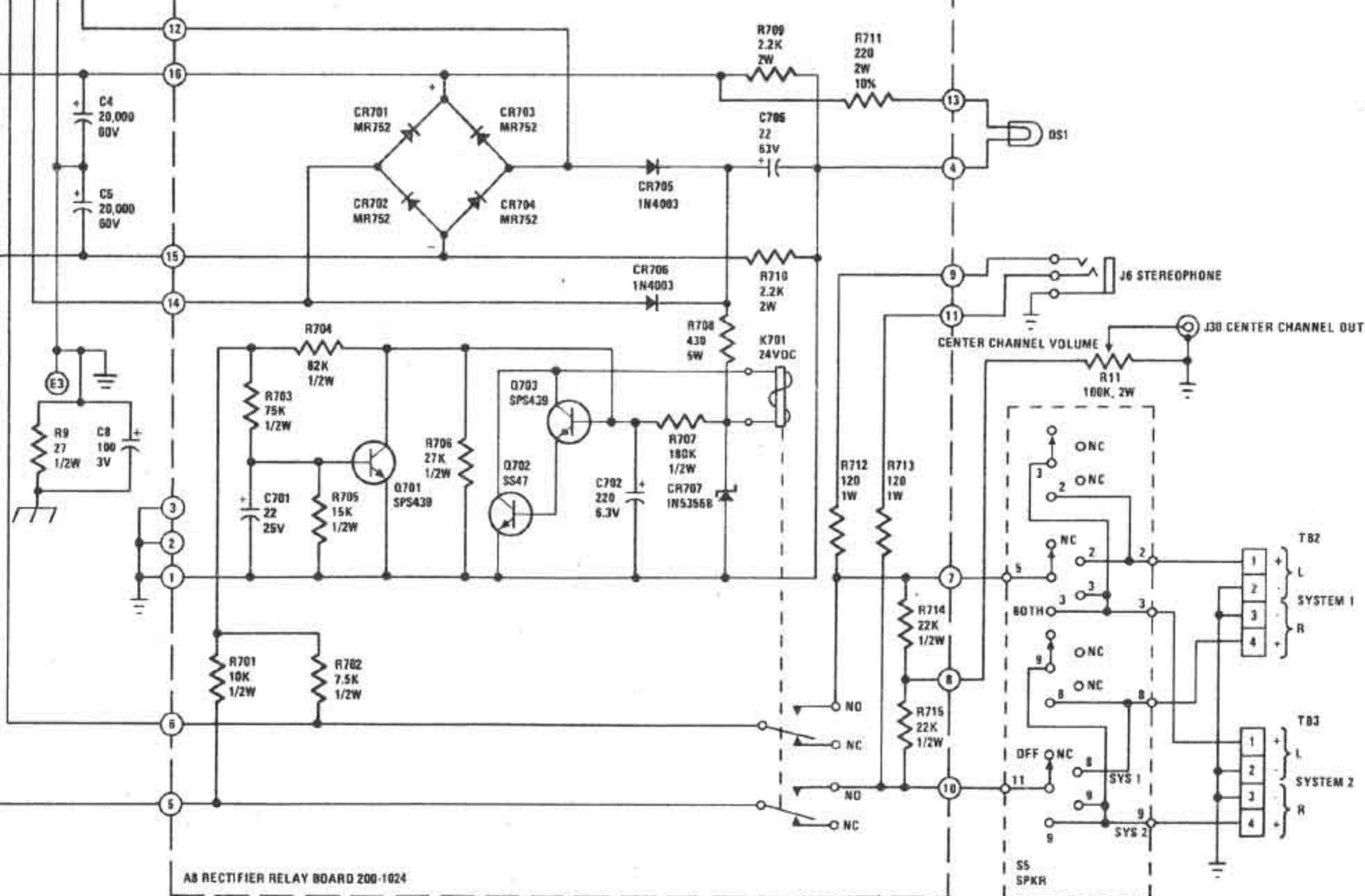
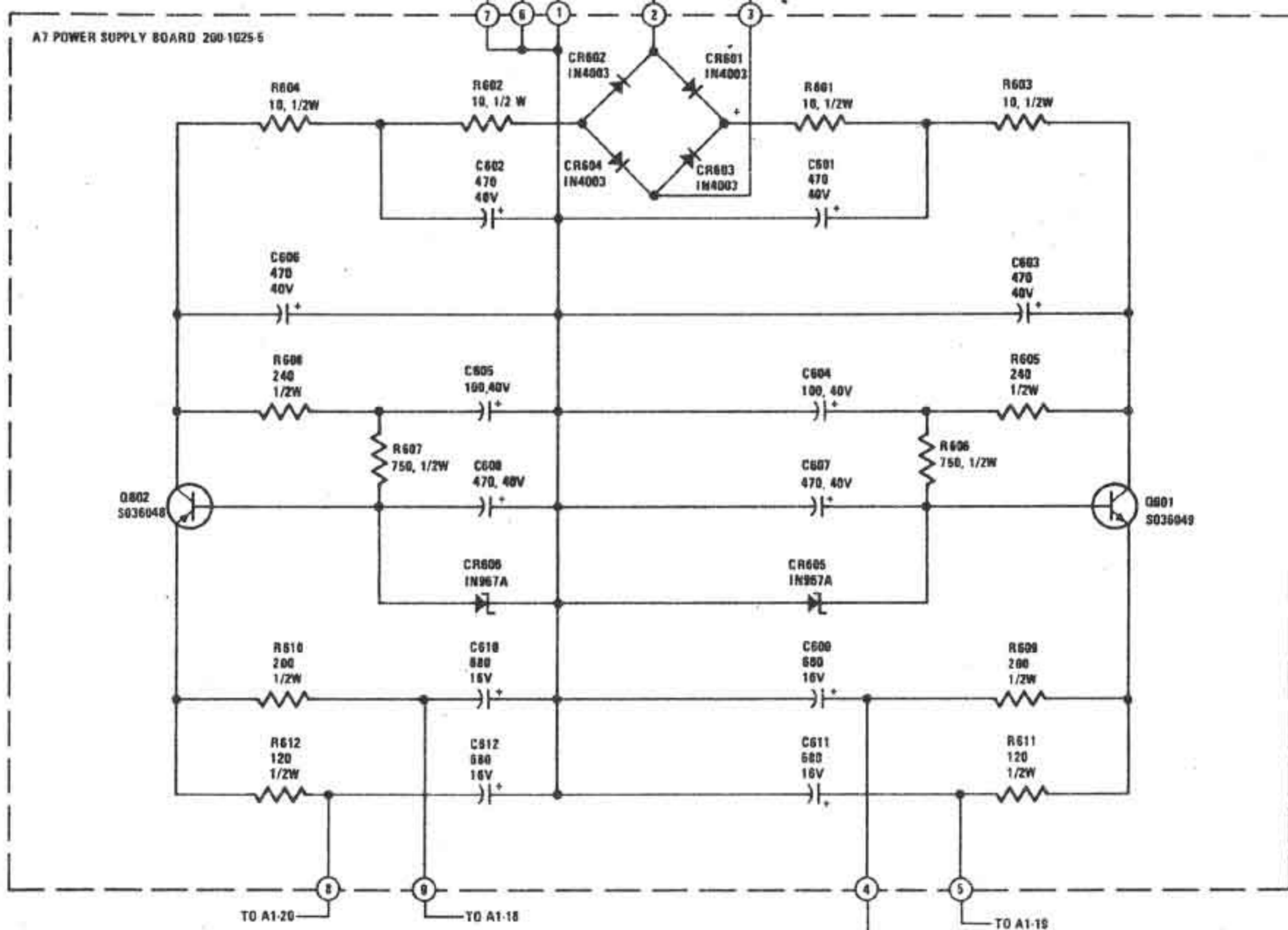
ASSY 200-1026-1
POWER AMPLIFIER BOARD



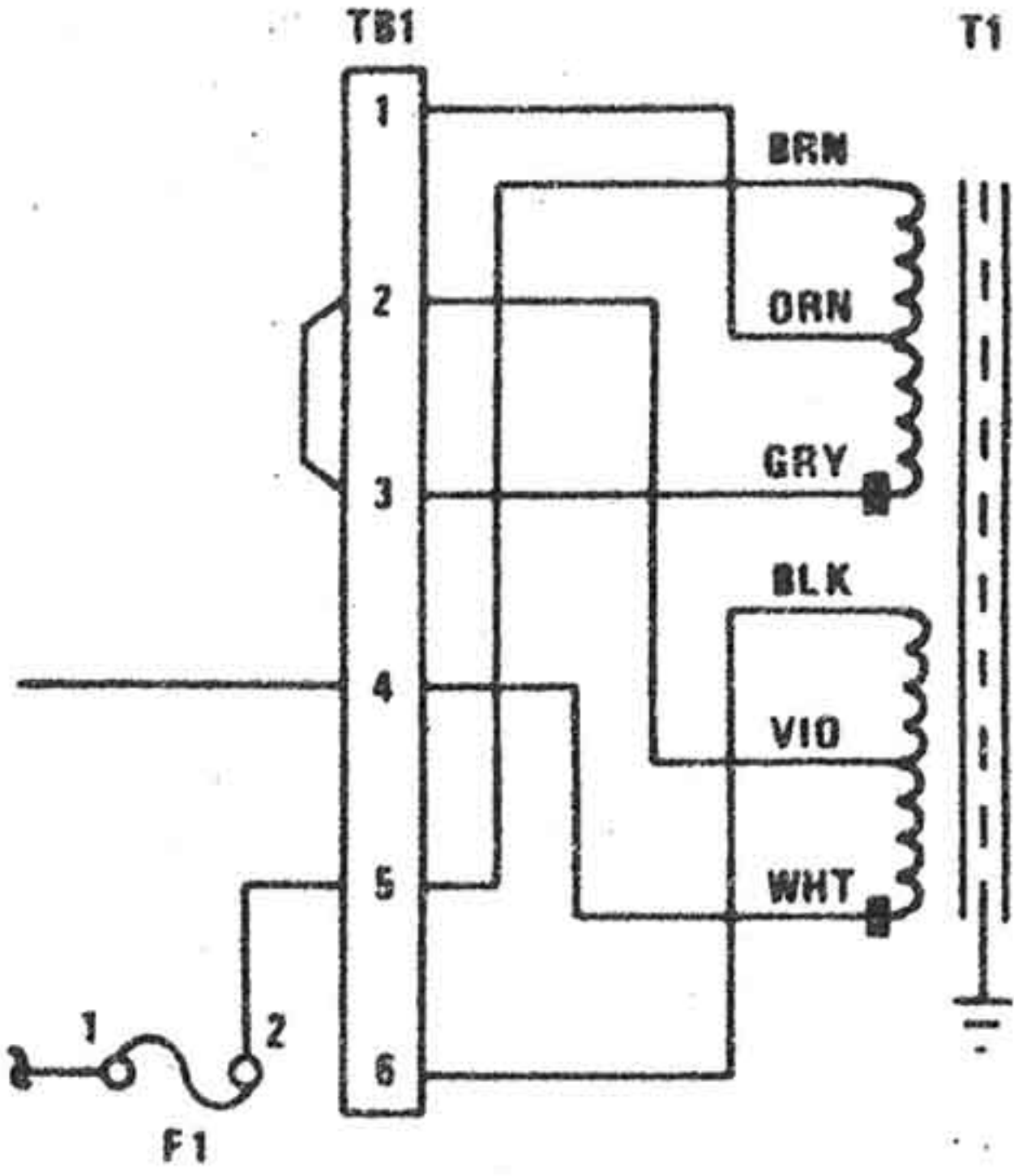


TRANSISTOR SPECIFICATIONS			
REF. DES.	V _{CEO}	BETA (H _{FE}) RANGE	DASH NO./COLOR CODE
Q507	IV 120	90 TO 200	-41/BLU
Q508	IV 120	200-300	-43/GRY
Q510	IV 120	50 TO 79	-41/ORN
Q511	IV 120	80 TO 124	-42/YEL
		125 & UP	-43/BLU
Q516	IV 120	40-150	-31/RED
Q517	IV 120	151 & UP	-32/VIO
Q802	IV 120	30-49	-11/RED
Q803	IV 120	50-69	-12/ORN
Q804	IV 120	70-99	-13/YEL
Q805	IV 120	100-120	-14/GRN

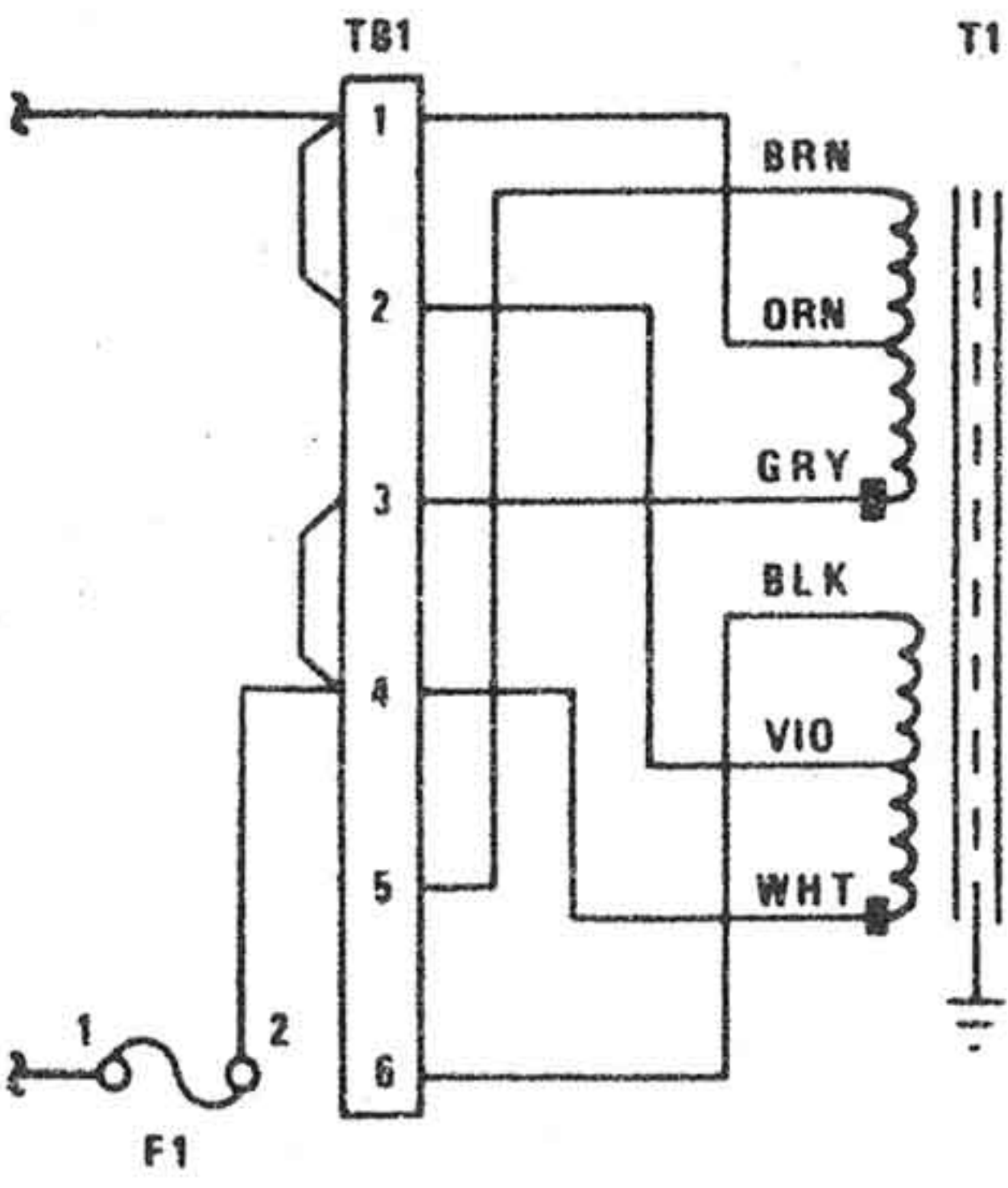
NOTES: UNLESS OTHERWISE SPECIFIED
 1 ALL CAPACITOR VALUES ARE IN MICRO-FARADS ; 100V
 2 ALL DIODES ARE 1N9678
 3 ALL RESISTORS ARE 1/4W; VALUES ARE IN OHMS, ±5%
 4 FOR COMPONENT ASSY SEE DWG 200-1020-1 & DWG 215-1005-1.
 TRANSISTOR PAIR Q516-Q517 TO BE MATCHED IN SAME BETA RANGE.
 Q802 TO BE IN SAME BETA RANGE AS Q803
 Q804 TO BE IN SAME BETA RANGE AS Q805
 TRANSISTOR PAIR Q802-Q803 TO BE MATCHED TO PAIR Q804-Q805 WITHIN ONE BETA RANGE
 TRANSISTOR PAIRS Q507-Q508 & Q510-Q511 TO BE MATCHED WITHIN ONE BETA RANGE



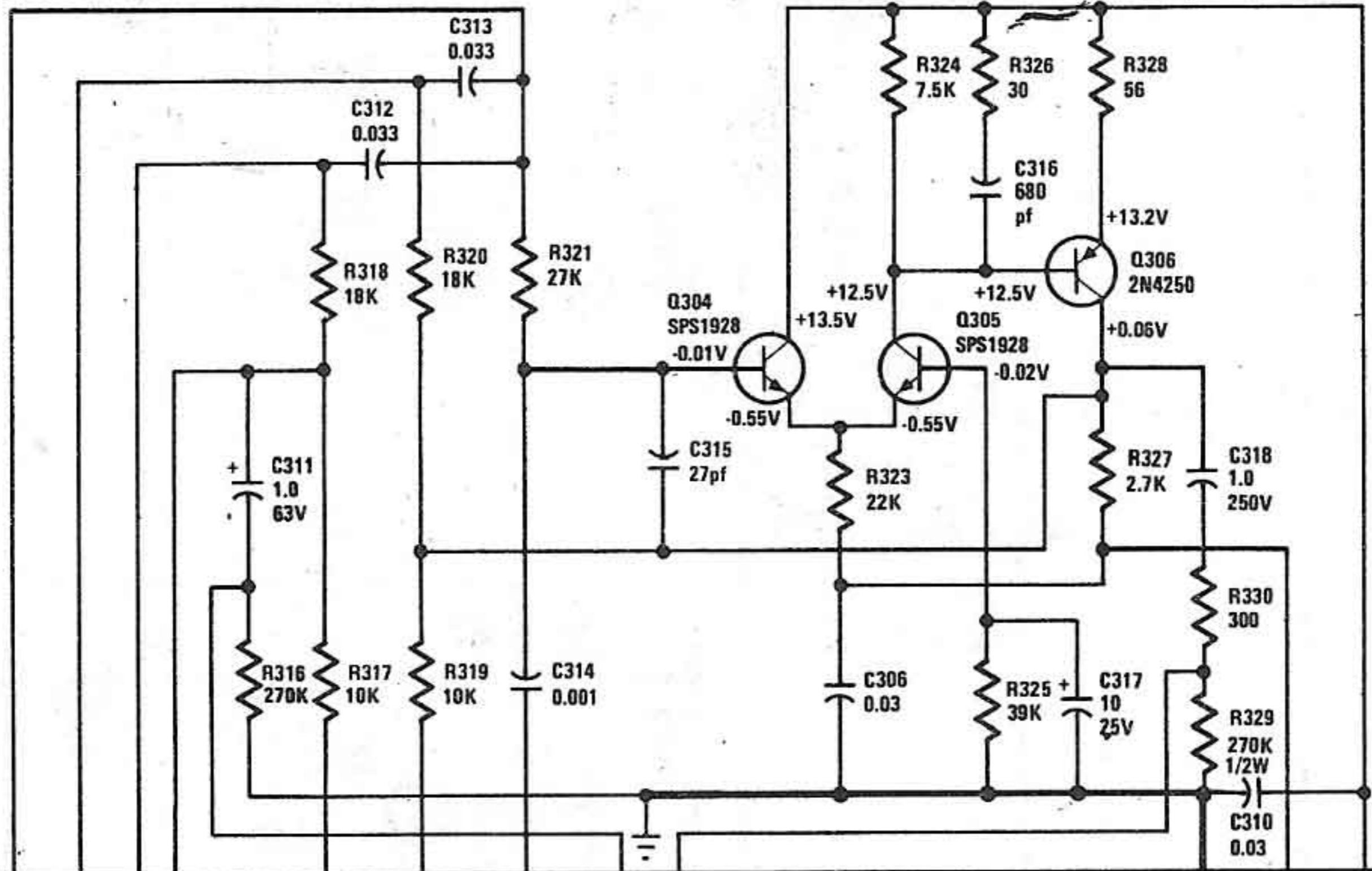
A8 RECTIFIER RELAY BOARD 200-1024



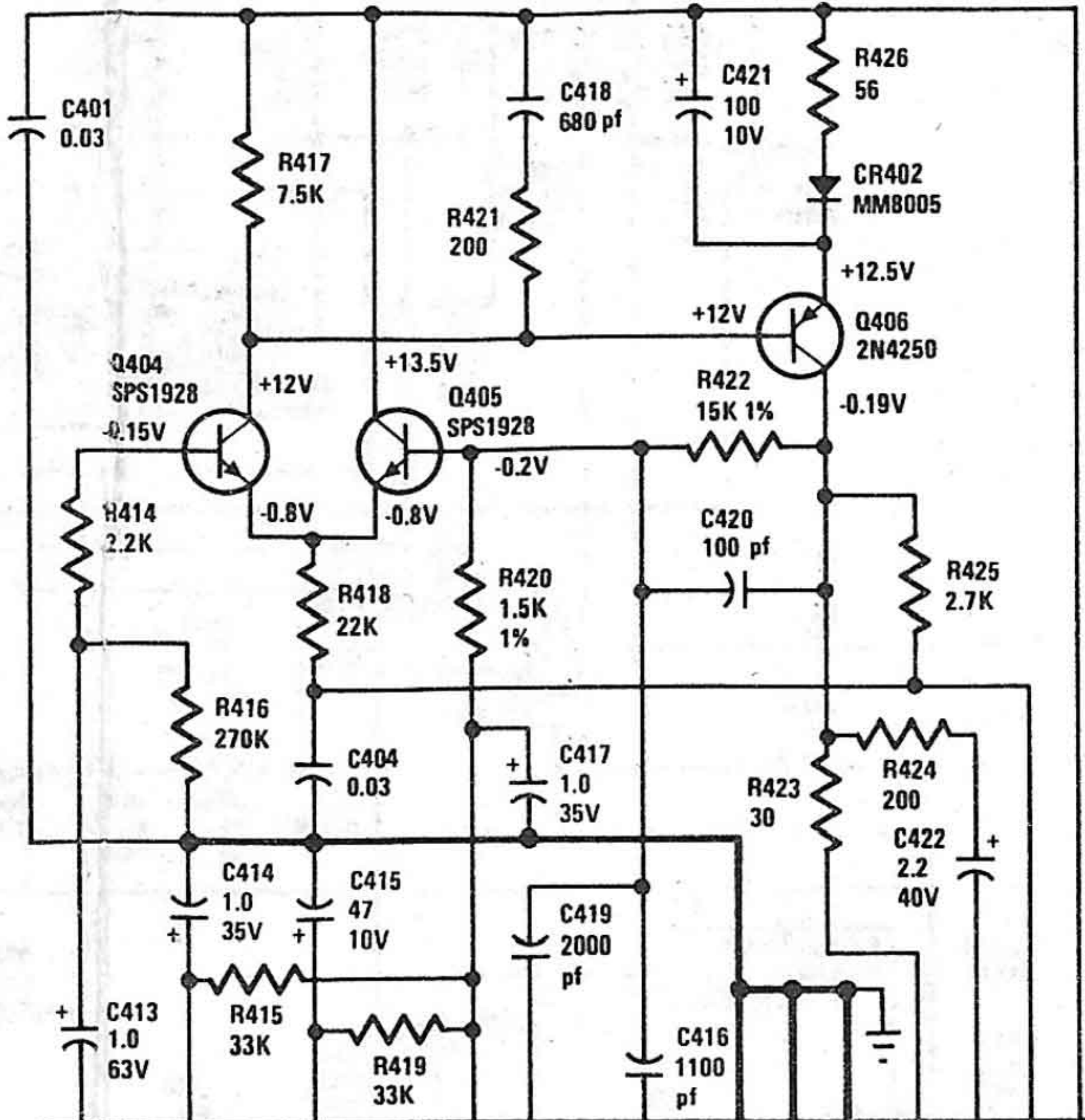
220 V CONVERSION WIRING



100 V CONVERSION WIRING

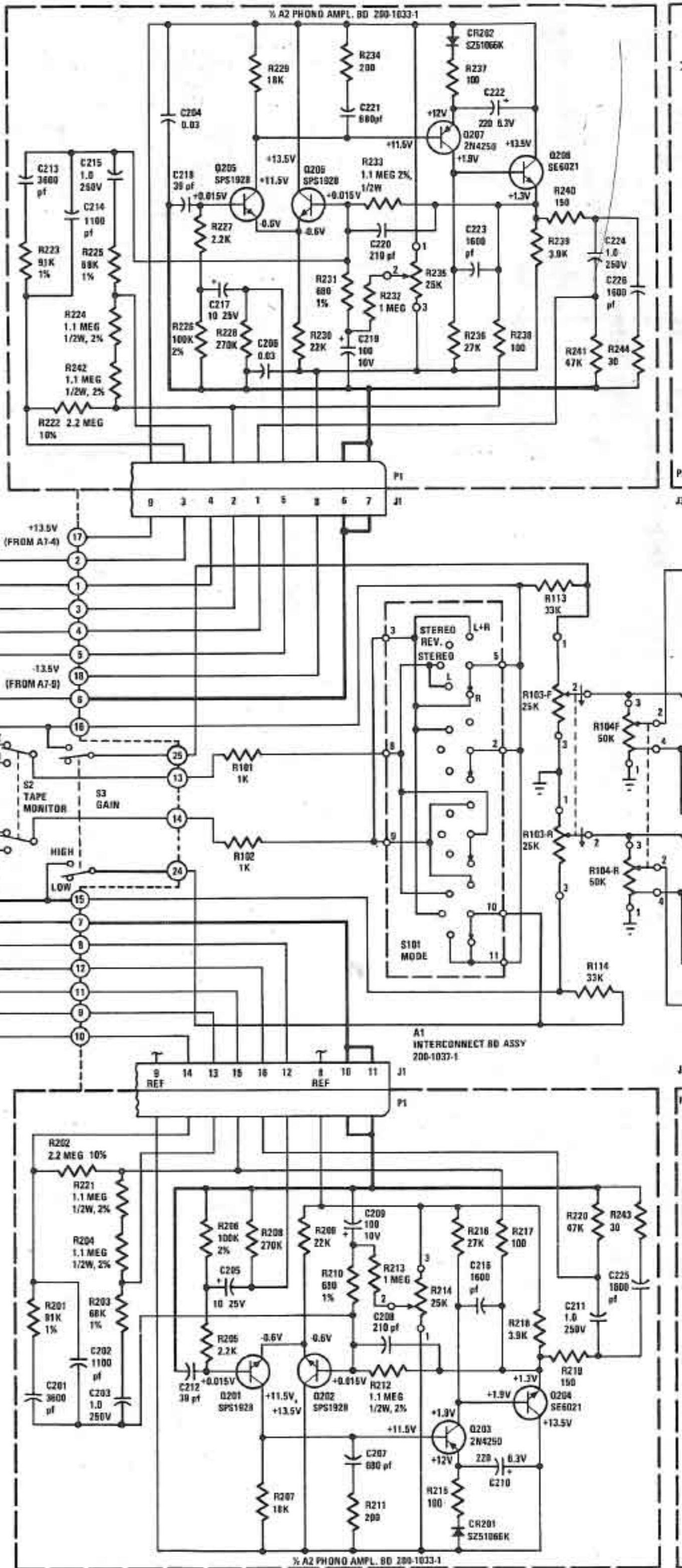
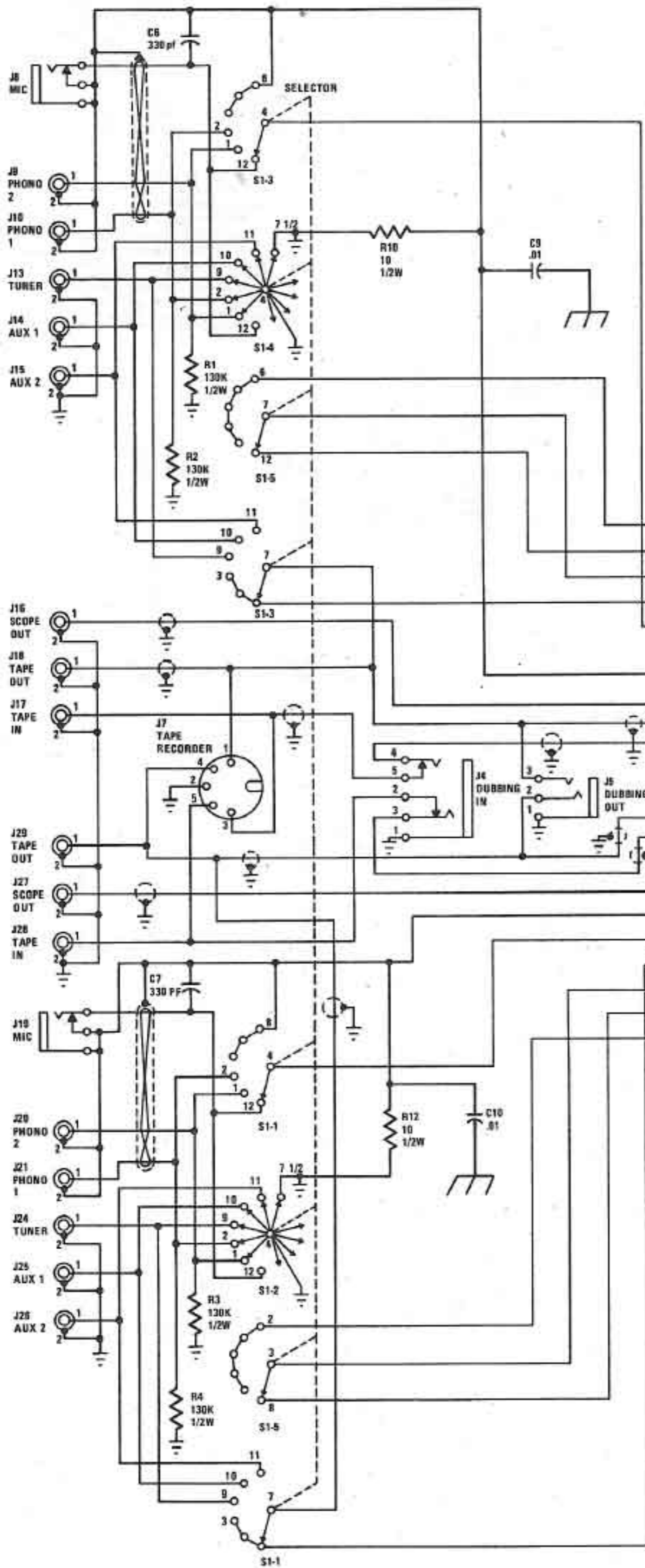


½ A3 X 10 AMPL. BD. 200-1022-1



P3

J3 10 5 4 6 2 1 13 15 16 3 8 24 23



1/2 A3 X 10 AMPL. BD. 200-1022-1

1/2 A4 TONE BD. 200-1023-1

