

LTX SERIES 6 POSITION MEGA & MIDI POWER DISTRIBUTION BOX

240A • 4 MEGA® • 2 MIDI®



Specifications Overview

Voltage:	6 - 32V DC
Max Total Current:	240A
Vibration:	Per ISO 16750-3 4.1.2.7 Test VII
Fuse Torque:	MEGA® M8 Bolt 12-18 Nm MIDI® M5 Bolt 4-5 Nm
Mounting Torque:	M8 Bolt 10-12 Nm
Operating Temp:	-40 to +120 °C
Flammability Rating:	UL94-V0
Ingress Protection:	IP66
Input Wire Sizes:	50 mm ²
Output Wire Sizes:	MEGA: 16-35 mm ² MIDI: 10-16 mm ²
Dimensions:	231x144x60 mm

Description

The LTX Power Distribution Module is a high current sealed primary fuse box that can be placed in the battery box, or near the battery box to fuse major feeder cables. The unit features bussed input to all 6 MEGA® and 2 MIDI® fuses.

Features and Benefits

- Put all the high current fusing in one sealed location
- Common input reduces the number of large gage cables that need to attach to battery
- All bolt down connections are made inside of the seals which enhances the environmental protection of the box
- Gore-Tex breather prevents temperature changes from pulling in moisture
- Broad range of values for MEGA® and MIDI® fuses allow for use in a variety of applications

Applications

- Construction Vehicles
- Agricultural Vehicles
- High amperage loads

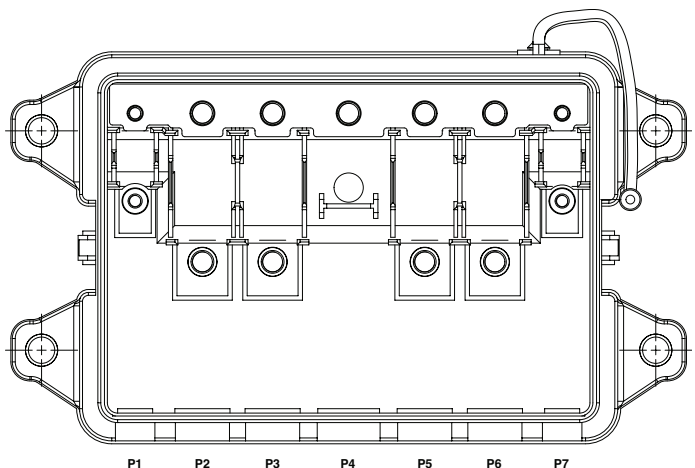
Web Resources

Ordering Information

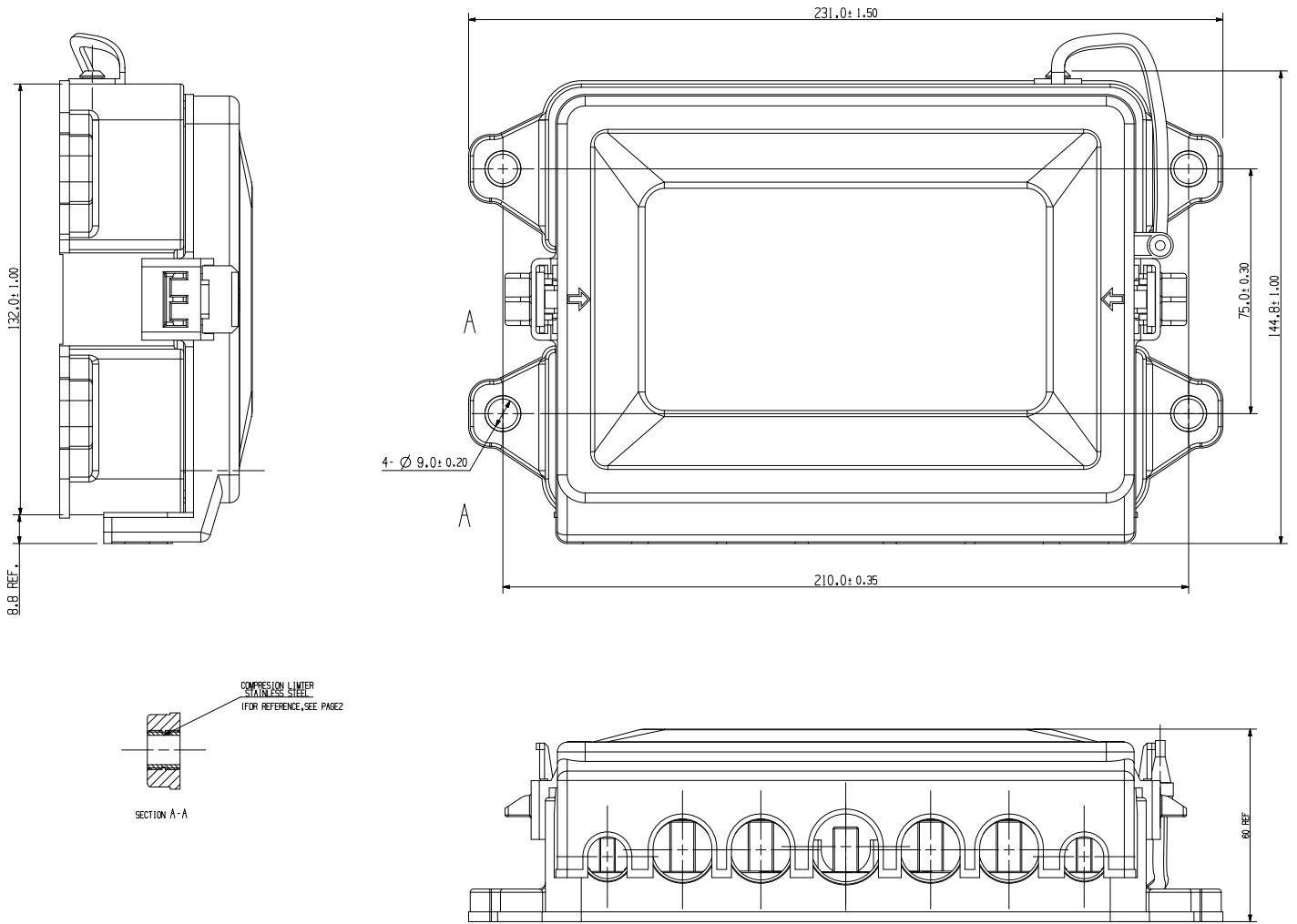
PART NUMBER	POLES	DESCRIPTION
07981002ZXS	6	Complete Unit including Cover Gasket, Bus Bar & Tether

Cable Seals and Fuse Positions (sold separately)

FUSE TYPE	POSITION	CABLE SIZE	PART NUMBER
MIDI®	P1, P7	No Cable	868-951
		10 mm ²	868-952
		16 mm ²	868-953
MEGA®	P2, P3, P5, P6	No Cable	868-954
		16 mm ²	868-955
		25 mm ²	868-956
		35 mm ²	868-957
Input Cable	P4	50 mm ²	868-958



Dimensions in millimeters



Visit Littelfuse.com for the most up-to-date product information. Littelfuse reserves the right to make product changes, without notice. Material in this document is as accurate as known at the time of publication.

Mouser Electronics

Authorized Distributor

Click to View Pricing, Inventory, Delivery & Lifecycle Information:

[Littelfuse:](#)

[07981002ZXS](#)