

# ATO FHAC SERIES FUSE HOLDERS



## Features and Benefits

- Includes two 3.5" GXL Wire Leads for easy in-line installation
- Attached cover secures and protects installed fuse from splashes and debris
- Black TPV body for heat and flame resistance

## Specifications Overview

<b>Max Voltage:</b>	32V DC
<b>Operating Temp:</b>	-40° C to + 105° C
<b>Ingress Protection:</b>	IP67
<b>Housing:</b>	Thermoplastic (UL 94 V-0 flame, heat resistant)

## Recommended Fuses



**ATO Fuse**  
32V DC Fast Acting  
Automotive Blade Fuse

## Description

FHAC Series In-line ATO Fuse Holders are designed for versatile application of fusing in harsh environments. Use with ATO® Fuse 1 to 20 amps (standard duty) or 25-30A (Heavy Duty). Supplied with two 3.5" GXL wire leads for easy in-line installation.

## Applications

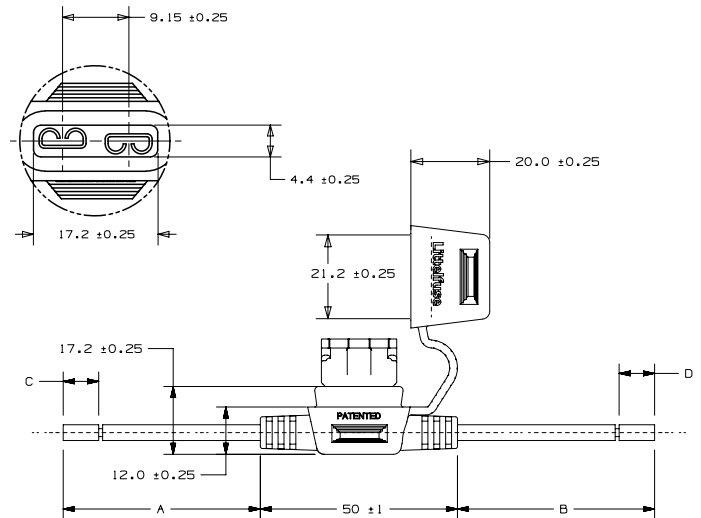
- Accessory lighting
- Panel displays / electronics
- Air conditioner and blower motors (Heavy Duty)

## Web Resources

Download 2D print and technical resources at:  
[littelfuse.com/FHAC](http://littelfuse.com/FHAC)

## Ordering Information

## Dimension in MM



\* Dimensions shows for M-606, Dimensions may vary per part number

PART NUMBER	DESCRIPTION	MAX FUSE RATING	WIRE SIZE	COLOR
FHAC0001ZXJG	In-line ATO Fuse Holder with Cover	20A	16 AWG	Black
FHAC0003ZXJB	Heavy Duty In-line ATO Fuse Holder with Cover	25A	14 AWG	Red with Blue Strip



Visit [Littelfuse.com](http://Littelfuse.com) for the most up-to-date product information. Littelfuse products are designed for specific applications and should not be used for any purpose (including, without limitation, automotive applications) not expressly set forth in applicable Littelfuse product documentation. Warranties granted by Littelfuse shall be deemed void for products used for any purpose not expressly set forth in applicable Littelfuse product documentation. Littelfuse shall not be liable for any claims or damages arising out of products used in applications not expressly intended by Littelfuse as set forth in applicable Littelfuse product documentation.