

LCI 7" OneControl™ Touch Panel

Description

The OneControl™ Touch Panel is a capacitive touch screen user interface compatible with CAN networked systems. The unit is wall mountable and presents a 7 inch touch screen to the end user.

Product is compatible with the Controller Area Network (CAN) bus. Product supports both CAN 2.0A and CAN 2.0B buses. Applications may access the CAN bus via the SocketCAN kernel driver for Linux.



Running the Android™ 4.4 KitKat operating system, the OneControl™ Touch Panel is compatible with a wide variety of Android applications found in app stores and on the internet. Custom android applications may be created to take advantage of the native CAN bus support.



Plug-and-play compatibility with LCI myRV® CAN systems means that you can remotely control the system from a wide variety of LCI products.



Applies to

Part #	Description
21092	LCI 7" OneControl™ Touch Panel

Electrical Characteristics

Rating	Symbol	Min	Typ	Max	Unit	Conditions
Operating Supply Voltage	V_{batt}	9	13.8	16	VDC	
Operating Temperature Range	T_R	0		+70	°C	
Quiescent Current	I_q		216		mA	

Dimensions

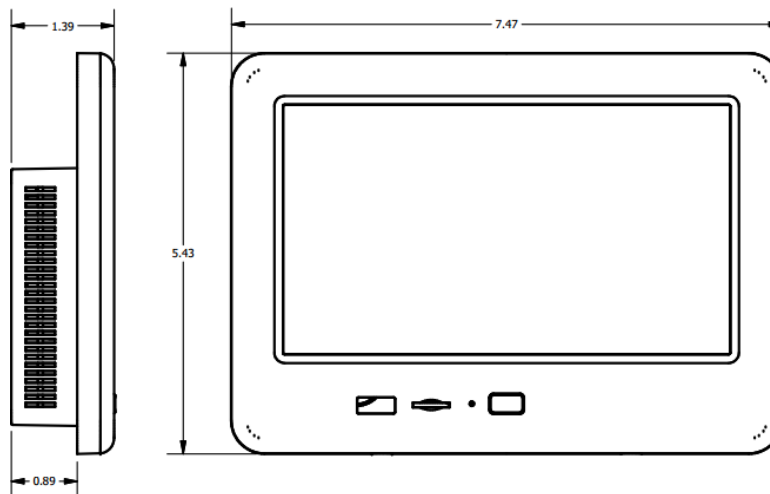


Figure A: Outside dimensions

LCI 7" OneControl™ Touch Panel

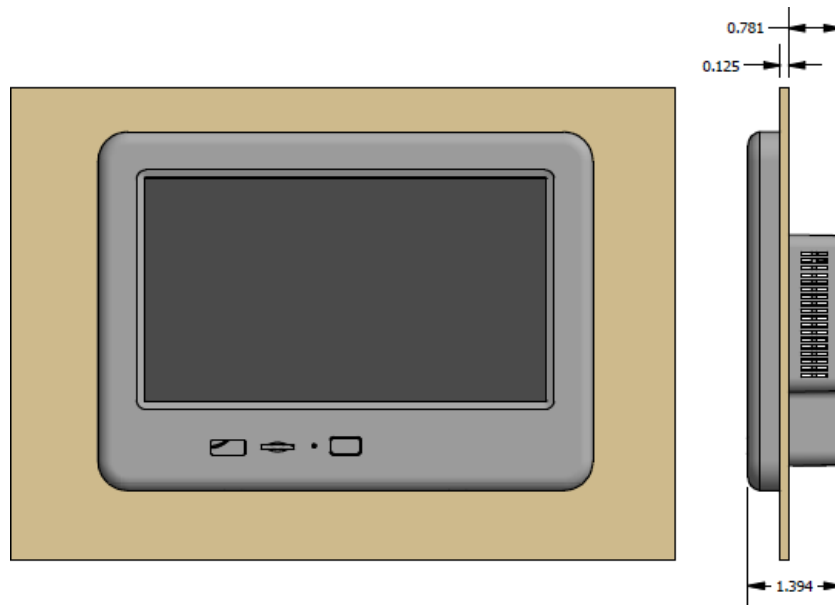
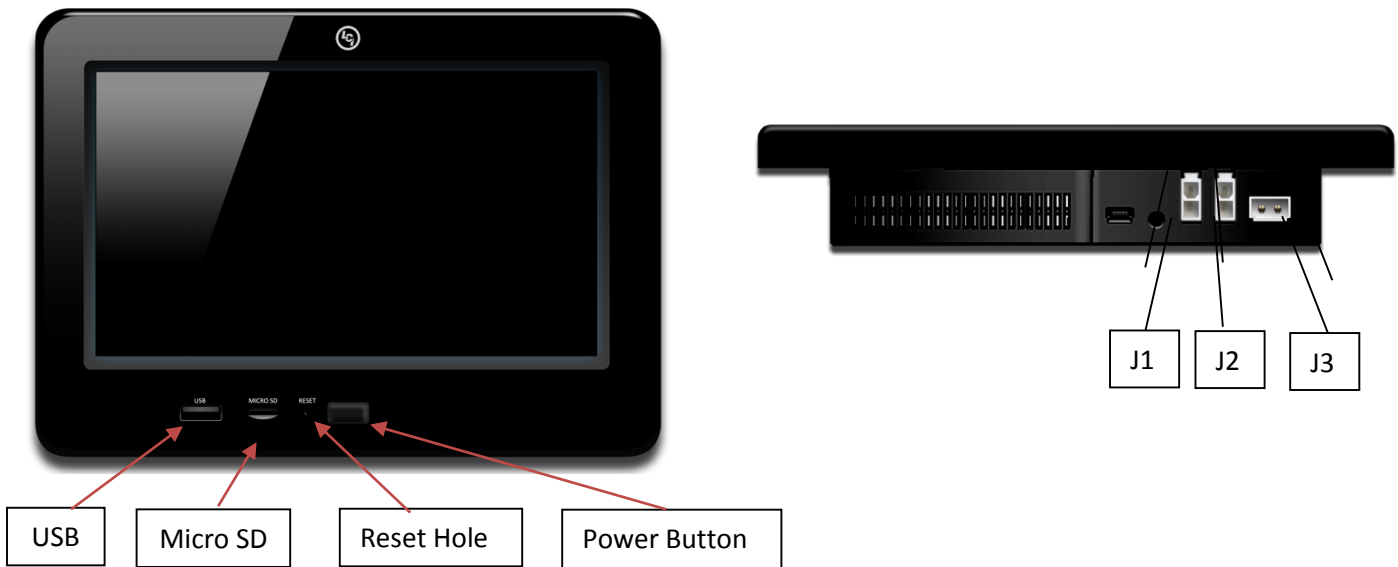


Figure B: Wall mount dimensions

Connections



Ref	Description	Connector	Pin	Signal
J1	CAN bus	Molex 39-29-9023	1	CANH
			2	CANL
J2	CAN bus	Molex 39-29-9023	1	CANH
			2	CANL
J3	Power	Tyco Electronics 794120-1	1	VBATT
			2	GND

LCI 7" OneControl™ Touch Panel

Mounting Bracket

A mounting bracket is provided to allow easy installation for wall mounted applications.

- 1) Locate bracket on wall
- 2) Cut out hole for touchpad
- 3) Mount bracket to wall using screws
- 4) Affix touch panel to bracket and screw in place

