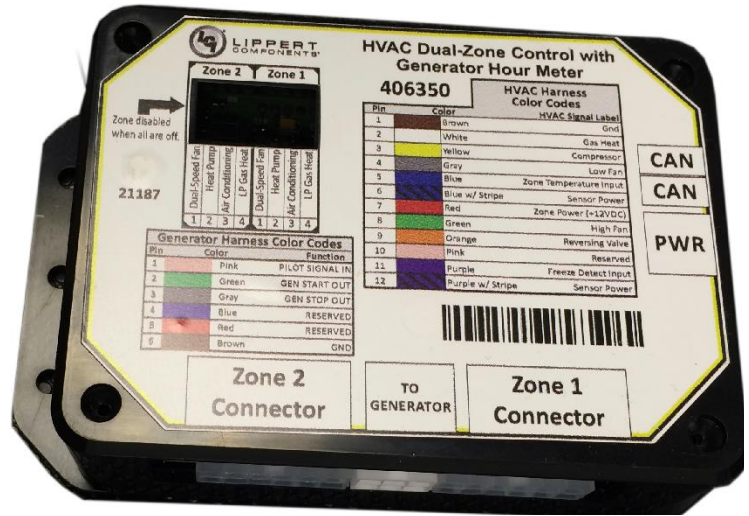


LCI Generator Genie Control Module

Description

Electronic control module that controls the operation of an on-board LPG, Gasoline, or Diesel generator. In conjunction with the OneControl™ mobile application (App), myRV® tablet, or OneControl™ Touch Panel (OCTP), the Generator Genie module provides all of the same functions as a standard wall-mounted generator start/stop and hour meter control panel. The user interface is provided through the mobile App or OCTP application, while the physical/electrical functions are provided by the Generator Genie. The module interconnects are identical a standard wall-mount control panel with mechanical hour meter, making this product an ideal drop-in replacement for customers who wish to upgrade their system to a modern App driven touchscreen interface.

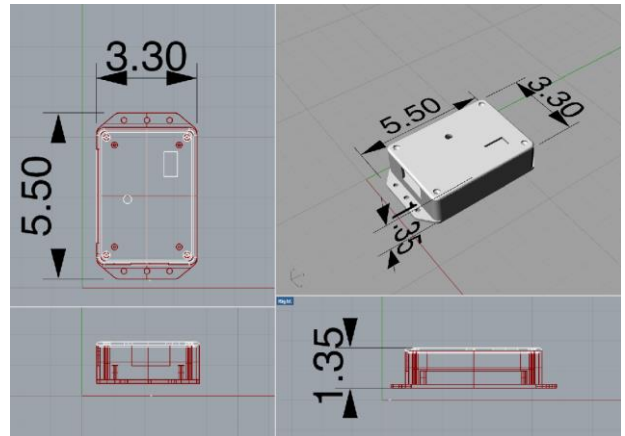


Plug-and-play compatibility with LCI myRV® CAN systems means that you can remotely control the system from a wide variety of LCI products. The generator name can be customized at the factory to show the feature

being accessed.



Installation in Wi-Fi capable myRV® systems grants customers wirelessly control the product using their Android or iPhone mobile device. Simply go to the app store and downloading the LCI OneControl™ mobile app.



Applies to

Part Number		Description
IDS	LCI	
21084	406348	LCI Generator Genie Control Module

Absolute Maximum Ratings

Rating	Value	Unit	Conditions
Input Voltage	18	VDC	Indefinite
Output Current (Generator Start/Stop Outputs)	1.2	A	Indefinite

Electrical Characteristics

Rating	Symbol	Min	Typ	Max	Unit	Conditions
Operating Supply Voltage	V _{BATT}	9	13.8	16	VDC	
Output Sink Current – Generator	I _{GEN}		2.0		A	Active Low (sinking) outputs



LCI Generator Genie Control Module

Mechanical Characteristics

Dimensions	Max	Unit	Conditions
Overall Height	1.35	Inches	$\pm 0.010''$
Overall Width	3.30	Inches	$\pm 0.010''$
Overall Length	5.50	Inches	$\pm 0.010''$
Mounting Hole Diameter (clearance for #8 screw)	0.190	Inches	+0.015" -0.005"

This module also provides generator start/stop control for Cummins Onan generators but should work with any generator that uses an equivalent control input. The Start and Stop outputs from the Generator Genie are Low-side current sinks. This means that the generator pulls these lines up to V_{BATT} (12 V), and the controller activates them by switching

Generator Start/Stop and Running Hours Meter

This module also provides generator start/stop control for Cummins Onan generators but should work with any generator that uses an equivalent control input. The Start and Stop outputs from the Generator Genie are Low-side current sinks. This means that the generator pulls these lines up to V_{batt} (12 V), and the controller activates them by switching them to ground (0 V) for a fixed period of time.

Automatic Priming Feature

The Generator Genie implements an automatic priming cycle at the beginning of the startup sequence. You will hear the priming solenoid click a few seconds before the generator engine is started.

User Interface

All user control and input is accomplished using either the OneControl™ mobile application (App), myRV® tablet, or OneControl™ Touch Panel (OCTP).