



# Konica Minolta bizhub 4750/4050

## Specification & Installation Guide



KONICA MINOLTA

01/23/2014

### **bizhub 4750/4050 Specifications**

Type	Monochrome Laser MFP		
Document Holder	Stationary (mirror scanning) Types: Sheets, books (page spreads), 3-dimensional objects Size: Maximum 8.5" x 14"		
Photoconductor	Organic Photoconductor		
Luminous Source	LED		
Copying System	Laser electrostatic copy method		
Developing System	Dry-type dual-component developing method		
Fusing System	Belt fusing system		
Resolution	Scanning: Up to 600 dpi x 600 dpi Printing: 600 x 600 dpi, 1,200 x 1,200 dpi		
Paper	Plain Paper: 60-120 gsm Thick Paper: Up to 163 gsm* Duplexing: 60-90 gsm Laser-quality labels**, envelopes***, letterhead, recycled paper  * Can only be fed through the bypass tray (up to 20 sheets) ** Labels recommended for occasional use only. *** Can only be fed through the bypass tray (up to 10 envelopes)		
Paper Tray Sizes	<b>Bypass Tray:</b> 5.5" x 8.5" to 8.5" x 14" <b>Tray 1:</b> 5.5" x 8.5" to 8.5" x 14" <b>Tray 2, 3 &amp; 4:</b> (Option): 5.5" x 8.5" to 8.5" x 14"		
Paper Tray Capacity	<b>Bypass Tray:</b> 100 sheets <b>Tray 1:</b> 550 sheets <b>Tray 2, 3 &amp; 4:</b> (Option): 250 or 550 sheets each		
Paper Output Capacity	250 sheets (face down)		
Warm-up Time	77 seconds		
Image Loss Width	<b>Position</b>	<b>Copy</b>	<b>Print</b>
	Leading edge	0.160"	0.160"
	Trailing edge	0.160"	0.160"
	Right edge	0.160"	0.160"
	Left edge	0.160"	0.160"
First Copy/Print	8.5 sec. or less from platen 8.5 sec. or less from ADF		
Print Speed	<b>bizhub 4750</b>	<b>bizhub 4050</b>	
	50 ppm single-sided	42 ppm single-sided	
	22 ppm double-sided	20 ppm double-sided	
Multiple Copies	1-999		
Magnification Ratios	Reduce/Enlarge: 25%–400%* *0.1% increments		
Scan Speed	48 opm monochrome single-sided 32 opm color single-sided		

Power Requirements	120V/60Hz @ 9.4A (110V)	
Power Consumption	1.5kW or less (max.)	
TEC	<b>bizhub 4750</b> 2.19 kWh	<b>bizhub 4050</b> 1.86 kWh
Dimensions (WxDxH)	19.3" x 18.9" x 22.1"	
Memory	2 GB RAM (320 GB HDD)	
Weight	Approx. 52 lb.	

### **Duty Cycle**

**bizhub 4750/4050:** Up to 150,000/100,000 monthly Maximum monthly copy/print volume supported under vendor supplied service. Defines the upper end of the expected customer volume for the device. Customers should consider multiple machines if average approaches duty cycle on a continual basis.

### **Basic Configuration**



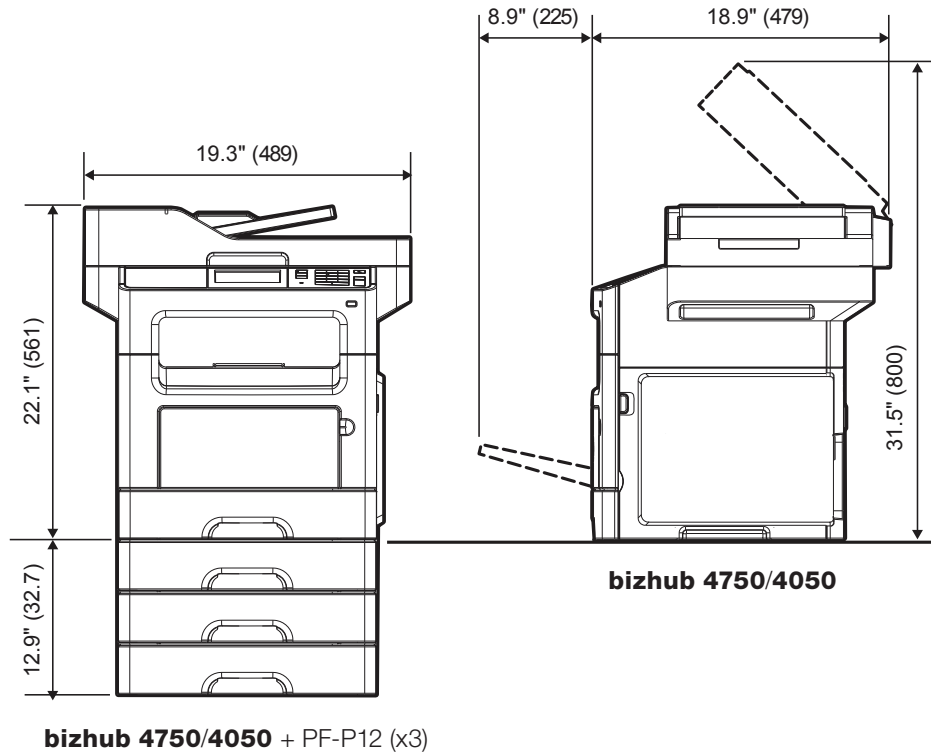
# Konica Minolta bizhub 4750/4050

## Specification & Installation Guide



### Space Requirements


To ensure easy operation, consumable replacement and maintenance, adhere to the recommended space requirements detailed below.



### Environmental Requirements

Temperature	60°F to 90°F (operating)
Humidity	8% to 80% (operating)
Noise While Printing	≤ 54 dB
Noise While Copying	≤ 55 dB
Noise While Engine is Idle	≤ 15 dB

### Electrical Requirements

Line Options	Dedicated	NEMA Diagram for 5-15R 
Voltage	120VAC/60Hz	
Amperage	15 A	
NEMA Part No.	5-15R	
Cord Length	6.0 ft.	

# Konica Minolta bizhub 4750/4050

## Specification & Installation Guide



### Component Considerations

#### FS-P02 Inner Finisher



Type	Staple Finisher
Support Paper Type	Plain Paper (16 lb. to 24 lb.)
Support Paper Size	8.5" x 11" to 8.5" x 14"
Staple Mode	Corner
Max. Number of Stapled Sheets	20 sheets (20 lb.)
Power Requirements	Supplied from Main Unit
Dimensions (WxDxH)	15.3" x 3.9" x 7.7"
Weight	Approx. 11.6 lb. (5.3 kg)
Consumables	Staples SK-501 (1,000 Staples)

#### PF-P11 Paper Feed Unit



Type	250-sheet drawer
Support Paper Weight	60-120 gsm
Support Paper Size	5.5" x 8.5" to 8.5" x 14"
Configuration	Single Tray (Up to 3 can be added)*
Weight	Approx. 9.3 lb.

#### PF-P12 Paper Feed Unit



Type	550-sheet drawer
Support Paper Weight	60-120 gsm
Support Paper Size	5.5" x 8.5" to 8.5" x 14"
Configuration	Single Tray (Up to 3 can be added)*
Weight	Approx. 10.3 lb.

\* PF-P11 and PF-P12 trays can be installed together, but a maximum of 3 trays can be added.

# Konica Minolta bizhub 4750/4050

## Specification & Installation Guide



### Component Considerations

#### DK-P02 Copy Desk



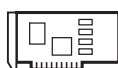
Type	Storage drawer only
Function	Storage of accessories, supplies, paper, etc. Adjustable to bring machine to working height, with a variety of configurations.
Weight	Approx. 40.3 lb

#### CS-1 Convenience Stapler



Type	Standalone electronic stapler
Stapling Capacity	Up to 50 sheets
Paper Weight	Up to 90 gsm
Durability Cycle	Up to 200,000 stapling operations
Staple Position	Side or corner of document
Type of Clinch	Flat clinch
Dimensions (WxHxD)	5.31' x 5.7" x 7.48"
Weight	Approx. 3.74 lb.
Power Supply	AC adaptor (supplied). Separate power output required.
Refill Staples	SK-602 (No. 505: 5,000 staples)

#### FK-512 Fax Kit



Communication	Super G3
Compatible Lines	PSTN, PBX
Modem Speed	2.4 kbps - 33.6 kbps
Compression	MH/MR/MMR/JBIG
Transmit Paper Size	Max. 8.5" x 14" (Max. 8.5" x 39" using ADF)
Receive Paper Size	Max. 8.5" x 14"
Transmission Speed	Less than 3 sec. (V.34, JBIG)
Scan Speed	Up to 31 opm
Abbr. Dials	2000 (Max. number of recipient contacts)
Program Dials	400 (Max. number of program registrants)
Group Registration	100 (Max. number of group registrants)
Simultaneous Recipients	Max. 500
Fax Features	Program, Select from address book, Group dial program, Auto redial, Original TX (text, text/photo, photo), Density adjustment, Memory TX, Busy/error redial, Broadcast TX, Timer TX, Confidential TX, Relay TX request, Polling RX, TX Original size setting, Mixed original TX, ECM OFF, V34 OFF TX, Password TX, Memory RX, Memory vicarious execution RX, Password RX, Auto Reduction print, Full size print, TEL/FAX Auto switch, Audio response, Answering Machine Connection, Remote RX, Nighttime Receiving User Box destination setting, Activity report, TX Result Report, Broadcast Result TX Report, Broadcast Result RX Report, Various lists, Long paper original TX/RX, PC-FAX TX/RX, Mistake TX prevention.

# Konica Minolta bizhub 4750/4050

## Specification & Installation Guide



### Component Considerations

#### MK-P03 Mount Kit



Type	Internal Component
Function	Required for installation of FK-512 Fax Kit

#### AU-201H Proximity Card Authentication Unit\*



Dimensions (WxHxD)	3.625" x 2.5" x 0.625"
Weight	0.25 lb.
Power Supply	Supplied from USB Port
System Conditions (operating mode)	Ambient Temperature: 32° to 104° F Humidity: 20% to 85%
System Conditions (non-operating mode)	Ambient Temperature: -4° to 122° F Humidity: 20% to 85%
Radio Law Division	Self-Guided Read-Write Communication Facility
Applicable Card	ISO 14443 Type A, FeliCa-based non-contact IC Card
Acquired Standard	VCCI Class B

#### AU-202H HID iClass Card Reader\*



Dimensions (WxHxD)	4.0" x 1.9" x 0.09"
Weight	0.25 lb.
Power Supply	Supplied from USB Port
System Conditions (operating mode)	Ambient Temperature: 31° to 150° F Humidity: 5% to 95%
Transmit Frequency	13.56 MHz
Environmental	IP55
Certifications	UL294/cUL (US), FCC Certification (US), IC (Canada), RoHS
Card Type Compatibility	All HID 2k, 16k or 32k iClass Cards
HID iClass Card Format Compatibility	26-bit, HID Corporate 1000®

\* May not be available at time of launch.

# Konica Minolta bizhub 4750/4050

## Specification & Installation Guide



### Mixed Original Support

● Possible × Not Possible

Document Size <sup>2</sup>	Maximum Document Width <sup>1</sup>				
	8.5" x 11" portrait	8.5" x 14" landscape	8.5" x 11" landscape	5.5" x 8.5" portrait	5.5" x 8.5" landscape
8.5" x 14" (☐)	×	●	●	×	×
8.5" x 11" (☐)	×	●	●	×	×

<sup>1</sup> Indicates the width of the widest document size of the mixed originals.

<sup>2</sup> Indicates the document sizes that can be mixed together based on the maximum document width.

### Standard Paper Tray Support

Main Unit - bizhub 4750/4050 (Standard Tray/Bypass Tray)			
Component	Capacity	Size	Weight
Standard Tray	550-sheets	5.5" x 8.5" to 8.5" x 14"	60-120 gsm
Bypass Tray	100-sheets	5.5" x 8.5" to 8.5" x 14"	Up to 163 gsm

### Print Function (Standard)

Controller	Built-in Emperon® print system	
Power Supply	Common with the main body	
CPU	88PA6170 (800MHz)	
Memory	2 GB (320 GB HDD)	
Print Speed (Letter Portrait)	<b>bizhub 4750</b> 50 ppm	<b>bizhub 4050</b> 42 ppm
First Copy/Print	8.5 sec. or less from platen	
Print Resolution	600 dpi x 600 dpi, 1,200 dpi x 1,200 dpi	
PDL	PostScript 3 (3016), PCL6 (XL 3.0), PCL5e/c, XPS (Ver. 1.0), PDF Direct Printing (Ver. 1.7), JPEG/TIFF Direct Print	
Network Protocols	TCP/IP (IPv4/IPv6), IPP1.1, SNMP, HTTP, HTTPS	
Support OS	<b>Server:</b> Windows Server 2003 (x32/x64), Windows Server 2008 (x32/x64), Windows 2008 R2 (x32/x64), Server 2012  <b>Client:</b> Windows XP (x32/x64), Windows Vista (x32/x64), Windows 7 (x32/x64), Windows 8 (x32/x64), Mac OS X, Linux (SUSE, Red Hat)	
Interface	10 Base-T/100 Base-TX/1000 Base-T, Hi-Speed USB 2.0, USB 2.0 Host Port	
Font	<b>PCL:</b> 80 fonts <b>PS3 Emulation:</b> 137 fonts	
Supported Paper Sizes	5.5" x 8.5" to 8.5" x 14"	

### Print Drivers

PCL 6 (XL 3.0) Emulation	Konica Minolta PCL Driver	Windows XP (x32/x64), Windows Vista (x32/x64), Windows Server 2003 (x32/x64), Windows Server 2008 (x32/x64), Windows Server 2008 R2 (x32/x64), Windows Server 2012 (x32/x64), Windows 7 (x32/x64), Windows 8 (x32/x64)
PostScript 3 (3016)	Konica Minolta Post Script Driver	Windows XP (x32/x64), Windows Vista (x32/x64), Windows Server 2003 (x32/x64), Windows Server 2008 R2 (x32/x64), Windows Server 2012 (x32/x64), Windows Server 2012 (x32/x64), Windows 7 (x32/x64), Windows 8 (x32/x64), Mac OS X, Linux (SUSE, Red Hat)
XPS	XPS Printer Driver	Windows Vista (x32/x64), Windows Server 2008 (x32/x64), Windows 2008 R2 (x32/x64), Windows 2012 (x32/x64), Windows 7, Windows 8 (x32/x64)
Universal PCL and PS Driver*	Konica Minolta Universal Printer Driver and PS Driver*	

\* May not be available at time of launch.

# Konica Minolta bizhub 4750/4050

## Specification & Installation Guide



### Scanning Function (Standard)

Type	Full-Color Scanner
Scanning Size	Up to 8.5" x 14"
Scanning Resolution	600/400/300/200 dpi
Scanning Speed	300 dpi: Up to 48 ppm** Monochrome Up to 32 ppm** Color
Main Function	Scan-to-Email, Scan-to-User Box (HDD), Scan-to-FTP, Scan-to-USB, Scan-to-SMB, Scan-to-WebDAV, WSD Scan, TWAIN Scan
Interface	Gigabit Ethernet (10/100/1000 Base-TX) USB Host
Protocol	TCP/IP (FTP, SMB, SMTP, WebDAV, WSD-Scan)
Support OS	Windows XP, Vista, Server 2003, Server 2008, Server 2008 R2, Server 2012 (x32/x64), Windows 7, Windows 8 (x32/x64) Mac OS X
Output Format	TIFF, PDF, Compact PDF, PDF/A, JPEG, XPS
Driver	Network TWAIN (Windows/Mac), WIA 1.0/2.0 (Windows only)
Address Setting	LDAP

\*\* Scan speed varies by resolution and amount of data being scanned.

### Network Functions

#### Sending the Scanned Data in an Email Message

Scanned data can be sent to a specified Email address. The destination is specified from the control panel of this machine, and the scanned data is sent as an Email attachment.

#### Sending the Scanned Data as Files (FTP)

Scanned data is uploaded to a specified FTP server. The FTP server address, login password, and other information are entered from Web Based Management.

#### Sending the Scanned Data to a Computer on the Network (SMB)

Scanned data can be sent to a shared folder on a specified computer. The name of the destination computer, login password, and other information are entered from Web Based Management .

#### Sending the Scanned Data to a USB Thumb Drive

Scanned data can be sent to a USB thumb drive inserted into the US Host Port on the side of the machine.

#### Sending the Scanned Data to the built-in HDD

Scanned data can be saved on the 4750/4050's built-in 320 GB HDD.

#### Sending the Scanned Data to WebDAV

Scanned data is uploaded to a specified web server. The host name, file path, user name and password are entered on the touch panel of the machine. The data files uploaded to the server can be downloaded from a computer on the network.

#### Using the bizhub 4750/4050 solely as a Scanner

This machine can be used as a scanner. The scanner can be controlled from a PC connected to the network, and the scanned image can be loaded into an application on the PC to be processed.

### Fax Function (Optional)

Communication	Super G3
Compatible Lines	Public Switched Telephone Network, PBX
Line Density	Standard: 200 x 100 dpi Fine: 200 x 200 dpi Super Fine: 400 x 400 dpi
Modem Speed	33.6 Kbps
Compression	MH/MR/MMR/JBIG
Transmit Paper Size	Up to 8.5" x 14" (Flatbed) or 8.5" x 39" (ADF)
Receive Paper Size	Up to 8.5" to 14"
Transmission Speed	Less than 3 seconds (V.34, JBIG) for 8.5" x 11"

### PageScope Software

#### Network & Device Management

PageScope Net Care Device Manager  
PageScope Data Administrator

#### User Tools

PageScope Direct Print  
PageScope Print Status Notifier  
PageScope Web Connection

#### Management Tools

bizhub vCare

#### Optional Software

PageScope Enterprise Suite  
▶ PageScope Account Manager  
▶ PageScope Authentication Manager  
▶ PageScope My Print Manager  
▶ PageScope Net Care Device Manager

### Security

Because information assets are critical, a company needs to effectively protect against the many security risks it faces.

- 1) Prevent Leaks of proprietary, confidential or personal information
- 2) Prevent unauthorized use of equipment
- 3) Effective data encryption
- 4) Protect data from being altered, duplicated or deleted
- 5) Prevent unauthorized access to data via the Internet
- 6) Protect against cyber attacks
- 7) Manage log history

### Protective Functions:

- HDD Overwrite — Overwrite Data (choose from 8 modes)
- Secure Print (when printing confidential documents)
- Protect data by requiring department name and 8-digit password
- Account Track
- Prevent Unauthorized Use
- HDD Encryption
- PDF Scan Encryption
- SSL/TSL Compatibility for PS Web Connection, PS Data Administrator and LDAP Server
- Scan Data Encryption (TCP/socket SSL Compatibility)
- LDAP Authentication
- IP Address Filtering
- HID Authentication Card Unit (Optional)
- IPv6
- Allow/Restrict USB Memory Scanning
- Secure Print

### Paper Considerations

#### Paper Size Conversion Chart

Paper	Letter	Legal	Statement	Custom
Measurement	8.5" x 11"	8.5" x 14"	5.5" x 8.5"	3.6"(W) x 5.8"(L) to 8.5"(W) x 14"(L)

#### Paper Weight Conversion Chart

gsm	Bond	Offset	Cover	Tag	Index	Point	Bristol	Caliper	
								inches	mm
60.20	16	40	22	37	33	3.2	27.4	0.0032	0.081
67.72	18	45	24	41	37	3.6	30.9	0.0036	0.092
75.20	20	50	28	46	42	3.8	34.3	0.0038	0.097
90.30	24	60	33	56	50	4.8	41.2	0.0048	0.120
105.35	28	70	39	64	58	5.8	48.1	0.0058	0.147
109.11	29	73	40	62	60	6.0	49.8	0.0060	0.152
116.63	31	81	45	73	66	6.1	53.2	0.0061	0.155
131.68	35	90	48	80	74	6.2	60.1	0.0062	0.157
135.45	36	90	50	82	75	6.8	61.8	0.0068	0.173
146.73	39	100	54	90	81	7.2	67.0	0.0072	0.183
150.50	40	100	56	93	83	7.3	68.7	0.0073	0.185
161.78	43	110	60	100	90	7.4	73.8	0.0074	0.188
165.55	44	110	61	102	92	7.6	75.5	0.0076	0.193
176.83	47	120	65	108	97	8.0	80.7	0.0078	0.198
199.41	53	135	74	122	110	9.0	91.0	0.0085	0.216
203.17	54	137	75	125	113	9.0	92.7	0.0090	0.229



# Konica Minolta bizhub 4750/4050

## Specification & Installation Guide



### Paper Type Specifications\*

#### Normal (Plain Paper)

Normal paper is for general use. Normal paper is usually not a recycled paper.

#### Thick Paper

Thick Paper is paper weighing up to 43 lb. bond. It can be fed via the Multi Purpose Feeder (Bypass Tray).

#### Envelopes

Envelopes can be fed through the bypass tray (Up to 10 envelopes).

\* Please see the latest Media Guide for compatible paper at [mykonicaminolta.com](http://mykonicaminolta.com)

### Recommended Paper Stocks

#### Media Type

Plain Paper	Hammermill Tidal MP (75 gsm)
Recycle Paper	Domtar Recycled Copy (30% Post Consumer) (75 gsm)
Thick Paper	Hammermill Color Copy Paper 32 lb.
OHP Transparencies	3M-PP2500
Envelope	Preservation Wove 24 lb. 57859 #6 <sup>3</sup> / <sub>4</sub> (98 x 165 mm)
Other	Official Postcard

NOTE: Please log onto [mykonicaminolta.com](http://mykonicaminolta.com) for updates on paper recommendations. You can find updates in the latest Specifications and Installation Guide or the latest Media Guide.

### How to Build a bizhub 4750/4050 System (from start to finish)

#### Step 1: Base Unit

- **bizhub 4750/4050 Digital Monochrome Printer/Copier/Scanner**  
Includes PS, PCL, and XPS Controller, Automatic Duplex Unit, 50-sheet Reversing Automatic Document Feeder, 650 Sheets Paper Capacity, 2.0 GB Standard Memory, 320 GB HDD, Standard USB 2.0 (supports local printing), USB 2.0 Host Port, Optional Authentication Device Connection, 7.5 K Starter Toner Cartridge, 60 K Imaging Unit.

#### Step 2: Paper Handling Options

- PF-P11 Paper Feed Unit**  
(250-sheet unit, max 3, 8.5" x 14")
- PF-P12 Paper Feed Unit**  
(550-sheet unit, max 3, 8.5" x 14")
- DK-P02 Copy Desk**

#### Step 3: Finishing Options

- FS-P02 Inner Finisher** (20-sheet Stapling)
- CS-1 Convenience Stapler**

#### Step 4: Image Controller

- **Standard Emperon Print System** (PCL/PS)

#### Step 5: Additional Options

- AU-201H Proximity Card Authentication Unit**
- AU-202H iClass Card Authentication Unit**
- FK-512 Fax Kit**
- MK-P03 Mount Kit**



# Konica Minolta bizhub 4750/4050

## Specification & Installation Guide



### Accessory Options for bizhub 4750/4050 Digital Monochrome Printer/Copier/Scanner

ACCESSORY	ITEM NO.	DESCRIPTION	NOTES
<b>BASE UNIT</b>			
bizhub 4750	A6F7011	Printer/Copier/Scanner	<i>Includes PS, PCL, and XPS Controller, Automatic Duplex Unit, 50-sheet Reversing Automatic Document Feeder, 650 Sheets Paper Capacity, 2.0 GB Standard Memory, 320 GB HDD, Standard USB 2.0 (supports local printing), USB 2.0 Host Port, Optional Authentication Device Connection, 7.5 K Starter Toner Cartridge, 60 K Imaging Unit.</i>
bizhub 4050	A6VF011		

#### PAPER HANDLING OPTIONS

PF-P11	A63Y0Y1	Paper Feed Unit (250 sheets)	<i>Lower feeder unit adds 250 sheets of paper capacity (8.5" x 11" to 8.5" x 14"). Add up to 3 units (total for PF-P11 + PF-P12).</i>
PF-P12	A6440Y1	Paper Feed Unit (550 sheets)	<i>Lower feeder unit adds 550 sheets of paper capacity (8.5" x 11" to 8.5" x 14"). Add up to 3 units (total for PF-P11 + PF-P12).</i>
DK-P02	9967002761	Copy Desk	<i>Adds storage and mobility. Storage shelf is adjustable.</i>

#### FINISHING OPTIONS

FS-P02	A6VHWY1	Inner Finisher	<i>Provides 20-sheet stapling.</i>
CS-1	7640013463	Convenience Stapler	<i>Standalone Electronic Stapler</i>

#### ADDITIONAL OPTIONS

AU-201H	7640005064	HID Proximity Card Authentication Unit	<i>For use with HID proximity cards for access to bizhub 4750/4050.</i>
AU-202H	7640008394	iClass Card Authentication Unit	<i>For use with HID iClass cards for access to bizhub 4750/4050.</i>
FK-512	A6EDW11	Fax Kit	<i>Adds Super G3 fax functionality.</i>
KP-P01	A6XYWY1	10-Key Pad	<i>Adds hardware keypad for Section 508 compliance.</i>
LK-106	A0PD019	i-Option License Kit	<i>Provides Bar Code Font Printing Support.</i>
LK-107	A0PD01F	i-Option License Kit	<i>Provides Unicode Font Printing Support.</i>
LK-108	A0PD01G	i-Option License Kit	<i>Provides OCR Font Printing Support.</i>
LK-111	A0PD01K	i-Option License Kit	<i>Provides ThinPrint Printing Support.</i>
MK-P03	A6VGWY1	Mount Kit	<i>Required for installation of FK-512 Fax Kit.</i>

#### CONSUMABLES YIELDS\*

CONSUMABLE	ITEM NO.	YIELD
TNP44 Black Toner	A6VK01F	20,000 pages
IUP20 Imaging Unit	A6VM03V	60,000 pages
SK-501 Staples (for FS-P02)	A6Y8WY1	5,000 staples
SK-602 Staples (for CS-1)	14YK	5,000 x pkg/case

\* Konica Minolta Return Program cartridges are patented print cartridges sold at a discount in exchange for customer's agreement to the license requirement that the cartridges will be used only once and returned only to manufacturer for remanufacturing or recycling. These patented cartridges are licensed for single use only and will stop working after delivering a fixed amount of toner. Toner may remain in the cartridge when replacement is required. Replacement cartridges sold without these restrictions are also available. Please contact Konica Minolta representative for further details and availability. Yields are based on 5% total coverage.