



KONICA MINOLTA

bizhub 4750/4050 USER'S GUIDE

Introduction





Table of contents

1 Introduction

1.1	Welcome	1-3
1.2	User's Guides	1-3
	Booklet manuals	1-3
	User's guides included in User's Guide CD/DVD-ROM	1-3
1.3	Notations and symbols used in this manual.....	1-4
	Procedural instruction.....	1-4
	Symbols used in this manual	1-4
	Product and key names.....	1-4
	Notations of application names	1-4
1.4	Safety information.....	1-5
	Warning and precaution symbols	1-5
	Meaning of symbols.....	1-5
1.5	Legal Restrictions on Copying.....	1-10
1.6	Regulation notices	1-11
	For EU member states only	1-11

2 Before Using This Function

2.1	CD/DVD-ROM supplied with this machine	2-3
2.2	Installation location and environment.....	2-4
2.2.1	Installation location	2-4
2.2.2	Installation environment.....	2-5

3 About This Machine

3.1	Checking the name of each part	3-3
	Front side.....	3-3
	Rear side.....	3-4
3.2	Checking the option configuration.....	3-5
	List of optional components	3-5
	Front view (with optional devices installed)	3-6
	Rear side view (with optional devices installed).....	3-6

4 Turning the Power On or Off

4.1	About power supply	4-3
4.2	Turning the Power Switch ON or OFF	4-4
4.3	Using the Power key	4-5
	When using the Power key as a Power Save key	4-5
	When using the Power key as a Sub Power OFF key	4-6

5 Loading the Original

5.1	Loading the original into the ADF.....	5-3
	Original available for ADF.....	5-3
	Loading the original into the ADF	5-4
5.2	Loading the original onto the Original Glass.....	5-5
	Original available on the Original Glass	5-5
	Loading the original onto the Original Glass.....	5-5

6 Loading Paper

6.1	Paper	6-3
6.1.1	Checking the available paper types.....	6-3
6.1.2	Checking the available paper sizes.....	6-4
6.1.3	Precautions for correct operations.....	6-5
	Unavailable paper.....	6-5
	Storing paper.....	6-5
6.2	Loading paper into the Manual Feed Tray	6-6
	How to load paper into the Manual Feed Tray.....	6-6
	Loading postcards.....	6-8
	Loading envelopes.....	6-9
6.3	Loading paper into Tray 1/2/3/4	6-10
	Loading letterheads.....	6-12

7 Control Panel

7.1	Names and functions of Control Panel keys	7-3
7.2	Changing the angle of the Control Panel	7-5
7.3	Touch Panel	7-6
7.3.1	Operating the Touch Panel.....	7-6
	Tap.....	7-6
	Flick.....	7-6
7.3.2	Displaying the Keypad.....	7-6
7.3.3	Switching the entry or selection screen.....	7-7
7.3.4	Precautions on using the Touch Panel.....	7-7
7.4	Entering characters	7-8
7.5	Screen layout	7-9
7.5.1	Main Menu.....	7-9
7.5.2	Main screen.....	7-10
7.5.3	Icon types.....	7-11
	Icons indicating the status of this machine.....	7-11
	Icons to change to selection screen.....	7-11
7.6	Changing the function assigned to a Register key (for administrators)	7-12

8 Viewing Active Job and Job Logs

	Displaying the Job List screen.....	8-3
	Viewing the active job.....	8-3
	Viewing job logs.....	8-4

9 Login Screen

	Logging in to this machine.....	9-3
	Performing user authentication (MFP authentication).....	9-3
	Performing user authentication (external server authentication).....	9-5
	Performing account track.....	9-7

10 Specifications

10.1	Checking the specifications of this machine	10-3
10.2	Checking the specifications of optional devices	10-5
	Paper Feed Unit PF-P11.....	10-5
	Paper Feed Unit PF-P12.....	10-5
	Fax Kit FK-512.....	10-6
	Finisher FS-P02.....	10-6
	Authentication Unit AU-201.....	10-7
10.3	Standard operating life of consumables and periodic replacement parts	10-8



11 Trademarks and copyrights

Trademark acknowledgements.....	11-3
OpenSSL Statement	11-3
OpenSLP License	11-5
Bonjour.....	11-5
NetSNMP License.....	11-7
Kerberos.....	11-9
WPA Supplicant	11-12
Copyright	11-12
Note	11-12
SOFTWARE LICENSE AGREEMENT	11-13
Our Concern for Environmental Protection.....	11-14

12 Index



Introduction

1 Introduction

1.1 Welcome

Thank you for purchasing this machine.

To obtain maximum performance from this product and to learn how to use it effectively, please read this User's Guide as necessary.

1.2 User's Guides

Booklet manuals

Manual title	Overview
[Safety Information Guide]	This guide describes notes and precautions that should be followed to use this machine. Please be sure to read this manual before using this machine.

User's guides included in User's Guide CD/DVD-ROM

Manual title	Overview
[Quick Guide]	This guide describes how to perform basic operations of this machine and configure initial settings.
[User's Guide Introduction]	This guide contains information that is useful to know before beginning to operate this machine, such as the name of each part and how to turn the power on and off, use the Control Panel , and load an original or paper.
[User's Guide Print]	This guide describes how to install the printer driver as well as basic usage and applications.
[User's Guide Copy]	This guide describes various methods to make copies.
[User's Guide Scan]	This guide describes scan transmission operations and necessary preparations. You can scan a paper document, convert it to digital data, and send the result to the computer or server.
[User's Guide Fax]	This guide describes fax operations and necessary preparations.
[User's Guide Network Fax]	This guide describes fax (Internet fax) operations using the network and necessary preparations.
[User's Guide PC-FAX]	This guide describes PC- Fax operations and necessary preparations. You can send the original data created on the computer by fax directly without printing it out to paper.
[User's Guide Advanced Functions]	This guide describes how to install optional license kits and functions that can be used by installing the license kits.
[User's Guide Maintenance/Troubleshooting]	This guide describes how to replace consumables, clean this machine, and perform troubleshooting.
[User's Guide Description of Utility Keys]	This guide describes Utility settings such as [User Settings] and [Administrator Settings] for this machine.
[User's Guide Applied Functions]	This guide describes the special usages of this machine such as how to use Web Connection , manually install the printer driver, configure print settings using Linux, and use the authentication unit.

1.3 Notations and symbols used in this manual

Procedural instruction

- ✓ This check mark symbol shows a precondition of a procedure.
- 1 This format number "1" represents the first step.
- 2 This format number represents the order of consecutive steps.
 - This symbol indicates a supplementary explanation of a procedural instruction.

Symbols used in this manual

WARNING

- This symbol indicates that a failure to heed the instructions may lead to death or serious injury.

CAUTION

- This symbol indicates that a failure to heed the instructions may lead to mishandling that may cause injury or property damage.

NOTICE

This symbol indicates a risk that may result in damage to this machine or documents. Follow the instructions to avoid property damage.



Tips

This symbol indicates supplemental information of a topic as well as options required to use a function.



Reference

This symbol indicates reference functions related to a topic.



Related setting

This shows the settings related to a particular topic for any user.



Related setting (for the administrator)

This shows the settings related to a topic only for administrators.

Product and key names

Notations used in this manual	Description
[]	An item enclosed in brackets [] indicates a key name on the Touch Panel or computer screen, or the name of a user's guide.
Bold text	This presents a key name, part name, product name, or option name on the Control Panel .

Notations of application names

This manual describes application names as shown below.

Application name	Notations used in this manual
PageScope Direct Print	Direct Print
PageScope Web Connection	Web Connection
PageScope Data Administrator	Data Administrator
PageScope Net Care Device Manager	Net Care Device Manager

1.4 Safety information

This section contains detailed instructions on the operation and maintenance of this machine. To achieve optimum utility of this device, all operators should carefully read and follow the instructions in this manual.

Please read the following section before connecting the machine to the supply. It contains important information related to user safety and preventing equipment problems.

Please keep this manual in a handy place near the machine.



Make sure you observe all of the precautions appear in each section of this manual.

Reference







- Some parts of the contents of this section may not correspond with the purchased product.

Warning and precaution symbols

The following indicators are used on the warning labels or in the manuals to categorize the level of safety warnings.



 WARNING	Ignoring this warning could cause serious injury or even death.
 CAUTION	Ignoring this caution could cause injury or damage to property.

Meaning of symbols

-  A triangle indicates a danger against which you should take precaution.
-  This symbol warns against cause burns.
-  A diagonal line indicates a prohibited course of action.
-  This symbol warns against dismantling the device.
-  A solid circle indicates an imperative course of action.
-  This symbol indicates you must unplug the device.



Disassemble and modification

 WARNING

- Do not modify this product, as a fire, electrical shock, or breakdown could result. If the product employs a laser, the laser beam source could cause blindness. 
- Do not attempt to remove the covers and panels which have been fixed to the product. Some products have a high-voltage part or a laser beam source inside that could cause an electrical shock or blindness. 

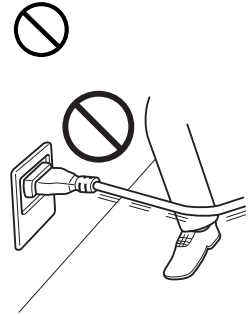
Power cord

 WARNING

- Use only the power cord supplied in the package. If a power cord is not supplied, only use the power cord and plug that is specified in POWER CORD INSTRUCTION. Failure to use this cord could result in a fire or electrical shock. 
- Do not use the power cord other than being supplied in the package. If a power cord is not supplied, only use the power cord and plug that is specified in POWER CORD INSTRUCTION. Failure to use this cord could result in a fire or electrical shock. 

Power cord

- Do not scratch, abrade, place a heavy object on, heat, twist, bend, pull on, or damage the power cord. Use of a damaged power cord (exposed core wire, broken wire, etc.) could result in a fire or breakdown. Should any of these conditions be found, immediately turn OFF the power switch, unplug the power cord from the power outlet, and then call your authorized service representative.



Power source

⚠ WARNING

- Do not use the power source voltage other than being specified on the machine. Failure to do that could result in a fire or electrical shock.
- Do not use a multiple outlet adapter to connect any other appliances or machines. Use of a power outlet for more than the marked current value could result in a fire or electrical shock.
- Do not use an extension cord in principle. Use of an extension cord could cause a fire or electrical shock. Contact your authorized service representative if an extension cord is required.



⚠ CAUTION

- The outlet must be near the equipment and easily accessible. Otherwise you can not pull out the power plug when an emergency occurs.



Power plug

⚠ WARNING

- Do not unplug and plug in the power cord with a wet hand, as an electrical shock could result.
- Plug the power cord all the way into the power outlet. Failure to do this could result in a fire or electrical shock.



⚠ CAUTION

- Do not place any objects around the power plug, as the power plug may be difficult to pull out when an emergency occurs.
- Do not tug the power cord when unplugging. Pulling on the power cord could damage the cord, resulting in a fire or electrical shock.
- Remove the power plug from the outlet more than one time a year and clean the area between the plug terminals. Dust that accumulates between the plug terminals may cause a fire.



Grounding

⚠ WARNING

- Make sure to ground this product. (Connect the power cord to an electrical outlet that is equipped with a grounding terminal.) Failure to do so and an unlikely event of leakage could result in a fire or electrical shock.

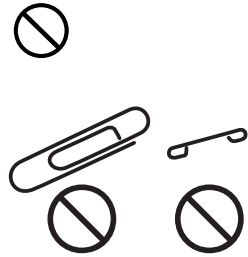


Installation

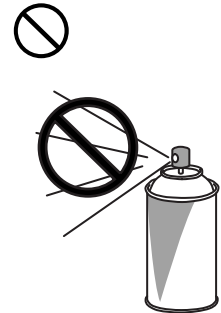
WARNING

- Do not place a flower vase or other container that contains water, or metal clips or other small metallic objects on this product. Spilled water or metallic objects dropped inside the product could result in a fire, electrical shock, or breakdown.

Should a piece of metal, water, or any other similar foreign matter get inside the product, immediately turn OFF the power switch, unplug the power cord from the power outlet, and then call your authorized service representative.



- Do not use flammable sprays, liquids, or gases inside or near this machine. Do not clean the inside of this machine using a flammable gas duster. A fire or explosion could result.



CAUTION

- After installing this product, mount it on a secure base. If the unit moves or falls, it may cause personal injury.



- Do not place the product in a dusty place, or a site exposed to soot or steam, near a kitchen table, bath, or a humidifier. A fire, electrical shock, or breakdown could result.



- Do not place this product on an unstable or tilted bench, or in a location subject to a lot of vibration and shock. It could drop or fall, causing personal injury or mechanical breakdown.



- Do not let any object plug the ventilation holes of this product. Heat could accumulate inside the product, resulting in a fire or malfunction.



Ventilation

CAUTION

- Using this product in a poorly ventilated room for a long time or producing a large volume of copies or prints may cause the odor of exhaust air from the machine. Ventilate the room well.



Actions in response to troubles

WARNING

- Do not keep using this product, if this product becomes inordinately hot or emits smoke, or unusual odor or noise. Immediately turn OFF the power switch, unplug the power cord from the power outlet, and then call your authorized service representative. If you keep on using it as is, a fire or electrical shock could result.



- Do not keep using this product, if this product has been dropped or its cover damaged. Immediately turn OFF the power switch, unplug the power cord from the power outlet, and then call your authorized service representative. If you keep on using it as is, a fire or electrical shock could result.




Actions in response to troubles

 CAUTION

- The inside of this product has areas subject to high temperature, which may cause burns. When checking the inside of the unit for malfunctions such as a paper mis-feed, do not touch the locations (around the fusing unit, etc.) which are indicated by a "Caution HOT" caution label.



Consumables

 WARNING

- Do not throw the toner cartridge or toner into an open flame. The hot toner may scatter and cause burns or other damage.




 CAUTION

- Do not leave toner-related parts (toner units, PC drum units, imaging units or developing units) within easy reach of children. Licking any of these parts or ingesting toner could damage your health.
- Do not store toner-related parts (toner units, PC drum units, imaging units or developing units) near devices susceptible to magnetism, such as precision equipment and data storage devices, otherwise they may malfunction. They could cause these products to malfunction.
- Do not force open the toner-related parts (toner units, PC drum units, imaging units or developing units). If toner tumbles from the toner bottle, take utmost care to avoid inhaling it or even getting skin contact.
- If toner lands on your skin or clothing, wash thoroughly with soap and water.
- If you inhale toner, move to a place with fresh air and gargle with a lot of water repeatedly. Should you get symptoms such as coughing, seek medical advice.
- If you get toner into your eyes, immediately rinse them with running water for over 15 minutes. Seek medical advice if irritation persists.
- If you swallow toner, rinse out your mouth and drink a few glasses of water. Seek medical advice if necessary.



When moving the machine

 CAUTION

- Whenever moving this product, be sure to disconnect the power cord and other cables. Failure to do this could damage the cord or cable, resulting in a fire, electrical shock, or breakdown.
- When moving this product, always hold it at the locations specified in the User's Guide or other documents. If the unit is moved while held at locations other than those specified, it may fall, causing severe personal injury.



When using the machine

 WARNING

- If you use an implantable medical equipment (cardiac pacemaker, etc.), do not bring the IC card reader close from the implant within 12 cm at all times. The radio waves may affect implantable medical equipment (cardiac pacemaker, etc.) operations.




 CAUTION

- When using the machine, do not look at the light of the lamp for a prolonged time. Eyestrain could result.



Papers


 CAUTION

- Do not use stapled paper, conductive paper (such as silver paper or carbon paper) or treated heat-sensitive/inkjet paper, otherwise a fire may result.



When the Fax is not installed:

Before successive holidays

 CAUTION

- Unplug the product when you will not use the product for long periods of time.



1.5 Legal Restrictions on Copying

Certain types of documents must never be copied with the purpose or intent to pass copies of such documents off as the originals.

The following is not a complete list, but is meant to be used as a guide to responsible copying.

Financial Instruments

- Personal checks
- Traveler's checks
- Money orders
- Certificates of deposit
- Bonds or other certificates of indebtedness
- Stock certificates

Legal Documents

- Food stamps
- Postage stamps (canceled or uncanceled)
- Checks or drafts drawn by government agencies
- Internal revenue stamps (canceled or uncanceled)
- Passports
- Immigration papers
- Motor vehicle licenses and titles
- House and property titles and deeds

General

- Identification cards, badges, or insignias
- Copyrighted works without permission of the copyright owner

In addition, it is prohibited under any circumstances to copy domestic or foreign currencies, or works of art without permission of the copyright owner.

When in doubt about the nature of a document, consult with legal counsel.

NOTICE

This machine provides the forgery prevention function in order to prevent financial instruments from being copied illegally.

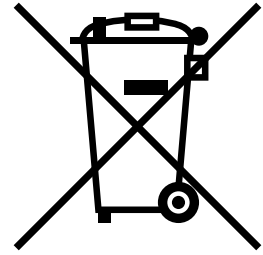
We appreciate your understanding that printed images may infrequently have some noise or image data may not be stored under certain circumstances due to this forgery prevention function.

1.6 Regulation notices

For EU member states only

This symbol means: Do not dispose of this product together with your household waste!

Please contact the Local Authority for appropriate disposal instructions. In the case of a new device being purchased, the used one can also be given to our dealer for appropriate disposal. Recycling of this product will help to conserve natural resources and prevent potential negative consequences for the environment and human health caused by inappropriate waste handling.



This product complies with RoHS (2011/65/EU) directive.



Before Using This Function

2 Before Using This Function

2.1 CD/DVD-ROM supplied with this machine

Item	Overview
[Printer/FAX]	Allows you to install the printer driver and fax driver. For details, refer to [User's Guide Print] and [User's Guide PC-FAX].
[Scanner]	Allows you to install the scanner driver. For details, refer to [User's Guide Scan].
[PageScope Utilities]	Provides various utilities that optimize the functions of this machine. Click it to display the download page.

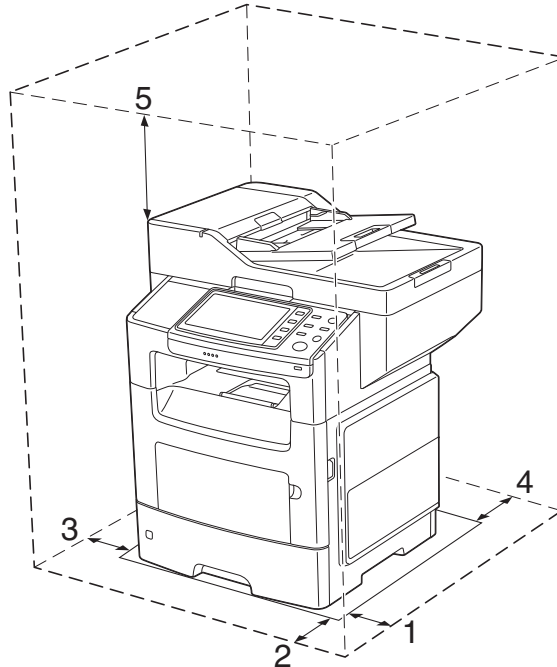
The CD/DVD-ROM also contains various user's guides.

For details on the user's guide types, refer to page 1-3.

2.2 Installation location and environment

2.2.1 Installation location

To simplify tasks such as operations, consumable replacement, or inspection, create an installation environment as shown below.



No.	Direction	Size
1	Right	12 inches (300 mm)
2	Front	20 inches (510 mm)
3	Left	8 inches (200 mm)
4	Rear	8 inches (200 mm) When the optional Finisher is installed: 11 inches (270 mm)
5	Top	31 inches (800 mm)

2.2.2 Installation environment

Install this machine in a location that can support its weight, including consumables and paper.

Model Name	Weight
bizhub 4750	Approx. 52-15/16 lb (24 kg)
bizhub 4050	Approx. 52-15/16 lb (24 kg)

Install this machine in the place shown below.

- Stable and horizontal (inclination around this machine: 1 degree or less) location with a hard, even surface
- To check whether the installation location is level, use a normal round pencil. If the pencil rolls, the location is not horizontal. Ensure this machine is horizontal, and make sure that there are no objects such as cables caught under this machine.
- Location close to a dedicated power outlet that is grounded
- Location close to your computer
- Sufficiently spacious location that ensures ease of use and appropriate air ventilation
- Location in which ambient temperature is 50°F to 86°F (10°C to 30°C) and humidity is 15% to 85%

Do not install this machine in the locations described below.

- Location exposed to direct sunlight
- Location in which excessive differences in temperature and humidity are detected due to close proximity to a heater or cooling equipment
- Location exposed to direct flame or combustible materials
- Location close to equipment such as a copy machine or air-conditioner that generates noise, or equipment such as a refrigerator that generates a strong magnetic or electromagnetic force
- Location close to water, water pipes, or fluid (drink) containers, corrosive chemicals, or corrosive gases such as ammonia
- Location in which fine metallic pieces such as clips or staples are scattered
- Location subject to thumping vibrations

Tips

- Do not connect to the same power outlet as that used for a high-current equipment.
- If this machine is installed in or moved to an environment subject to excessive changes in temperature, condensation will form in this machine, which may reduce printing quality. If condensation is detected, leave this machine for approximately 1 hour before using it to adjust to the environment.
- When using a humidifier or vaporizer in the room where this machine is installed, use purified or distilled water. If impurities in water are emitted into the air, they will collect in this machine and reduce printing quality.

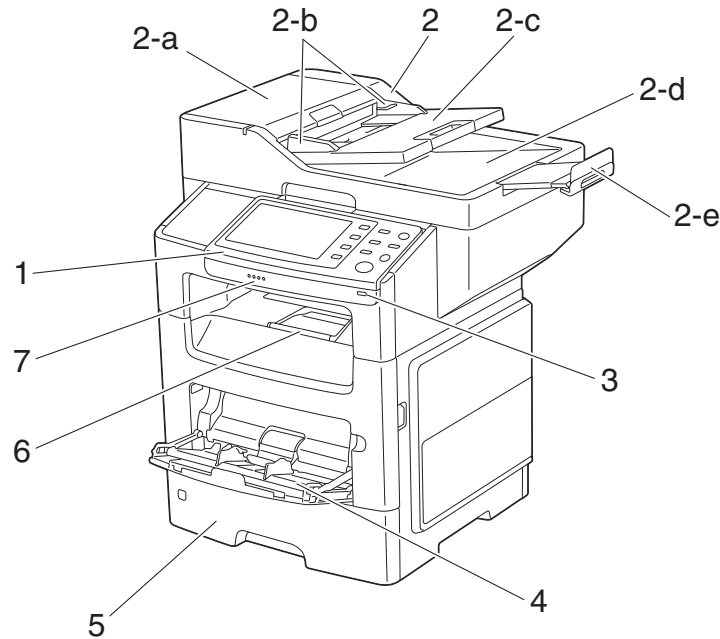
A large, bold, black number '3' is centered within a gray square. The square is positioned to the left of the text 'About This Machine'.

About This Machine

3 About This Machine

3.1 Checking the name of each part

Front side

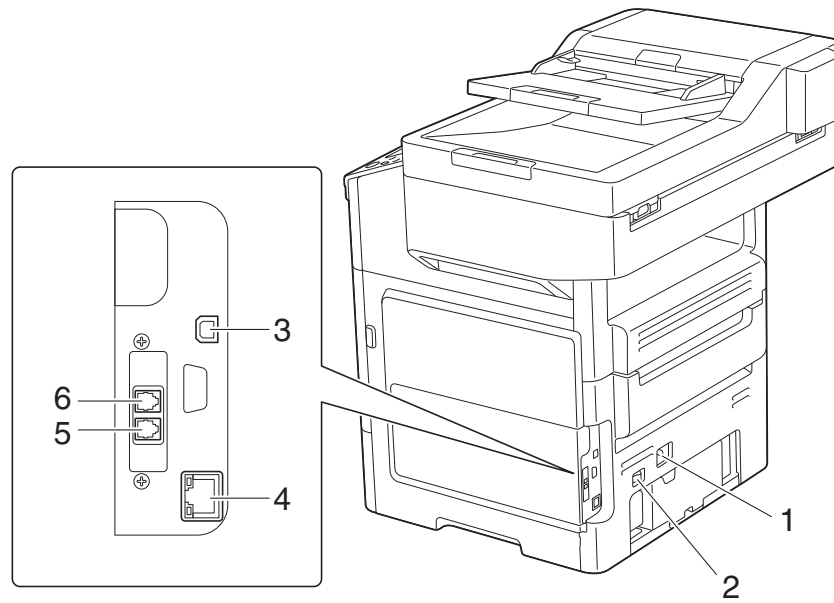


No.	Name
1	Control Panel
2	Automatic Document Feeder (ADF)
2-a	ADF Feed Cover
2-b	Document Guide
2-c	Document Feed Tray
2-d	Document Output Tray
2-e	Document Stopper
3	USB Host Port*
4	Manual Feed Tray
5	Tray 1
6	Output Tray
7	Data Indicator

* A USB hub can be connected to the **USB Host Port**. A USB memory device and **Authentication Unit** (IC card type) can be simultaneously connected to a USB hub one by one.

Rear side

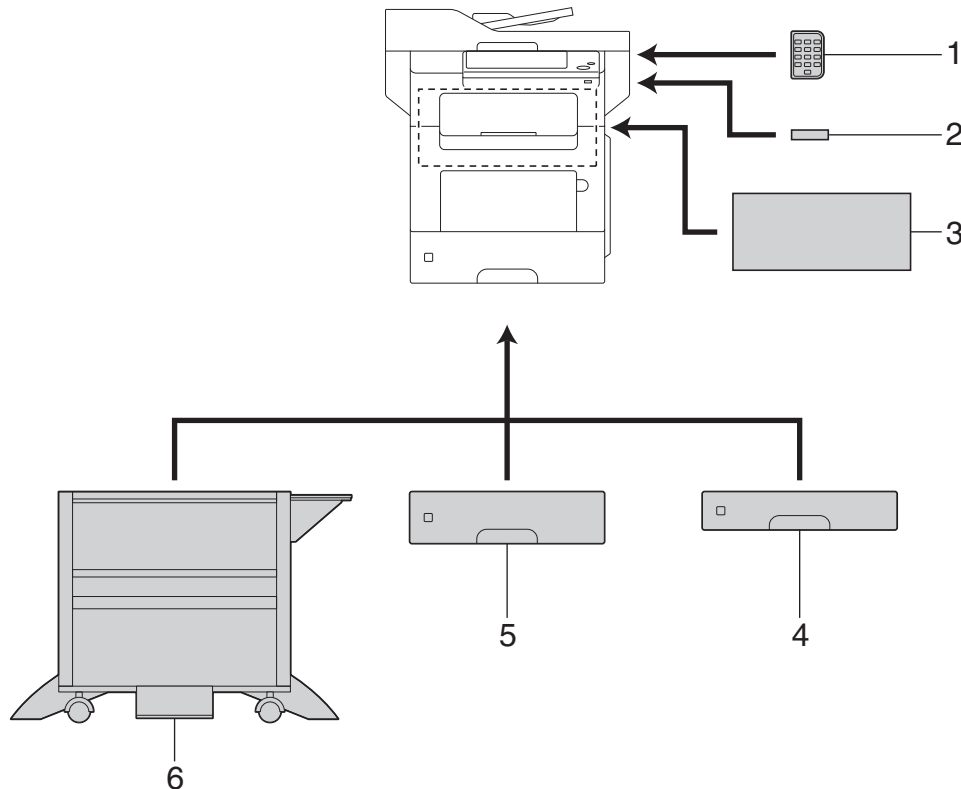
This view shows the machine with the optional **Fax Kit FK-512** and **Mount Kit MK-P03** installed.



No.	Name
1	Power Connection
2	Power Switch
3	USB Printer Port (Type B)
4	Ethernet (LAN) port (1000Base-T/100Base-TX/10Base-T)
5	LINE (telephone line) Jack
6	TEL (telephone) Jack

3.2 Checking the option configuration

List of optional components



No.	Name	Description
1	Keypad KP-P01	Located on the side of the Control Panel . Allows you to enter numbers by using the Hardware Keypad .
2	Authentication Unit AU-201	Performs user authentication by scanning information recorded on the IC card.
3	Finisher FS-P02	Staples the printed sheets. For staples, use Staple Kit SK-501 .
4	Paper Feed Unit PF-P11	Allows you to load up to 250 sheets. There are three slots in which the Paper Feed Unit can be installed.
5	Paper Feed Unit PF-P12	Allows you to load up to 550 sheets of paper. There are three slots in which the Paper Feed Unit can be installed.
6	DESK DK-P02	Used to install this machine on the floor. This component may not be able to be used depending on the region the machine is used in.

The following optional components are built into this machine and are not shown in the figure above.

7	Fax Kit FK-512	Used to operate this machine as a fax machine.
8	Mount Kit MK-P03	This unit is required to install the Fax Kit .
9	i-Option LK-106	Used to add a bar code font, which is one of special fonts.
10	i-Option LK-107	Used to add a unicode font, which is one of special fonts.
11	i-Option LK-108	Used to add an OCR font, which is one of special fonts.
12	i-Option LK-111	Supports the ThinPrint function, which is one of a number of advanced functions.

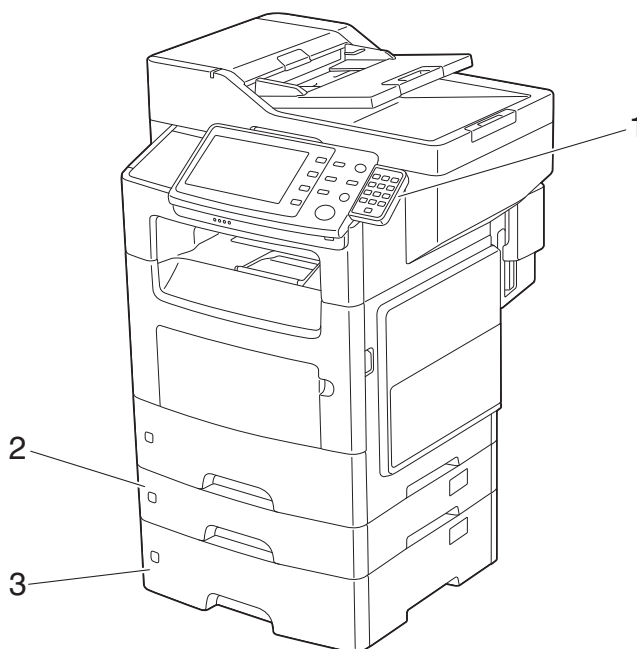


Reference

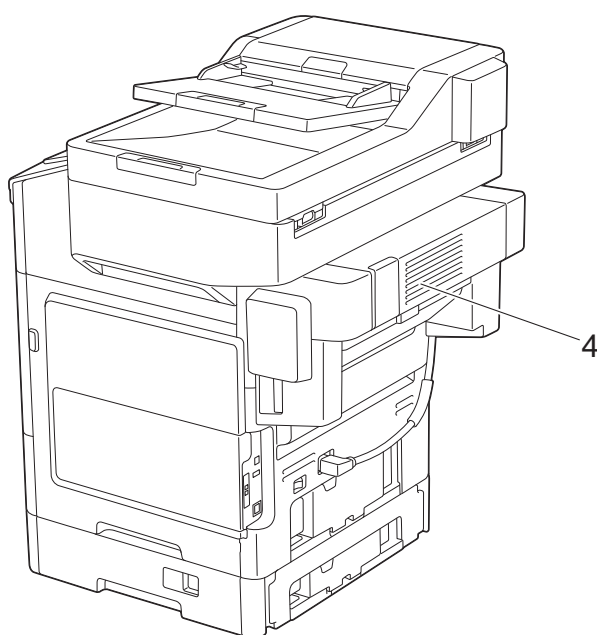
For details on how to register **i-Option** license kits, refer to [User's Guide Advanced Functions].

NOTICE

Before installing or removing optional devices, turn off the power of this machine and unplug the power plug from the outlet.

Front view (with optional devices installed)

No.	Name
1	Keypad KP-P01
2	Paper Feed Unit PF-P11
3	Paper Feed Unit PF-P12

Rear side view (with optional devices installed)

No.	Name
4	Finisher FS-P02

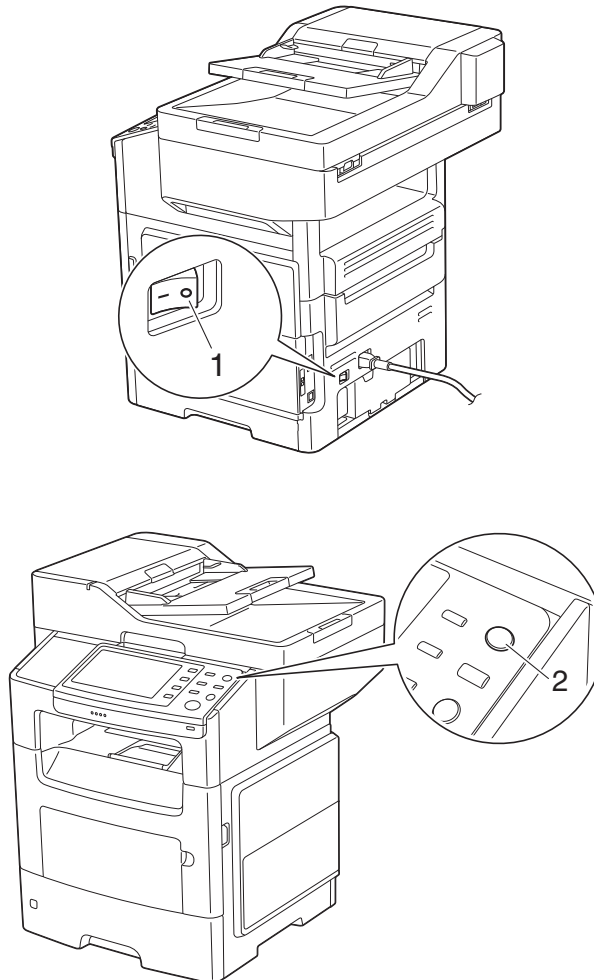
4

Turning the Power On or Off

4 Turning the Power On or Off

4.1 About power supply

This machine has two power switches: **Power Switch** outside the machine and **Power** key on the **Control Panel**.



No.	Name	Description
1	Power Switch	Press this switch when turning the main power of this machine on or off, or when restarting this machine.
2	Power key	Press this key to switch this machine to Power Save mode. This function reduces power consumption and has more significant power saving effect. For details, refer to page 4-5.

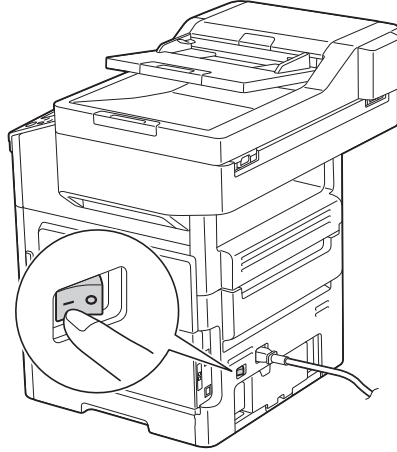
NOTICE

While printing, do not turn the **Power Switch** off or press the **Power** key. Otherwise, it may lead to a paper jam.

If the **Power Switch** is turned off or the **Power** key is pressed while this machine is running, the system deletes the currently loaded data or communicating data as well as queued jobs.

4.2 Turning the Power Switch ON or OFF

- 1 Connect the **Power Cord** to this machine.
- 2 Connect the **Power Cord** to the power outlet.
- 3 When turning the main power on, press | of the **Power Switch**.



A screen appears to show that this machine is in the process of start-up.
When the Main Menu icon appears, this machine is ready to operate.

- 4 When turning the main power off, press ○ of the **Power Switch**.

NOTICE

*When restarting this machine, turn the **Power Switch** off and on again after 10 or more seconds have elapsed. Not doing so may result in an operation failure.*

4.3 Using the Power key

Press the **Power** key to switch this machine to Power Save mode.

You can select [Power Save] or [Sub Power OFF] as Power Save mode that is activated when the **Power** key is pressed.

To configure settings: [Utility] - [Administrator Settings] - [System Settings] - [Power Supply/Power Save Settings] - [Power Save Key] (The default varies depending on the region the machine is used in.)

When using the Power key as a Power Save key

When the **Power** key is pressed, the status of this machine changes as shown below. Depending on how long the **Power** key is pressed, the state of the power saving mode to be activated will differ.

Power key	Status of this machine	Status of LED	Description
Short press	Low Power mode (Default)	Flash: Blue	Turns off the display of the Touch Panel to reduce power use. This machine returns to Normal mode when it receives data or faxes or when the user operates the Touch Panel .
	Sleep mode	Flash: Blue	Provides a greater power saving effect than Low Power mode. The time required to return to Normal mode is longer than that from Low Power mode. This machine returns to Normal mode when it receives data or faxes or when the user operates the Touch Panel .
Hold down	Sub Power OFF	Light up: Orange	Provides a greater power saving effect than Sleep mode. While the sub power is turned off, this machine can receive data or faxes, however, it cannot scan or print an original. If data or faxes are received while the sub power is turned off, they are printed when the machine returns to Normal mode. To enable the machine to return to Normal mode from the Sub Power OFF status, press the Power key again.

Related setting (for the administrator)

Press the **Power** key to select whether to switch to Low Power or Sleep mode.

To configure settings: [Utility] - [Administrator Settings] - [System Settings] - [Power Supply/Power Save Settings] - [Power Save Settings] (Default: [Low Power])

When using the Power key as a Sub Power OFF key

When the **Power** key is pressed, the status of this machine changes as shown below. Depending on how long the **Power** key is pressed, the state of the power saving mode to be activated will differ.

Power key	Status of this machine	Status of LED	Description
Short press	Sub Power OFF	Light up: Orange	Provides a greater power saving effect than Sleep mode. While the sub power is turned off, this machine can receive data or faxes, however, it cannot scan or print an original. If data or faxes are received while the sub power is turned off, they are printed when the machine returns to Normal mode. To enable the machine to return to Normal mode from the Sub Power OFF status, press the Power key again.
Hold down	ErP Auto Power OFF	Flash: Orange	This function provides a more significant power saving effect than the Sub Power OFF mode, which is close to the state where the main power is turned off. In ErP Auto Power OFF mode, this machine cannot receive data or faxes, and also it cannot scan or print an original. To enable the machine to return to Normal mode from the ErP Auto Power OFF status, press the Power key again.



Loading the Original

5 Loading the Original

5.1 Loading the original into the ADF

Original available for ADF

Item	Specifications
Original types	Plain paper (13-13/16 lb to 31-15/16 lb (52 g/m ² to 120 g/m ²))
Max. original size	A4 or Legal 8-1/2 inches × 14 inches (216 mm × 356 mm) (Fax only: 8-1/2 inches × 39-3/8 inches (216 mm × 1000 mm))
Original loading capacity	Max. 50 sheets (21-1/4 lb (80 g/m ²))

Do not load the following originals into the **ADF**. Doing so may cause an original paper jam, or damage the originals.

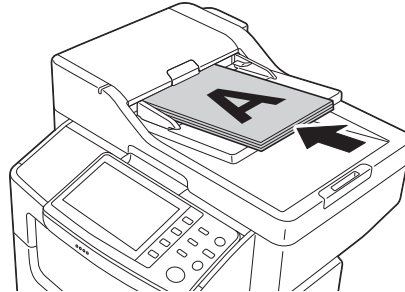
- Wrinkled, folded, curled, or torn originals
- Highly translucent or transparent originals, such as transparencies or diazo photosensitive paper
- Coated originals such as carbon-backed paper
- Original that is less than basic weight 13-13/16 lb (52 g/m²) or greater than 31-15/16 lb (120 g/m²)
- Originals that are bound, for example, with staples or paper clips
- Originals that are bound in booklet form
- Originals with pages bound together with glue
- Originals with pages that have had cutouts removed or that are cutouts
- Label sheets
- Offset printing masters
- Developing paper
- Glossy original such as gloss coated paper

Loading the original into the ADF

The **ADF** feeds original sheets one by one in order from the top, and automatically loads them. It also loads a 2-sided original automatically.

The **ADF** is helpful when loading a large number of original.

- 1 Put the first page of an original at the top, and load the original into the **Document Feed Tray** with the side to be photocopied facing upward.



- Load the original so that its top side is placed at the back. When loading in a different orientation, be sure to specify the loading direction of originals.

NOTICE

*Do not load more than 50 sheets of paper at one time into **Document Feed Tray**, and do not load sheets of paper above the upper-limit indicator guide. Doing so may cause the originals to jam, damage the originals and/or **ADF** failure. However, if the original contains more than 50 pages, it can be scanned separately.*

- 2 Slide the **Document Guide** to fit the loaded original.

5.2 Loading the original onto the Original Glass

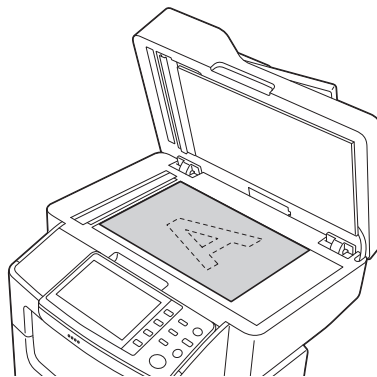
Original available on the Original Glass


Item	Specifications
Original types	Sheets, books (two-page spread), cards, three-dimensional objects
Max. original size	A4 or Legal
Original loading capacity	Max. 22-1/16 lb (10 kg)

Loading the original onto the Original Glass

Using the **Original Glass** allows you to scan an original such as a book or card, which is not available in the **ADF**.

- 1 Open the **ADF**.
- 2 Load the original into the **Original Glass** with the side to be photocopied facing downward.



- Place the top side of the original at the back, and align the original to the  mark at the left rear of the **Original Scale**. When loading in a different orientation, be sure to specify the loading direction of originals.
- When copying a highly transparent original such as transparencies or tracing paper, place a blank sheet that is the same size as the original on the original to enable clear scanning.

NOTICE

Do not place an original heavier than 10 kg on the original glass. Furthermore, do not use excessive force to press down on a book or any other form of original that must be spread on the original glass. Otherwise, the machine may be damaged or a failure may occur.

- 3 Close the **ADF**.

NOTICE

*When placing a thick book or a three-dimensional object on the original glass, you do not need to close the **ADF** to scan it. A bright light may be emitted through the **Original Glass**. Be careful not to look directly at it. Note, however, that the light coming through the original glass is not a laser beam, and will not expose the user to related hazards.*



Loading Paper

6 Loading Paper

6.1 Paper

6.1.1 Checking the available paper types

Paper type	Paper weight	Paper capacity
Plain paper Recycled paper Single Side Only ^{*1} Special Paper ^{*2} Colored Paper ^{*4} User Paper 1 ^{*5} User Paper 2 ^{*5}	15-15/16 lb to 23-15/16 lb (60 g/m ² to 90 g/m ²)	Manual Feed Tray: 100 sheets Tray 1: 550 sheets Paper Feed Unit PF-P11: 250 sheets Paper Feed Unit PF-P12: 550 sheets
Letterhead ^{*3}	15-15/16 lb to 23-15/16 lb (60 g/m ² to 90 g/m ²)	Manual Feed Tray: 100 sheets Tray 1: 550 sheets
Thick 1 User Paper 3 ^{*5}	24-3/16 lb to 31-15/16 lb (91 g/m ² to 120 g/m ²)	Manual Feed Tray: 20 sheets Tray 1: 20 sheets Paper Feed Unit PF-P11: 250 sheets Paper Feed Unit PF-P12: 550 sheets
Thick 1+ User Paper 4 ^{*5}	32-3/16 lb to 41-3/4 lb (121 g/m ² to 157 g/m ²)	Manual Feed Tray: 20 sheets
Thick 2 User Paper 5 ^{*5}	42 lb to 43-3/8 lb (158 g/m ² to 163 g/m ²)	Manual Feed Tray: 20 sheets
Postcards	-	Manual Feed Tray: 100 sheets
Envelopes	-	Manual Feed Tray: 10 sheets
Label sheets	-	Manual Feed Tray: 30 sheets Tray 1: 550 sheets Paper Feed Unit PF-P11: 250 sheets Paper Feed Unit PF-P12: 550 sheets

^{*1} Paper on which you will not print on both sides (for example, when something is already printed on the front side).

^{*2} Fine and other special paper.

^{*3} Paper where company names, preset text, and other text are already printed.

^{*4} Colored paper.

^{*5} Paper that is registered as a frequently used paper type.

NOTICE

Paper other than plain paper is referred to as special paper. When loading special paper into the paper tray, specify the correct paper type. Otherwise, it may result in a paper jam or image error.

6.1.2 Checking the available paper sizes

Paper feed port	Allowable sizes
Manual Feed Tray	A4, A5, A6, B5 (JIS), B6 Legal (8-1/2 × 14), Letter (8-1/2 × 11), SP Folio (8-1/2 × 12-11/16), Executive (7-1/4 × 10-1/2), Statement/Invoice (5-1/2 × 8-1/2) Foolscap (8 × 13), 8-1/8 × 13-1/4, Folio (8-1/4 × 13), Government Legal (8-1/2 × 13), 8-1/2 × 13-1/2, 16K, Kai 16, Kai 32 Postcard (100 mm × 148 mm), Reply postal card (148 mm × 200 mm) Photo Size 4 × 6 Envelope #10, Western-style envelope #6, Envelope DL, Western-style envelope #2, End-opening envelope #3, End-opening envelope #4 B5 (ISO), UK Quarto (8 × 10), Government letter (8 × 10-1/2) Width: 3 to 8-1/2 (76.2 mm to 216 mm), Length: 5 to 14 (127 mm to 356 mm)
Tray 1	A4, A5, A6, B5 (JIS), B6 Legal (8-1/2 × 14), Letter (8-1/2 × 11), SP Folio (8-1/2 × 12-11/16), Executive (7-1/4 × 10-1/2), Statement/Invoice (5-1/2 × 8-1/2), 16K, Kai 16, Kai 32 Foolscap (8 × 13), 8-1/8 × 13-1/4, Folio (8-1/4 × 13), Government Legal (8-1/2 × 13), 8-1/2 × 13-1/2 UK Quarto (8 × 10), Government letter (8 × 10-1/2)
Paper Feed Unit	A4, A5, B5 (JIS) Legal (8-1/2 × 14), Letter (8-1/2 × 11), Executive (7-1/4 × 10-1/2), Government legal (8-1/2 × 13)
Auto Duplex Unit	A4 Legal (8-1/2 × 14), Letter (8-1/2 × 11), SP Folio (8-1/2 × 12-11/16) Folio (8-1/4 × 13), Government legal (8-1/2 × 13), 8-1/2 × 13-1/2 Width: 8-1/4 to 8-1/2 (209.6 mm to 215.9 mm), Length: 11 to 14 (279.4 mm to 356 mm)

Tips

- For all paper sizes, the area excluding 3/16 inches (4 mm) from the paper edge is set as a printable area. When configuring a user setting of the page size using the application, specify the paper size within the printable area so that the optimal result is obtained.
- On an envelope, it is only possible to print on the front (address) side. Also, the result of printing on the seal overlapping part on the front side cannot be assured. The area that cannot be assured varies depending on envelope types.
- The page margin setting is determined depending on your application. If the default paper size or margin is selected, there may be some part of the paper that is not able to be printed on. To obtain the optimal result, configure the custom setting so that an image is included in the printable area of this machine.

6.1.3 Precautions for correct operations

Unavailable paper

Do not load the following types of paper into the tray. Not observing these precautions may lead to reduced print quality, a paper jam, or machine damage.

- Paper that has been printed on using a heat-transfer printer or an inkjet printer
- Folded, curled, wrinkled, or torn paper
- Paper that has been left unwrapped for a long period of time
- Paper that is damp, perforated, or that has been hole punched
- Extremely smooth or extremely rough paper, or paper with an uneven surface
- Treated paper such as carbon-backed paper, thermal paper, pressure-sensitive paper, or iron-on transfer paper
- Paper that has been decorated with foil or embossing
- Paper of a non-standard shape (paper that is not rectangular)
- Paper that is bound with glue, staples or paper clips
- Paper with labels attached
- Paper with ribbons, hooks, buttons, etc., attached
- Paper with different paper quality (roughness) on the front and back sides
- Paper that is too thin or too thick
- Paper containing static electricity
- Acidic paper
- Other types of unavailable paper

Storing paper

To store paper, be sure to note the following points.

- Store paper on an even, horizontal surface, and do not take the paper out of its packaging until it is loaded into a tray. If paper is left for a long period of time outside its package, it may cause a paper jam.
- When not using paper that has been taken out of its package once, return it to the original package and store it in a horizontal, cool, dark place.
- Do not store paper in locations or in environments that are:
 - Too humid
 - Exposed to direct sunlight
 - Subject to high temperatures (95°F (35°C) or more)
 - Too dusty
- Do not set paper against the other or store it vertically.

Tips

When purchasing a large quantity of paper or special paper, carry out a trial print to check the printing quality in advance.

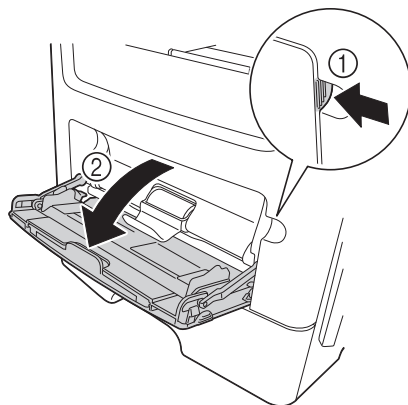
6.2 Loading paper into the Manual Feed Tray

How to load paper into the Manual Feed Tray

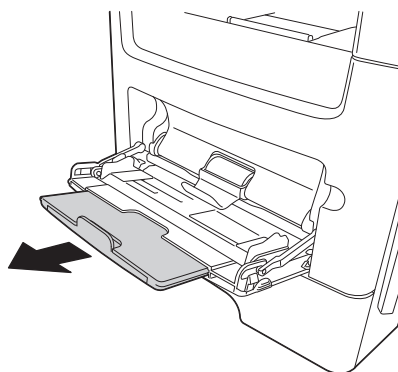
When selecting a paper size other than for paper trays, use the **Manual Feed Tray**.

To use the **Manual Feed Tray**, load paper and specify the paper type.

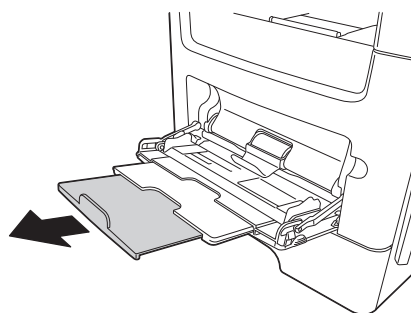
- 1 Open the **Manual Feed Tray**.



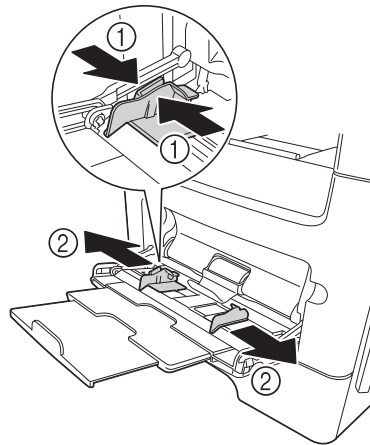
- 2 Pull out the extension guide of the **Manual Feed Tray**.



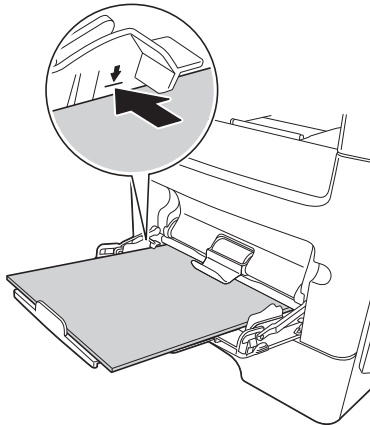
- 3 Fully pull out the extension guide of the **Manual Feed Tray**.



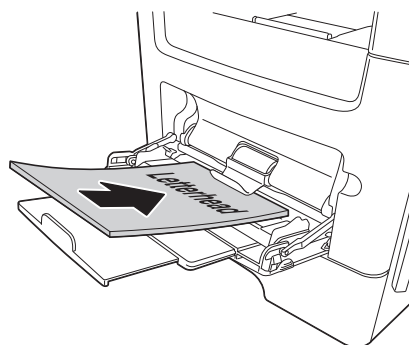
- 4 Hold the paper guide tab located at the left end, then move the paper guide to match the width of the paper to be loaded.



- 5 With the side to be printed on facing up, insert the paper as far as possible into the feed slot.
→ If paper is curled, flatten it before loading.



- For letterhead, load paper first from the top edge with the letterhead side facing up. For 2-sided printing, load paper first from the bottom edge with the letterhead side facing down.



NOTICE

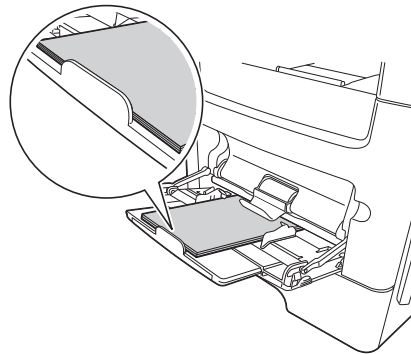
Load paper within the guide indicating the upper limit.

- 6 Align the paper guide to the paper size.
- 7 Change the paper type and paper size on the **Control Panel**. When loading custom sized paper, also specify the paper size.
→ To configure settings: [Utility] - [User Settings] - [Printer Settings] - [Paper Setting] - [Paper Tray] - [Manual Feed]

Loading postcards

Up to 100 postcards can be loaded into the tray at one time.

- 1 With the side to be printed on facing up, insert postcards as far as possible into the feed slot.
→ Load postcards so that the extension guide of the **Manual Feed Tray** slightly fixes the paper edge.



- 2 Align the paper guide to the paper size.
- 3 Change the paper type and paper size on the **Control Panel**.
→ To configure settings: [Utility] - [User Settings] - [Printer Settings] - [Paper Setting] - [Paper Tray] - [Manual Feed]



Reference

When printing data stored on a computer onto a postcard, use the [Basic] tab of the printer driver to configure settings. For details, refer to [User's Guide Print].

Loading envelopes

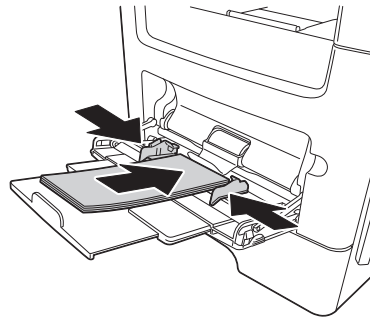
Up to 10 envelopes can be loaded into the tray at a time.

NOTICE

Before loading, remove air from the envelope(s), and securely press along the flap fold line. Otherwise, it will result in wrinkles or a paper jam.

Do not use an envelope with a stamp, staple, or metal, or a window envelope, glazed envelope, or adhesive envelope. Using such envelopes may cause serious damage to this product.

- 1 Load envelopes so that flap parts are set on the lower left.



- 2 Align the paper guide to the paper size.

- 3 Change the paper type and paper size on the **Control Panel**.

→ To configure settings: [Utility] - [User Settings] - [Printer Settings] - [Paper Setting] - [Paper Tray] - [Manual Feed]

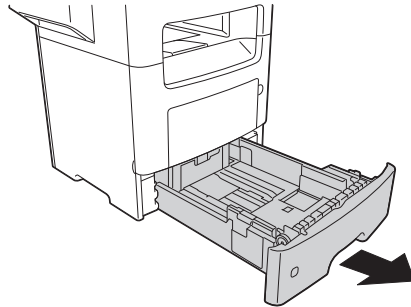
6.3 Loading paper into Tray 1/2/3/4

NOTICE

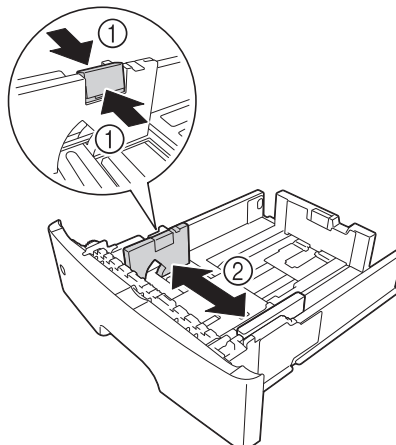
Individually feed paper into each tray to maintain balance of this machine. While loading paper into one tray, close all other trays.

- ✓ This section describes how to load paper into **Tray 1**. The method for loading paper into **Tray 2/3/4** is the same as for **Tray 1**.
- ✓ **Tray 2/3/4** is available when the optional **Paper Feed Unit** is installed.

- 1 Fully pull out **Tray**.

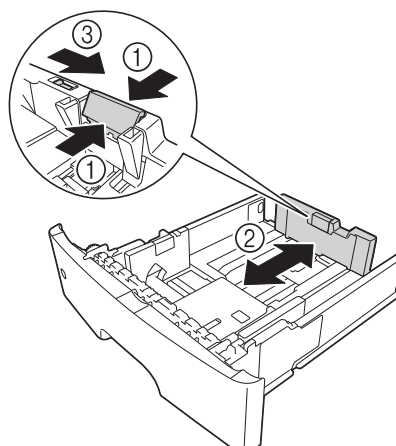


- 2 Hold the crosswise paper guide tab, then move the paper guide to match the size of the paper to be loaded.

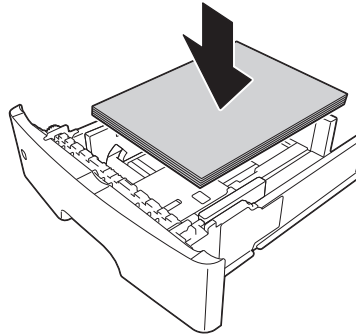


- 3 Hold the lengthwise paper guide tab, then move the paper guide to match the size of the paper to be loaded.

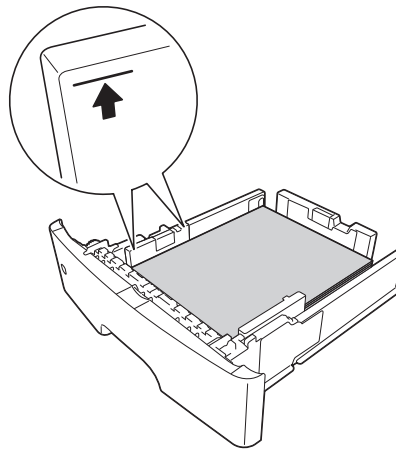
→ After moving the paper guide, slide the lock tab (3) to lock the paper guide. You can use the lock/unlock mark to check whether or not the paper guide is locked.



- 4 Load paper into the tray with the print side facing down.
 - If paper is curled, flatten it before loading.
 - To load long paper such as A4, letter size, or legal size, hold the lengthwise paper guide tab, then slide the paper guide backward to match the paper length.
 - If legal-size paper is loaded, the lengthwise paper guide tab is beyond the length of the tray base, and it may cause paper to become dusty. To protect paper against dust, purchase and mount a dust cover. For details, contact your service representative.
 - To load A6 paper, hold the lengthwise paper guide tab and slide it up to the A6-size position in the center of the tray.
 - For details on how to load letterheads , refer to page 6-12.
 - Check that the crosswise and lengthwise paper guides match the paper size indicators on the bottom of the tray.

**NOTICE**

Do not load paper above the upper-limit indicator mark.

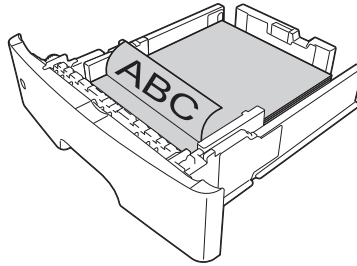


- 5 Align the paper guide to the paper size.
- 6 Close the **Tray**.
- 7 Change the paper type and paper size on the **Control Panel**.
 - To configure settings: [Utility] - [User Settings] - [Printer Settings] - [Paper Setting] - [Paper Tray] - [Tray 1], [Tray 2], [Tray 3], or [Tray 4]
 - The paper size of [Tray 2], [Tray 3], and [Tray 4] can be set automatically.

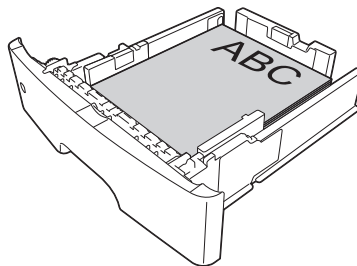
Loading letterheads

The method for loading letterheads varies depending on whether or not the optional **Finisher** is installed or 2-sided printing is performed.

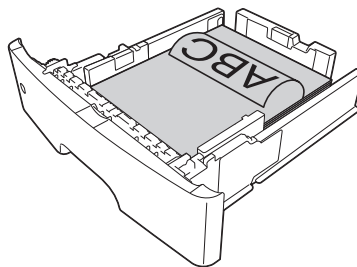
When the **Finisher** is not installed (for 1-sided printing)



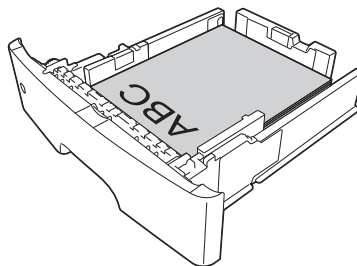
When the **Finisher** is not installed (for 2-sided printing)



When the **Finisher** is installed (for 1-sided printing)



When the **Finisher** is installed (for 2-sided printing)

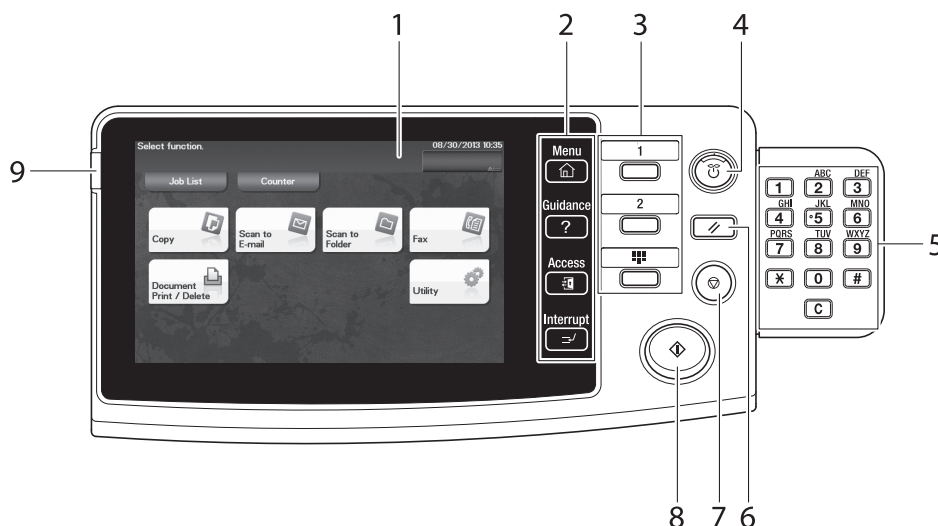




Control Panel

7 Control Panel


7.1 Names and functions of Control Panel keys



Tips

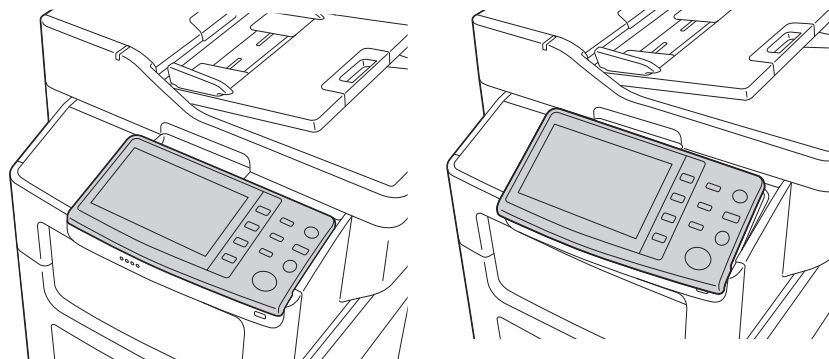
This figure shows the Control Panel with an optional **Keypad** installed.

No.	Name	Description
1	Touch Panel	Displays setting screens and messages. Directly press this panel to carry out operations.
2	[Menu]	Tap this key to display the Main Menu. The [Menu] lights up in blue when the Main Menu is displayed. For details on the Main Menu, refer to page 7-9.
	[Guidance]	Tap this key to display the help screen. The [Guidance] lights up in blue when the Help Menu is displayed. This function displays the explanation and operation procedure of a function on the Touch Panel , enabling you to view them.
	[Access]	Tap this key to perform authentication on the Login screen if user authentication or account track is installed on this machine. Tap [Access] under the login condition to log out. For details, refer to page 9-3.
	[Interrupt]	Tap this key to interrupt active jobs on this machine and deal with a quick copy job. [Interrupt] lights up in blue during interrupt processing. For details, refer to [User's Guide Copy].
3	Register Key 1 to Register Key 3	Press each key to switch the display of the Touch Panel to a function assigned to a Register key. <ul style="list-style-type: none"> The default function assigned to the Register key varies depending on the region the machine is used in. A function to be assigned to a Register key can be changed to suit your environment. For details, refer to page 7-12.
4	Power key	Press this key to switch this machine to Power Save mode. For details, refer to page 4-5.
5	Keypad	Use this keypad to enter numeric values such as the number of copies or zoom ratio. This keypad is also used to select a numbered setting key.
	C (Clear)	All the numeric values (number of copies, magnification, size, etc), which have been entered by keypad, are canceled.

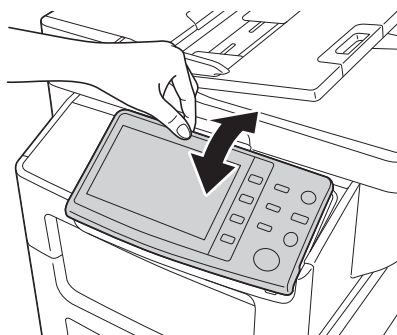
No.	Name	Description
6	Reset	Press this key to reset the settings you entered or changed on the Control Panel .
7	Stop	Press this key to temporarily stop an active copy, scan, or print job. To restart, press the Start key.
8	Start	Press this key to start an operation such as copying, scanning, faxing, or printing. <ul data-bbox="683 394 1390 450" style="list-style-type: none">• Lights up blue: This machine is ready to start operating.• Lights up orange: This machine is not ready to start operating. <p data-bbox="683 465 772 495"> Note</p> <p data-bbox="683 495 1422 546">If this indicator lamp lights up orange, check whether any warning or message is displayed on the Touch Panel.</p>
9	Warning Indicator	Indicates the status of this machine by the lamp color, flashing, or a lamp lighting up. <ul data-bbox="683 613 1203 669" style="list-style-type: none">• Flash in orange: Warning• Lights up orange: The machine has stopped.

7.2 Changing the angle of the Control Panel

The **Control Panel** can be adjusted within the range shown below. Adjust the panel to an easy-to-use angle.



To adjust the angle of the **Control Panel**, tilt the **Control Panel** up and down.



NOTICE

When a USB memory device is installed, do not change the angle of the **Control Panel**. Contact with the **Control Panel** or damage to a USB memory device may result depending on the size or shape of the USB memory device.

Tips

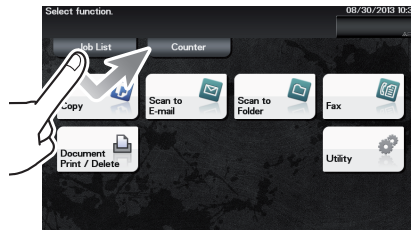
If the optional **Keypad** is installed, you cannot change the angle of the **Control Panel**.

7.3 Touch Panel

7.3.1 Operating the Touch Panel

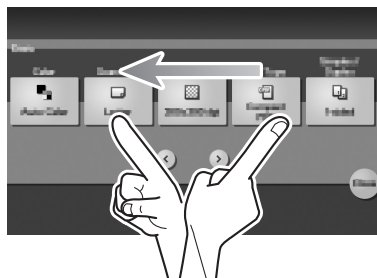
Tap

Lightly touch the screen with your finger, then take your finger off the screen immediately. This action is available when selecting or determining a menu.



Flick

Make a slight flip while sliding your finger on the screen.



7.3.2 Displaying the Keypad

Tap a number or input area on the screen to display the **Keypad**.

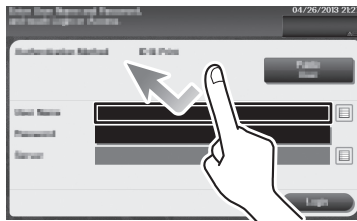
Used to enter numerals.



7.3.3 Switching the entry or selection screen

Tap a target input area or icon to switch to the entry or selection screen.

Used to switch to the Select screen to enter text or select a registered item.



Reference

For details about the icon types, refer to page 7-11.

7.3.4 Precautions on using the Touch Panel

This machine features a capacitance-base touch panel. Note the following points when operating the **Touch Panel**.

- Use your finger or the **Stylus Pen**. Note that the **Touch Panel** will not respond appropriately if you operate it using your nail or a pen tip instead of your finger or the **Stylus Pen**.
- Applying a strong force to the **Touch Panel** will damage the **Touch Panel**, and potentially cause a breakage.
- When operating the **Touch Panel**, do not press on it using excessive force or with a pointed object such as a mechanical pencil.
- Be careful not to operate **Touch Panel** with wet fingers. It may cause **Touch Panel** to operate in unexpected ways.
- If you operate the **Touch Panel** with a gloved finger, the **Touch Panel** will not respond normally. You should operate it with a bare finger or using the **Stylus Pen**.
- Note that the **Touch Panel** may not respond normally if the distance between the user and fluorescent light is 19-11/16 inches (500 mm) or less when you operate the **Touch Panel**.
- You must not use the Touch Panel beside equipment that generates electrical noises such as an electric generator or air conditioner. Otherwise a malfunction may be caused by an influence of electrical noises.

7.4 Entering characters

When entering characters to register an address or program, use the keyboard screen displayed on the Touch Panel.



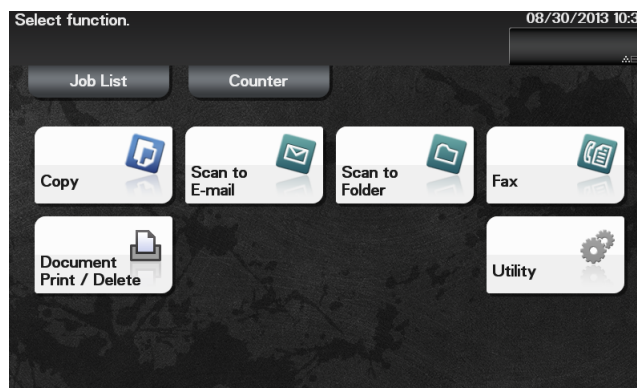
Item	Description
Keyboard	Tap the keys of characters you want to enter.
[C]	Tap this key to delete a character or value you entered.
[←]/[→]	Tap this key to move the cursor.
[x]	Tap this key to delete characters you entered one by one.
[Cancel]	Text entry is interrupted and the page returns to the previous screen. The character or value you entered is deleted.
[OK]	Define the entered character or numeric values.

7.5 Screen layout

7.5.1 Main Menu

Tap [Menu] on the **Control Panel** to display the Main Menu.

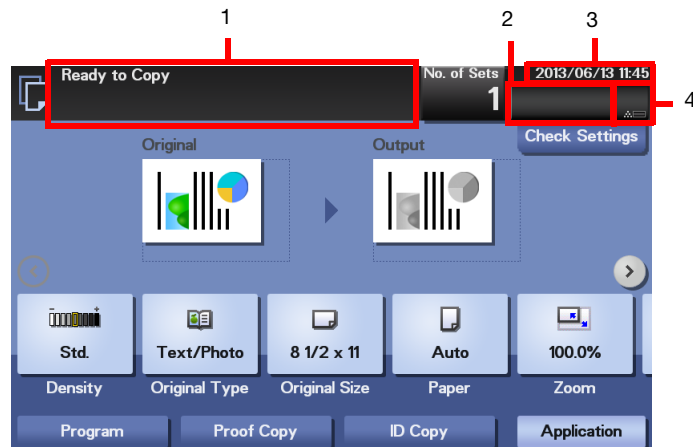
The Main Menu is a basic screen to perform operations of this machine. Switch from the Main Menu to each function mode.



Item	Description
[Job List]	Tap this button to check active jobs or job logs.
[Counter]	Tap this button to display the total number of pages printed on this machine on a function basis.
[Copy]	Tap this button to display the main screen in copy mode.
[Scan to E-mail]	Tap this button to display the main screen in Scan to E-mail mode.
[Scan to Folder]	Tap this button to display the main screen in Scan to Folder mode.
[Fax]	Tap this button to display the main screen in Fax mode.
[Document Print/Delete]	Tap this button to operate files on the HDD of this machine or on the USB memory device connected to this machine.
[Utility]	Tap this button to configure settings of this machine, register destinations, and check the status of consumables.
[APP]	Displayed when an application that is supported by OpenAPI is registered on this machine.

7.5.2 Main screen

This example shows the screen layout for the main screen of the copy mode.














No.	Name	Description
1	Message display area	Displays a message to show the status of this machine and operation procedures.
2	Icon display area	Displays an icon that indicates information such as the job status, warning, or USB memory connection status. Tapping the icon allows you to view the details. For details on the icons that indicate the status of this machine, refer to page 7-11.
3	Date and time display area	Displays the current date and time.
4	Toner level indicator area	Indicates the toner level.

7.5.3 Icon types


Icons indicating the status of this machine

Icons indicating the status of this machine may appear in the icon display area. The types of icons to be displayed are as follows.

Icon	Description
	Indicates that a warning has occurred on this machine. Tapping an icon displays a warning screen.
	Indicates that a copy job is active.
	Indicates that a scan/fax job is currently loaded.
	Indicates that there is a printing job such as a copy job, print job, Fax RX Print, or report printing.
	Indicates that the G3 fax line is busy.
	Indicates that there is a document with Timer Send specified.
	Indicates that there is a document to be received by fax such as Memory RX or PC-Fax RX.
	Indicates that data is being sent from the machine, regardless of the current mode.
	Indicates that the machine is receiving data, regardless of the current mode.
	Indicates that enhanced security mode is enabled.
	Indicates that a USB memory device is connected to this machine.

Icons to change to selection screen

When you select a registered item while operating this machine, the following icons may be displayed. Tap a target icon to change to the screen on which you want to select a registered item.

Icon	Description
	Displays a list of registered items. This icon is referred to as a "list icon" in the manual.

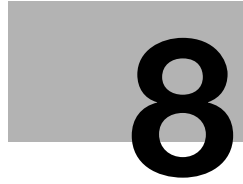
7.6 Changing the function assigned to a Register key (for administrators)

Select a function to be assigned to a **Register** key on the **Control Panel** to suit your requirements. It will be useful to assign frequently-used functions to Register keys.

This example explains how to change a function to be assigned to **1**.

- 1 Tap [Utility] - [Administrator Settings] - [System Settings] - [Registered Key Settings] - [Register Key 1] - [Basic Functions].
- 2 Select a function to be assigned to **1**, then tap [OK].
 - You cannot select a function assigned to other **Register** key.

Settings	Description
[Copy]	Tap this button to display the main screen in copy mode.
[Fax]	Tap this button to display the main screen in Fax mode.
[Scan to E-mail]	Tap this button to display the main screen in Scan to E-mail mode.
[Scan to Folder]	Tap this button to display the main screen in Scan to Folder mode.
[Utility]	Tap this button to display the [Utility] screen.
[keypad]	Tap this button to display the Touch Panel on the Keypad when entering numeric values such as the number of copies or zoom ratio.
[Menu]	Tap this button to display the Main Menu.
[Access]	When user authentication and account authentication have been installed, perform the authentication on the login screen. Tapping this button while logged in enables you to log off this machine.



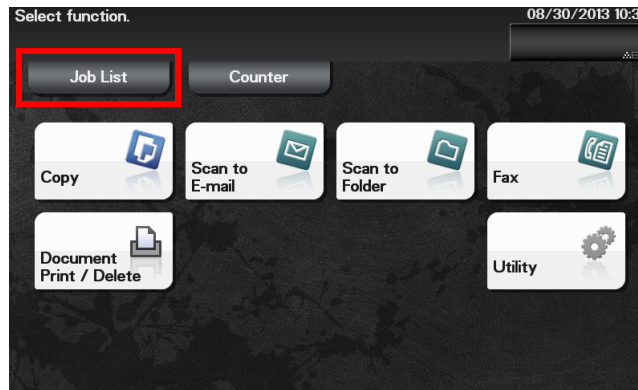
Viewing Active Job and Job Logs

8 Viewing Active Job and Job Logs

Displaying the Job List screen

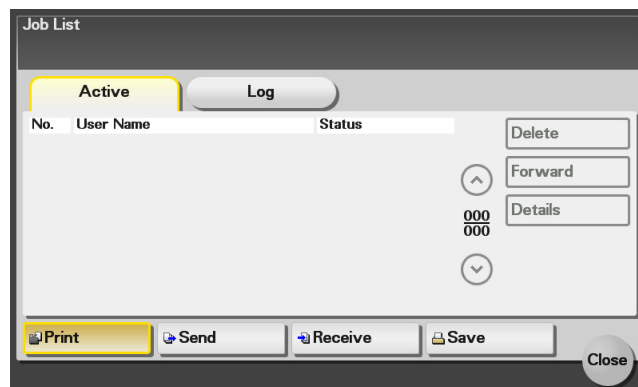
A job refers to an individual operation unit such as printing, sending, receiving, or saving.

If you tap [Job List] on the Main Menu, you can view the active job and job logs.



Viewing the active job

Tap [Active] to display current or standby jobs on this machine. If necessary, you can perform job operations such as deleting a standby job.



Item	Description
[Print]	Tap this button to display a list of active or standby print jobs.
[Send]	Tap this button to display a list of active or standby send jobs.
[Receive]	Tap this button to display a list of active or standby fax receive jobs.
[Save]	Tap this button to display a list of active or standby save jobs.
[Delete]	Tap this button to delete a job selected in the list.
[Forward]	Tap this button to forward a fax received by the in-memory proxy reception function to another destination. The forward destination can be specified using Address Book or Direct Input. For details on the in-memory proxy reception function, refer to [User's Guide Fax].

Related setting (for the administrator)

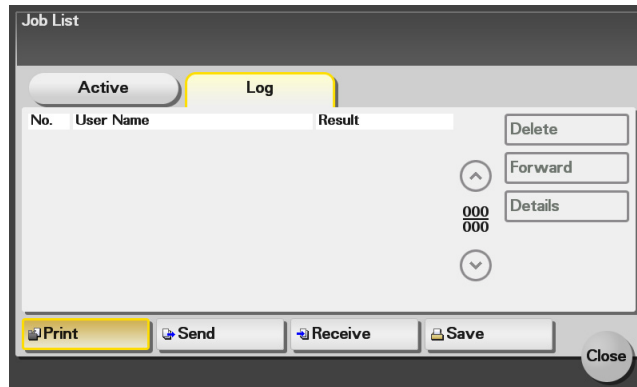
- On the [Job List] screen, you can select whether or not to hide personal information such as destinations or job names.

To configure settings: [Utility] - [Administrator Settings] - [Security Settings] - [Security Details] - [Hide Personal Data] (Default: [OFF])

- You can select whether or not to permit a deletion of other user's job.
To configure settings: [Utility] - [Administrator Settings] - [System Settings] - [Restrict User Access] - [Restrict Access to Job Settings] - [Delete Other User Jobs] (Default: [Restrict])

Viewing job logs

Tap [Log] to display a list of jobs processed on this machine up till then. You can check a job that could not be ended due to an error.



Item	Description
[Print]	Tap this button to display a list of completed or deleted print jobs.
[Send]	Tap this button to display a list of completed or deleted send jobs.
[Receive]	Tap this button to display a list of completed or deleted fax receive jobs.
[Save]	Tap this button to display a list of completed or deleted save jobs.
[Details]	Tap this button to view detailed information of a job selected in the list.

Related setting (for the administrator)

On the [Job List] screen, you can select whether or not to hide personal information such as destinations or job names.

To configure settings: [Utility] - [Administrator Settings] - [Security Settings] - [Security Details] - [Hide Personal Data] (Default: [OFF])



Login Screen

9 Login Screen

Logging in to this machine

If user authentication or account track is installed on this machine, the Login screen appears on the **Touch Panel**.

Enter the user or account track name and the password on the Login screen, then tap [Login] or [Access] to perform authentication. After the target operation was completed, tap [Access] to log out.



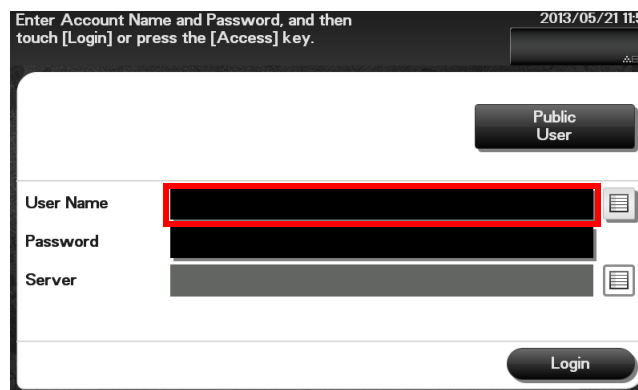
Performing user authentication (MFP authentication)

Enter the user name and the password, and perform user authentication.

✓ For details on how to configure user authentication settings, refer to [User's Guide Applied Functions].

1 Tap the [User Name] entry field.

→ If Public User Access (unregistered users) is enabled, tap [Public User] to log in to this machine.



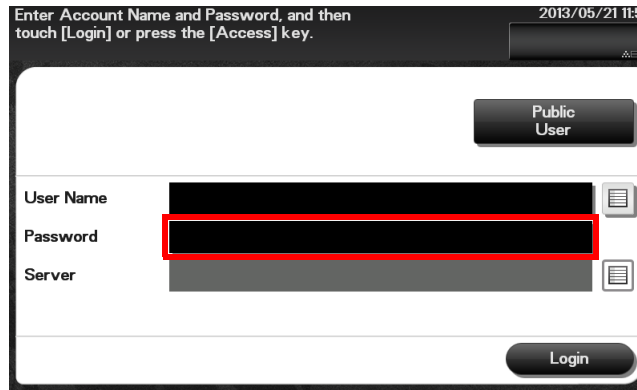
→ If necessary, you can select whether or not to display the list icon that recalls the user name list on the login screen.

To configure settings: [Utility] - [Administrator Settings] - [User Authentication/Account Track] - [User Name List] (Default: [OFF])

→ Tapping the list icon that recalls the user name list displays a list of user names and enables you to select a login user.

2 Enter the user name, then tap [OK].

- 3 Tap the [Password] entry area.



- 4 Enter the password, then tap [OK].
- 5 Tap [Login] or [Access] to log in to this machine.
 - If user authentication and account track are installed without being synchronized, account track is required after this. For details, refer to page 9-7.
 - If user authentication and account track are synchronized, account track is not required. If authentication succeeds, you can log in to this machine.
- 6 After the target operation was completed, tap [Access] to log out.
 - If you do not operate this machine for a certain period of time during login (default: one min.), you will be automatically logged out.
- 7 When a message has appeared to check whether you want to log out, tap [OK].
 - If necessary, you can select whether or not to display the logout confirmation screen. To configure settings: [Utility] - [Administrator Settings] - [User Authentication/Account Track] - [Logout Confirmation Screen Display Setting] (Default: [ON])

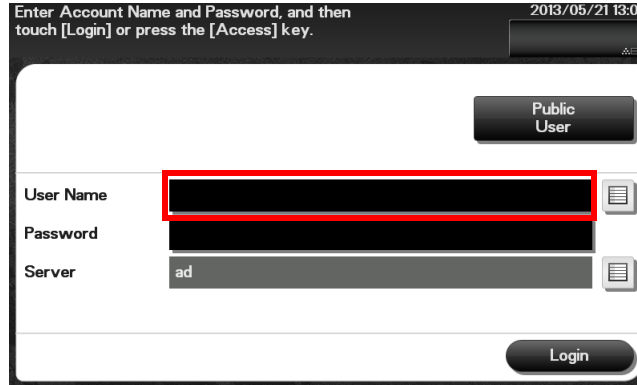
Performing user authentication (external server authentication)

Enter the user name and the password, and select a server to be authenticated.

✓ For details on how to configure user authentication settings, refer to [User's Guide Applied Functions].

1 Tap the [User Name] entry field.

→ If Public User Access (unregistered users) is enabled, tap [Public User] to log in to this machine.



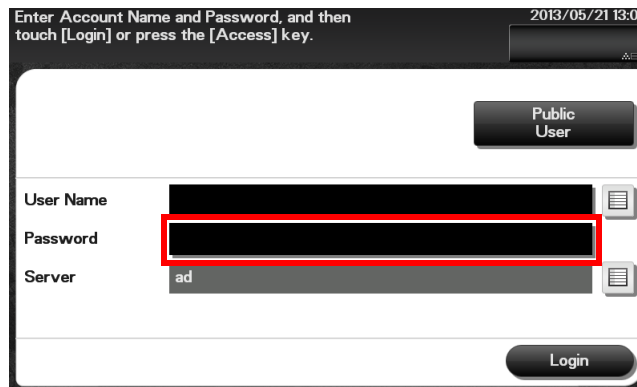
→ If necessary, you can select whether or not to display the list icon that recalls the user name list on the login screen.

To configure settings: [Utility] - [Administrator Settings] - [User Authentication/Account Track] - [User Name List] (Default: [OFF])

→ Tapping the list icon that recalls the user name list displays a list of user names and enables you to select a login user.

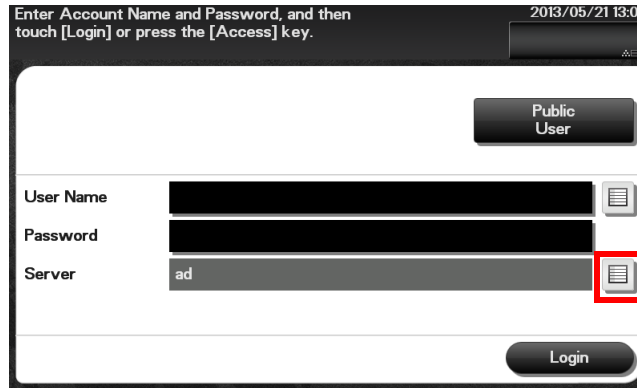
2 Enter the user name, then tap [OK].

3 Tap the [Password] entry area.



4 Enter the password, then tap [OK].

- 5 When using multiple authentication servers, tap the list icon for [Server], then select a server to be authenticated.
- By default, the default authentication server is selected. When using the default authentication server, proceed to Step 6.



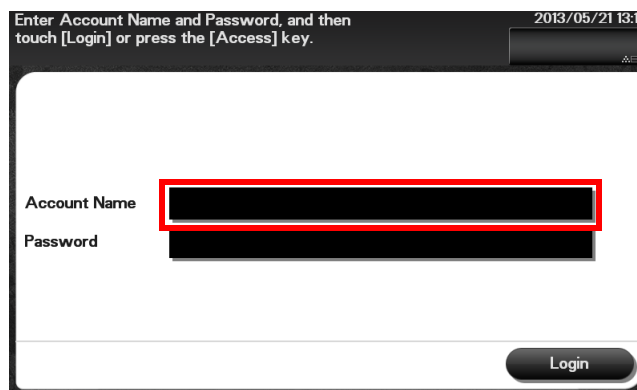
- 6 Tap [Login] or [Access] to log in to this machine.
- If user authentication and account track are installed without being synchronized, account track is required after this. For details, refer to page 9-7.
 - If user authentication and account track are synchronized, account track is not required.
- If authentication succeeds, you can log in to this machine.
- 7 After the target operation was completed, tap [Access] to log out.
- If you do not operate this machine for a certain period of time during login (default: one min.), you will be automatically logged out.
- 8 When a message has appeared to check whether you want to log out, tap [OK].
- If necessary, you can select whether or not to display the logout confirmation screen.
To configure settings: [Utility] - [Administrator Settings] - [User Authentication/Account Track] - [Logout Confirmation Screen Display Setting] (Default: [ON])

Performing account track

Enter the account name and the password to perform account track.

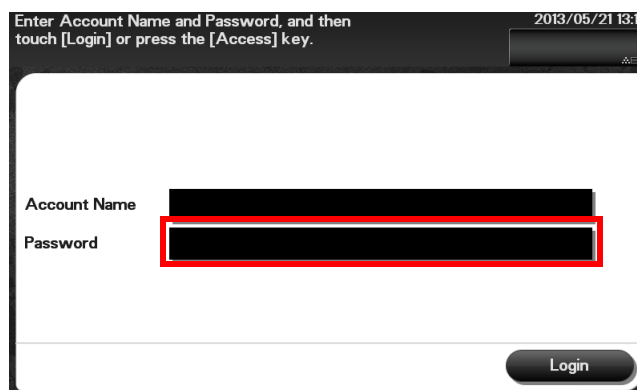
- ✓ For details on how to configure account track settings, refer to [User's Guide Applied Functions].
- ✓ If user authentication and account track are installed without being synchronized, perform user authentication first. To perform MFP authentication, refer to page 9-3. To perform external server authentication, refer to page 9-5.
- ✓ If user authentication and account track are synchronized, account track is not required.

- 1 Tap the [Account Name] entry field.



- 2 Enter the account name, then tap [OK].

- 3 Tap the [Password] entry area.



- 4 Enter the password, then tap [OK].

- 5 Tap [Login] or [Access] to log in to this machine.

If authentication succeeds, you can log in to this machine.

- 6 After the target operation was completed, tap [Access] to log out.

→ If you do not operate this machine for a certain period of time during login (default: one min.), you will be automatically logged out.

- 7 When a message has appeared to check whether you want to log out, tap [OK].

→ If necessary, you can select whether or not to display the logout confirmation screen.
To configure settings: [Utility] - [Administrator Settings] - [User Authentication/Account Track] - [Logout Confirmation Screen Display Setting] (Default: [ON])

10 Specifications

10 Specifications

10.1 Checking the specifications of this machine

Item	Description	
Name	bizhub 4750 bizhub 4050	
Type	Scanner, reverse automatic document feeder, desktop type printer	
Scanning resolution	600 dpi × 600 dpi	
Writing resolution	600 dpi × 600 dpi (Standard mode) 1200 dpi × 1200 dpi (High quality mode)	
Memory size	2 GB	
HDD	320 GB	
Originals	Sheets, books, objects (Max. weight limit: 22-1/16 lb (10 kg))	
Max. original size	A4 or Legal	
Output size	Paper size	Main unit: Width: 4-1/8 to 8-1/2 (105 mm to 215.9 mm), Length: 5-13/16 to 14 (148 mm to 355.6 mm) Manual Feed Tray: Width: 3 to 8-1/2 (76.2 mm to 215.9 mm), Length: 5 to 14 (127 mm to 355.6 mm)
	Image chipping width	Leading edge or trailing edge: 3/16 inches (4 mm) or less, Left or right: 3/16 inches (4 mm) or less
Warm-up time (73.4°F (23°C), std. voltage)	Time period from when the Power Switch is turned on to when this machine is ready for printing bizhub 4750: 77 sec. or less bizhub 4050: 77 sec. or less	
First copy time	bizhub 4750: 8.5 sec. or less bizhub 4050: 8.5 sec. or less	
Copy speed	bizhub 4750: 47 sheets/min. (A4, plain paper), 50 sheets/min. (Letter (8-1/2 × 11), plain paper) bizhub 4050: 40 sheets/min. (A4, plain paper), 42 sheets/min. (Letter (8-1/2 × 11), plain paper)	
Paper handling/paper capacity	Paper tray, 1 level (universal cassette: 550 sheets) Manual Feed Tray 100 sheets	
Paper weight	Main unit: 15-15/16 lb to 31-15/16 lb (60 g/m ² to 120 g/m ²) Manual Feed Tray: 15-15/16 lb to 43-3/8 lb (60 g/m ² to 163 g/m ²)	
Auto duplex	Paper size	Width: 8-1/4 to 8-1/2 (209.6 mm to 215.9 mm), Length: 11 to 14 (279.4 mm to 356 mm)
	Paper weight	15-15/16 lb to 55-7/8 lb (60 g/m ² to 210 g/m ²)
Stacking capacity	250 sheets (Plain paper)	
Power supply	bizhub 4750/4050: AC 110-127 V, 8.2 A, 50/60 Hz AC 220-240 V, 4.2 A, 50/60 Hz	
Max. power consumption	bizhub 4750: 120 V: 990 W 230 V: 972 W bizhub 4050: 110 V: 974 W 120 V: 930 W 230 V: 926 W	

Item	Description
Dimensions ([W] × [D] × [H])	19-1/4 inches (489 mm) × 18-7/8 inches (479 mm) × 22-1/6 inches (561 mm) (Main unit + ADF)
Space Requirements ([W] × [D] × [H])	23-7/16 inches (595 mm) × 31-1/4 inches (793 mm) × 34 inches (864 mm) (with the ADF and the Manual Feed Tray opened)
Weight	bizhub 4750: Approx. 52-15/16 lb (24 kg (including consumables)) bizhub 4050: Approx. 52-15/16 lb (24 kg (including consumables))

10.2 Checking the specifications of optional devices

Paper Feed Unit PF-P11

Item	Specifications
Model number	PF-P11
Paper type	Plain paper, recycled paper, 1-sided special paper, special paper, colored paper, Thick 1, label sheets (15-15/16 lb to 23-15/16 lb (60 g/m ² to 90 g/m ²))
Paper size	A4, A5, B5 (JIS) Legal (8-1/2 × 14), Letter (8-1/2 × 11), Executive (7-1/4 × 10-1/2), Government legal (8-1/2 × 13)
Paper capacity	250 sheets
Power supply	Supply from machine
Dimensions [W] × [D] × [H]	16-7/8 inches (428 mm) × 18-7/16 inches (468 mm) × 3-1/16 inches (77 mm)
Weight	Approx. 9-1/4 lb (4.2 kg)

Paper Feed Unit PF-P12

Item	Specifications
Model number	PF-P12
Paper type	Plain paper, recycled paper, 1-sided special paper, special paper, colored paper, Thick 1, label sheets (15-15/16 lb to 23-15/16 lb (60 g/m ² to 90 g/m ²))
Paper size	A4, A5, B5 (JIS) Legal (8-1/2 × 14), Letter (8-1/2 × 11), Executive (7-1/4 × 10-1/2), Government legal (8-1/2 × 13)
Paper capacity	550 sheets
Power supply	Supply from machine
Dimensions [W] × [D] × [H]	16-7/8 inches (428 mm) × 18-7/16 inches (468 mm) × 4-5/16 inches (109 mm)
Weight	Approx. 10-3/8 lb (4.7 kg)

Fax Kit FK-512

Item	Specifications
Model number	FK-512
Communication	Super G3
Compatible lines	Public switch telephone network (including fax communication line) PBX lines
Line density	Ultra Fine: 600 dpi × 600 dpi Super Fine: 16 dot/mm × 15.4 line/mm, 400 dpi × 400 dpi Fine: 8 dot/mm × 7.7 line/mm, 200 dpi × 200 dpi Normal: 8 dot/mm × 3.85 line/mm Faxes are transmitted at any of the above scanning line densities according to the capabilities of a recipient's machine.
Modem speed	2400/4800/7200/9600/12000/14400/16800/19200/ 21600/24000/26400/28800/31200/33600 bps
Compression	JBIG, MMR, MR, MH
Sending paper size	Max. A4 or legal Long original: 8-1/2 inches × 39-3/8 inches (216 mm × 1000 mm) (in use of ADF)
Recording paper size	Max. A4 or legal
Transmission speed	Approx. 3 sec. * Time when sending an our standard A4 original including 700 characters with the normal image quality (8 dot/mm × 3.85 line/mm) in super G3 mode (ITU-T V.34 base 33.6 kbps or more) with JBIG.
Number of abbr. dials	2000
Number of program dials	400
Number of group dials	100
Sequential multiple station transmission	Max. 500

Finisher FS-P02

Item	Specifications
Model number	FS-P02
Staple capacity	20 sheets (19-15/16 lb (75 g/m ²))
Types of staple modes	1 corner
Paper type	Plain paper, recycled paper, 1-sided special paper, special paper, colored paper, letterheads, user paper 1, user paper 2
Paper size	A4, Legal (8-1/2 × 14), Letter (8-1/2 × 11), Government legal (8-1/2 × 13), 8-1/2 × 13-1/2
Power supply	Input: AC 100 - 240 V, 50/60 Hz, 12.0 - 6.0 A (including the main unit) Output: AC 100 - 240 V, 50/60 Hz, 12.0 - 5.3 A (power for the main unit)
Consumables	Staple: Staple Kit SK-501
Dimensions [W] × [D] × [H]	16-1/8 inches (410 mm) × 14-9/16 inches (370 mm) × 7-11/16 inches (195 mm) (The depth includes the part inserted into the paper output section of the main unit.)
Weight	Approx. 11-11/16 lb (5.3 kg)

Authentication Unit AU-201

Item	Specifications	
Name	Card Authentication Unit AU-201	
Dimensions [W] × [D] × [H]	3-5/8 inches (92 mm) × 2-1/2 inches (64 mm) × 5/8 inches (16 mm)	
Weight	Approx. 1/4 lb (0.1 kg)	
Power supply	Power feeding from USB port	
System conditions (operating state)	Ambient temperature	32°F to 104°F (0°C to 40°C)
	Humidity	20% to 85% (No condensation)
System conditions (non-operating state)	Ambient temperature	-4°F to 122°F (-20°C to 50°C)
	Humidity	20% to 85% (No condensation)
Radio law division	Self-guided read-write communication facility	
Applicable card	FeliCa (IDm), SSFC, FCF, FCF (campus), MIFARE (UID)	
Acquired standard	VCCI class B	
Compatible computer	Computer	PC-AT compatible machine
	CPU	Conforms to the recommended operating environment of your operating system.
	Memory (RAM)	Conforms to the recommended operating environment of your operating system.
	Free space on hard disk	600 MB or more
	Monitor	800 × 600 pixels or more
	Network	Must be configured with the correct TCP/IP or IPX/SPX protocol settings.
	Application	Microsoft Internet Explorer 6.0 (SP1) or later Windows XP: Microsoft .NET Framework 2.0 (SP2 or later) Windows Vista/8: Microsoft .NET Framework 3.5 (SP1 or later) Windows 7 is equipped with .NET Framework required to operate Data Administrator as the standard.
	Interface	Conforms to USB 1.1.
	Supported operating systems	For the supported operating systems, refer to Re-adme.

10.3 Standard operating life of consumables and periodic replacement parts

Item	Standard average operating life
Toner Cartridge	Toner Cartridge supplied with the product: Approx. 7,500 pages Toner Cartridge for replacement: Approx. 20,000 pages
Imaging Unit	Approx. 60,000 pages

 **Tips**

The above indicates a numeric value for 1-sided printing with A4- or letter-size paper. The actual operating life varies (decreases) depending on printing conditions (printing ratio, paper size, etc.), printing method such as the continuous printing (a print job of four pages on average is optimal for consumables) or the intermittent printing (when a print job of one page is executed multiple times), and the paper type such as thick paper printing. It is also affected by the ambient temperature and humidity.

11

Trademarks and copyrights

11 Trademarks and copyrights

Trademark acknowledgements

KONICA MINOLTA, the KONICA MINOLTA logo, Giving Shape to Ideas, PageScope, and bizhub are registered trademarks or trademarks of KONICA MINOLTA, INC.

Mozilla and Firefox are trademarks of the Mozilla Foundation.

Microsoft, Windows, Windows Vista, Windows 7, and Windows 8 are either registered trademarks or trademarks of Microsoft Corporation in the United States and/or other countries.

PowerPC is a trademark of IBM Corporation in the United States, or other countries, or both.

In regard to the Citrix Technology Member

KONICA MINOLTA, INC. is a Citrix Technology Member

The Citrix Technology Member is a program that, in combination with a solution of Citrix, promotes and develops solutions in order to be an industry leader in providing customers with better solutions.

XenApp™, Citrix XenServer™ and Citrix Presentation Server™ are trademarks of Citrix®

Apple, Macintosh and Mac OS are registered trademarks of Apple Computer, Inc. Safari is a trademark of Apple Computer, Inc.

Adobe, the Adobe logo, Acrobat and PostScript are either registered trademarks or trademarks of Adobe Systems Incorporated in the United States and/or other countries.

Ethernet is a registered trademark of Xerox Corporation.

PCL is a registered trademark of Hewlett-Packard Company Limited.

CUPS and CUPS logo are registered trademark of Easy Software Products.

IEEE and the IEEE logo are registered trademarks or trademarks of The Institute of Electrical and Electronics Engineers, Inc. in the United States and/or other countries.

ThinPrint is a registered trademark or trademark of Cortado AG in Germany and other countries.

All other product and brand names are trademarks or registered trademarks of their respective companies or organizations.

OpenSSL Statement

OpenSSL License

Copyright ©1998-2006 The OpenSSL Project. All rights reserved.

Redistribution and use in source and binary forms, with or without modification, are permitted provided that the following conditions are met:

1. Redistributions of source code must retain the above copyright notice, this list of conditions and the following disclaimer.
2. Redistributions in binary form must reproduce the above copyright notice, this list of conditions and the following disclaimer in the documentation and/or other materials provided with the distribution.
3. All advertising materials mentioning features or use of this software must display the following acknowledgment:
“This product includes software developed by the OpenSSL Project for use in the OpenSSL Toolkit.
(<http://www.openssl.org/>)”
4. The names “OpenSSL Toolkit” and “OpenSSL Project” must not be used to endorse or promote products derived from this software without prior written permission. For written permission, please contact openssl-core@openssl.org.
5. Products derived from this software may not be called “OpenSSL” nor may “OpenSSL” appear in their names without prior written permission of the OpenSSL Project.
6. Redistributions of any form whatsoever must retain the following acknowledgment:
“This product includes software developed by the OpenSSL Project for use in the OpenSSL Toolkit
(<http://www.openssl.org/>)”

THIS SOFTWARE IS PROVIDED BY THE OpenSSL PROJECT "AS IS" AND ANY EXPRESSED OR IMPLIED WARRANTIES, INCLUDING, BUT NOT LIMITED TO, THE IMPLIED WARRANTIES OF MERCHANTABILITY AND FITNESS FOR A PARTICULAR PURPOSE ARE DISCLAIMED. IN NO EVENT SHALL THE OpenSSL PROJECT OR ITS CONTRIBUTORS BE LIABLE FOR ANY DIRECT, INDIRECT, INCIDENTAL, SPECIAL, EXEMPLARY, OR CONSEQUENTIAL DAMAGES (INCLUDING, BUT NOT LIMITED TO, PROCUREMENT OF SUBSTITUTE GOODS OR SERVICES; LOSS OF USE, DATA, OR PROFITS; OR BUSINESS INTERRUPTION) HOWEVER CAUSED AND ON ANY THEORY OF LIABILITY, WHETHER IN CONTRACT, STRICT LIABILITY, OR TORT (INCLUDING NEGLIGENCE OR OTHERWISE) ARISING IN ANY WAY OUT OF THE USE OF THIS SOFTWARE, EVEN IF ADVISED OF THE POSSIBILITY OF SUCH DAMAGE.

This product includes cryptographic software written by Eric Young (eay@cryptsoft.com). This product includes software written by Tim Hudson (tjh@cryptsoft.com).

Original SSLeay License

Copyright ©1995-1998 Eric Young (eay@cryptsoft.com) All rights reserved.

This package is an SSL implementation written by Eric Young (eay@cryptsoft.com).

The implementation was written so as to conform with Netscapes SSL.

This library is free for commercial and non-commercial use as long as the following conditions are aheared to. The following conditions apply to all code found in this distribution, be it the RC4, RSA, lhash, DES, etc., code; not just the SSL code.

The SSL documentation included with this distribution is covered by the same copyright terms except that the holder is Tim Hudson (tjh@cryptsoft.com).

Copyright remains Eric Young's, and as such any Copyright notices in the code are not to be removed. If this package is used in a product, Eric Young should be given attribution as the author of the parts of the library used. This can be in the form of a textual message at program startup or in documentation (online or textual) provided with the package.

Redistribution and use in source and binary forms, with or without modification, are permitted provided that the following conditions are met:

1. Redistributions of source code must retain the copyright notice, this list of conditions and the following disclaimer.
2. Redistributions in binary form must reproduce the above copyright notice, this list of conditions and the following disclaimer in the documentation and/or other materials provided with the distribution.
3. All advertising materials mentioning features or use of this software must display the following acknowledgement:
 "This product includes cryptographic software written by Eric Young (eay@crypt-soft.com)"
 The word 'cryptographic' can be left out if the rouines from the library being used are not cryptographic related.
4. If you include any Windows specific code (or a derivative thereof) from the apps directory (application code) you must include an acknowledgement:
 "This product includes software written by Tim Hudson (tjh@cryptsoft.com)"

THIS SOFTWARE IS PROVIDED BY ERIC YOUNG "AS IS" AND ANY EXPRESS OR IMPLIED WARRANTIES, INCLUDING, BUT NOT LIMITED TO, THE IMPLIED WARRANTIES OF MERCHANTABILITY AND FITNESS FOR A PARTICULAR PURPOSE ARE DISCLAIMED. IN NO EVENT SHALL THE AUTHOR OR CONTRIBUTORS BE LIABLE FOR ANY DIRECT, INDIRECT, INCIDENTAL, SPECIAL, EXEMPLARY, OR CONSEQUENTIAL DAMAGES (INCLUDING, BUT NOT LIMITED TO, PROCUREMENT OF SUBSTITUTE GOODS OR SERVICES; LOSS OF USE, DATA, OR PROFITS; OR BUSINESS INTERRUPTION) HOWEVER CAUSED AND ON ANY THEORY OF LIABILITY, WHETHER IN CONTRACT, STRICT LIABILITY, OR TORT (INCLUDING NEGLIGENCE OR OTHERWISE) ARISING IN ANY WAY OUT OF THE USE OF THIS SOFTWARE, EVEN IF ADVISED OF THE POSSIBILITY OF SUCH DAMAGE.

The licence and distribution terms for any publically available version or derivative of this code cannot be changed. i.e. this code cannot simply be copied and put under another distribution licence [including the GNU Public Licence.]

OpenSLP License

Copyright ©2000 Caldera Systems, Inc All rights reserved.

Redistribution and use in source and binary forms, with or without modification, are permitted provided that the following conditions are met:

Redistributions of source code must retain the above copyright notice, this list of conditions and the following disclaimer.

Redistributions in binary form must reproduce the above copyright notice, this list of conditions and the following disclaimer in the documentation and/or other materials provided with the distribution.

Neither the name of Caldera Systems nor the names of its contributors may be used to endorse or promote products derived from this software without specific prior written permission.

THIS SOFTWARE IS PROVIDED BY THE COPYRIGHT HOLDERS AND CONTRIBUTORS "AS IS" AND ANY EXPRESS OR IMPLIED WARRANTIES, INCLUDING, BUT NOT LIMITED TO, THE IMPLIED WARRANTIES OF MERCHANTABILITY AND FITNESS FOR A PARTICULAR PURPOSE ARE DISCLAIMED. IN NO EVENT SHALL THE CALDERA SYSTEMS OR CONTRIBUTORS BE LIABLE FOR ANY DIRECT, INDIRECT, INCIDENTAL, SPECIAL, EXEMPLARY, OR CONSEQUENTIAL DAMAGES (INCLUDING, BUT NOT LIMITED TO, PROCUREMENT OF SUBSTITUTE GOODS OR SERVICES; LOSS OF USE, DATA, OR PROFITS; OR BUSINESS INTERRUPTION) HOWEVER CAUSED AND ON ANY THEORY OF LIABILITY, WHETHER IN CONTRACT, STRICT LIABILITY, OR TORT (INCLUDING NEGLIGENCE OR OTHERWISE) ARISING IN ANY WAY OUT OF THE USE OF THIS SOFTWARE, EVEN IF ADVISED OF THE POSSIBILITY OF SUCH DAMAGE.

Bonjour

Apache License

Version 2.0, January 2004

<http://www.apache.org/licenses/>

TERMS AND CONDITIONS FOR USE, REPRODUCTION, AND DISTRIBUTION

1. Definitions.

"License" shall mean the terms and conditions for use, reproduction, and distribution as defined by Sections 1 through 9 of this document.

"Licensor" shall mean the copyright owner or entity authorized by the copyright owner that is granting the License.

"Legal Entity" shall mean the union of the acting entity and all other entities that control, are controlled by, or are under common control with that entity. For the purposes of this definition, "control" means (i) the power, direct or indirect, to cause the direction or management of such entity, whether by contract or otherwise, or (ii) ownership of fifty percent (50%) or more of the outstanding shares, or (iii) beneficial ownership of such entity.

"You" (or "Your") shall mean an individual or Legal Entity exercising permissions granted by this License.

"Source" form shall mean the preferred form for making modifications, including but not limited to software source code, documentation source, and configuration files.

"Object" form shall mean any form resulting from mechanical transformation or translation of a Source form, including but not limited to compiled object code, generated documentation, and conversions to other media types.

"Work" shall mean the work of authorship, whether in Source or Object form, made available under the License, as indicated by a copyright notice that is included in or attached to the work (an example is provided in the Appendix below).

"Derivative Works" shall mean any work, whether in Source or Object form, that is based on (or derived from) the Work and for which the editorial revisions, annotations, elaborations, or other modifications represent, as a whole, an original work of authorship. For the purposes of this License, Derivative Works shall not include works that remain separable from, or merely link (or bind by name) to the interfaces of, the Work and Derivative Works thereof.

"Contribution" shall mean any work of authorship, including the original version of the Work and any modifications or additions to that Work or Derivative Works thereof, that is intentionally submitted to Licensor for inclusion in the Work by the copyright owner or by an individual or Legal Entity authorized to submit on behalf of the copyright owner. For the purposes of this definition, "submitted" means any form of electronic, verbal, or written communication sent to the Licensor or its representatives, including but not limited to communication on electronic mailing lists, source code control systems, and issue tracking systems that are managed

by, or on behalf of, the Licensor for the purpose of discussing and improving the Work, but excluding communication that is conspicuously marked or otherwise designated in writing by the copyright owner as “Not a Contribution.”

“Contributor” shall mean Licensor and any individual or Legal Entity on behalf of whom a Contribution has been received by Licensor and subsequently incorporated within the Work.

2. Grant of Copyright License.

Subject to the terms and conditions of this License, each Contributor hereby grants to You a perpetual, worldwide, non-exclusive, no-charge, royalty-free, irrevocable copyright license to reproduce, prepare Derivative Works of, publicly display, publicly perform, sublicense, and distribute the Work and such Derivative Works in Source or Object form.

3. Grant of Patent License.

Subject to the terms and conditions of this License, each Contributor hereby grants to You a perpetual, worldwide, non-exclusive, no-charge, royalty-free, irrevocable (except as stated in this section) patent license to make, have made, use, offer to sell, sell, import, and otherwise transfer the Work, where such license applies only to those patent claims licensable by such Contributor that are necessarily infringed by their Contribution(s) alone or by combination of their Contribution(s) with the Work to which such Contribution(s) was submitted. If You institute patent litigation against any entity (including a cross-claim or counterclaim in a lawsuit) alleging that the Work or a Contribution incorporated within the Work constitutes direct or contributory patent infringement, then any patent licenses granted to You under this License for that Work shall terminate as of the date such litigation is filed.

4. Redistribution.

You may reproduce and distribute copies of the Work or Derivative Works thereof in any medium, with or without modifications, and in Source or Object form, provided that You meet the following conditions:

- a. You must give any other recipients of the Work or Derivative Works a copy of this License; and
- b. You must cause any modified files to carry prominent notices stating that You changed the files; and
- c. You must retain, in the Source form of any Derivative Works that You distribute, all copyright, patent, trademark, and attribution notices from the Source form of the Work, excluding those notices that do not pertain to any part of the Derivative Works; and
- d. If the Work includes a “NOTICE” text file as part of its distribution, then any Derivative Works that You distribute must include a readable copy of the attribution notices contained within such NOTICE file, excluding those notices that do not pertain to any part of the Derivative Works, in at least one of the following places: within a NOTICE text file distributed as part of the Derivative Works; within the Source form or documentation, if provided along with the Derivative Works; or, within a display generated by the Derivative Works, if and wherever such third-party notices normally appear. The contents of the NOTICE file are for informational purposes only and do not modify the License. You may add Your own attribution notices within Derivative Works that You distribute, alongside or as an addendum to the NOTICE text from the Work, provided that such additional attribution notices cannot be construed as modifying the License. You may add Your own copyright statement to Your modifications and may provide additional or different license terms and conditions for use, reproduction, or distribution of Your modifications, or for any such Derivative Works as a whole, provided Your use, reproduction, and distribution of the Work otherwise complies with the conditions stated in this License.

5. Submission of Contributions.

Unless You explicitly state otherwise, any Contribution intentionally submitted for inclusion in the Work by You to the Licensor shall be under the terms and conditions of this License, without any additional terms or conditions. Notwithstanding the above, nothing herein shall supersede or modify the terms of any separate license agreement you may have executed with Licensor regarding such Contributions.

6. Trademarks.

This License does not grant permission to use the trade names, trademarks, service marks, or product names of the Licensor, except as required for reasonable and customary use in describing the origin of the Work and reproducing the content of the NOTICE file.

7. Disclaimer of Warranty.

Unless required by applicable law or agreed to in writing, Licensor provides the Work (and each Contributor provides its Contributions) on an "AS IS" BASIS, WITHOUT WARRANTIES OR CONDITIONS OF ANY KIND, either express or implied, including, without limitation, any warranties or conditions of TITLE, NON-INFRINGEMENT, MERCHANTABILITY, or FITNESS FOR A PARTICULAR PURPOSE. You are solely responsible for determining the appropriateness of using or redistributing the Work and assume any risks associated with Your exercise of permissions under this License.

8. Limitation of Liability.

In no event and under no legal theory, whether in tort (including negligence), contract, or otherwise, unless required by applicable law (such as deliberate and grossly negligent acts) or agreed to in writing, shall any Contributor be liable to You for damages, including any direct, indirect, special, incidental, or consequential damages of any character arising as a result of this License or out of the use or inability to use the Work (including but not limited to damages for loss of goodwill, work stoppage, computer failure or malfunction, or any and all other commercial damages or losses), even if such Contributor has been advised of the possibility of such damages.

9. Accepting Warranty or Additional Liability.

While redistributing the Work or Derivative Works thereof, You may choose to offer, and charge a fee for, acceptance of support, warranty, indemnity, or other liability obligations and/or rights consistent with this License. However, in accepting such obligations, You may act only on Your own behalf and on Your sole responsibility, not on behalf of any other Contributor, and only if You agree to indemnify, defend, and hold each Contributor harmless for any liability incurred by, or claims asserted against, such Contributor by reason of your accepting any such warranty or additional liability.

END OF TERMS AND CONDITIONS

APPENDIX: How to apply the Apache License to your work

To apply the Apache License to your work, attach the following boilerplate notice, with the fields enclosed by brackets "[]" replaced with your own identifying information. (Don't include the brackets!) The text should be enclosed in the appropriate comment syntax for the file format. We also recommend that a file or class name and description of purpose be included on the same "printed page" as the copyright notice for easier identification within third-party archives.

NetSNMP License

Part 1: CMU/UCD copyright notice: (BSD like)

Copyright 1989, 1991, 1992 by Carnegie Mellon University Derivative Work - 1996, 1998-2000

Copyright 1996, 1998-2000 The Regents of the University of California All Rights Reserved

Permission to use, copy, modify and distribute this software and its documentation for any purpose and without fee is hereby granted, provided that the above copyright notice appears in all copies and that both that copyright notice and this permission notice appear in supporting documentation, and that the name of CMU and The Regents of the University of California not be used in advertising or publicity pertaining to distribution of the software without specific written permission.

CMU AND THE REGENTS OF THE UNIVERSITY OF CALIFORNIA DISCLAIM ALL WARRANTIES WITH REGARD TO THIS SOFTWARE, INCLUDING ALL IMPLIED WARRANTIES OF MERCHANTABILITY AND FITNESS. IN NO EVENT SHALL CMU OR THE REGENTS OF THE UNIVERSITY OF CALIFORNIA BE LIABLE FOR ANY SPECIAL, INDIRECT OR CONSEQUENTIAL DAMAGES OR ANY DAMAGES WHATSOEVER RESULTING FROM THE LOSS OF USE, DATA OR PROFITS, WHETHER IN AN ACTION OF CONTRACT, NEGLIGENCE OR OTHER TORTIOUS ACTION, ARISING OUT OF OR IN CONNECTION WITH THE USE OR PERFORMANCE OF THIS SOFTWARE.

Part 2: Networks Associates Technology, Inc copyright notice (BSD)

Copyright ©2001-2003, Networks Associates Technology, Inc

All rights reserved.

Redistribution and use in source and binary forms, with or without modification, are permitted provided that the following conditions are met:

* Redistributions of source code must retain the above copyright notice, this list of conditions and the following disclaimer.

* Redistributions in binary form must reproduce the above copyright notice, this list of conditions and the following disclaimer in the documentation and/or other materials provided with the distribution.

* Neither the name of the Networks Associates Technology, Inc nor the names of its contributors may be used to endorse or promote products derived from this software without specific prior written permission.

THIS SOFTWARE IS PROVIDED BY THE COPYRIGHT HOLDERS AND CONTRIBUTORS "AS IS" AND ANY EXPRESS OR IMPLIED WARRANTIES, INCLUDING, BUT NOT LIMITED TO, THE IMPLIED WARRANTIES OF MERCHANTABILITY AND FITNESS FOR A PARTICULAR PURPOSE ARE DISCLAIMED. IN NO EVENT SHALL THE COPYRIGHT HOLDERS OR CONTRIBUTORS BE LIABLE FOR ANY DIRECT, INDIRECT, INCIDENTAL, SPECIAL, EXEMPLARY, OR CONSEQUENTIAL DAMAGES (INCLUDING, BUT NOT LIMITED TO, PROCUREMENT OF SUBSTITUTE GOODS OR SERVICES; LOSS OF USE, DATA, OR PROFITS; OR BUSINESS INTERRUPTION) HOWEVER CAUSED AND ON ANY THEORY OF LIABILITY, WHETHER IN CONTRACT, STRICT LIABILITY, OR TORT (INCLUDING NEGLIGENCE OR OTHERWISE) ARISING IN ANY WAY OUT OF THE USE OF THIS SOFTWARE, EVEN IF ADVISED OF THE POSSIBILITY OF SUCH DAMAGE.

Part 3: Cambridge Broadband Ltd. copyright notice (BSD)

Portions of this code are copyright ©2001-2003, Cambridge Broadband Ltd.

All rights reserved.

Redistribution and use in source and binary forms, with or without modification, are permitted provided that the following conditions are met:

* Redistributions of source code must retain the above copyright notice, this list of conditions and the following disclaimer.

* Redistributions in binary form must reproduce the above copyright notice, this list of conditions and the following disclaimer in the documentation and/or other materials provided with the distribution.

* The name of Cambridge Broadband Ltd. may not be used to endorse or promote products derived from this software without specific prior written permission.

THIS SOFTWARE IS PROVIDED BY THE COPYRIGHT HOLDER "AS IS" AND ANY EXPRESS OR IMPLIED WARRANTIES, INCLUDING, BUT NOT LIMITED TO, THE IMPLIED WARRANTIES OF MERCHANTABILITY AND FITNESS FOR A PARTICULAR PURPOSE ARE DISCLAIMED.

IN NO EVENT SHALL THE COPYRIGHT HOLDER BE LIABLE FOR ANY DIRECT, INDIRECT, INCIDENTAL, SPECIAL, EXEMPLARY, OR CONSEQUENTIAL DAMAGES (INCLUDING, BUT NOT LIMITED TO, PROCUREMENT OF SUBSTITUTE GOODS OR SERVICES; LOSS OF USE, DATA, OR PROFITS; OR BUSINESS INTERRUPTION) HOWEVER CAUSED AND ON ANY THEORY OF LIABILITY, WHETHER IN CONTRACT, STRICT LIABILITY, OR TORT (INCLUDING NEGLIGENCE OR OTHERWISE) ARISING IN ANY WAY OUT OF THE USE OF THIS SOFTWARE, EVEN IF ADVISED OF THE POSSIBILITY OF SUCH DAMAGE.

Part 4: Sun Microsystems, Inc. copyright notice (BSD)

Copyright ©2003 Sun Microsystems, Inc., 4150 Network Circle, Santa Clara, California 95054, U.S.A. All rights reserved.

Use is subject to license terms below.

This distribution may include materials developed by third parties.

Sun, Sun Microsystems, the Sun logo and Solaris are trademarks or registered trademarks of Sun Microsystems, Inc. in the U.S. and other countries.

Redistribution and use in source and binary forms, with or without modification, are permitted provided that the following conditions are met:

* Redistributions of source code must retain the above copyright notice, this list of conditions and the following disclaimer.

* Redistributions in binary form must reproduce the above copyright notice, this list of conditions and the following disclaimer in the documentation and/or other materials provided with the distribution.

* Neither the name of the Sun Microsystems, Inc. nor the names of its contributors may be used to endorse or promote products derived from this software without specific prior written permission.

THIS SOFTWARE IS PROVIDED BY THE COPYRIGHT HOLDERS AND CONTRIBUTORS "AS IS" AND ANY EXPRESS OR IMPLIED WARRANTIES, INCLUDING, BUT NOT LIMITED TO, THE IMPLIED WARRANTIES OF MERCHANTABILITY AND FITNESS FOR A PARTICULAR PURPOSE ARE DISCLAIMED. IN NO EVENT SHALL THE COPYRIGHT HOLDERS OR CONTRIBUTORS BE LIABLE FOR ANY DIRECT, INDIRECT, INCIDENTAL, SPECIAL, EXEMPLARY, OR CONSEQUENTIAL DAMAGES (INCLUDING, BUT NOT LIMITED TO, PROCUREMENT OF SUBSTITUTE GOODS OR SERVICES; LOSS OF USE, DATA, OR PROFITS; OR BUSINESS INTERRUPTION) HOWEVER CAUSED AND ON ANY THEORY OF LIABILITY, WHETHER IN CONTRACT, STRICT LIABILITY, OR TORT (INCLUDING NEGLIGENCE OR OTHERWISE) ARISING IN ANY WAY OUT OF THE USE OF THIS SOFTWARE, EVEN IF ADVISED OF THE POSSIBILITY OF SUCH DAMAGE.

Part 5: Sparta, Inc copyright notice (BSD)

Copyright ©2003-2004, Sparta, Inc All rights reserved.

Redistribution and use in source and binary forms, with or without modification, are permitted provided that the following conditions are met:

* Redistributions of source code must retain the above copyright notice, this list of conditions and the following disclaimer.

* Redistributions in binary form must reproduce the above copyright notice, this list of conditions and the fol-

lowing disclaimer in the documentation and/or other materials provided with the distribution.

* Neither the name of Sparta, Inc nor the names of its contributors may be used to endorse or promote products derived from this software without specific prior written permission.

THIS SOFTWARE IS PROVIDED BY THE COPYRIGHT HOLDERS AND CONTRIBUTORS "AS IS" AND ANY EXPRESS OR IMPLIED WARRANTIES, INCLUDING, BUT NOT LIMITED TO, THE IMPLIED WARRANTIES OF MERCHANTABILITY AND FITNESS FOR A PARTICULAR PURPOSE ARE DISCLAIMED. IN NO EVENT SHALL THE COPYRIGHT HOLDERS OR CONTRIBUTORS BE LIABLE FOR ANY DIRECT, INDIRECT, INCIDENTAL, SPECIAL, EXEMPLARY, OR CONSEQUENTIAL DAMAGES (INCLUDING, BUT NOT LIMITED TO, PROCUREMENT OF SUBSTITUTE GOODS OR SERVICES; LOSS OF USE, DATA, OR PROFITS; OR BUSINESS INTERRUPTION) HOWEVER CAUSED AND ON ANY THEORY OF LIABILITY, WHETHER IN CONTRACT, STRICT LIABILITY, OR TORT (INCLUDING NEGLIGENCE OR OTHERWISE) ARISING IN ANY WAY OUT OF THE USE OF THIS SOFTWARE, EVEN IF ADVISED OF THE POSSIBILITY OF SUCH DAMAGE.

Part 6: Cisco/BUPTNIC copyright notice (BSD)

Copyright ©2004, Cisco, Inc and Information Network Center of Beijing University of Posts and Telecommunications. All rights reserved.

Redistribution and use in source and binary forms, with or without modification, are permitted provided that the following conditions are met:

* Redistributions of source code must retain the above copyright notice, this list of conditions and the following disclaimer.

* Redistributions in binary form must reproduce the above copyright notice, this list of conditions and the following disclaimer in the documentation and/or other materials provided with the distribution.

* Neither the name of Cisco, Inc, Beijing University of Posts and Telecommunications, nor the names of their contributors may be used to endorse or promote products derived from this software without specific prior written permission.

THIS SOFTWARE IS PROVIDED BY THE COPYRIGHT HOLDERS AND CONTRIBUTORS "AS IS" AND ANY EXPRESS OR IMPLIED WARRANTIES, INCLUDING, BUT NOT LIMITED TO, THE IMPLIED WARRANTIES OF MERCHANTABILITY AND FITNESS FOR A PARTICULAR PURPOSE ARE DISCLAIMED. IN NO EVENT SHALL THE COPYRIGHT HOLDERS OR CONTRIBUTORS BE LIABLE FOR ANY DIRECT, INDIRECT, INCIDENTAL, SPECIAL, EXEMPLARY, OR CONSEQUENTIAL DAMAGES (INCLUDING, BUT NOT LIMITED TO, PROCUREMENT OF SUBSTITUTE GOODS OR SERVICES; LOSS OF USE, DATA, OR PROFITS; OR BUSINESS INTERRUPTION) HOWEVER CAUSED AND ON ANY THEORY OF LIABILITY, WHETHER IN CONTRACT, STRICT LIABILITY, OR TORT (INCLUDING NEGLIGENCE OR OTHERWISE) ARISING IN ANY WAY OUT OF THE USE OF THIS SOFTWARE, EVEN IF ADVISED OF THE POSSIBILITY OF SUCH DAMAGE.

Kerberos

Copyright ©1985-2007 by the Massachusetts Institute of Technology.

All rights reserved.

Export of this software from the United States of America may require a specific license from the United States Government. It is the responsibility of any person or organization contemplating export to obtain such a license before exporting.

WITHIN THAT CONSTRAINT, permission to use, copy, modify, and distribute this software and its documentation for any purpose and without fee is hereby granted, provided that the above copyright notice appear in all copies and that both that copyright notice and this permission notice appear in supporting documentation, and that the name of M.I.T. not be used in advertising or publicity pertaining to distribution of the software without specific, written prior permission. Furthermore if you modify this software you must label your software as modified software and not distribute it in such a fashion that it might be confused with the original MIT software. M.I.T. makes no representations about the suitability of this software for any purpose. It is provided "as is" without express or implied warranty.

THIS SOFTWARE IS PROVIDED "AS IS" AND WITHOUT ANY EXPRESS OR IMPLIED WARRANTIES, INCLUDING, WITHOUT LIMITATION, THE IMPLIED WARRANTIES OF MERCHANTABILITY AND FITNESS FOR A PARTICULAR PURPOSE.

Individual source code files are copyright MIT, Cygnus Support, Novell, OpenVision Technologies, Oracle, Red Hat, Sun Microsystems, FundsXpress, and others.

Project Athena, Athena, Athena MUSE, Discuss, Hesiod, Kerberos, Moira, and Zephyr are trademarks of the Massachusetts Institute of Technology (MIT). No commercial use of these trademarks may be made without prior written permission of MIT.

"Commercial use" means use of a name in a product or other for-profit manner. It does NOT prevent a commercial firm from referring to the MIT trademarks in order to convey information (although in doing so, recognition of their trademark status should be given).

Portions of src/lib/crypto have the following copyright:

Copyright ©1998 by the FundsXpress, INC.

All rights reserved.

Export of this software from the United States of America may require a specific license from the United States Government. It is the responsibility of any person or organization contemplating export to obtain such a license before exporting.

WITHIN THAT CONSTRAINT, permission to use, copy, modify, and distribute this software and its documentation for any purpose and without fee is hereby granted, provided that the above copyright notice appear in all copies and that both that copyright notice and this permission notice appear in supporting documentation, and that the name of FundsXpress. not be used in advertising or publicity pertaining to distribution of the software without specific, written prior permission. FundsXpress makes no representations about the suitability of this software for any purpose. It is provided "as is" without express or implied warranty.

THIS SOFTWARE IS PROVIDED "AS IS" AND WITHOUT ANY EXPRESS OR IMPLIED WARRANTIES, INCLUDING, WITHOUT LIMITATION, THE IMPLIED WARRANTIES OF MERCHANTABILITY AND FITNESS FOR A PARTICULAR PURPOSE.

The implementation of the Yarrow pseudo-random number generator in src/lib/crypto/yarrow has the following copyright:

Copyright 2000 by Zero-Knowledge Systems, Inc.

Permission to use, copy, modify, distribute, and sell this software and its documentation for any purpose is hereby granted without fee, provided that the above copyright notice appear in all copies and that both that copyright notice and this permission notice appear in supporting documentation, and that the name of Zero-Knowledge Systems, Inc. not be used in advertising or publicity pertaining to distribution of the software without specific, written prior permission. Zero-Knowledge Systems, Inc. makes no representations about the suitability of this software for any purpose. It is provided "as is" without express or implied warranty.

ZERO-KNOWLEDGE SYSTEMS, INC. DISCLAIMS ALL WARRANTIES WITH REGARD TO THIS SOFTWARE, INCLUDING ALL IMPLIED WARRANTIES OF MERCHANTABILITY AND FITNESS, IN NO EVENT SHALL ZERO-KNOWLEDGE SYSTEMS, INC. BE LIABLE FOR ANY SPECIAL, INDIRECT OR CONSEQUENTIAL DAMAGES OR ANY DAMAGES WHATSOEVER RESULTING FROM LOSS OF USE, DATA OR PROFITS, WHETHER IN AN ACTION OF CONTRACT, NEGLIGENCE OR OTHER TORTUOUS ACTION, ARISING OUT OF OR IN CONNECTION WITH THE USE OR PERFORMANCE OF THIS SOFTWARE.

The implementation of the AES encryption algorithm in src/lib/crypto/aes has the following copyright:

Copyright ©2001, Dr Brian Gladman <brg@gladman.uk.net>, Worcester, UK. All rights reserved.

LICENSE TERMS

The free distribution and use of this software in both source and binary form is allowed (with or without changes) provided that:

1. distributions of this source code include the above copyright notice, this list of conditions and the following disclaimer;
2. distributions in binary form include the above copyright notice, this list of conditions and the following disclaimer in the documentation and/or other associated materials;
3. the copyright holder's name is not used to endorse products built using this software without specific written permission.

DISCLAIMER

This software is provided 'as is' with no explicit or implied warranties in respect of any properties, including, but not limited to, correctness and fitness for purpose.

Portions contributed by Red Hat, including the pre-authentication plug-ins framework, contain the following copyright:

Copyright ©2006 Red Hat, Inc.

Portions copyright ©2006 Massachusetts Institute of Technology

All Rights Reserved.

Redistribution and use in source and binary forms, with or without modification, are permitted provided that the following conditions are met:

- * Redistributions of source code must retain the above copyright notice, this list of conditions and the following disclaimer.
- * Redistributions in binary form must reproduce the above copyright notice, this list of conditions and the following disclaimer in the documentation and/or other materials provided with the distribution.
- * Neither the name of Red Hat, Inc., nor the names of its contributors may be used to endorse or promote products derived from this software without specific prior written permission.

THIS SOFTWARE IS PROVIDED BY THE COPYRIGHT HOLDERS AND CONTRIBUTORS "AS IS" AND ANY EXPRESS OR IMPLIED WARRANTIES, INCLUDING, BUT NOT LIMITED TO, THE IMPLIED WARRANTIES OF MERCHANTABILITY AND FITNESS FOR A PARTICULAR PURPOSE ARE DISCLAIMED. IN NO EVENT SHALL THE COPYRIGHT OWNER OR CONTRIBUTORS BE LIABLE FOR ANY DIRECT, INDIRECT, INCIDENTAL, SPECIAL, EXEMPLARY, OR CONSEQUENTIAL DAMAGES (INCLUDING, BUT NOT LIMITED TO, PROCUREMENT OF SUBSTITUTE GOODS OR SERVICES; LOSS OF USE, DATA, OR PROFITS; OR BUSINESS INTERRUPTION) HOWEVER CAUSED AND ON ANY THEORY OF LIABILITY, WHETHER IN CONTRACT, STRICT LIABILITY, OR TORT (INCLUDING NEGLIGENCE OR OTHERWISE) ARISING IN ANY WAY OUT OF THE USE OF THIS SOFTWARE, EVEN IF ADVISED OF THE POSSIBILITY OF SUCH DAMAGE.

Portions funded by Sandia National Laboratory and developed by the University of Michigan's Center for Information Technology Integration, including the PKINIT implementation, are subject to the following license:

COPYRIGHT ©2006-2007

THE REGENTS OF THE UNIVERSITY OF MICHIGAN

ALL RIGHTS RESERVED

Permission is granted to use, copy, create derivative works and redistribute this software and such derivative works for any purpose, so long as the name of The University of Michigan is not used in any advertising or publicity pertaining to the use of distribution of this software without specific, written prior authorization. If the above copyright notice or any other identification of the University of Michigan is included in any copy of any portion of this software, then the disclaimer below must also be included.

THIS SOFTWARE IS PROVIDED AS IS, WITHOUT REPRESENTATION FROM THE UNIVERSITY OF MICHIGAN AS TO ITS FITNESS FOR ANY PURPOSE, AND WITHOUT WARRANTY BY THE UNIVERSITY OF MICHIGAN OF ANY KIND, EITHER EXPRESS OR IMPLIED, INCLUDING WITHOUT LIMITATION THE IMPLIED WARRANTIES OF MERCHANTABILITY AND FITNESS FOR A PARTICULAR PURPOSE. THE REGENTS OF THE UNIVERSITY OF MICHIGAN SHALL NOT BE LIABLE FOR ANY DAMAGES, INCLUDING SPECIAL, INDIRECT, INCIDENTAL, OR CONSEQUENTIAL DAMAGES, WITH RESPECT TO ANY CLAIM ARISING OUT OF OR IN CONNECTION WITH THE USE OF THE SOFTWARE, EVEN IF IT HAS BEEN OR IS HEREAFTER ADVISED OF THE POSSIBILITY OF SUCH DAMAGES.

The pkcs11.h file included in the PKINIT code has the following license:

Copyright 2006 g10 Code GmbH

Copyright 2006 Andreas Jellinghaus

This file is free software; as a special exception the author gives unlimited permission to copy and/or distribute it, with or without modifications, as long as this notice is preserved.

This file is distributed in the hope that it will be useful, but WITHOUT ANY WARRANTY, to the extent permitted by law; without even the implied warranty of MERCHANTABILITY or FITNESS FOR A PARTICULAR PURPOSE.

WPA Supplicant

Copyright ©2003-2008, Jouni Malinen <j@w1.fi> and contributors All Rights Reserved.

License

This software may be distributed under the terms of BSD license:

Redistribution and use in source and binary forms, with or without modification, are permitted provided that the following conditions are met:

1. Redistributions of source code must retain the above copyright notice, this list of conditions and the following disclaimer.
2. Redistributions in binary form must reproduce the above copyright notice, this list of conditions and the following disclaimer in the documentation and/or other materials provided with the distribution.
3. Neither the name(s) of the above-listed copyright holder(s) nor the names of its contributors may be used to endorse or promote products derived from this software without specific prior written permission.

THIS SOFTWARE IS PROVIDED BY THE COPYRIGHT HOLDERS AND CONTRIBUTORS "AS IS" AND ANY EXPRESS OR IMPLIED WARRANTIES, INCLUDING, BUT NOT LIMITED TO, THE IMPLIED WARRANTIES OF MERCHANTABILITY AND FITNESS FOR A PARTICULAR PURPOSE ARE DISCLAIMED. IN NO EVENT SHALL THE COPYRIGHT OWNER OR CONTRIBUTORS BE LIABLE FOR ANY DIRECT, INDIRECT, INCIDENTAL, SPECIAL, EXEMPLARY, OR CONSEQUENTIAL DAMAGES (INCLUDING, BUT NOT LIMITED TO, PROCUREMENT OF SUBSTITUTE GOODS OR SERVICES; LOSS OF USE, DATA, OR PROFITS; OR BUSINESS INTERRUPTION) HOWEVER CAUSED AND ON ANY THEORY OF LIABILITY, WHETHER IN CONTRACT, STRICT LIABILITY, OR TORT (INCLUDING NEGLIGENCE OR OTHERWISE) ARISING IN ANY WAY OUT OF THE USE OF THIS SOFTWARE, EVEN IF ADVISED OF THE POSSIBILITY OF SUCH DAMAGE.

The WPA Supplicant is provided to Licensee under the terms of the BSD license set forth below and any use of the WPA Supplicant Patch shall comply with the terms and conditions of the following:

Copyright ©2002-2007, Jouni Malinen <j@w1.fi> and contributors

Copyright ©Marvell International Ltd. and its affiliates

All rights reserved.

1. Redistributions in binary form must reproduce the above copyright notice, this list of conditions and the following disclaimer in the documentation and/or other materials provided with the distribution.
2. Neither the name of the copyright owner, Marvell, nor the names of contributors may be used to endorse or promote products derived from this software without specific prior written permission.

THIS SOFTWARE IS PROVIDED BY THE COPYRIGHT HOLDERS AND CONTRIBUTORS "AS IS" AND ANY EXPRESS OR IMPLIED WARRANTIES, INCLUDING, BUT NOT LIMITED TO, THE IMPLIED WARRANTIES OF MERCHANTABILITY AND FITNESS FOR A PARTICULAR PURPOSE ARE DISCLAIMED. IN NO EVENT SHALL THE COPYRIGHT OWNER OR CONTRIBUTORS BE LIABLE FOR ANY DIRECT, INDIRECT, INCIDENTAL, SPECIAL, EXEMPLARY, OR CONSEQUENTIAL DAMAGES (INCLUDING, BUT NOT LIMITED TO, PROCUREMENT OF SUBSTITUTE GOODS OR SERVICES; LOSS OF USE, DATA, OR PROFITS; OR BUSINESS INTERRUPTION) HOWEVER CAUSED AND ON ANY THEORY OF LIABILITY, WHETHER IN CONTRACT, STRICT LIABILITY, OR TORT (INCLUDING NEGLIGENCE OR OTHERWISE) ARISING IN ANY WAY OUT OF THE USE OF THIS SOFTWARE, EVEN IF ADVISED OF THE POSSIBILITY OF SUCH DAMAGE.

Copyright

KONICA MINOLTA, INC. maintains the copyright of the printer drivers.

© 2013 KONICA MINOLTA, INC. All Rights Reserved.

Note

User's Guide may not be reproduced in part or in full without permission.

KONICA MINOLTA, INC. will not be held liable for any incidents caused by using this printing system or User's Guide.

Information included in User's Guide is subject to change without notice.

SOFTWARE LICENSE AGREEMENT

PLEASE READ CAREFULLY THE LICENSE AGREEMENT BELOW BEFORE DOWNLOADING, INSTALLING OR USING THE SOFTWARE. DOWNLOADING, INSTALLING OR USING THE SOFTWARE SHALL BE DEEMED YOUR LAWFUL ACCEPTANCE OF THE TERMS AND CONDITIONS BELOW. IF YOU DO NOT AGREE TO THEM, DO NOT DOWNLOAD, INSTALL, NOR USE THE SOFTWARE.

1. SOFTWARE

"Software" means this computer program (software), independent from its distribution channel, i.e. whether downloaded on royalty-free basis (which may include digitally encoded, machine readable, scalable outline font data as encoded in a special format) or obtained on DVD or any other physical data carrier, together with all codes, techniques, software tools, format, design, concepts, methods and ideas associated with the computer program and all documentation related thereto.

2. COPYRIGHT AND INTELLECTUAL PROPERTY RIGHTS

This is a license agreement and not an agreement for sale. Konica Minolta Business Solutions Europe GmbH ("Konica Minolta") owns, or has been licensed from other owners ("Konica Minolta Licensor"), copyrights and other intellectual property rights of the Software, and any and all rights and title to the Software and any copy made from it are retained by Konica Minolta or Konica Minolta Licensor. In no event, this Agreement shall be deemed to assign any copyright and/or any intellectual property rights of the Software from Konica Minolta or Konica Minolta Licensor to you. Except as stated in this Agreement, you are not granted any rights to patents, copyrights, trade names, trademarks (whether registered or unregistered), or any other rights, franchises or licenses in respect of the Software. The Software is protected by copyright laws and international treaty provisions.

3. LICENSE

Konica Minolta hereby grants to you, and you agree to accept a non-exclusive, non-transferable and limited license, and you may:

- (i) install and use the Software only on your computer(s) connected via inhouse network with a product for which this Software is designed;
- (ii) allow users of the computers described above to use the Software, provided that you assure that all such users comply with the terms of this Agreement;
- (iii) use the Software only for your own customary business or personal purpose;
- (iv) make one copy of the Software only for backup or installation purpose in the support of the normal and intended use of the Software;
- (v) transfer the Software to other party by transferring a copy of this Agreement and all documentation along with the Software, provided that (a) you must, at the same time, either transfer to such other party or destroy all your other copies of the Software, (b) such transfer of possession terminates your license from Konica Minolta, and (c) you must assure that such other party has agreed to accept and be bound by the terms and conditions of this Agreement. If such other party does not accept such terms and conditions then you shall not transfer any copy of the Software.

4. RESTRICTIONS

(1) You must not without the prior written consent of Konica Minolta:

- (i) use, copy, modify, merge or transfer copies of the Software except as provided herein;
- (ii) reverse engineer, reverse assemble, reverse compile or any other way analyze the Software except permitted by law;
- (iii) sublicense, rent, lease or distribute the Software or any copy thereof; or
- (iv) remove, use, or alter any trademark, logo, copyright or other proprietary notices, legends, symbols or labels in the Software.

(2) You agree that you will not export the Software in any form in violation of any applicable laws and regulations regarding export control of any country.

5. LIMITED WARRANTIES

The Software is provided to you "as is" without any warranties whatsoever. The express terms of this Agreement are in lieu of all other warranties, express or implied and Konica Minolta, its affiliate companies and Konica Minolta Licensor disclaim all warranties with regard to the Software, express or implied, including, without limitation, implied warranties of merchantability, fitness for a particular purpose and non-infringement of third party rights. The disclaimer of warranty hereunder does not affect your statutory rights. In case of the disclaimer is not allowed by applicable law, the disclaimer shall only apply to you to the maximum extent permitted by the law.

6. LIMITATION OF REMEDIES

In no event will Konica Minolta, its affiliate companies nor Konica Minolta Licensor be liable for any lost profits, lost data, or any other indirect, special, punitive, incidental or consequential damages that result from use or inability to use the Software, even if Konica Minolta, its affiliate companies, its authorized remarketers or Konica Minolta Licensor have been advised of the possibility of such damages or for any claim by you based on a third party claim.

7. TERMINATION

You may terminate this license at any time by destroying the Software and all your copies of it. This Agreement shall also terminate if you fail to comply with any terms hereof. Upon such termination, you must immediately destroy all copies of the Software in your possession.

8. GOVERNING LAW

This Agreement shall be governed by the laws of the country where the delivery is made to the original customer.

9. SEVERABILITY

In the event that any part or parts of this Agreement shall be held illegal or null and void by any court or administrative body of competent jurisdiction, such determination shall not affect the remaining parts of this Agreement and they shall remain in full force and effect as if such part or parts determined illegal or void had not been included.

10. NOTICE TO US GOVERNMENT END USERS

The Software is a "commercial item," as that term is defined at 48 C.F.R. 2.101 (October 1995), consisting of "commercial computer software" and "commercial computer software documentation," as such terms are used in 48 C.F.R. 12.212 (September 1995). Consistent with 48 C.F.R. 12.212 and 48 C.F.R. 227.7202-1 through 227.7202-4 (June 1995), all U.S. Government End Users shall acquire the Software with only those rights set forth herein.

YOU ACKNOWLEDGE THAT YOU HAVE READ THIS AGREEMENT, UNDERSTAND IT, AND AGREE TO BE BOUND BY ITS TERMS AND CONDITIONS. NEITHER PARTY SHALL BE BOUND BY ANY OTHER STATEMENTS OR REPRESENTATIONS THAT ARE INCONSISTENT WITH THE TERMS AND CONDITIONS OF THIS AGREEMENT. NO AMENDMENT TO THIS AGREEMENT IS EFFECTIVE UNLESS IN WRITING AND SIGNED BY DULY AUTHORIZED REPRESENTATIVES OF EACH PARTY.

Our Concern for Environmental Protection



As an ENERGY STAR® Partner, we have determined that this machine meets the ENERGY STAR Guidelines for energy efficiency.

What is an ENERGY STAR product?

An ENERGY STAR product has a special feature that allows it to automatically switch to a "low-power mode" after a period of inactivity. An ENERGY STAR product uses energy more efficiently, saves you money on utility bills and helps protect the environment.

12 Index

12 Index

A

Account Track 9-3, 9-7
ADF 5-3

C

CD/DVD-ROM 2-3
Consumables 10-8
Control Panel 7-3, 7-5

E

Entering Characters 7-8

I

Icon 7-11
Installation
 Installation environment 2-5
 Installation Location 2-4

J

Job 8-3
 Active Job 8-3
 Log 8-4

K

Keypad 7-6

L

Loading Paper
 Manual Feed Tray 6-6
 Tray 1 6-10
Loading the Original
 ADF 5-4
 Original Glass 5-5

M

Main Menu 7-9

N

Name of each Part 3-3

O

Option Configuration 3-5
Original Glass 5-5

P

Paper
 Available Paper Sizes 6-4
 Available Paper Types 6-3
 Storing Paper 6-5
 Unavailable Paper 6-5
Power Supply 4-3
 Power Key 4-5
 Power Switch 4-4

R

Register Key 7-12

S

Specifications 10-3
 Main Unit 10-3
 Optional Devices 10-5

T

Touch Panel
 Operation 7-6
 Precautions for Correct Operations 7-7

U

User Authentication 9-3
 External Server Authentication 9-5
 MFP authentication 9-3

