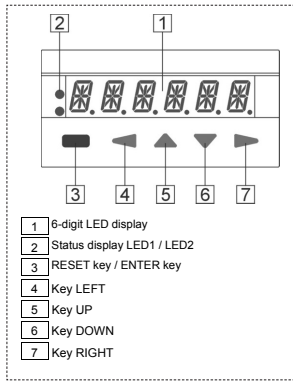
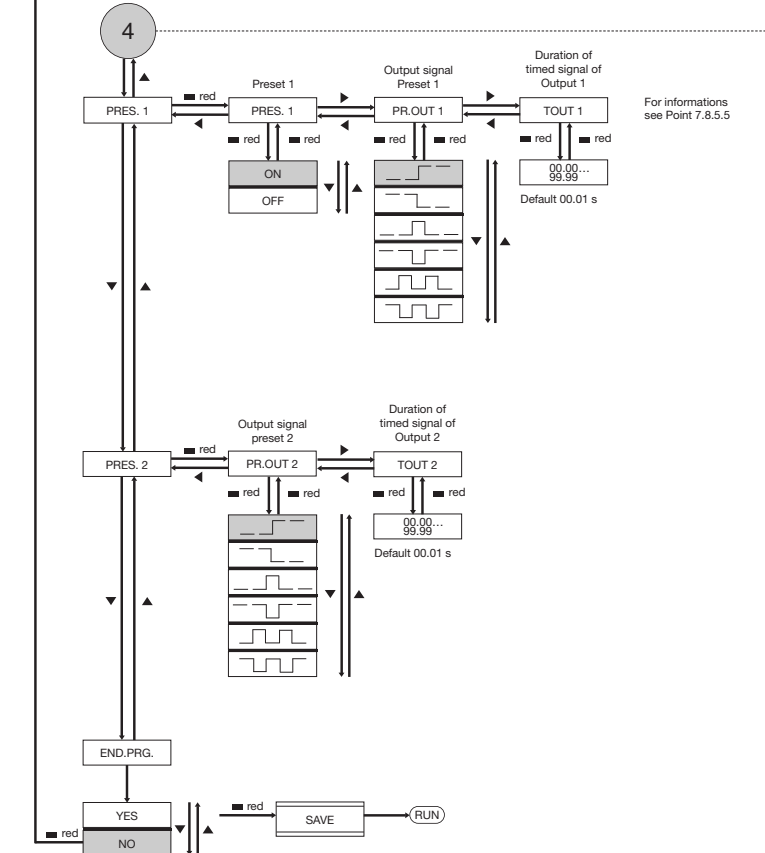
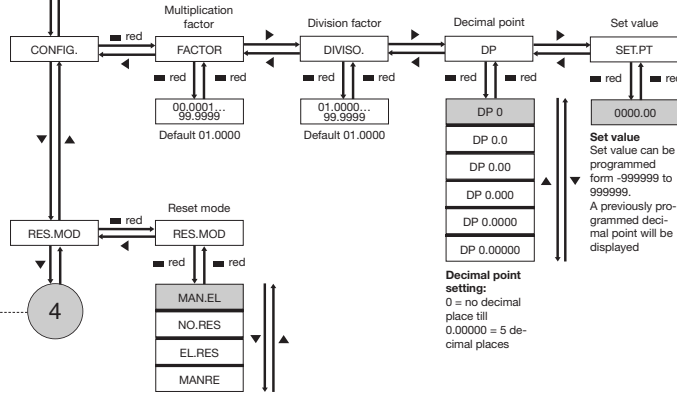
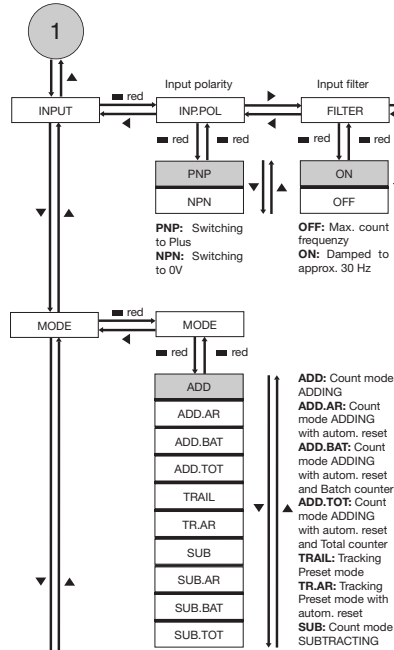


Changing the basic function causes all parameters to be reset to factory settings.

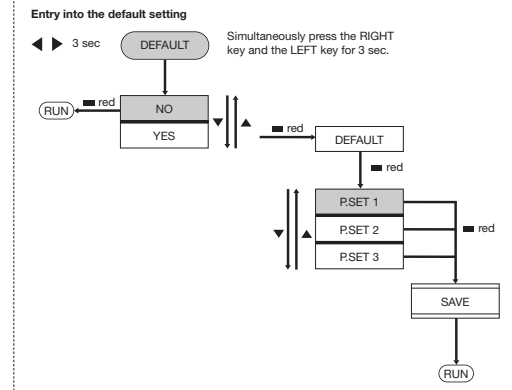
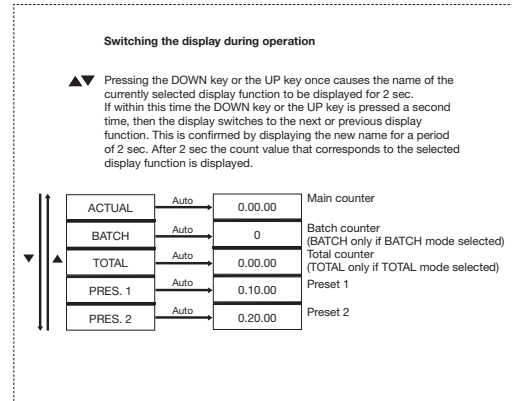


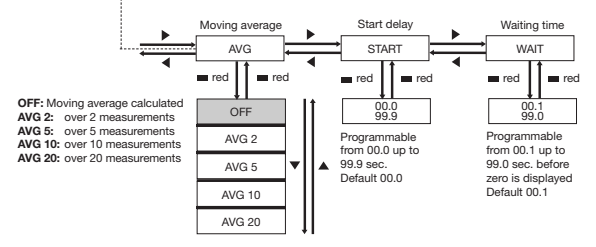
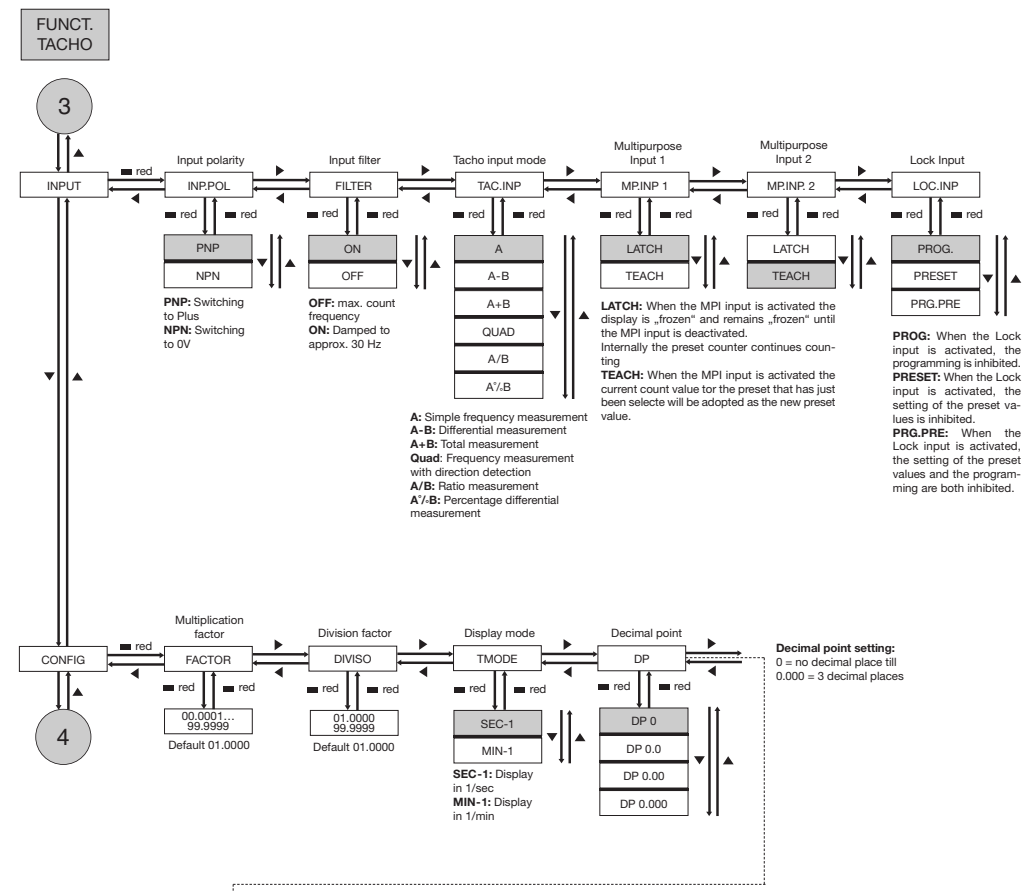
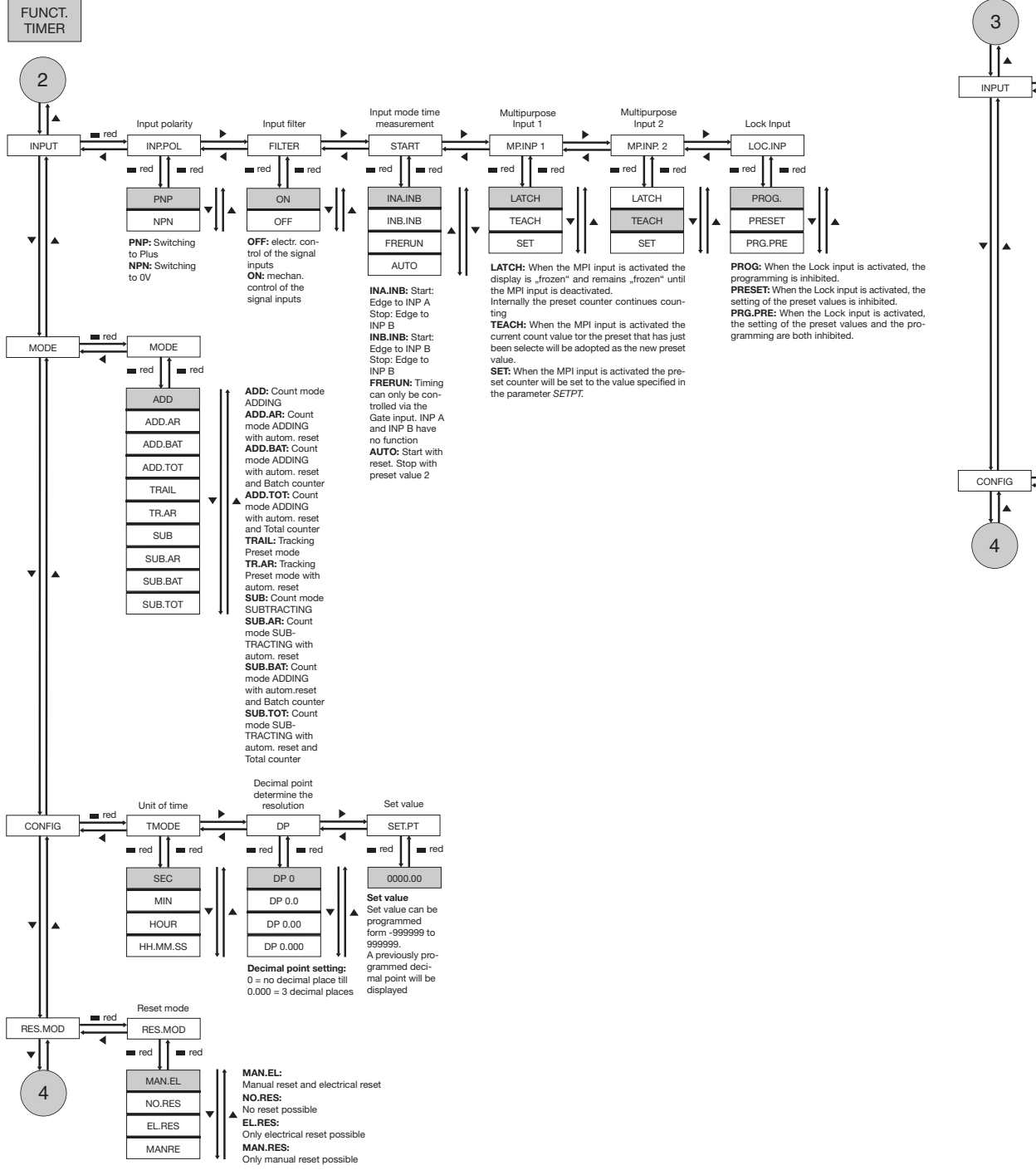
- 1 6-digit LED display
- 2 Status display LED1 / LED2
- 3 RESET key / ENTER key
- 4 Key LEFT
- 5 Key UP
- 6 Key DOWN
- 7 Key RIGHT

FUNCT. COUNT



- MAN.EL:** Manual reset and electrical reset
- NO.RES:** No reset possible
- EL.RES:** Only electrical reset possible
- MAN.RES:** Only manual reset possible





Kübler Group
Fritz Kübler GmbH
 Schubertstrasse 47
 D-78054 Villingen-Schwenningen
 Germany
 Tel: +49 7720 3903-0
 Fax +49 7720 21564
 info@kuebler.com
 www.kuebler.com