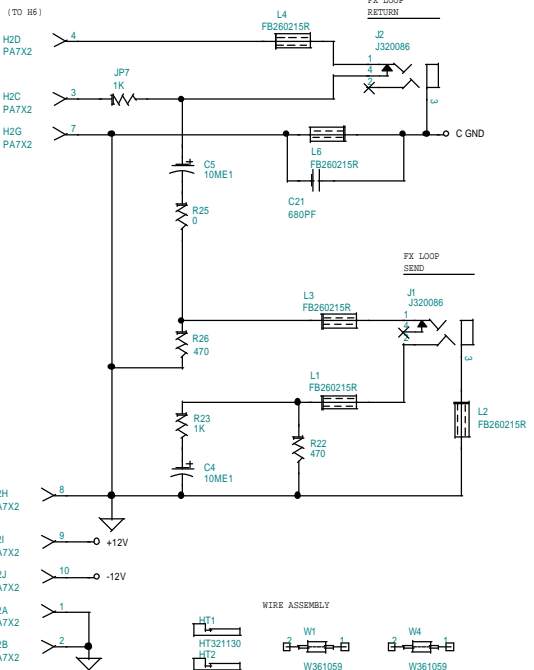


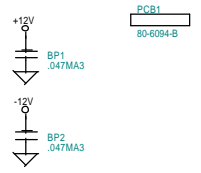
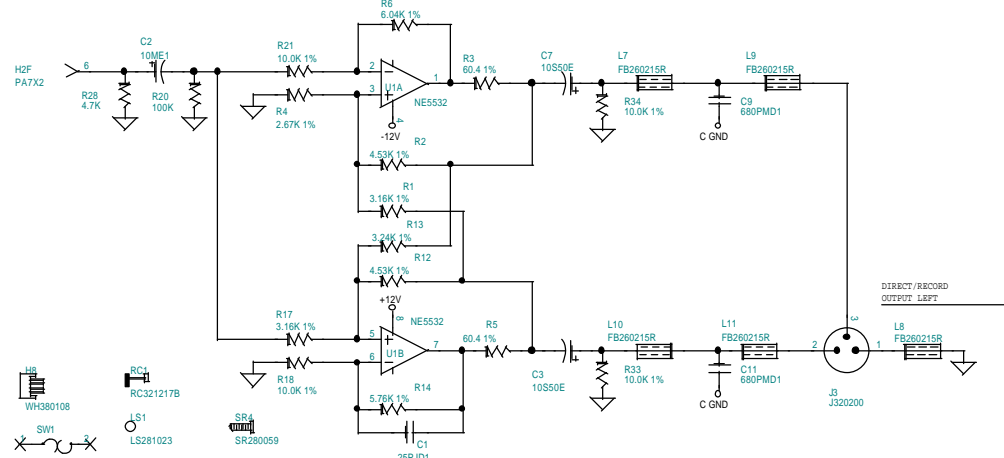
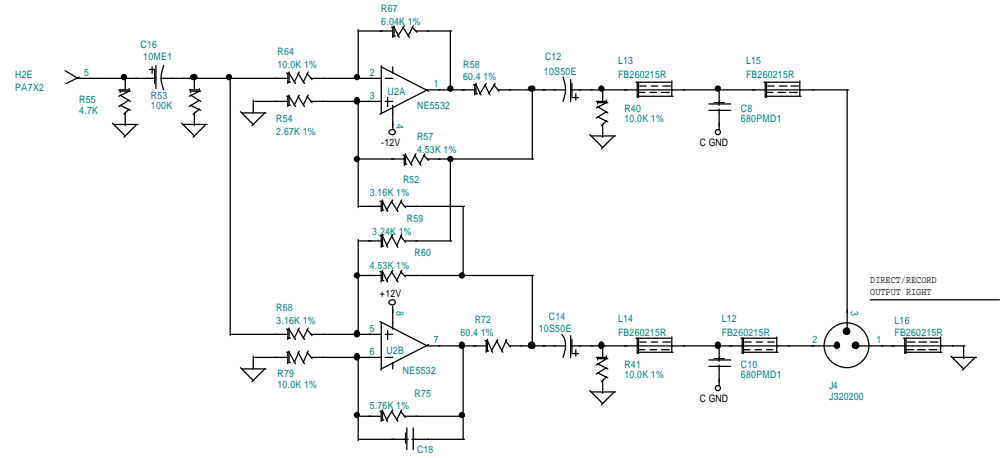
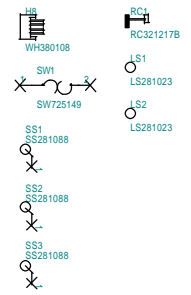
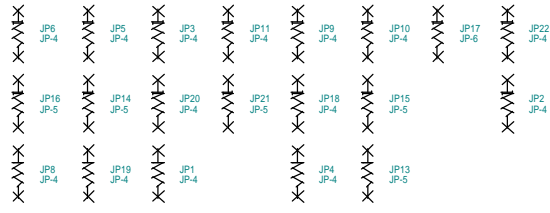
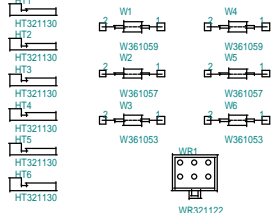
NOTE:

⚠ R46, R63 1 1/4 WATT
METAL-OXIDE FLAMEPROOF

Digitech 8760 South Sandy Parkway Sandy, Utah 84070		
Title JM250H AMP Power/Jack Board 80-6094		
Size B	Document Number 05509480.001	Rev B0
Date: Wednesday, February 23, 2000	Sheet 1 of	2



WIRE ASSEMBLY



Digitech 8760 South Sandy Parkway Sandy, Utah 84070		
Title JM250H AMP Power/Jack Board 80-6094		
Size B	Document Number 05509480.002	Rev B0
Date: Wednesday, February 23, 2000	Sheet 2 of 2	2

2	BP1,BP2	.047MA3	62-0067	0.047 uF Cap 50V 20%	Axial Monolithic
2	C1,C18	25PJD1	62-0001	25 pF Cap 50V 5%	Ceramic Disc T&R
4	C2,C4,C5,C16	10ME1	60-0049-01	10 uF Cap 16V -20/+20%	Elect.,-D Ammo
4	C3,C7,C12,C14	10S50E	60-0090	10 uF Cap 50V -20/+80%	Elect
2	C6,C19	47S63E	60-0301	47 uF Cap 63V -20/+80%	Elect
4	C8,C9,C10,C11	680PMD1	62-0004	680 pF Cap 50V 20%	Ceramic Disc T&R
2	C13,C17	47PJD	62-0019	47 pF Cap 50V 5%	Ceramic Disc
2	C15,C20	.10J	56-0012	.10 uF Cap 50V 5% Stacked Metal Pet 104J ammo	
1	C21	680PF	62-0004	680 pF Cap 50V 20%	Ceramic Disc
4	D1,D4,D8,D11	1N5237B	70-0013	1N5237B Diode Zener Glass, 1/2W, 8.2V, DO-204AH	
4	D2,D5,D9,D10	1N4148R	70-0004	1N4148 Diode Silicon Switching, 75 Volts PIV, RADIAL	
8	D3,D6,D7,D12,D13,D14,D15, D16	1N4005	70-0008	1N4005 Silicon Rectifier	
6	H1,H3,H4,H5,H6,H7	PA1	00-0000	1 Pin Pad Pattern, Not a part	
1	H2	PA7X2	00-0000	7X2 Pin Pad Pattern, Not a part	
1	H8	WH380108	38-0108	Wire Harness Assembly for JM150 Power Amp	
8	HS1,HS2,HS3,HS4,HS5,HS6, HS7,HS8	INS704224	70-4224	Insulator, Pad for Amp chips, JM150 Amp	
1	HS9	HS142785A	14-2785-A	Heatsink, Extruded for JM150 Amp	
6	HT1,HT2,HT3,HT4,HT5,HT6	HT321130	32-1130	Female Crimp Terminal	
2	J1,J2	J320086	32-0086	1/4 Phone Jack, Vertical, Chassis/PCB	
2	J3,J4	J320200	32-0200	XL R Male, Jack Vert Chas/PCB Mount	
4	J5,J6,J7,J8	J320097	32-0097	1/4 Phone Jack, HI Density, Chassis/PCB, Insulate	
14	JP1,JP2,JP3,JP4,JP5,JP6, JP8,JP9,JP10,JP11,JP18, JP19,JP20,JP22	JP-4	50-0050	0 Ohm Res Jump 5% 1/4 Watt Carbon Film, .4" Spacing	
12	JP7,R9,R15,R23,R44,R45, R50,R62,R70,R73,R90,R91	1K	50-0012	1 KOhm Resistor 5% 1/4 Watt Carbon Film	
5	JP13,JP14,JP15,JP16,JP21	JP-5	50-0050	0 Ohm Res Jump 5% 1/4 Watt Carbon Film, .5" Spacing	
1	JP17	JP-6	50-0050	0 Ohm Res Jump 5% 1/4 Watt Carbon Film, .6" Spacing	
15	L1,L2,L3,L4,L6,L7,L8,L9, L10,L11,L12,L13,L14,L15, L16	FB260215R	26-0215	Ferrite Bead, 70ohms @100Mhz, RADIAL	
2	L5,L17	L260195	26-0195	1 uH Air core, 7 amp Inductor	
2	LS1,LS2	LS281023	28-1023	Led Standoff, 0.187" OD x 0.120" ID x 0.170" Length	
1	PCB1	80-6094-B	80-6094-B	DIGITECH AMP JACK PCB, RAW	
4	Q1,Q3,Q16,Q18	TIP142-HR	70-1050	XSTR, TIP142, Darlington Power, NPN, Horizontal REVERSED	
2	Q2,Q17	MPSA06	70-1021	MPSA06 NPN, Gen. Purpose Transistor	
2	Q4,Q15	2N6427	70-1150	2N6427 Darlington	
4	Q5,Q6,Q10,Q14	TIP147-HR	70-1051	TIP147 PNP, TO218 Darlington Power XSTR, Horizontal Reversed	
4	Q7,Q9,Q12,Q13	MPSA56	70-1025	MPSA56 PNP, Gen. Purpose Transistor	
2	Q8,Q11	2N5551	70-1017	2N5551 NPN, Bipolar transistor	
4	R1,R17,R52,R68	3.16K 1%	52-0132	3.16 KOhm Resistor 1% 1/4 Watt Metal Film	
4	R2,R12,R57,R60	4.53K 1%	52-0119	4.53 KOhm Resistor 1% 1/4 Watt Metal Film	
4	R3,R5,R58,R72	60.4 1%	52-0450	60.4 Ohm Resistor 1% 1/4 Watt Metal Film	
2	R4,R54	2.67K 1%	52-0178	2.67 KOhm Resistor 1% 1/4 Watt Metal Film	
2	R6,R67	6.04K 1%	52-0115	6.04 KOhm Resistor 1% 1/4 Watt Metal Film	
4	R7,R38,R77,R94	18K	50-0022	18 KOhm Resistor 5% 1/4 Watt Carbon Film	
8	R8,R27,R29,R42,R76,R82, R84,R93	3.3K	50-0014	3.3 KOhm Resistor 5% 1/4 Watt Carbon Film	
4	R10,R43,R69,R92	750	50-0008	750 Ohm Resistor 5% 1/4 Watt Carbon Film	
12	R11,R16,R28,R35,R39,R49,	4.7K	50-0015	4.7 KOhm Resistor 5% 1/4 Watt Carbon Film	

Bill Of Materials
Quan Reference

April 22, 1998
Part SYMAN

9:52:13
Description

Quan	Reference	Part	SYMAN	Description
	R55,R65,R66,R74,R85,R88			
2	R13,R59	3.24K 1%	52-0124	3.24 KOhm Resistor 1% 1/4 Watt Metal Film
2	R14,R75	5.76K 1%	52-0116	5.76 KOhm Resistor 1% 1/4 Watt Metal Film
8	R18,R21,R33,R34,R40,R41, R64,R79	10.0K 1%	52-0107	10.0 KOhm Resistor 1% 1/4 Watt Metal Film
8	R19,R24,R36,R37,R61,R71, R86,R89	.5 5W	50-3011	.5 Ohm Resistor 5% 5 Watt Wire Wnd Cement
2	R20,R53	100K	50-0036	100 KOhm Resistor 5% 1/4 Watt Carbon Film
2	R22,R26	470	50-0006	470 Ohm Resistor 5% 1/4 Watt Carbon Film
1	R25	0	50-0050	0 Ohm Resistor 5% 1/4 Watt Carbon Film
2	R30,R83	47 2W	50-2166	47 Ohm Resistor 5% 2 Watt Carbon Film
2	R31,R80	1.21K 1%	52-0202	1.21 KOhm Resistor 1% 1/4 Watt Metal Film
2	R32,R81	1.00K 1%	52-0133	1.00 KOhm Resistor 1% 1/4 Watt Metal Film
2	R46,R63	200 1%	52-0376	200 Ohm Resistor 1% 1/4 Watt Metal Film
2	R47,R78	10K	50-0020	10 KOhm Resistor 5% 1/4 Watt Carbon Film
2	R48,R56	2K	50-0013	2 KOhm Resistor 5% 1/4 Watt Carbon Film
2	R51,R87	5 2W	50-2120	5 Ohm Resistor 5% 2 Watt Metal Oxide Film
1	RC1	RC321217B	32-1217-B	14 Pin Ribbon Cable, .1 spacing, 6.25" Length MtoF
3	SR1,SR2,SR3	SR280058	28-0058	Screw, 6-32 x 3/8", Pozi, Pan, Black
2	SR4,SR5	SR280059	28-0059	Screw, 6-32 x 1/4", Pozi, Pan, Black
3	SS1,SS2,SS3	SS281088	28-1088	Swage Standoff, 0.250" Round x 0.1875"H, 6-32
1	SW1	SW725149	72-5149	Thermostat Switch, OA-194QC
2	U1,U2	NE5532	72-4316	5532 Low Noise Dual Op-Amp
2	W1,W4	W361059	36-1059	Wire, 18 AWG, Green, PVC
2	W2,W5	W361057	36-1057	Wire, 18 AWG, Red, PVC
2	W3,W6	W361053	36-1053	Wire, 18 AWG, Black, PVC
1	WR1	WR321122	32-1122	3x2 Wire Receptacle Housing