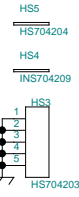
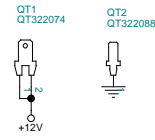
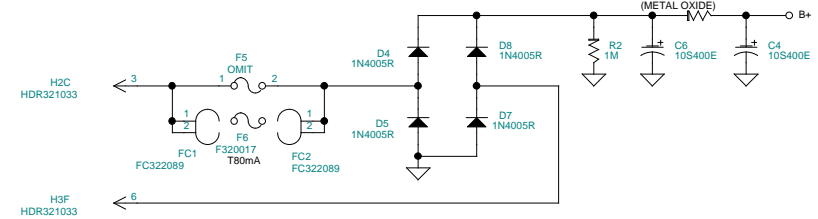
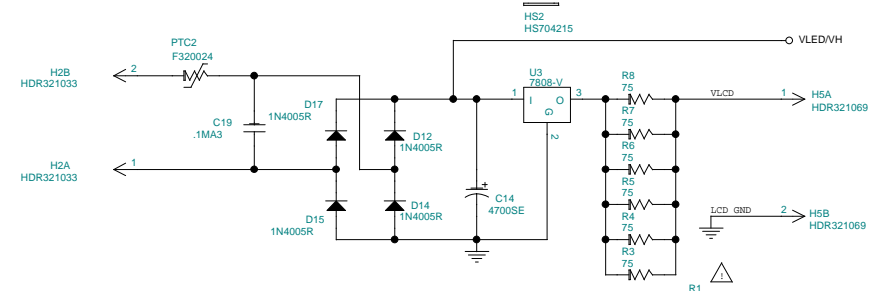
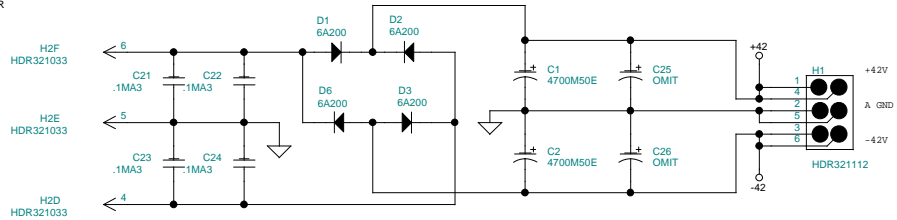
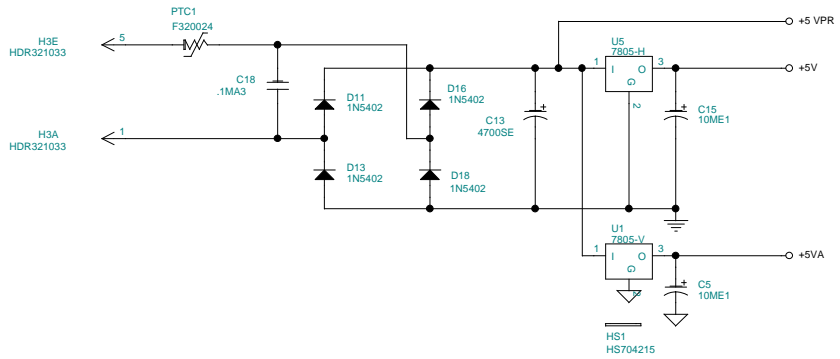
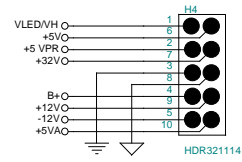
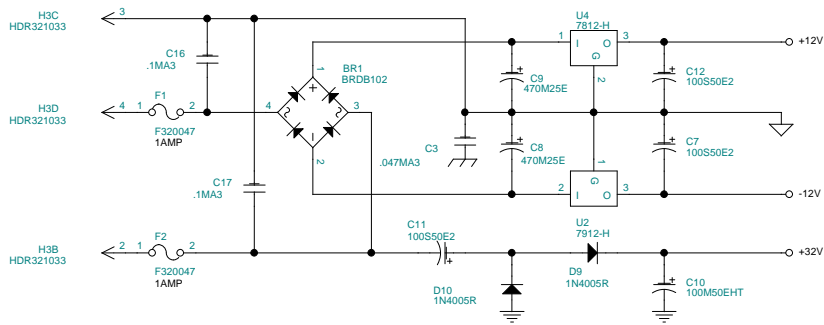


REV	DISCRPTION	ECN	DATE	REV	ECN	DATE
P0	PROTOTYPE, POWER AMP SUPPLY BOARD		12.6.96			
P1	PROTOTYPE, POWER AMP SUPPLY BOARD		3.14.97			
P2	PROTOTYPE, POWER AMP SUPPLY BOARD		4.30.97			
A0	RELEASE TO PRODUCTION REV A0		5.5.97			
A1	ADD HEADER, HEAT SINK AND SCREWS		6.13.97			
A2	CHANGE C7, C12 AND C10 TO NEW VALUES	1704	7.16.97			
X0	INTERMEDIATE PROTOTYPE REV X0		7.23.97			
X1	CHANGE FAN SUPPLY HEADER AND IMPROVE LAYOUT.		8-19-97			
B0	PRODUCTION RELEASE, NEW FOR JM250H		9-11-97			
B1	REPLACE F3 & F4 WITH 2.5 AMP SWITCH (32-0024)	1990	1.22.98			
C0	CHANGE F3 & F4 TO 32-0024, ADD SILKSCREEN ON BOARD	2080	3.11.98			
C1	CHANGE D1,2,3,6 TO 70-0096, ADD 32-2074 FOR QT1, 32-2088 FOR QT2	2114	3.26.98			

|LINK
|056095C1.001

Digitech 8760 South Sandy Parkway Sandy, Utah 84070		
Title JM150 - Power Supply Board 80-6095		
Size B	Document Number 056095C1.000	Rev C1
Date: Tuesday, October 05, 1999 Sheet 0 of 1		



Digitech	
8760 South Sandy Parkway Sandy, Utah 84070	
Title JM150 - Power Supply Board 80-6095	
Size B	Document Number 056095C1.001
Date: Tuesday, October 05, 1999	Sheet 1 of 1
	Rev C1

Quan	Reference	Part	SYMAN	Description
1	BR1	BRDB102	70-0129	Bridge Rectifier
2	C1,C2	4700M50E	60-0305	4700 uF Cap 50V -20/+20% Elect
1	C3	.047MA3	62-0067	0.047 uF Cap 50V 20% Axial Monolithic
2	C4,C6	10S400E	60-0310	10 uF Cap 400V -20/+80% Elect
2	C5,C15	10ME1	60-0049-01	10 uF Cap 16V -20/+20% Elect., -D Ammo
3	C7,C11,C12	100S50E2	60-1013	100 uF Cap 50V -20/+80% Elect-AMMO
2	C8,C9	470M25E	60-0058	470 uF Cap 25V -20/+20% Elect
1	C10	100M50EHT	60-0093	100 uF Cap 50V -20/+20% Elect, 105 C (high temperature)
2	C13,C14	4700SE	60-0062	4700 uF Cap 16V -20/+20% Elect
8	C16,C17,C18,C19,C21,C22, C23,C24	.1MA3	62-0060	.1 uF Cap 50V 20% Ceramic AXL, Z5U, T&R
4	D1,D2,D3,D6	6A200	70-0096	6A 200V Diode
10	D4,D5,D7,D8,D9,D10,D12, D14,D15,D17	1N4005R	70-0017	1N4005 1N4005,Silicon Rectifier, RADIAL
4	D11,D13,D16,D18	1N5402	70-0100	1N5402 Silicon Rectifier, 3Amp, 200 PIV
2	F1,F2	F320047	32-0047	Subminiature fuse (1A)
3	F5,C25,C26	OMIT	00-0000	This part has been omitted
1	F6	F320017	32-0017	Fuse, T80mA 5x20
2	FC1,FC2	FC322089	32-2089	Fuse Clip, 5 x 20mm
1	H1	HDR321112	32-1112	3X2 Pin Vertical Header, .165" Spacing, Dual Row W/Mtg Pegs
2	H2,H3	HDR321033	32-1033	6 Pin Header, 0.20" spacing, 0.045" sq pins Friction Lock
1	H4	HDR321114	32-1114	5X2 Pin Vertical Header, .165" Spacing, Dual Row W/Mtg Pegs
1	H5	HDR321069	32-1069	5 Pin Header, 0.1" spacing, 0.025" sq pins
2	HS1,HS2	HS704215	70-4215	Heatsink, PCB Mount, Vert., for TO-220
1	HS3	HS704203	70-4203	Heatsink, 3 Regulator, U-Shape Base
1	HS4	INS704209	70-4209	Insulator, 3 Regulator Heatsink
1	HS5	HS704204	70-4204	Heatsink, 3 Regulator, Top
1	PCB1	80-6095-C	80-6095-C	DigiTech, JOHNSON AMPLIFICATION, JM150/JM250H PWR PCB, RAW
2	PTC1,PTC2	F320024	32-0024	2.5 AMP, Polyswitch Fuse
1	QT1	QT322074	32-2074	Quick-tab, Terminal, .187 x .032, PC Mount
1	QT2	QT322088	32-2088	Quick-tab, .110 x .032, PC Mount
1	R1	10.2K 1%	52-0106	10.2 KOhm Resistor 1% 1/4 Watt Metal Film
1	R2	1M	50-0045	1 MOhm Resistor 5% 1/4 Watt Carbon Film
6	R3,R4,R5,R6,R7,R8	75	50-0171	75 Ohm Resistor 5% 1/4 Watt Carbon Film
2	SR1,SR2	SR280058	28-0058	Screw, 6-32 x 3/8", Pozi, Pan, Black
2	SR3,SR4	SR280059	28-0059	Screw, 6-32 x 1/4", Pozi, Pan, Black
1	U1	7805-V	70-4014	7805 +5 Volt 1 Amp Voltage Regulator TO-220 VERT
1	U2	7912-H	70-4017	7912 -12 Volt 1 Amp Voltage Regulator TO-220 HORIZ
1	U3	7808-V	70-4020	7808 +8 Volt 1 Amp Voltage Regulator TO-220 VERT
1	U4	7812-H	70-4013	7812 +12 Volt 1 Amp Voltage Regulator TO-220 HORIZ
1	U5	7805-H	70-4014	7805 +5 Volt 1 Amp Voltage Regulator TO-220 HORIZ