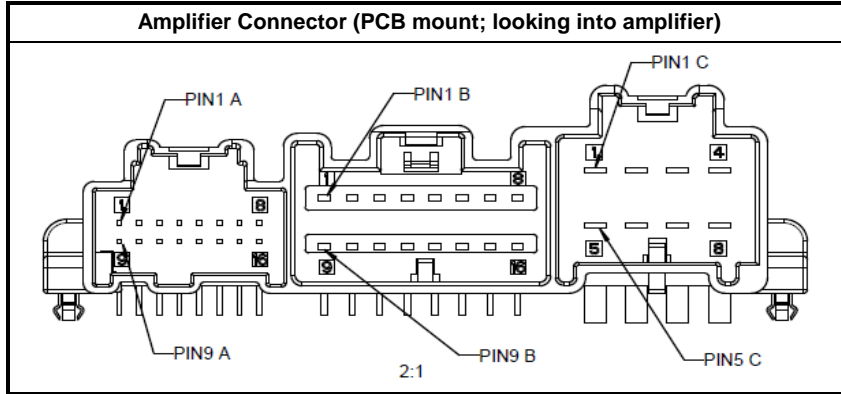


OEM 8 channel amp - 11 speaker (1 pr. front speakers, 1 pr. rear speakers, center channel speaker, and DVC Subwoofer)
Amplifier Pinout

12/5/2014



Harness Side Mating Connectors		
A	Manufacturer	Yazaki
	Plug Housing	7283-9076-30
	Female Terminal	?
B	Manufacturer	Sumitomo
	Plug Housing	6098-4611
	Female Terminal	?
C	Manufacturer	Sumitomo
	Plug Housing	6098-5264
	Female Terminal	?

NC	NC	NC	NC	green/blk 20GA	purpl/blk 20GA	wht/blk 20GA	gray/blk 20GA	NC	blue/wht 18GA	NC	18GA	orange 18GA	white 18GA	gray 18GA	green 18GA	purple 18GA	blue 18GA	yellow 18GA	red 14GA 20AMP fused	black 14GA
NC	NC	NC	NC	Left Rear Input -	Right Rear Input -	Left Front Input -	Right Front Input -	NC	Remote Power On	NC	Center (CH2) +	Left Front (CH4) +	Right Front (CH3) +	Left Rear (CH6) +	Right Rear (CH5) +	Sub 1 (CH8) +	Sub 2 (CH7) +	BATT	GND	
A1	A2	A3	A4	A5	A6	A7	A8	B1	B2	B3	B4	B5	B6	B7	B8	C1	C2	C3	C4	
A9	A10	A11	A12	A13	A14	A15	A16	B9	B10	B11	B12	B13	B14	B15	B16	C5	C6	C7	C8	
NC	NC	NC	NC	Left Rear Input +	Right Rear Input +	Left Front Input +	Right Front Input +	NC	NC	NC	Center (CH2) -	Left Front (CH4) -	Right Front (CH3) -	Left Rear (CH6) -	Right Rear (CH5) -	Sub 1 (CH8) -	Sub 2 (CH7) -	BATT	GND	

Note: Can join battery pins in wire harness

Note: Can join ground pins in wire harness

