



Intellitec

131 Eisenhower Lane N., Lombard, IL 60148
630 268 0010 800 251 2408
www.intellitec.com

Low Voltage Controlled, 120 volt AC Switched Outlet Box

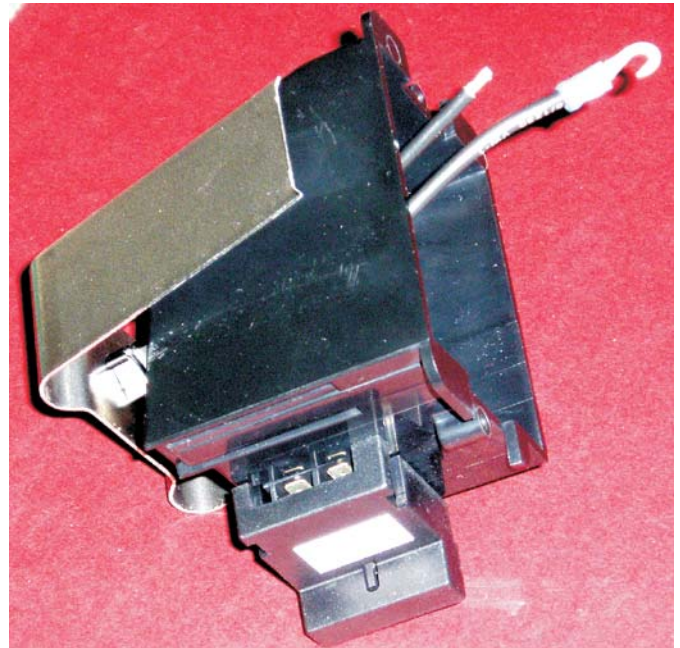
00-00957-000 or -100

The Low Voltage Controlled, 120 Volt AC Switched Outlet Box is intended to be an interface between a 12 volt DC control signal and a controlled 120 volt AC load. It provides isolation between these two circuits to prevent any shock hazard. The unit is available in two versions, one with normally closed contacts (00-00957-000) and one with normally open contacts (00-00957-100).

One of its typical applications is as a TV interlock for an RV to prevent the front-mounted television from operating while the ignition is turned on. In this application, the normally closed contact version is used to supply the power to the TV. The coil of the relay is fed from the an ignition source. When the ignition is turned on, the power to the TV is interrupted, preventing it from operating when the engine is on.

The normally open contact version is typically used to allow the control of a 120 volt AC load by a twelve volt signal. With this version, a 12 volt DC signal is applied to coil, the relay then closes applying power to the load.

The unit will mount in a panel up to 3/8" thick. It is intended to be used with 12 or 14 gauge, non-metallic sheathed cable (commonly known as Romex).



Part No. 00-00957-XXX



131 Eisenhower Lane N., Lombard, IL 60148
630 268 0010 800 251 2408
www.intellitec.com

Low Voltage Controlled, 120 volt AC Switched Outlet Box

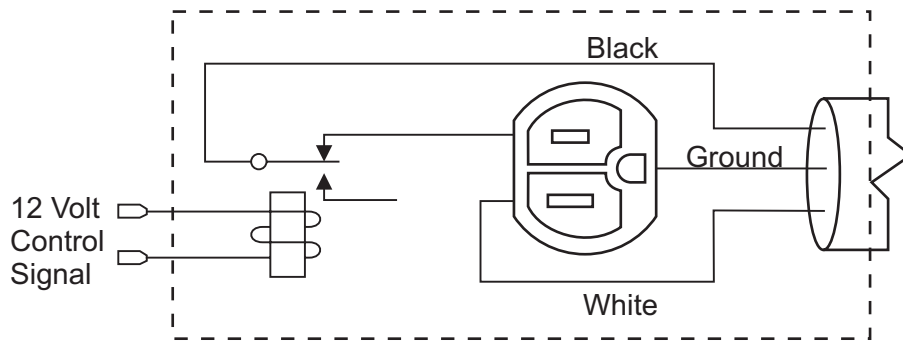
00-00957-000 or -100

SPECIFICATIONS

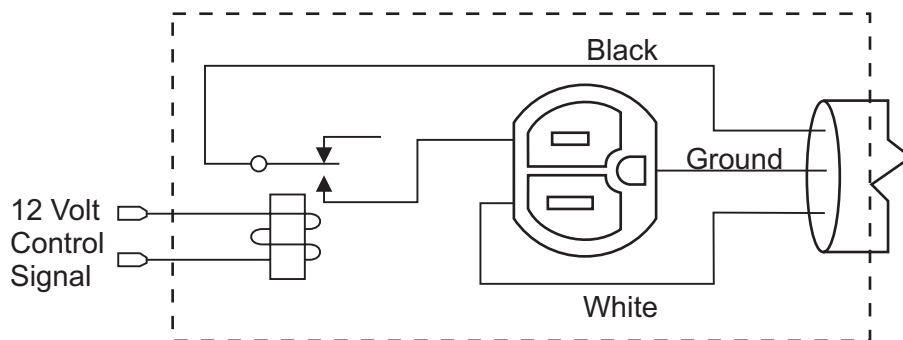
Part Number: 00-00957-000 (Normally-Closed Version)/-100 (Normally-Open Version)

Control Voltage:	12 VDC
Maximum Control Voltage:	15 VDC
Maximum Carry Current:	20 Amps (Resistive), 15Amps (General Purpose), TV-3 @120Vac
Environmental Temperature:	-20 to +40 C
Mounting Environment:	weather protected area

Typical Connection



Part No. 00-00957-000



Part No. 00-00957-100