

Road Commander 7" Touchscreen

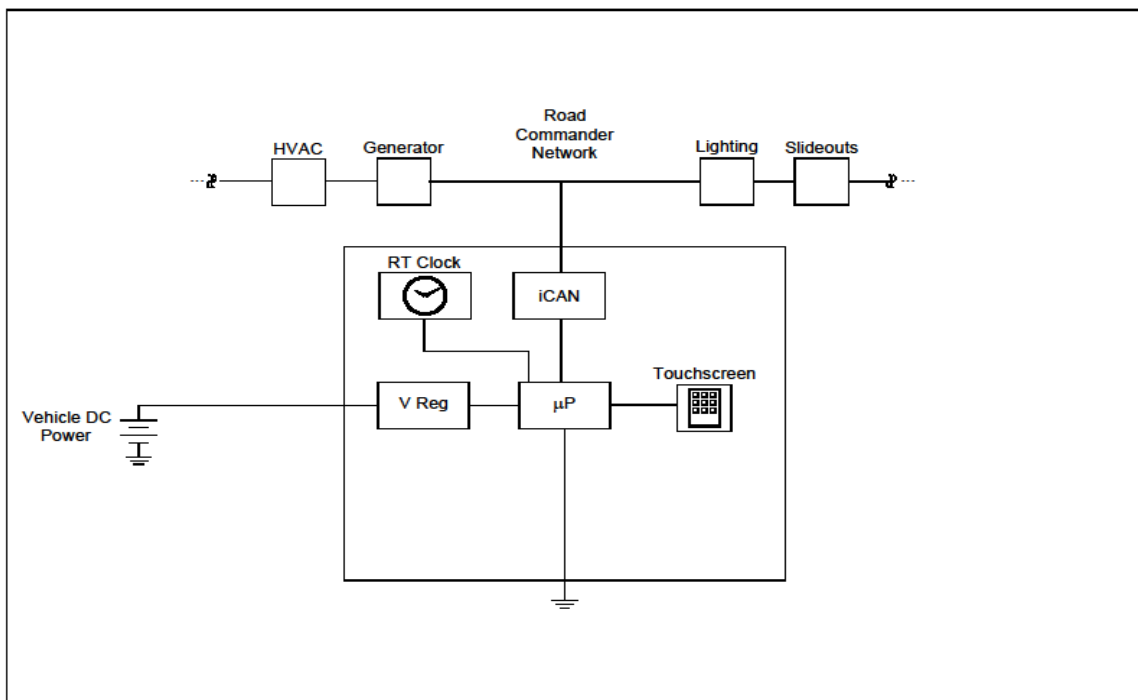
Part number: 00-01106-000



Description:

The 1106 Road Commander touchscreen is a capacitive touch, configurable, user interface display that can control all aspects of the Road Commander network. The touchscreen support both dimming and non-dimming outputs, slide outs, awnings generators and HVAC controls as well as monitors battery levels and tank levels. It offers custom labeling for outputs and backgrounds that the user can set from the settings menu. A built in real time clocks displays the date and time in a number of configurations. The lighting screen features filters to help locate specific lighting controls such as separating interior from exterior. It also features scene buttons which automatically set the lighting to a preconfigured setting such as movie, or party scene. Each scene is configurable by the user so it can be tailored to the needs.

Typical Installation



Typical Arrangement

Product Features:

- Capacitive Touch for smooth scrolling responsive triggering
- Hardwires CAN communication port
- Field configurable to match any application
- User customization features
- 380 cd/m² Brightness
- 70° Viewing angle
- Real time feedback
- System diagnostics menu
- Real time clock
- Reset and Display off input signals
- CAN termination jumpers for easy system integration

Environmental Specifications

Operating temp: -0/50 deg C (32/122 deg F)

Intrusion: None

Agency approvals: None

Electrical Specifications	Unit	Min	Typ	Max
Operating supply voltage	V	9	12	28
Reverse supply voltage	V			-36
Active Current Draw	mA			750
Suspended Current Draw	mA			300

Mechanical Specifications

Display Size: 7.3 x 4.8 x 1.2 in. / 187 x 124 x 31 mm (WxHxD)

Connectors: J3, 6-way Molex Mini-Fit Jr.

1 Power	4 Reset
2 CAN H	5 Display Off
3 CAN L	6 Ground

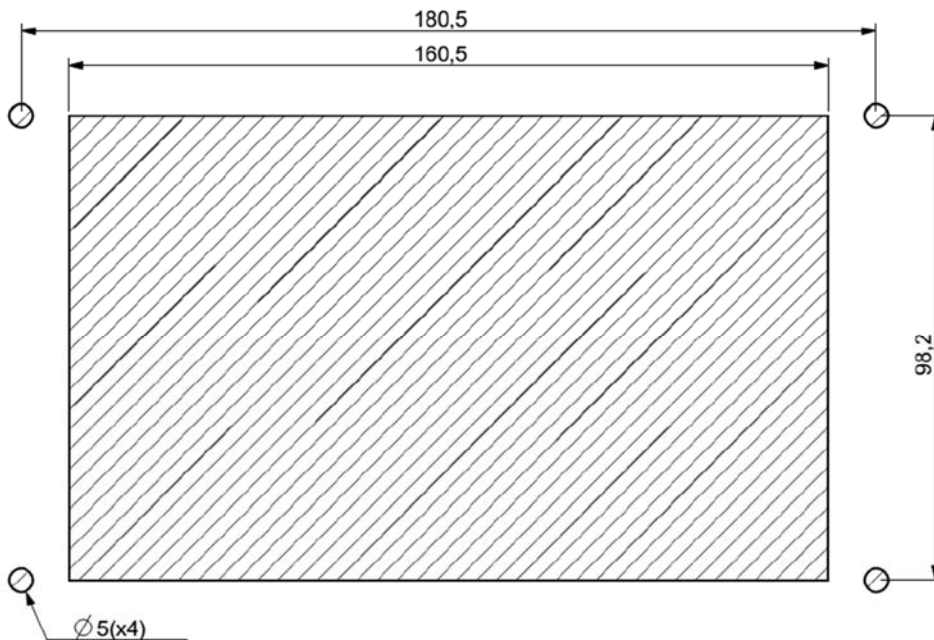
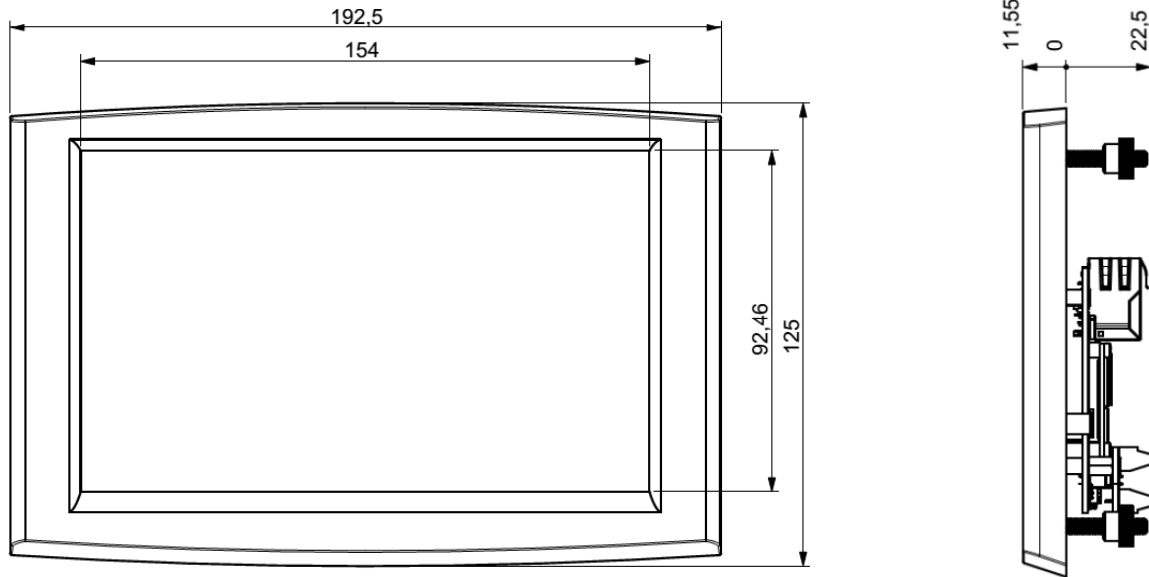
J1, 4-way Molex Mini-Fit Jr.

1 RV-C H	3 N/C
2 RV-C L	4 N/C



Harness: Pig-tail and/or terminator part number
6-way Wiring Pig-tail (J3) 11-01106-006

Mounting Specifications:



All dimensions are shown in millimeters

The touchscreen is supplied with 4 threaded nylon studs which should be screwed into the rear of the touchscreen in the 4 M4 brass inserts. Once the mounting location is created, use the supplied 4 thumb nut screws onto the nylon studs by hand. Do not over tighten as it may cause the nylon studs to break.



Available Product Literature and Guides:

Brochure:	53-01106-000
Product Specification:	53-01106-001
User's Guide:	53-01106-100
Installation and Applications:	53-01106-200
Supporting Documents:	53-01106-300

Contact Information: www.intellitec.com

Intellitec Products, LLC 1485 Jacobs Road, De Land Florida, USA 32724
(386) 738-7307

