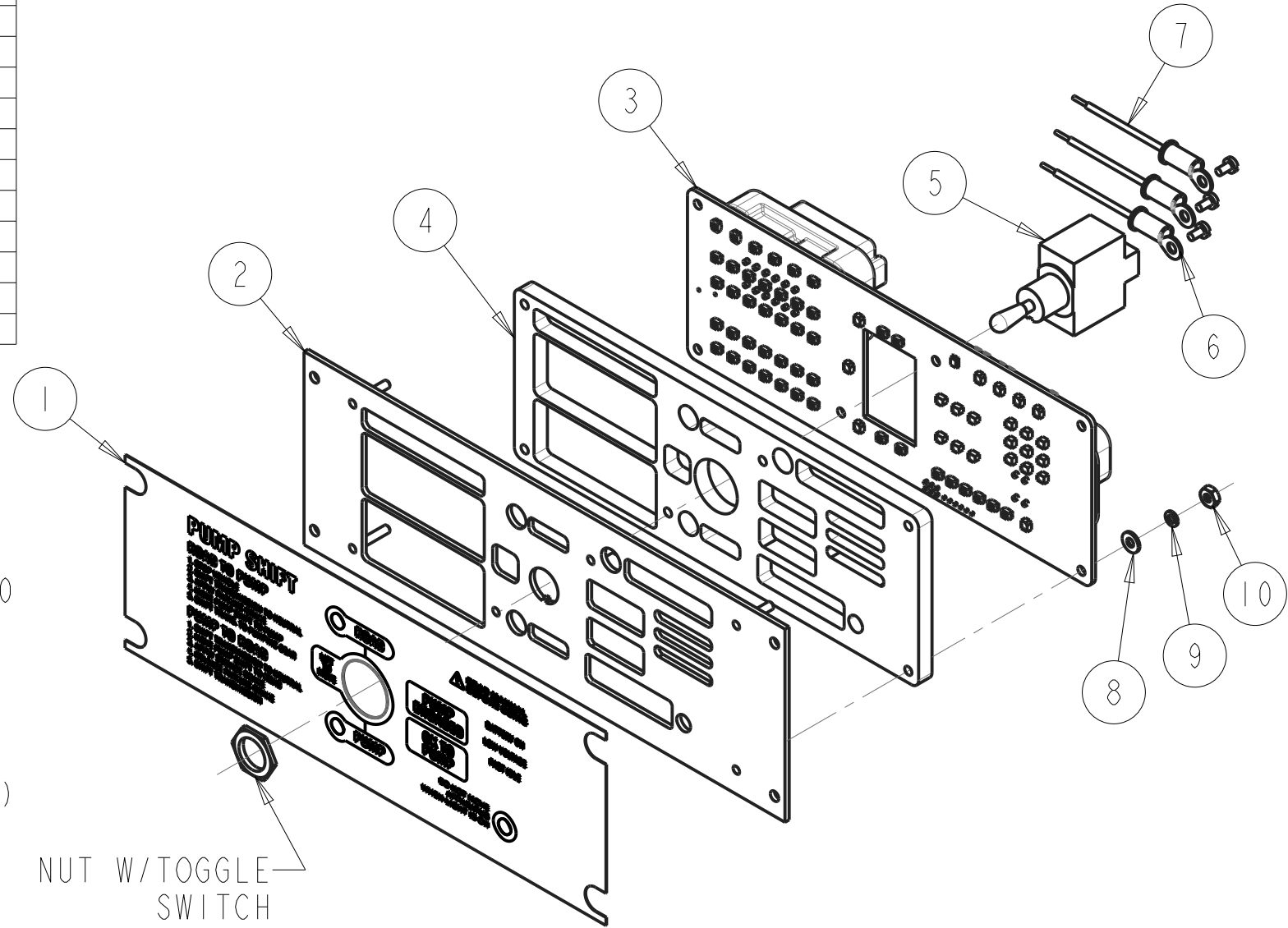


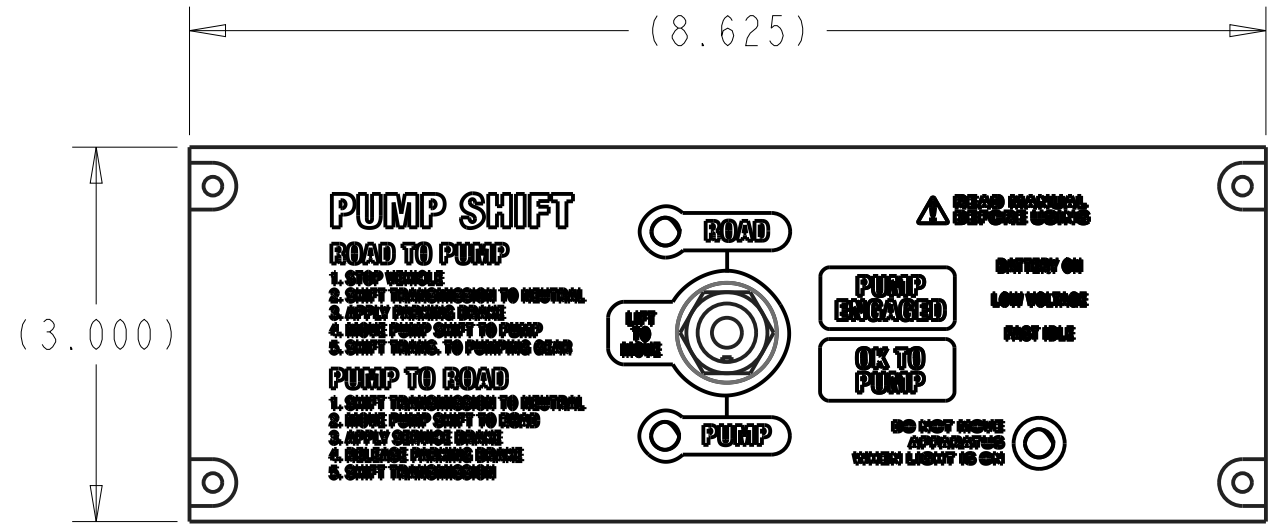
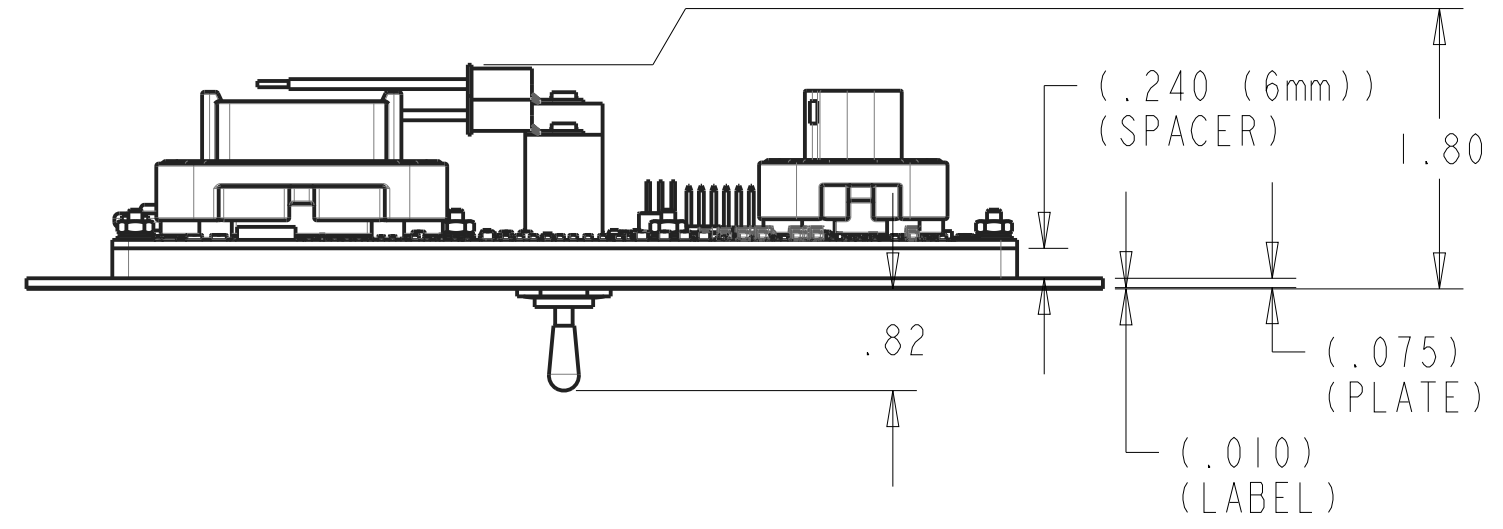
BILL OF MATERIAL

ITEM	QTY PER	PART No.	CODE	DESCRIPTION	SUPPLIER PART No.
1	1	3009134	MFG	LABEL, HME, PUMP SHIFT, ROAD-TO-PUMP (TOP), PUMP-TO-ROAD (BOTTOM)	
2	1	3009135	MFG	PANEL, HME, PUMP SHIFT, ROAD-TO-PUMP (TOP), PUMP-TO-ROAD (BOTTOM), W/STUDS	
3	1	4070195-REV-1-0		PCB, REV 1.0	
4	1	3009136	MFG	SPACER, HME, PUMP SHIFT	
5	1	4007028	PUR	SWITCH, TOGGLE, SPDT, ON/OFF/ON, LOCK3 POS, HONEYWELL	ITLI-1A
6	3	4008134	PUR	RING TERMINAL, RED HEAT SHRINK, 22-18 GA., #10 STUD, 3M#	WAYTEK# 30903
7	3	4012010-0	PUR	18 AWG BLACK WIRE	WL18-0
8	6	4050889	PUR	WASHER, FLAT, #4, SS, .031 THICK, FASTENAL	1171003
9	6	4050890	PUR	WASHER, LOCK, #4, SS, FASTENAL	1171053
10	6	4050907	PUR	NUT, HEX, #4-40, STAINLESS, FASTENAL	70704

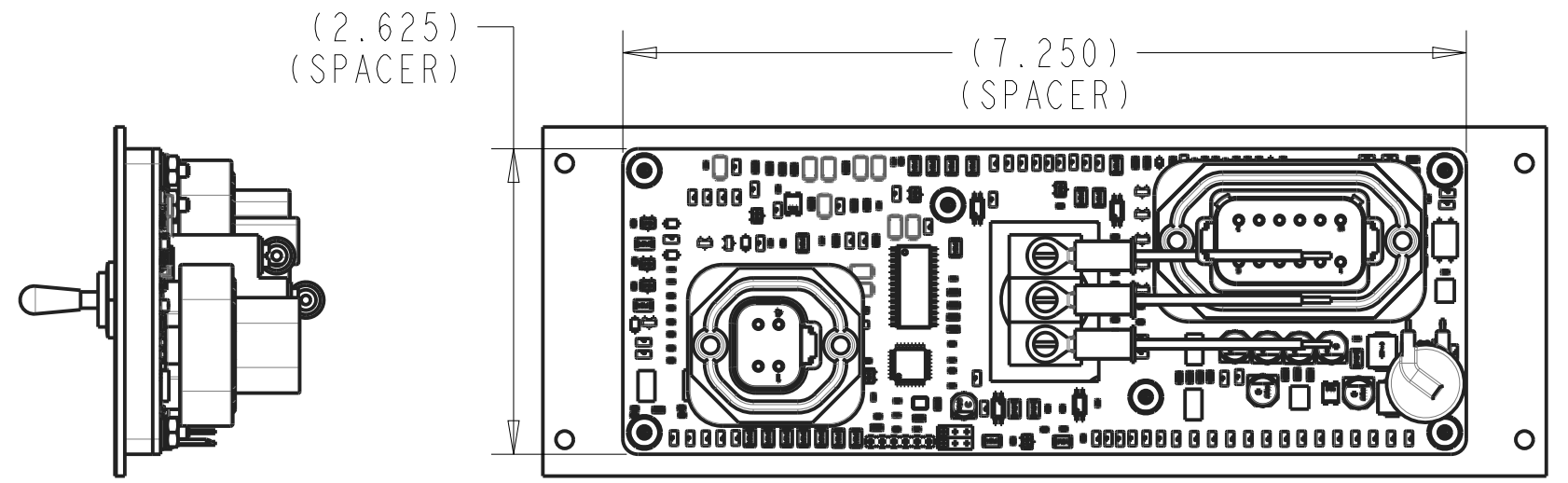


NUT W/TOGGLE SWITCH

SCALE 0.500



SCALE 0.650



DESCRIPTION	
ASSEMBLY, HME, LABEL ON PANEL, W/SPACER, PUMP SHIFT ROAD-TO-PUMP (TOP), PUMP-TO-ROAD (BOTTOM)	

ic INNOVATIVE CONTROLS, INC.
 560 Braddock Avenue
 East Pittsburgh, PA 15112
 (412)-824-2264 FAX (412)-824-2339

REV	BY	APP	CHANGE DESCRIPTION	DATE
X1	PJS	---	INITIAL RELEASE	May-10-18
X2	PJS	---	PANEL & STUDS COMBINED INTO PART NUMBER	***-**-**
X3	---	---	ADD BOARD	5/18/18

SHEET 1 OF 1

REV X3 **3050658-68**

IMPORTANT NOTE
 THIS DOCUMENT IS CONFIDENTIAL PROPERTY OF INNOVATIVE CONTROLS INC. IT IS NOT TO BE USED OR REPRODUCED IN ANY MANNER NOR SUBMITTED TO OTHER PARTIES FOR EXAMINATION WITHOUT THE PRIOR APPROVAL OF INNOVATIVE CONTROLS INC. ALL RIGHTS OF DESIGN AND INVENTION ARE RESERVED.

TOLERANCES UNLESS OTHERWISE NOTED
 .XX ± .01 .XXX ± .005
 FRAC. ± 1/64 ANG. ± 1/2

SHEET SIZE B