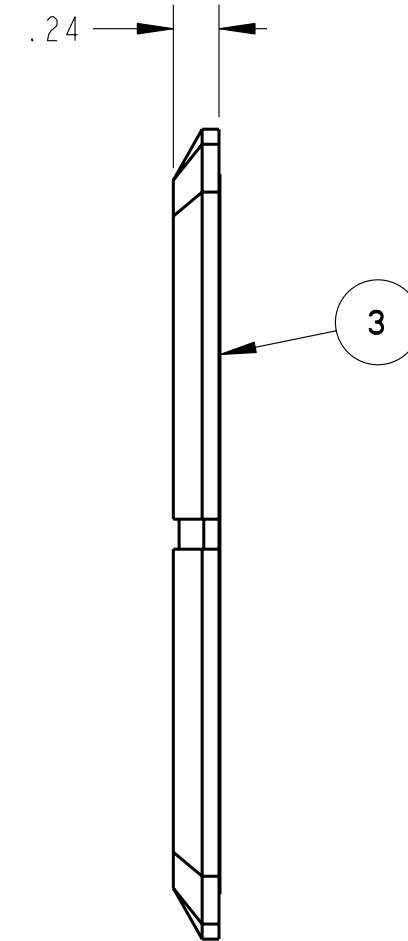
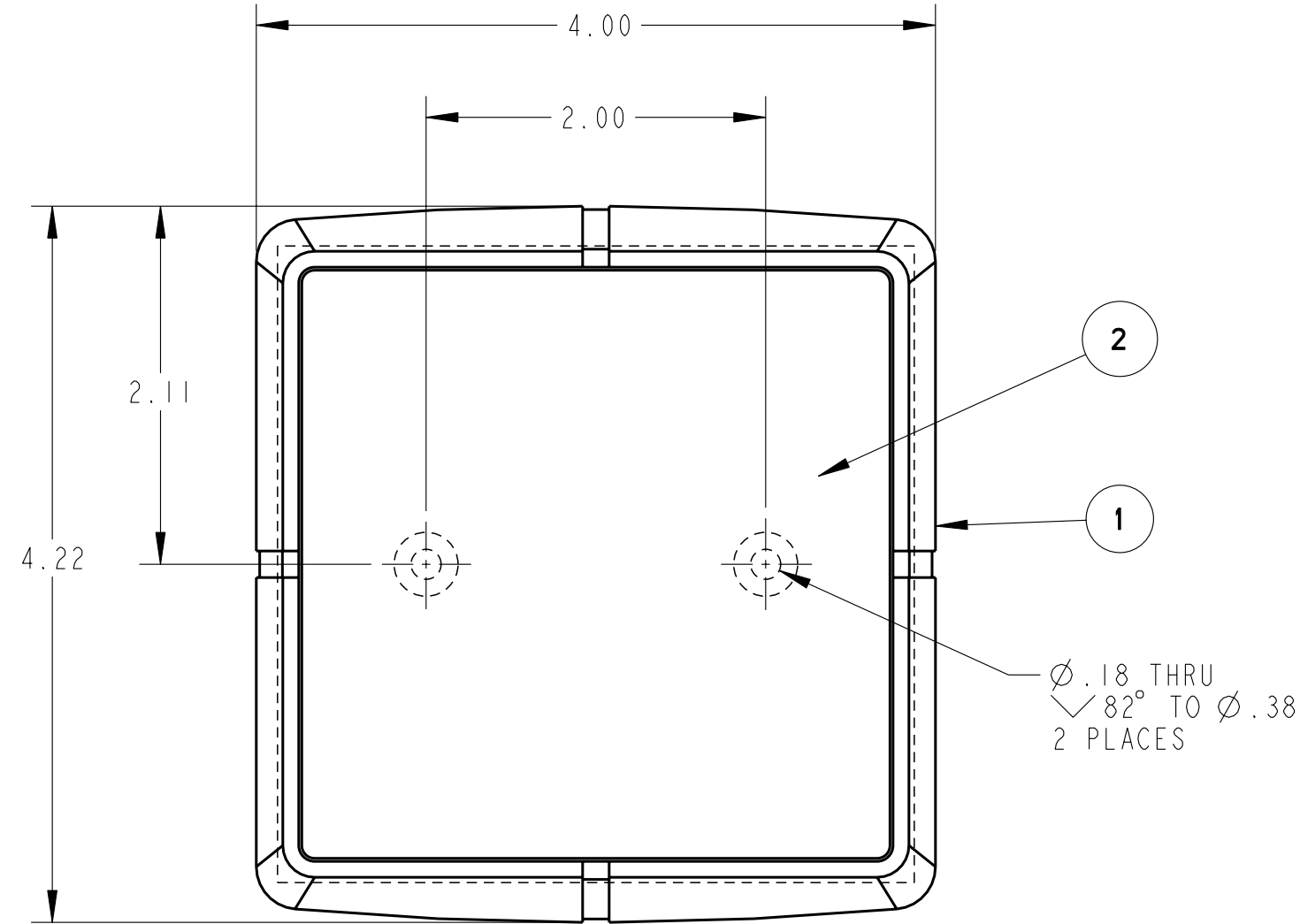


| BILL OF MATERIAL |         |          |      |                                  |       |             |
|------------------|---------|----------|------|----------------------------------|-------|-------------|
| ITEM             | QTY PER | PART No. | CODE | DESCRIPTION                      | MAT'L | FIN WT EACH |
| 1                | 1       | 3001469  | MFG  | BEZEL, MESSAGE - SIZE D          | TBD   | TBD         |
| 2                | 1       | 3001497  | MFG  | LABEL, MESSAGE BEZEL - SIZE E    | TBD   | TBD         |
| 3                | 1       | 3001499  | MFG  | ADHESIVE, MESSAGE BEZEL - SIZE E | TBD   | TBD         |



MESSAGE LABEL TEXT  
 (PER IC MESSAGE LIST 2000022)

IC P/N 3001498-XXXX  
**NOMENCLATURE**

DESCRIPTION  
**IC SWOOP SERIES IDENTIFICATION PRODUCT  
 ASSEMBLY, MESSAGE BEZEL - SIZE E**



**INNOVATIVE CONTROLS, INC.**  
 560 Braddock Avenue  
 East Pittsburgh, PA 15112  
 (412)-824-2264 FAX (412)-824-2339

| REV | BY  | APP | CHANGE DESCRIPTION | DATE      |
|-----|-----|-----|--------------------|-----------|
| A   | DLE | --- | INITIAL RELEASE    | 08-Nov-06 |
| -   | --- | --- | -                  | ***-**-** |
| -   | --- | --- | -                  | ***-**-** |

SHEET 1 OF 1  
 REV  
**A**  
**3001498-C-A**

TOLERANCES  
 UNLESS OTHERWISE NOTED  
 .XX ± .01 .XXX ± .005  
 FRAC. ± 1/64 ANG. ± 1/2

SHEET SIZE  
**B**

**IMPORTANT NOTE**  
 THIS DOCUMENT IS CONFIDENTIAL PROPERTY OF INNOVATIVE CONTROLS INC. IT IS NOT TO BE USED OR REPRODUCED IN ANY MANNER NOR SUBMITTED TO OTHER PARTIES FOR EXAMINATION WITHOUT THE PRIOR APPROVAL OF INNOVATIVE CONTROLS INC. ALL RIGHTS OF DESIGN AND INVENTION ARE RESERVED.