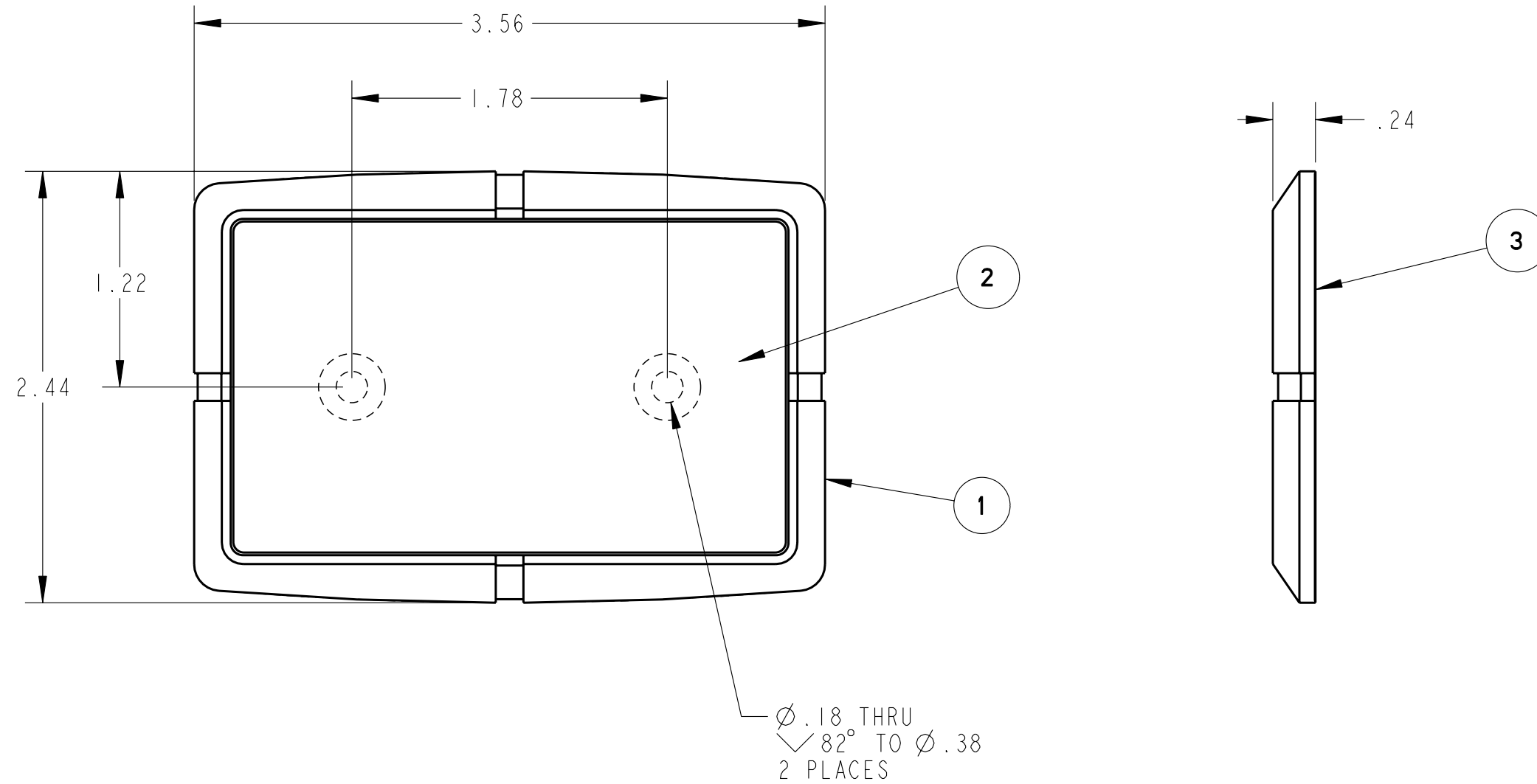


BILL OF MATERIAL						
ITEM	QTY PER	PART No.	CODE	DESCRIPTION	MAT'L	FIN WT EACH
1	1	3000586	MFG	BEZEL, MESSAGE - SIZE D	TBD	TBD
2	1	3000588	MFG	LABEL, MESSAGE BEZEL - SIZE D	TBD	TBD
3	1	3000589	MFG	ADHESIVE, MESSAGE BEZEL - SIZE D	TBD	TBD

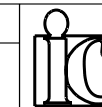


MESSAGE LABEL TEXT
(PER IC MESSAGE LIST 2000022)

IC P/N 3000587-XXXX
NOMENCLATURE

DESCRIPTION
IC SWOOP SERIES IDENTIFICATION PRODUCT
ASSEMBLY, MEDIUM MESSAGE BEZEL - SIZE D

REV	BY	APP	CHANGE DESCRIPTION	DATE
A	DLE	---	INITIAL RELEASE	05-09-03
-	---	---	-	***-**-**
-	---	---	-	***-**-**



INNOVATIVE CONTROLS, INC.
560 Braddock Avenue
East Pittsburgh, PA 15112
(412)-824-2264 FAX (412)-824-2339

SHEET 1 OF 1

REV
A

3000587-C-A

IMPORTANT NOTE

THIS DOCUMENT IS CONFIDENTIAL PROPERTY OF INNOVATIVE CONTROLS INC. IT IS NOT TO BE USED OR REPRODUCED IN ANY MANNER NOR SUBMITTED TO OTHER PARTIES FOR EXAMINATION WITHOUT THE PRIOR APPROVAL OF INNOVATIVE CONTROLS INC. ALL RIGHTS OF DESIGN AND INVENTION ARE RESERVED.

SHEET SIZE
B

TOLERANCES
UNLESS OTHERWISE NOTED
.XX ± .01 .XXX ± .005
FRAC. ± 1/64 ANG. ± 1/2