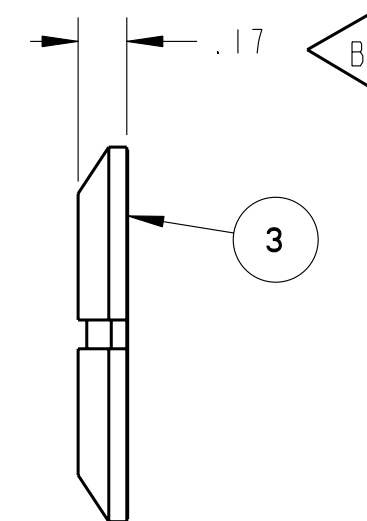
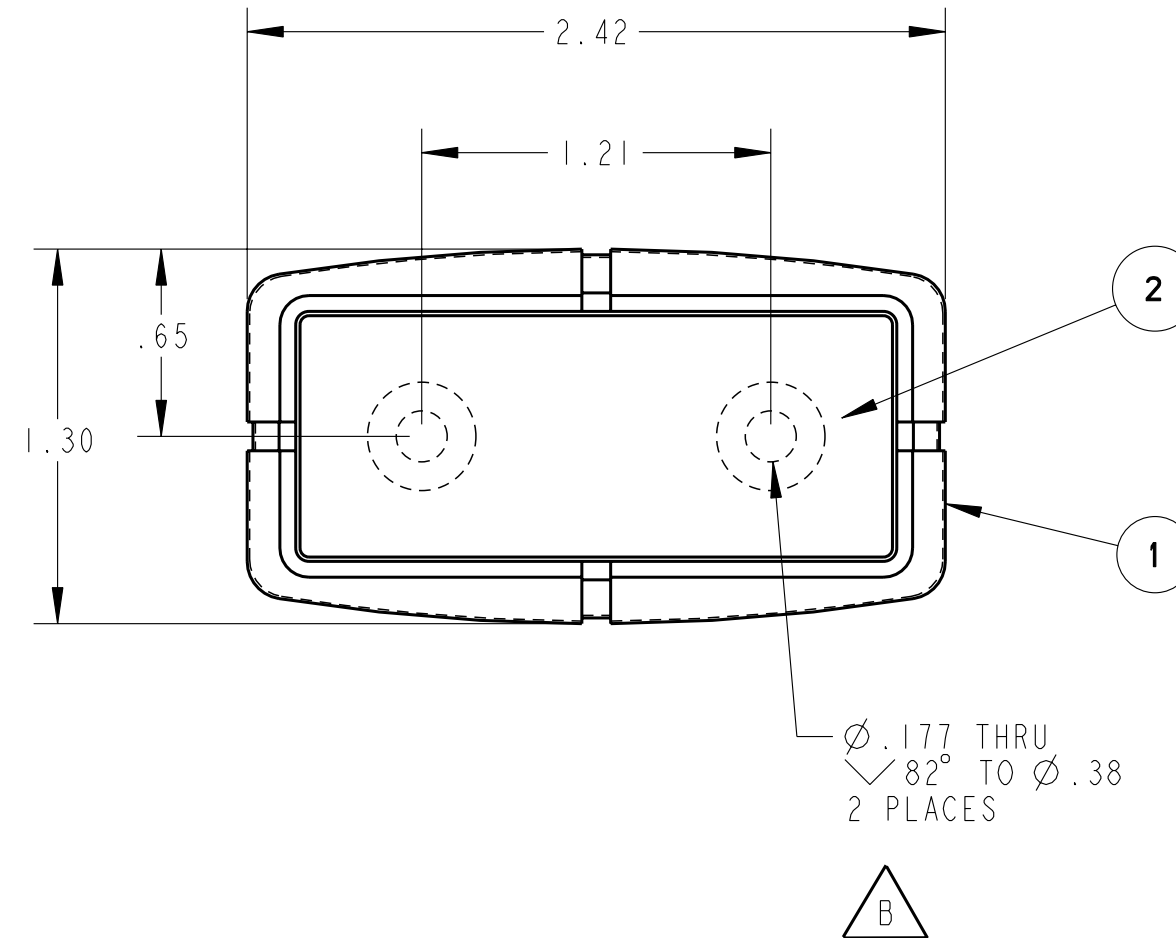


**BILL OF MATERIAL**

ITEM	QTY PER	PART No.	CODE	DESCRIPTION	MAT'L	FIN WT EACH
1	1	3000583	MFG	BEZEL, MESSAGE - SIZE C	TBD	TBD
2	1	3000584	MFG	LABEL, MESSAGE BEZEL - SIZE C	TBD	TBD
3	1	3000585	MFG	ADHESIVE, MESSAGE BEZEL - SIZE C	TBD	TBD



MESSAGE LABEL TEXT  
(PER IC MESSAGE LIST 2000022)

IC P/N 3000582-XXXX  
**NOMENCLATURE**

Ø .177 THRU  
82° TO Ø .38  
2 PLACES



**DESCRIPTION**  
IC SWOOP SERIES IDENTIFICATION PRODUCT  
ASSEMBLY, SMALL MESSAGE BEZEL - SIZE C

**ic** INNOVATIVE CONTROLS, INC.  
560 Braddock Avenue  
East Pittsburgh, PA 15112  
(412)-824-2264 FAX (412)-824-2339

REV	BY	APP	CHANGE DESCRIPTION	DATE
A	DLE	---	INITIAL RELEASE	22-Feb-03
B	DLE	---	.17 WAS .338; COUNTERSINK WAS COUNTERBORE	03-18-03
-	---	---	-	** - ** - **

SHEET 1 OF 1

REV  
**B**

**3000582-C-B**

TOLERANCES  
UNLESS OTHERWISE NOTED  
.XX ± .01 .XXX ± .005  
FRAC. ± 1/64 ANG. ± 1/2

SHEET SIZE  
**B**

**IMPORTANT NOTE**  
THIS DOCUMENT IS CONFIDENTIAL PROPERTY OF INNOVATIVE CONTROLS INC. IT IS NOT TO BE USED OR REPRODUCED IN ANY MANNER NOR SUBMITTED TO OTHER PARTIES FOR EXAMINATION WITHOUT THE PRIOR APPROVAL OF INNOVATIVE CONTROLS INC. ALL RIGHTS OF DESIGN AND INVENTION ARE RESERVED.