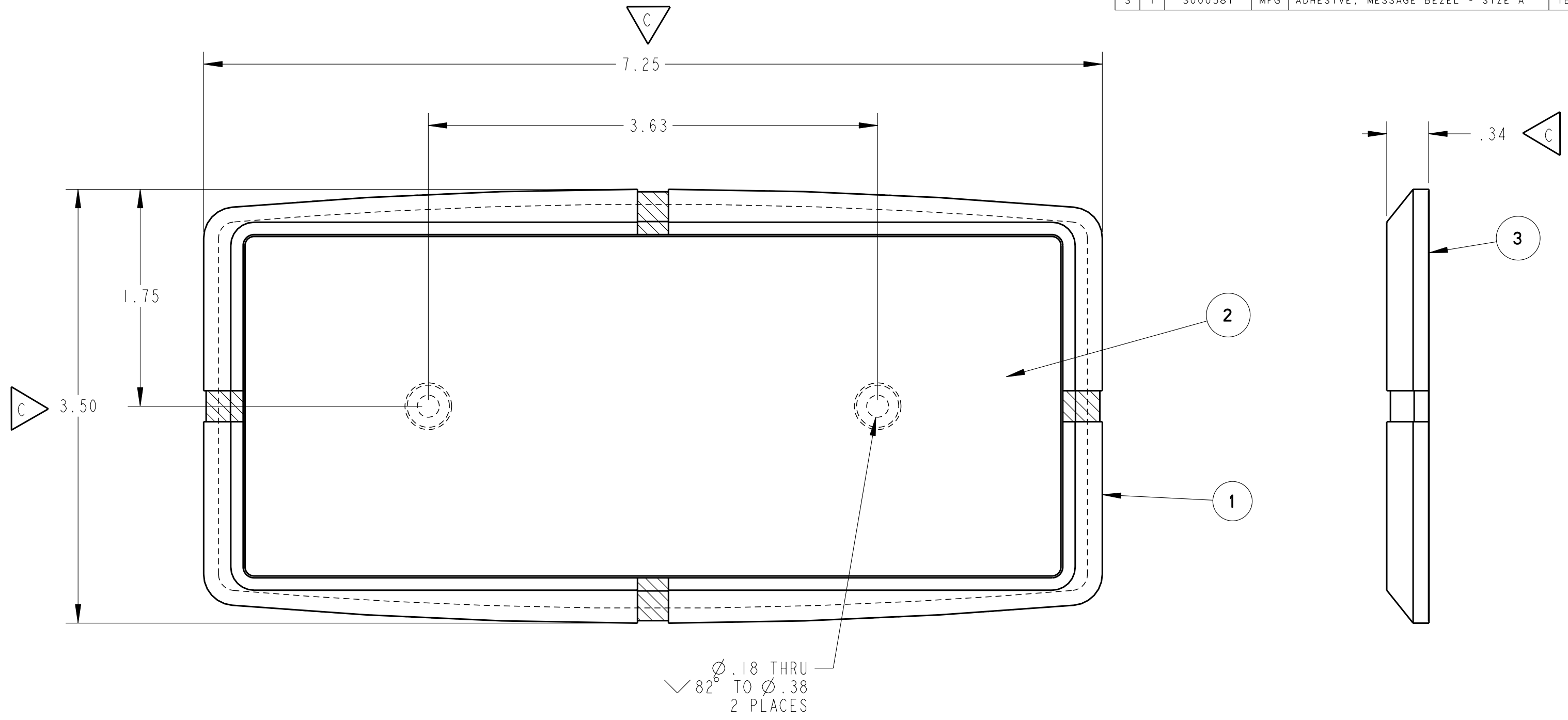


| BILL OF MATERIAL |         |          |      |                                  |       |             |
|------------------|---------|----------|------|----------------------------------|-------|-------------|
| ITEM             | QTY PER | PART No. | CODE | DESCRIPTION                      | MAT'L | FIN WT EACH |
| 1                | 1       | 3000577  | MFG  | BEZEL, MESSAGE - SIZE A          | TBD   | TBD         |
| 2                | 1       | 3000578  | MFG  | LABEL, MESSAGE BEZEL - SIZE A    | TBD   | TBD         |
| 3                | 1       | 3000581  | MFG  | ADHESIVE, MESSAGE BEZEL - SIZE A | TBD   | TBD         |



MESSAGE LABEL TEXT  
(PER IC MESSAGE LIST 2000022)

IC P/N 3000576-XXXX  
**NOMENCLATURE**

**IMPORTANT NOTE**  
THIS DOCUMENT IS CONFIDENTIAL PROPERTY OF INNOVATIVE CONTROLS INC. IT IS NOT TO BE USED OR REPRODUCED IN ANY MANNER NOR SUBMITTED TO OTHER PARTIES FOR EXAMINATION WITHOUT THE PRIOR APPROVAL OF INNOVATIVE CONTROLS INC. ALL RIGHTS OF DESIGN AND INVENTION ARE RESERVED.

SHEET SIZE  
**B**

TOLERANCES  
UNLESS OTHERWISE NOTED  
.XX ± .01 .XXX ± .005  
FRAC. ± 1/64 ANG. ± 1/2

| DESCRIPTION   |     |     |   |           |
|---|-----|-----|---|-----------|
| IC SWOOP SERIES IDENTIFICATION PRODUCT ASSEMBLY, EXTRA LARGE MESSAGE BEZEL - SIZE A |     |     |   |           |
| REV   | BY  | APP | CHANGE DESCRIPTION                        | DATE      |
| A   | DLE | --- | INITIAL RELEASE                           | 22-Feb-03 |
| B   | DLE | --- | .44 WAS .338; COUNTERSINK WAS COUNTERBORE | 03-18-03  |
| C   | DLE | --- | 3.50 WAS 3.75; 7.25 WAS 7.38; .34 WAS .44 | 03-27-03  |

**ic** INNOVATIVE CONTROLS, INC.  
560 Braddock Avenue  
East Pittsburgh, PA 15112  
(412)-824-2264 FAX (412)-824-2339

SHEET 1 OF 1

REV **C** **3000576-C-C**