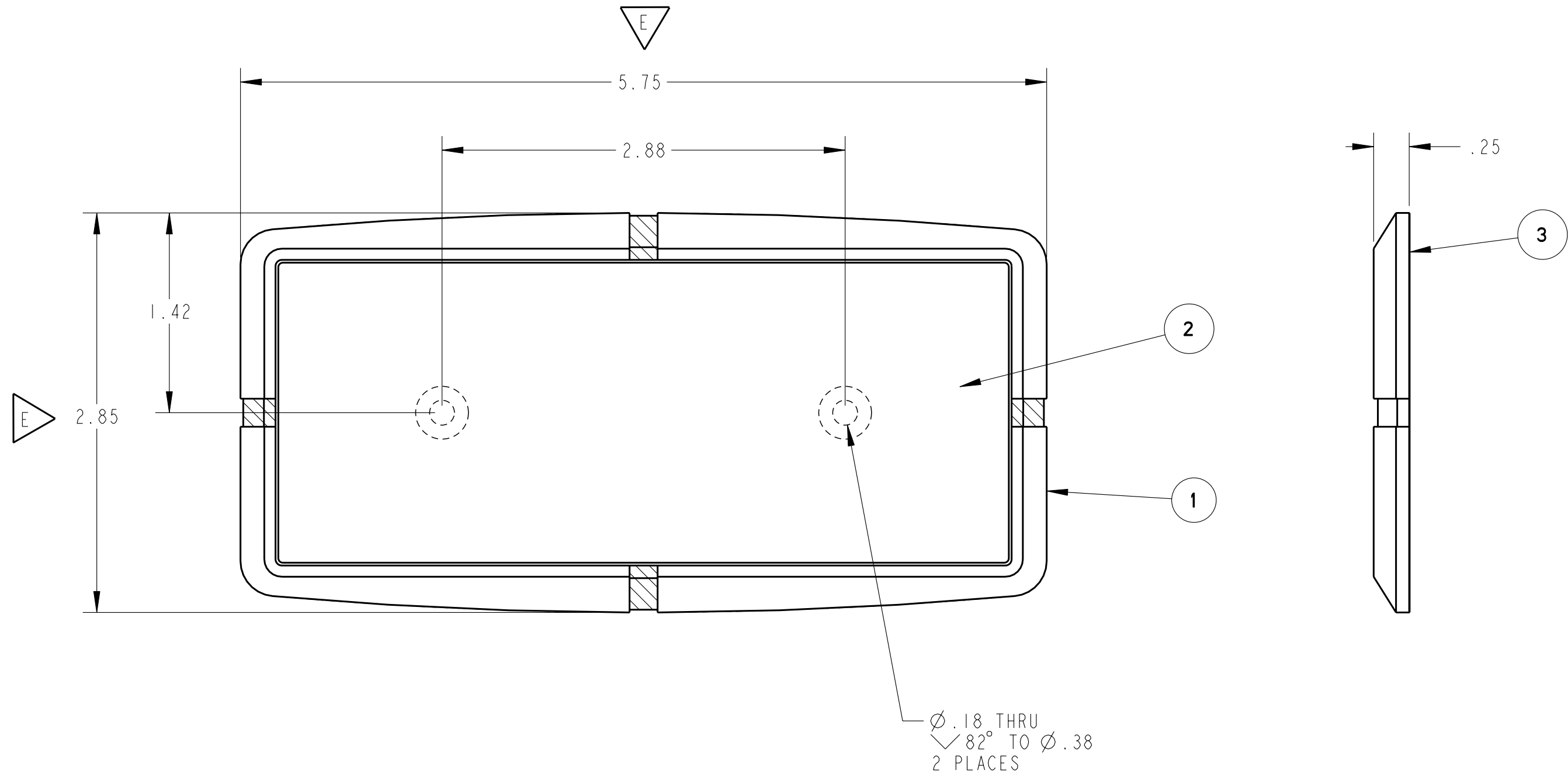


BILL OF MATERIAL						
ITEM	QTY PER	PART No.	CODE	DESCRIPTION	MAT'L	FIN WT EACH
1	1	3000574	MFG	BEZEL, MESSAGE - SIZE B	TBD	TBD
2	1	3000575	MFG	LABEL, MESSAGE BEZEL - SIZE B	TBD	TBD
3	1	3000580	MFG	ADHESIVE, MESSAGE BEZEL - SIZE B	TBD	TBD



MESSAGE LABEL TEXT  
 (PER IC MESSAGE LIST 2000022)

IC P/N 3000573-XXXX  
**NOMENCLATURE**

DESCRIPTION					
IC SWOOP SERIES IDENTIFICATION PRODUCT					
IC P/N 3000573-XXXX					
ASSEMBLY, LARGE MESSAGE BEZEL - SIZE B					
REV	BY	APP	CHANGE DESCRIPTION	DATE	
C	DLE	---	.29 WAS .34	03-27-03	
D	DLE	---	4.84 WAS 4.50; 2.40 WAS 2.44; .25 WAS .29	05-24-03	
E	DLE	---	5.75 WAS 4.84; 2.85 WAS 2.40	10-29-03	

**ic** INNOVATIVE CONTROLS, INC.  
 560 Braddock Avenue  
 East Pittsburgh, PA 15112  
 (412)-824-2264 FAX (412)-824-2339

SHEET 1 OF 1

REV  
**E** **3000573-C-E**

**IMPORTANT NOTE**

THIS DOCUMENT IS CONFIDENTIAL PROPERTY OF INNOVATIVE CONTROLS INC. IT IS NOT TO BE USED OR REPRODUCED IN ANY MANNER NOR SUBMITTED TO OTHER PARTIES FOR EXAMINATION WITHOUT THE PRIOR APPROVAL OF INNOVATIVE CONTROLS INC. ALL RIGHTS OF DESIGN AND INVENTION ARE RESERVED.

SHEET SIZE  
**B**

TOLERANCES  
 UNLESS OTHERWISE NOTED  
 .XX ± .01 .XXX ± .005  
 FRAC. ± 1/64 ANG. ± 1/2