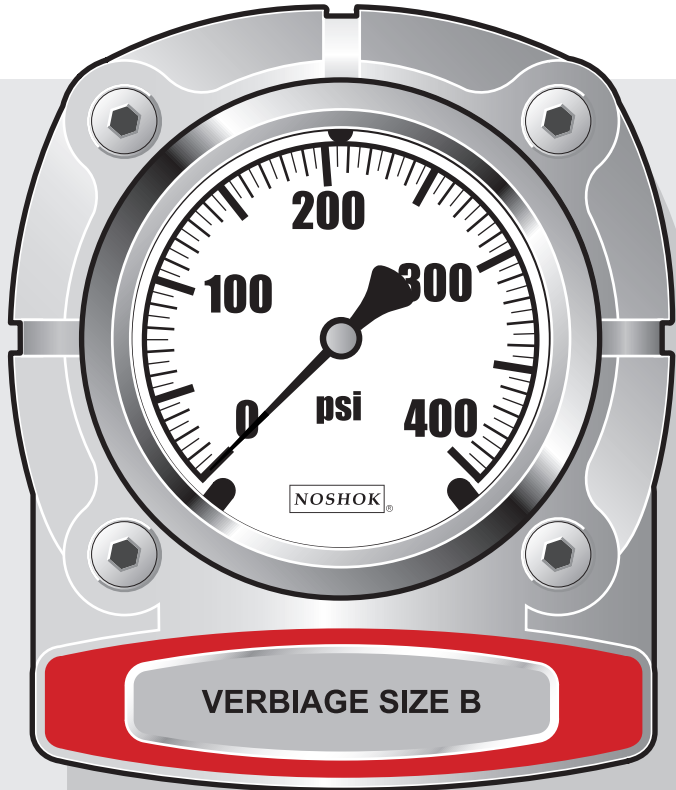
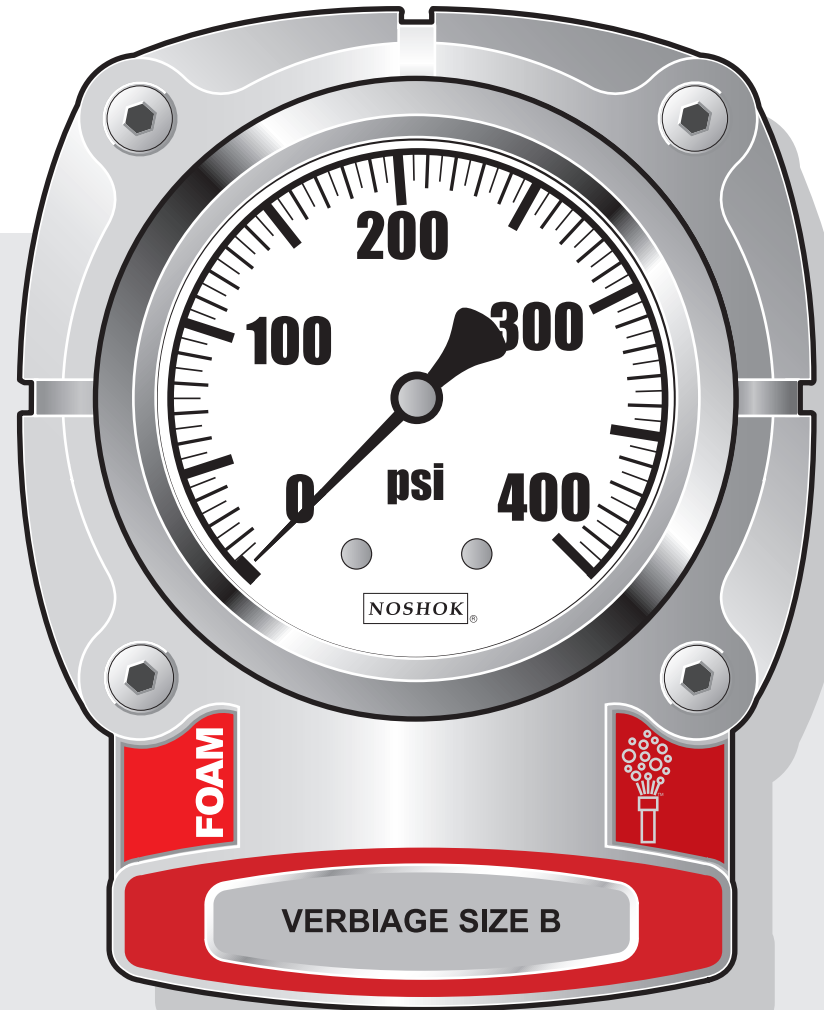


**Innovative Controls Inc.**  
**Gauge Bezels**



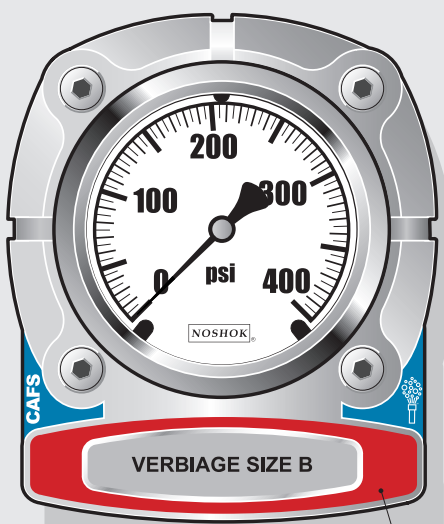
**2 1/2" Gauge Bezel  
Actual Size**



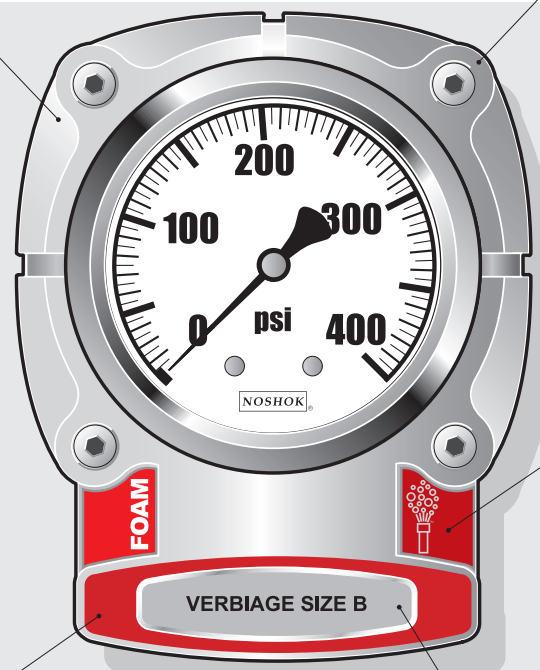
**3" Gauge Bezel  
Actual Size**

The zinc decorative mounting bezels are chrome plated to the most stringent SAE standards.

Gauge bezels can be delivered completely assembled, minimizing installation requirements to 4 mounting screws.



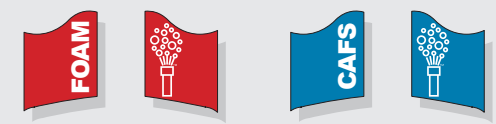
**2 1/2" Noshok Gauge Bezel**



**3" Noshok Gauge Bezel**

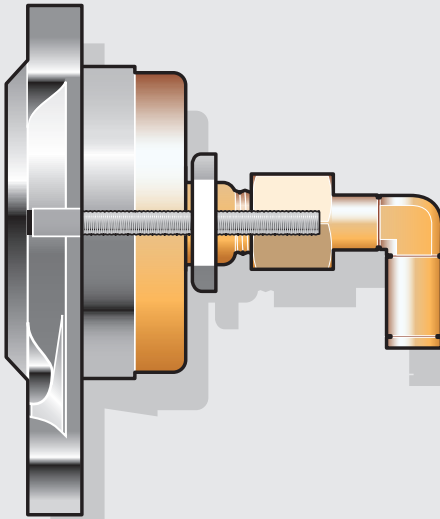
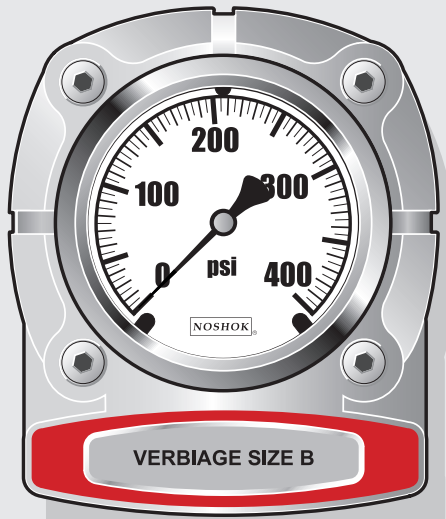


Optional FOAM or CAFS identifying labels can be installed in recessed areas on bezel.



Verbiage labels to clearly identify gauge.

Recess for color label. A wide range of colors are available for gauge identification.

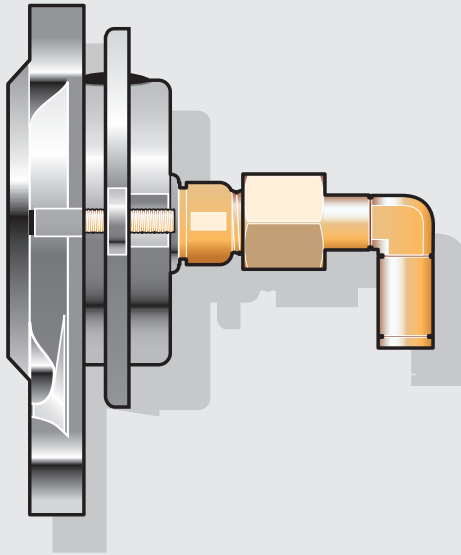
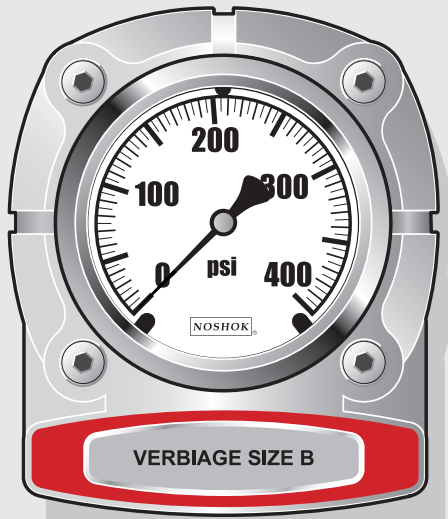


### Gauge Bezel Assembly

2 1/2" Noshok Brass Case Gauge  
90 Degree Brass Swivel Fitting  
Factory installed Color Label Kit

IC P/N 3001142-XX-XXXXX



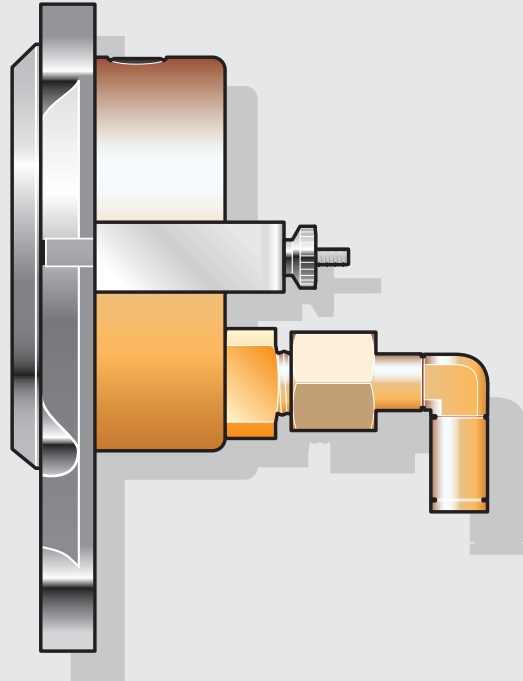
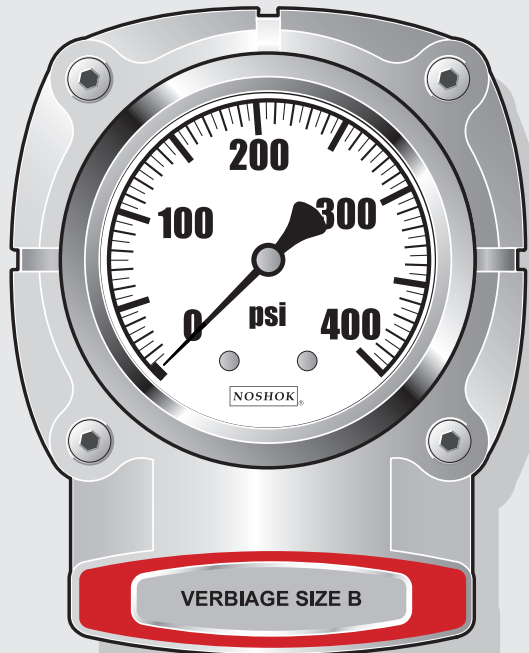


### Gauge Bezel Assembly

2 1/2" Noshok Brass Case Gauge  
90 Degree Brass Swivel Fitting  
Factory installed Color Label Kit

IC P/N 3001095-XX-XXXXX



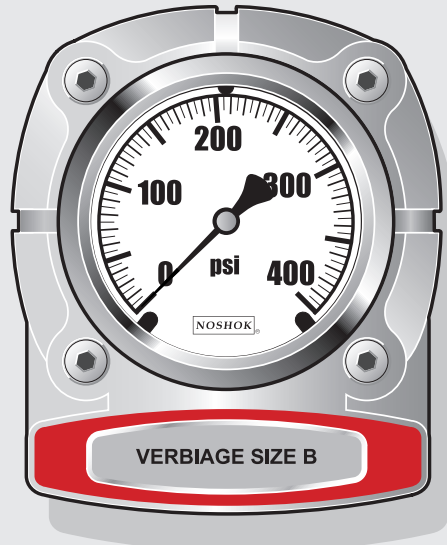


### Gauge Bezel Assembly

3" Noshok Brass Case Gauge  
90 Degree Brass Swivel Fitting  
Factory installed Color Label Kit

IC P/N 3001143-XX-XXXXX





**XXXXXXXX-XX-XXXXXX**

**Gauge & Bezel Size**

- 3001142 - 2.5" Brass Case
- 3001143 - 3.0" Brass Case
- 3001095 - 2.5" Stainless Steel Case

**Color**

- 01 Red
- 02 Orange
- 03 Yellow Label
- 04 Yellow/White
- 05 Mint Green
- 06 Lime Green
- 07 Olive
- 08 Green
- 09 Turquoise
- 10 Light Blue
- 11 Blue
- 12 Navy Blue
- 13 Lavender
- 14 Purple
- 15 Magenta
- 16 Burgundy
- 17 Beige
- 18 Rust
- 19 Brown
- 20 Silver
- 21 Platinum
- 22 Graphite
- 23 White
- 24 Black
- 25 Gold
- NC No Color

**Gauge Range and Background**

- 20100 - 0-400psi, white
- 20101 - 30"-400psi, white
- 20102 - 0-600psi, white
- 20103 - 30"-600psi, white
- 20105 - 0-400psi, black
- 20106 - 30"-400psi, black
- 20107 - 0-600psi, black
- 20108 - 30"-600psi, black