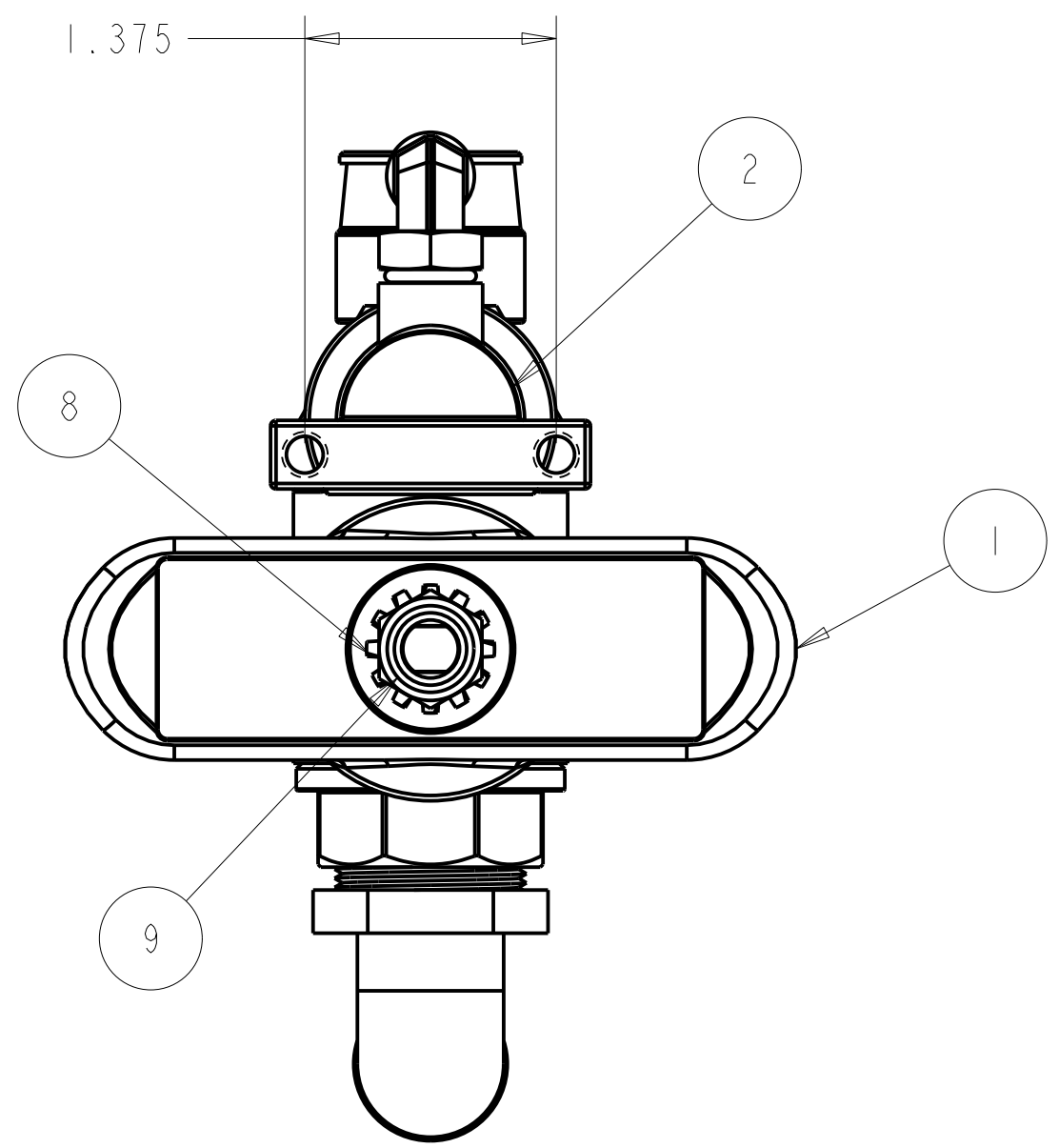
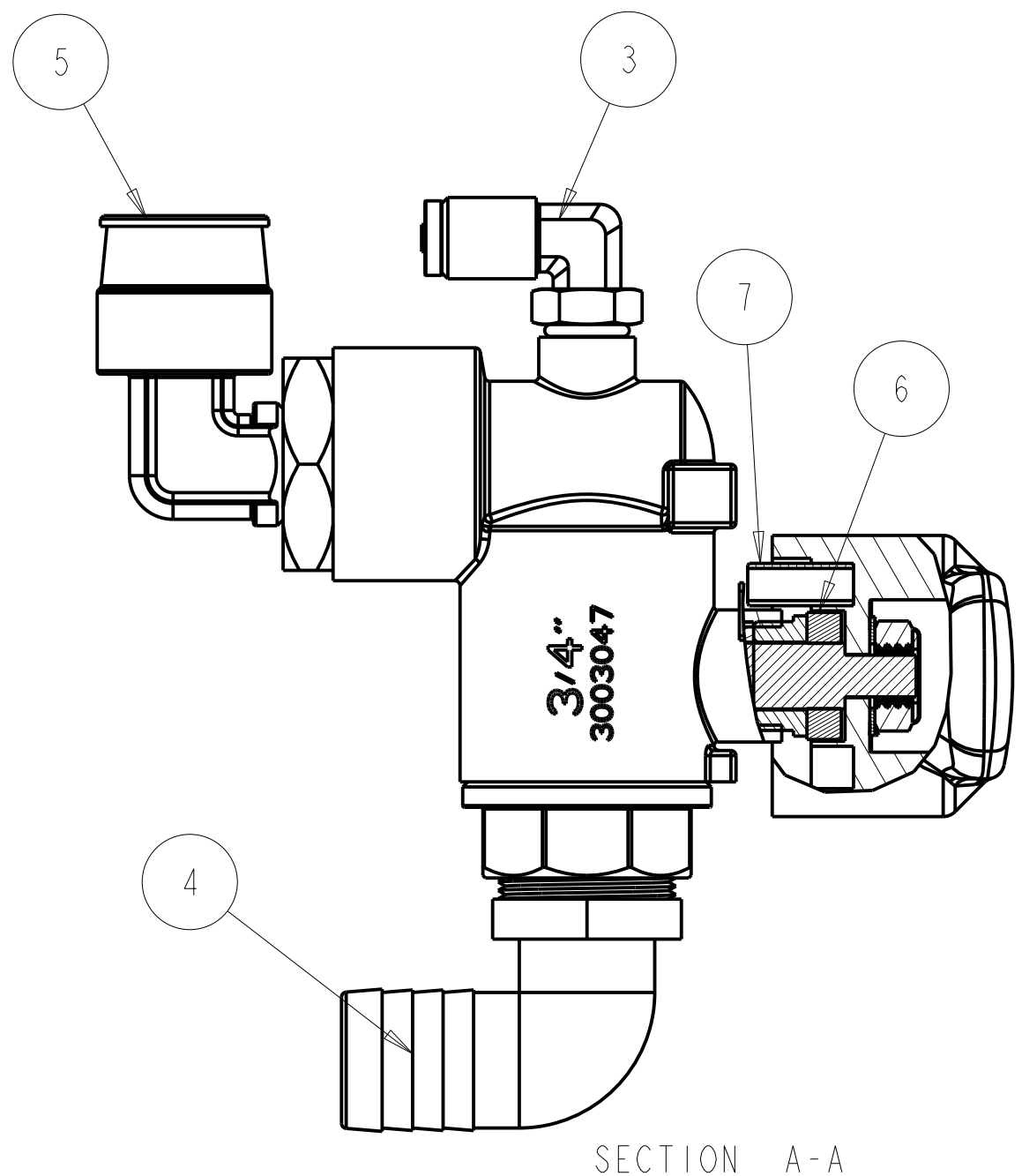


NOTES:

- 1) ITEMS 1, 8 & 9 SHIPPED LOOSE
- 2) SHIPPING BOX DIMENSIONS: 11 13/16" X 10 7/8" X 6 7/16"
 SHIPPING BOX INSERT DIMENSIONS: 10 3/4" X 11 11/16"
 QTY (12) PER BOX - (2) LAYERS OF (6) DRAIN VALVE ASSEMBLIES.

BILL OF MATERIAL					
ITEM	QTY PER	PART No.	CODE	DESCRIPTION	SUPPLIER PART No.
1	1	3002641	MFG	TWIST HANDLE, DRAIN VALVE, 3.00" X 1.00"	
2	1	3003047	MFG	3/4" DRAIN VALVE, 90 DEGREE, FRONT STEM	
3	1	3070212	MFG	FITTING, 1/4 OD TUBE X 1/8" NPT, 90 DEG SWIVEL ELBOW	
4	1	3070219	PUR	PLASTIC FITTING, 3/4 ID TUBE X 3/4-14 NPT, 90 DEG ELBOW	
5	1	3070310	PUR	DOT SWIVEL MALE ELBOW PUSH-IN FITTING (3/4 O.D. X 3/4" NPT)	
6	1	4050560	PUR	NYLON SPACER, 0.750 X 0.385 X 0.203	SPS-0750-0385-0203
7	2	4050608	PUR	SPLIT ROLL PIN, 1/4" DIA X 5/8", 18-8 SS	92373A247
8	1	4050816	PUR	3/8" S/S EXTERNAL TOOTH WASHER	
9	1	4050817	PUR	3/8"-16 S/S NYLON INSERT LOCK-NUT	



SECTION A-A

DESCRIPTION				
3/4" DRAIN VALVE W/ FLUSH TURN HANDLE (90 DEGREE BODY W/ FRONT STEM)				
REV	BY	APP	CHANGE DESCRIPTION	DATE
A	APC	---	INITIAL RELEASE	07-Oct-11
-	---	---	-	***-**-**
-	---	---	-	***-**-**

ic INNOVATIVE CONTROLS, INC.
 560 Braddock Avenue
 East Pittsburgh, PA 15112
 (412)-824-2264 FAX (412)-824-2339

SHEET 1 OF 1

REV
A **3003059-2-01-3**

IMPORTANT NOTE
 THIS DOCUMENT IS CONFIDENTIAL PROPERTY OF INNOVATIVE CONTROLS INC. IT IS NOT TO BE USED OR REPRODUCED IN ANY MANNER NOR SUBMITTED TO OTHER PARTIES FOR EXAMINATION WITHOUT THE PRIOR APPROVAL OF INNOVATIVE CONTROLS INC. ALL RIGHTS OF DESIGN AND INVENTION ARE RESERVED.

TOLERANCES
 UNLESS OTHERWISE NOTED
 .XX ± .01 .XXX ± .005
 FRAC. ± 1/64 ANG. ± 1/2

SHEET SIZE
B